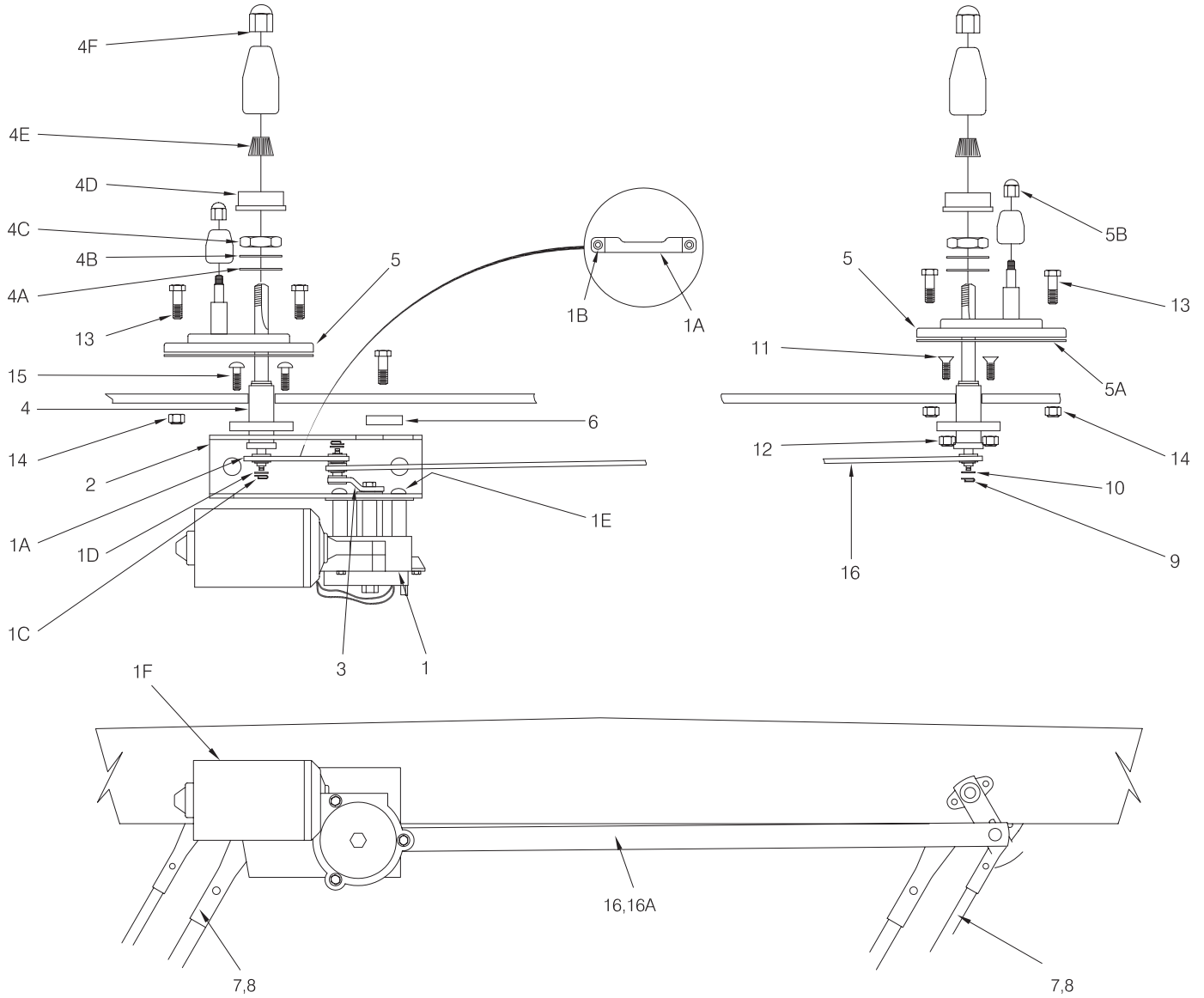


Windshield Wiper Installation



Item	Part No.	Qty	Description	Item	Part No.	Qty	Description
W10822 Windshield Wiper Installation							
1	230375	1	. Kit, Wiper Motor	5A	-----	1	. . Gasket
1A	236416	1	. . Connecting Link	5B	-----	1	. . Nut
1B	235613	2	. . . Bushing	6	557784	1	. . Spacer
1C	236753	2	. . Clip Spring	7	230923	2	. . Arm, Wiper
1D	236754	2	. . Spacing Washer	8	230924	2	. . Blade, Wiper
1E	-----	3	. . Fastening Screw	9	236753	1	. . Clip Spring
1F	234682	1	. . Motor, 24 volt	10	236754	1	. . Washer
2	565880	1	. . Bracket	11	223966	2	. . Capscrew
3	*a 224661	1	. . Arm, Drive	12	223799	2	. . Nut
	*b 235400	1	. . Arm, Drive	13	234136	5	. . Capscrew
4	224662	2	. . Shaft, Pivot	14	235620	3	. . Nut
4A	-----	1	. . Washer	15	00100768	2	. . Machine Screw
4B	-----	1	. . Washer	16	224664	1	. . Link, Pivot Shaft
4C	-----	1	. . Nut	16A	235613	2	. . Bushing
4D	-----	1	. . Cap				
4E	-----	1	. . Knurled Driver				
4F	-----	1	. . Nut				
5	230920	2	. . Adapter, Wiper				

*a Used on motors with flat-sided shaft
 *b Used on motors with round, tapered shaft