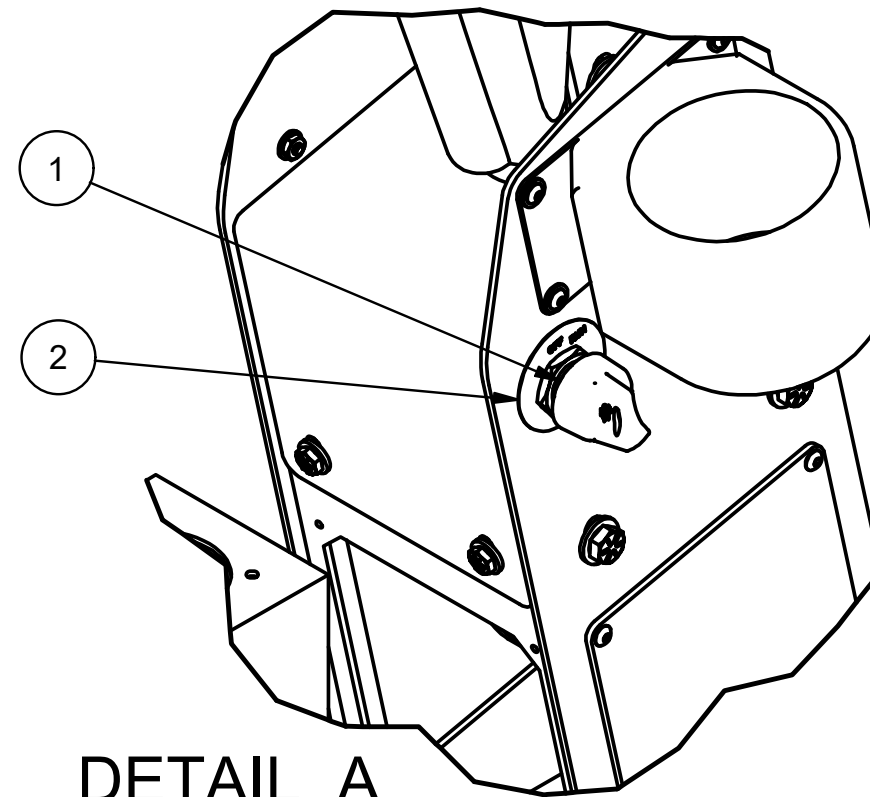
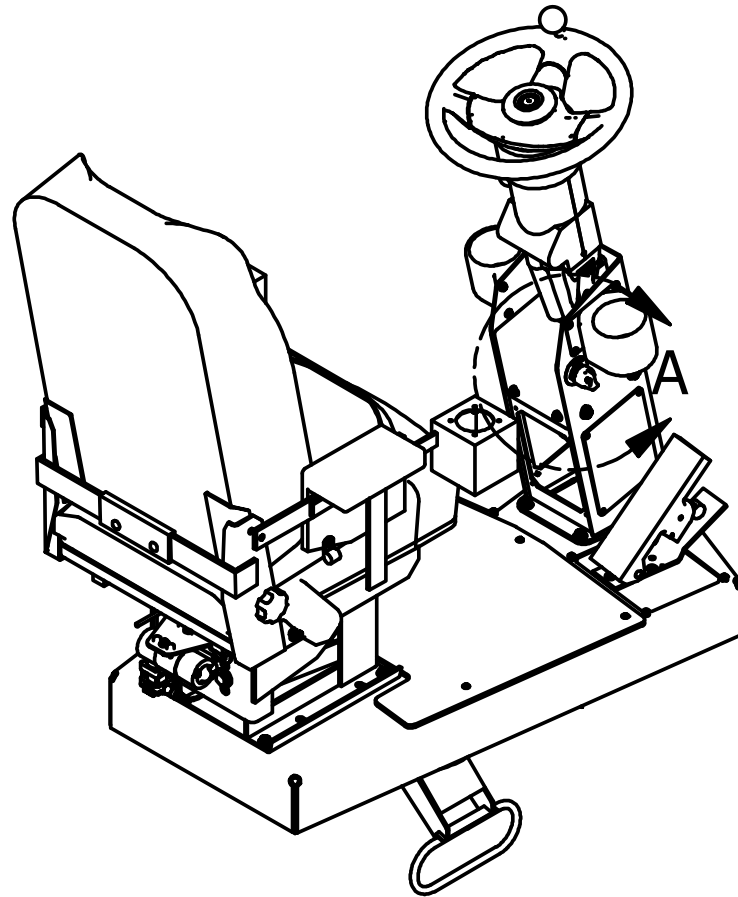


- REMOVE EXISTING 4 POSITION IGNITION SWITCH AND NAMEPLATE
- INSTALL 2 POSITION IGNITION SWITCH AND NAMEPLATE
- ENABLE ON SCREEN ENGINE START BUTTON ON WAGNER SMART SCREEN. SEE SERVICE INSTRUCTION 80-1228 IN SECTION 7-2 OF YOUR SERVICE MANUAL FOR INSTRUCTIONS.



DETAIL A

Item	Part No.	Qty	Description
	606833		Kit, Ignition Switch, 2-Position
1	606832	1	. Switch, Ignition w/Keys, 2-Position
2	606834	1	. Decal, Ignition 2-Position