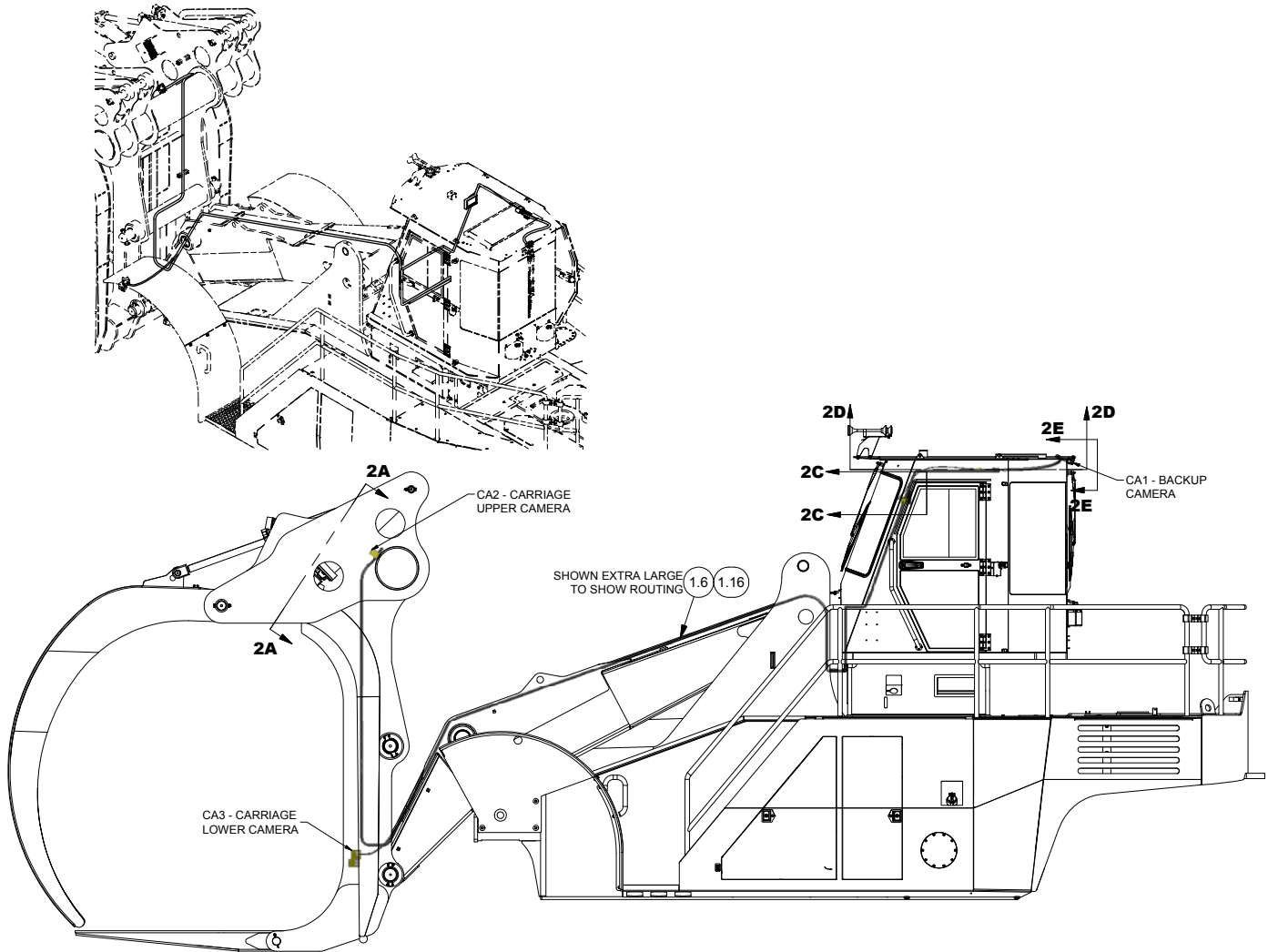


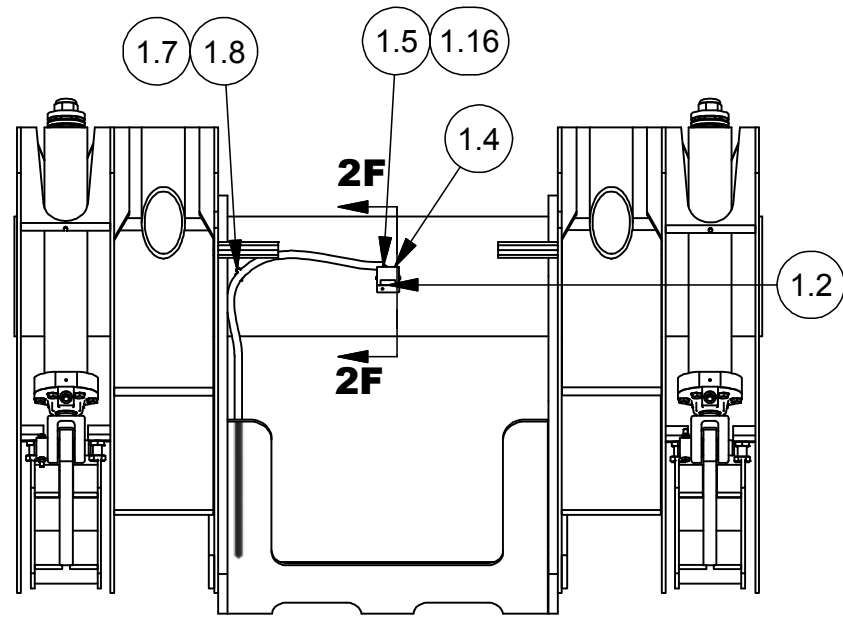
---

Camera/Monitor Installation

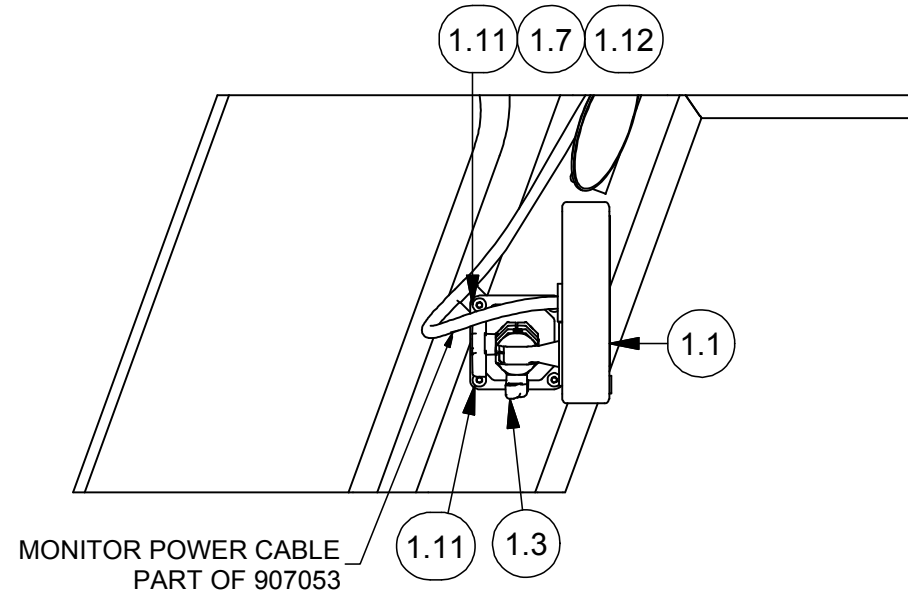
## Camera/Monitor Installation

Item	Part No.	Qty	Description	Item	Part No.	Qty	Description
<b>594304 Camera/Monitor Installation</b>							
1	907053	1	. Camera/Monitor	9	296418W	2	. Hard Washer
2	256612	1	. Camera	10	302400W	2	. Locknut
3	591879	1	. Bracket, Mounting	11	Y25G-(1024)10	4	. Capscrew
4	593295	1	. Mounting Weldment, Camera	12	R13809543	1	. Locknut
5	594316	1	. Cable, Camera	13	593540	1	. Adapter
6	591557	1	. Cable, Camera	14	593346	10	. Mount, Blk
7	R13803021	3	. Clip, Insul	15	242601	15	. Cable Tie
8	Y09C-M0820	6	. Capscrew	16	587019	50'	. Loom, Wire

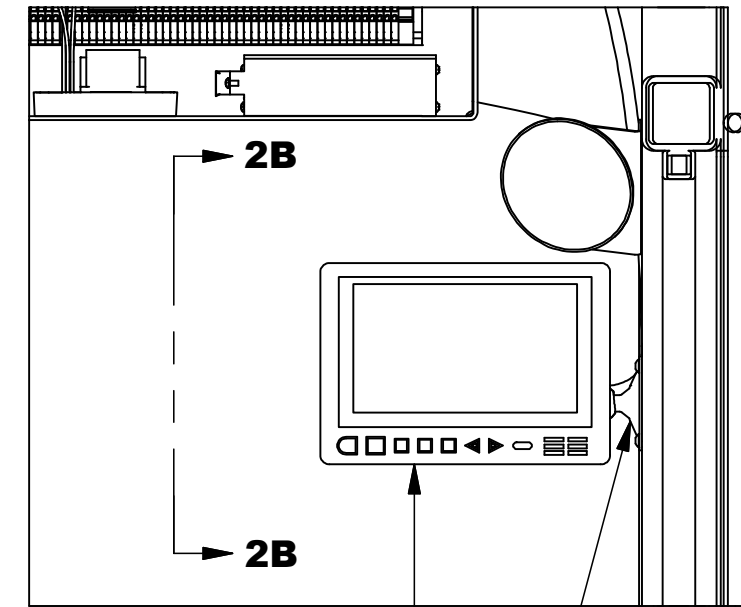




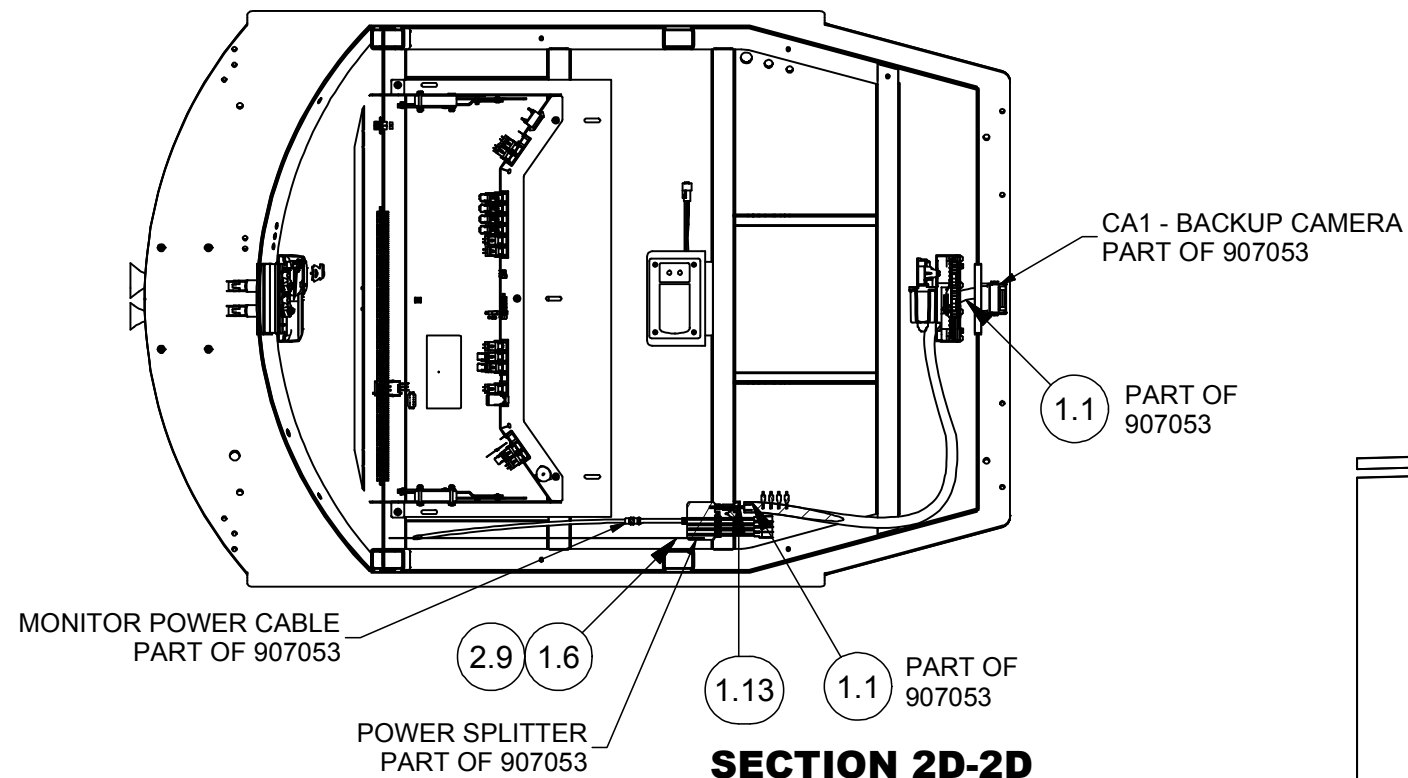
**SECTION 2A-2A**  
CARRIAGE UPPER CAMERA  
(VIEW ROTATED TO SQUARE UP)



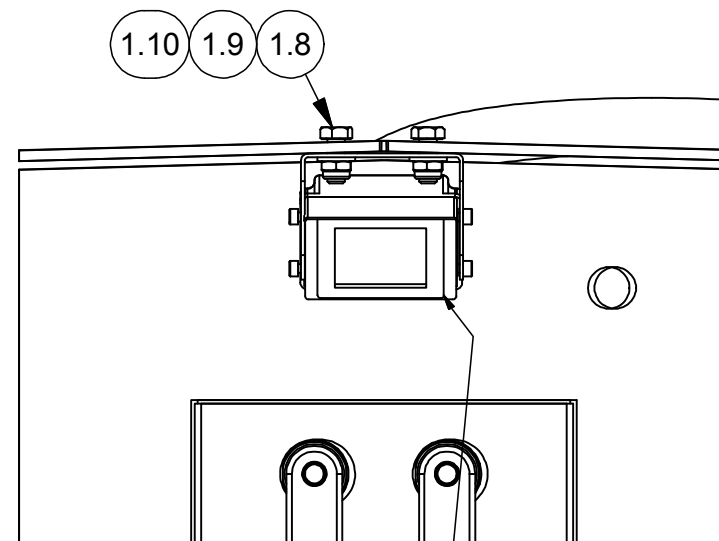
**SECTION 2B-2B**  
MONITOR MOUNTING



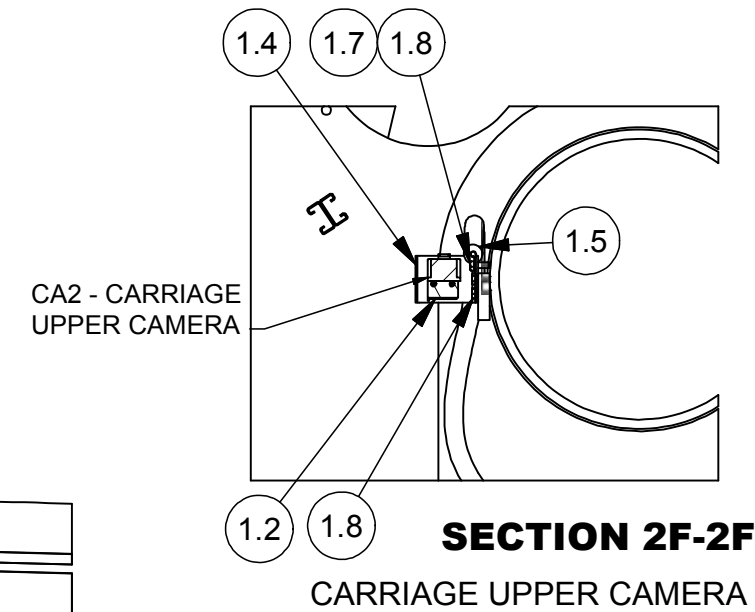
**SECTION 2C-2C**  
MONITOR



**SECTION 2D-2D**  
WIRES ROUTED UNDER  
BEAUTY PANEL

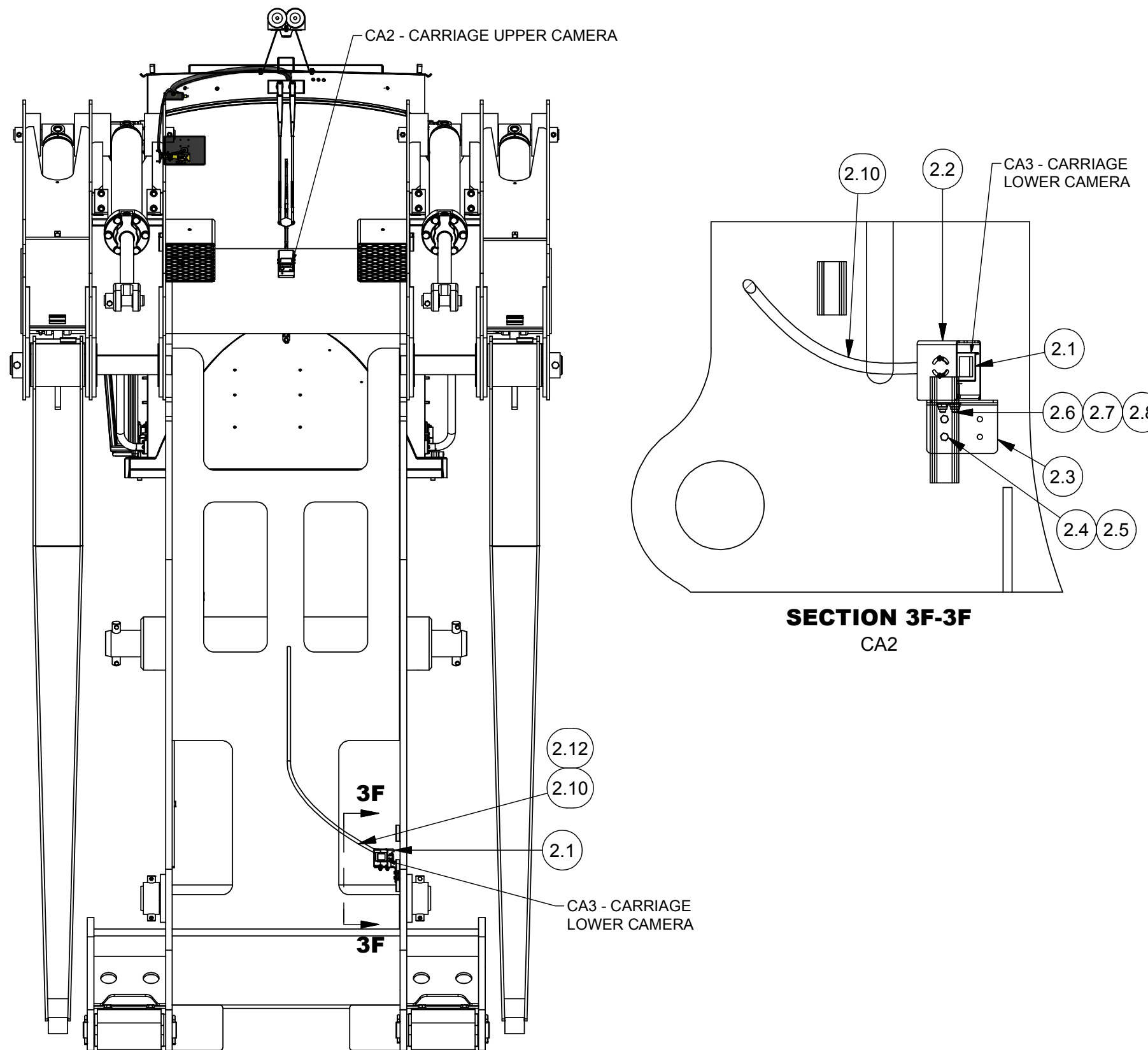


**VIEW 2E-2E**  
BACK-UP CAMERA



**SECTION 2F-2F**  
CARRIAGE UPPER CAMERA

A



**CARRIAGE VIEW**  
SOME COMPONENTS REMOVED FOR CLARITY

A

Rev: 10/15  
Page 4 of 4