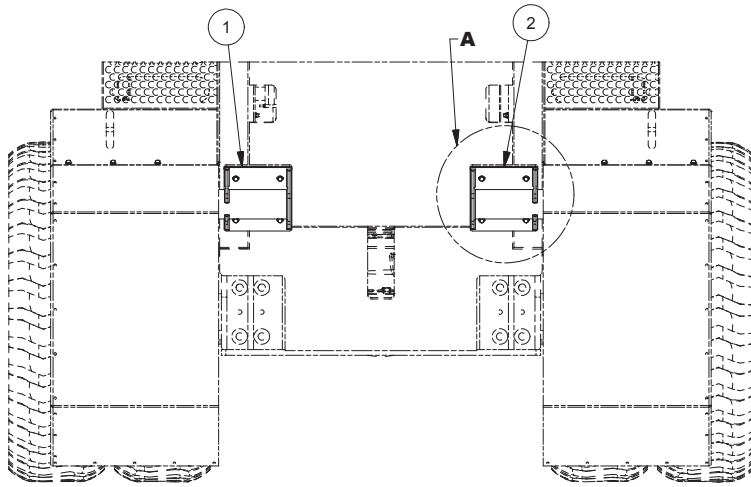
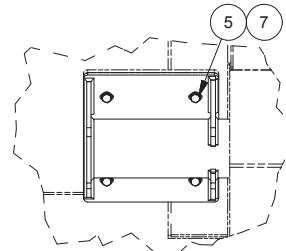


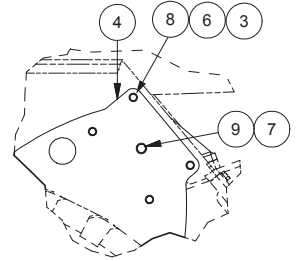
Optional Rock Kickers



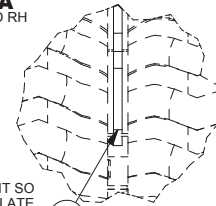
NOTE:
 1. WHEEL GUARDS AND SOME OTHER COMPONENTS FROM THE CHASSIS HAS BEEN REMOVED FOR CLARITY
 2. TORQUE HARDWARE PER 80-1057



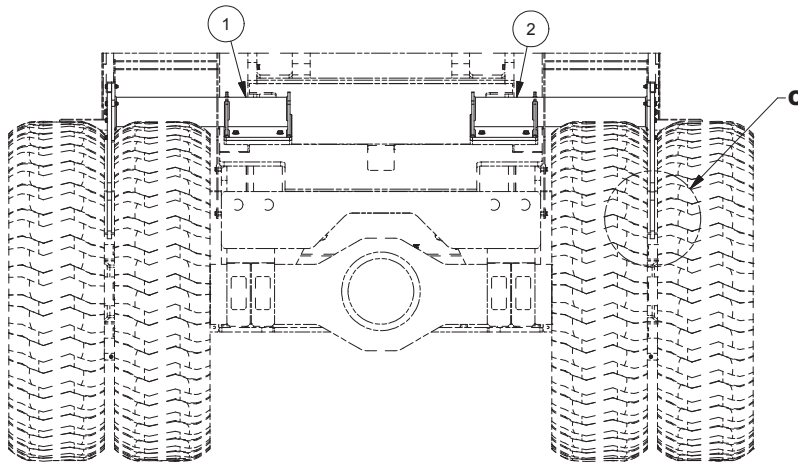
DETAIL A
TYP FOR LH AND RH



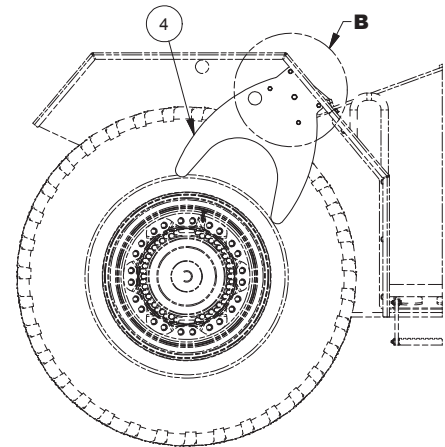
DETAIL B
TYP FOR LH AND RH



POSITION WELDMENT SO THAT ROCK KICKER PLATE IS IN THE MIDDLE OF THE TWO TIRES
DETAIL C
TYP FOR LH AND RH



FENDERS REVMOVED FOR CLARITY



OUTSIDE TIRE REMOVED FOR CLARITY

Item	Part No.	Qty	Description	Item	Part No.	Qty	Description
	594288		Opt - Rock Kickers				
1	594714	1	. Weldment, RH Arm	5	Y19C-M1645	8	. Capscrew
2	594825	1	. Weldment, LH Rock Kicker	6	296422W	8	. Hard Washer
3	302402W	8	. Locknut	7	296426W	10	. Hard Washer
4	594711	2	. Plate, Rock Kicker	8	232386	8	. Capscrew
				9	248985	2	. Capscrew