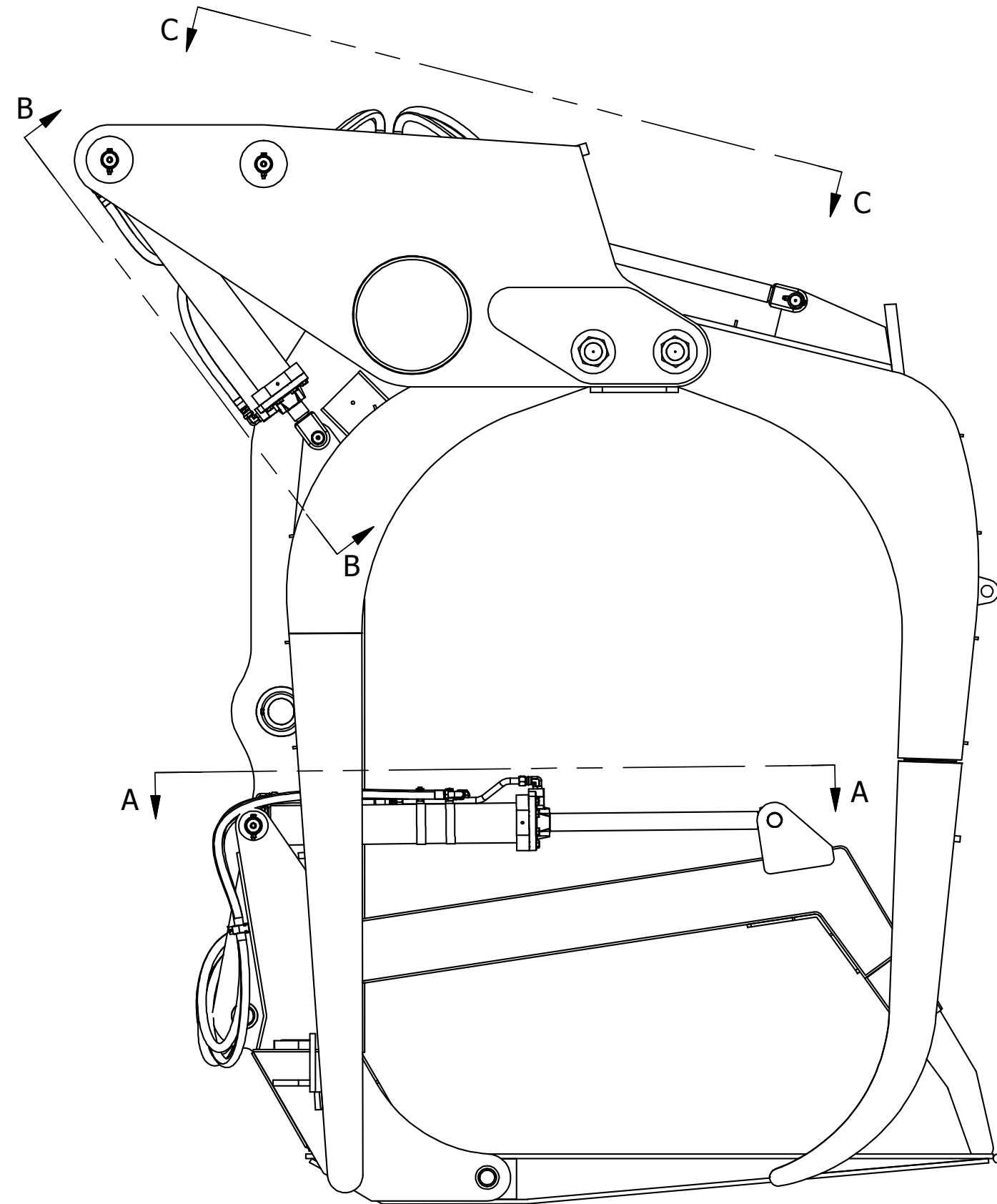
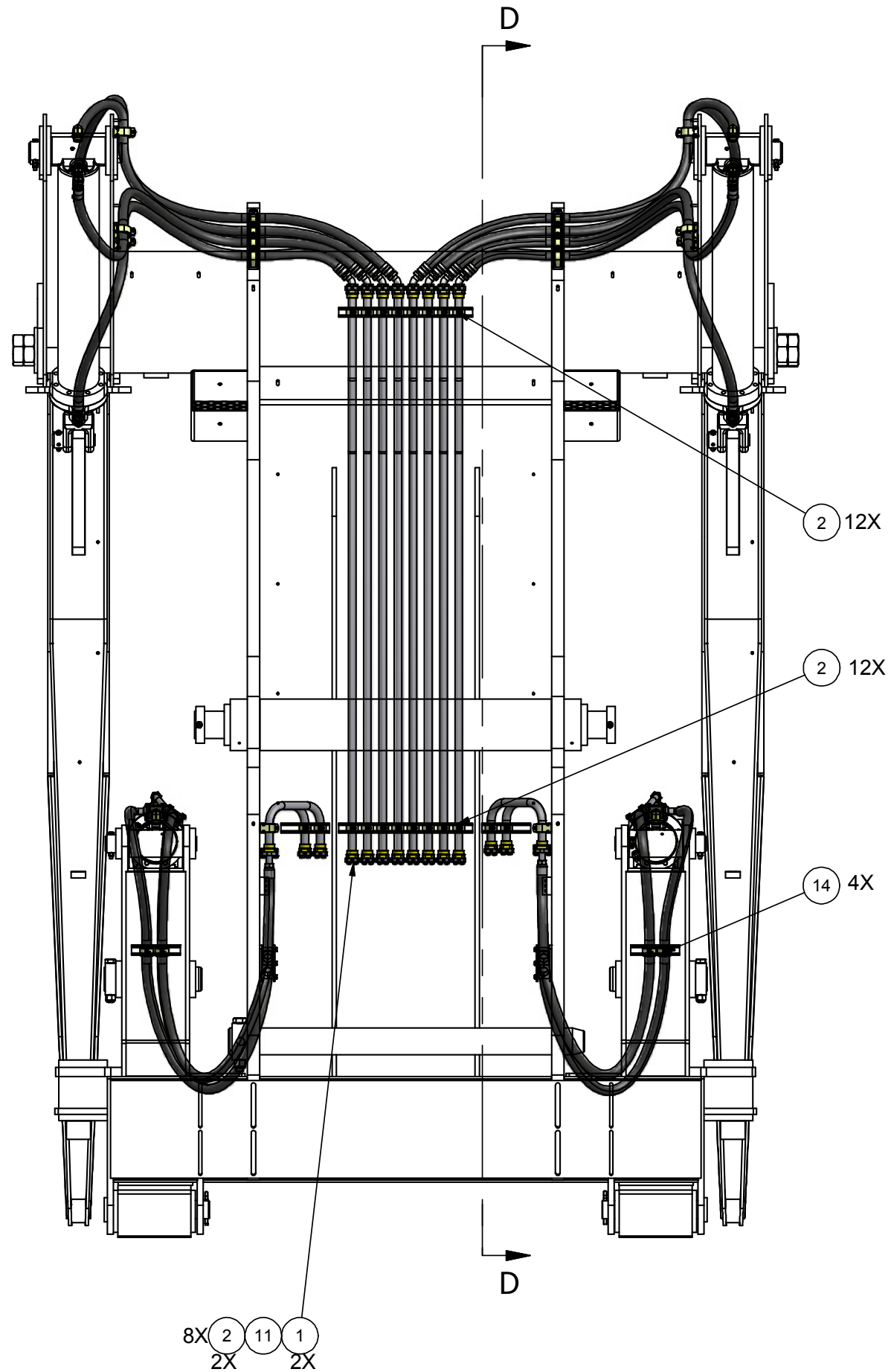
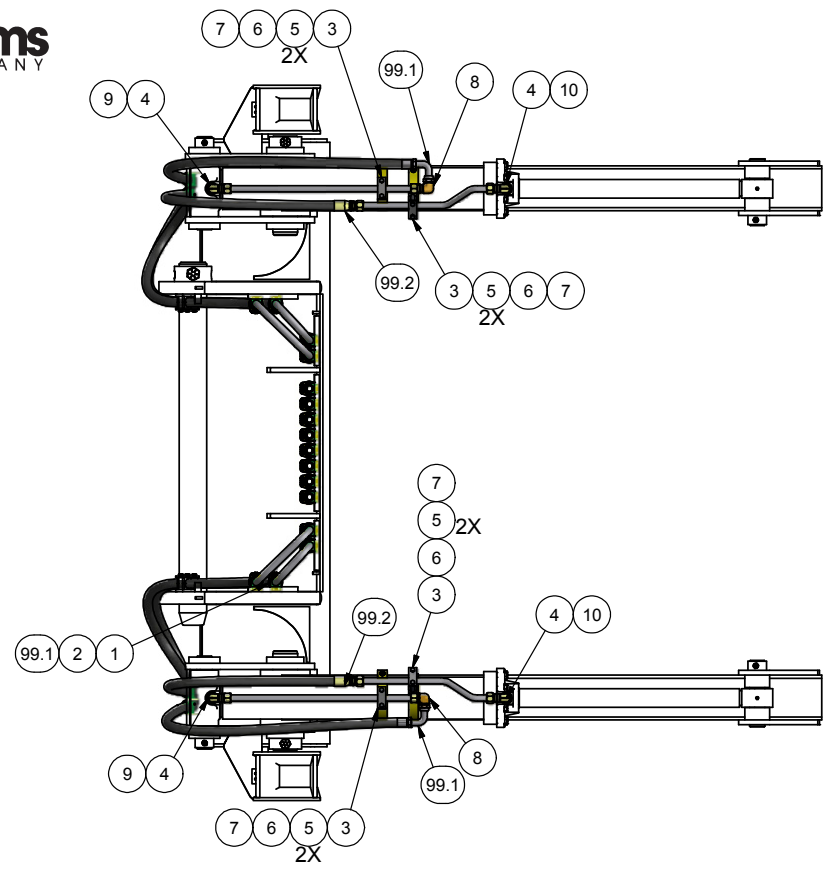

Hydraulic System - Carriage

Hydraulic System - Carriage

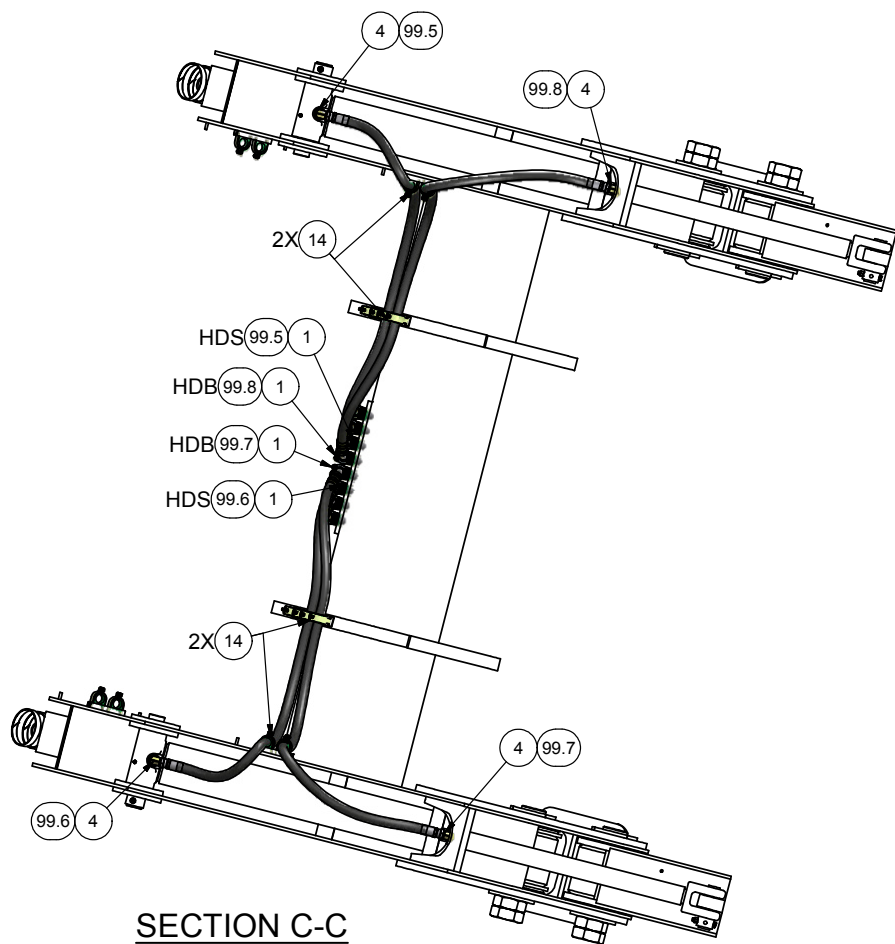
Item	Part No.	Qty	Description	Item	Part No.	Qty	Description
	594106		Hydraulic System-Carriage				
1	11759	24	. Kit, Split Flange	13	590655	2	. Tube Weldment, Hydraulic
	203443	1	.. O-Ring	14	231248	20	. Clamp, Hydraulicra-Zorb
2	231249	24	. Clamp, Hydraulicra-Zorb	99	594322	1	. Kit, Hose
3	562456	4	. Clamp Weldment	99.1	591801	2	.. Hose Assembly
4	209715	12	. Fitting	99.2	591800	2	.. Hose Assembly
5	221767W	8	. Hard Washer	99.5	595312	1	.. Hose Assembly
6	R13811191	4	. Locknut	99.6	595312	1	.. Hose Assembly
7	Y17C-0624	4	. Capscrew	99.7	591797	1	.. Hose Assembly
8	210069	2	. Fitting	99.8	591797	1	.. Hose Assembly
9	574191	2	. Tube Assembly	99.9	595311	1	.. Hose Assembly
10	566573	2	. Tube Assembly	99.10	595311	1	.. Hose Assembly
11	590636	8	. Tube Weldment, Hydraulic	99.11	591797	1	.. Hose Assembly
12	590652	2	. Tube Weldment, Hydraulic	99.12	591797	1	.. Hose Assembly

NOTE: HOSE LENGTHS FOR PLACE HOLDER HOSES
ARE TO BE SYMETRICAL ABOUT THE CARRIAGE.

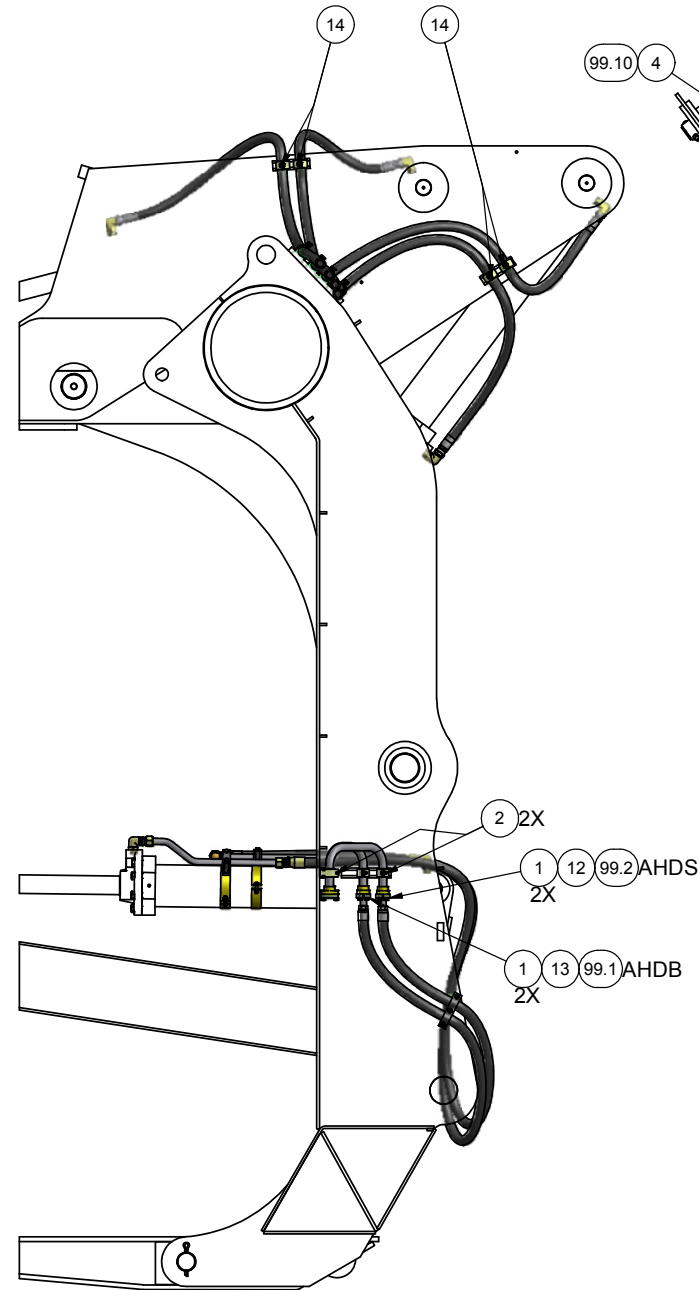




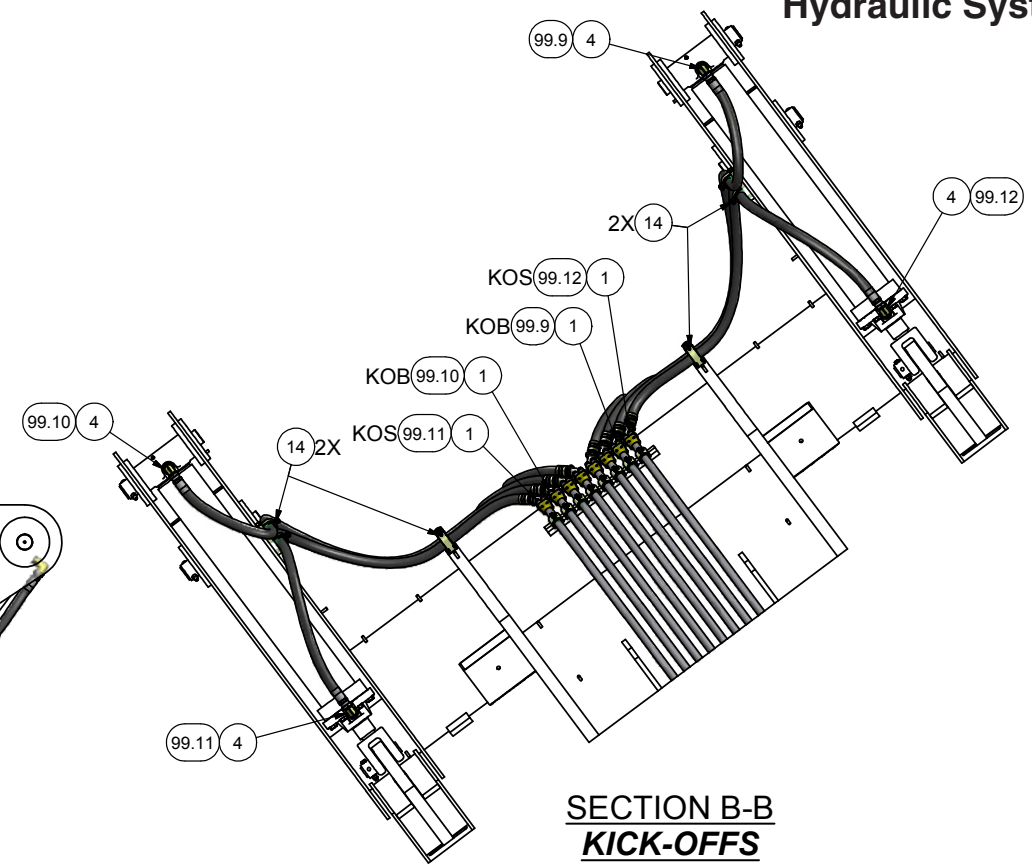
SECTION A-A
AUX. HOLDDOWNS



SECTION C-C
HOLDDOWNS



SECTION D-D
BOTH SIDES



SECTION B-B
KICK-OFFS