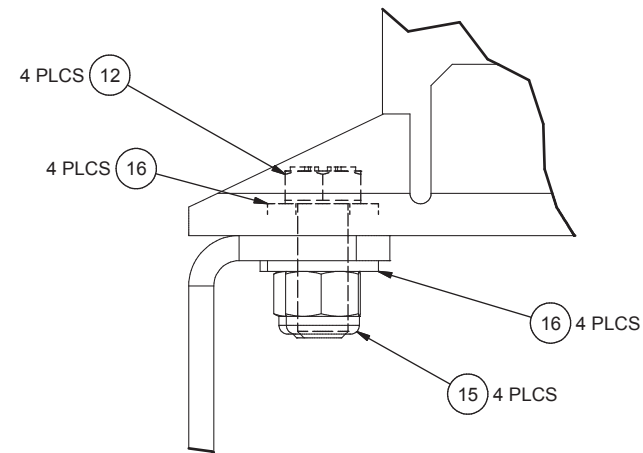

Seat Assembly

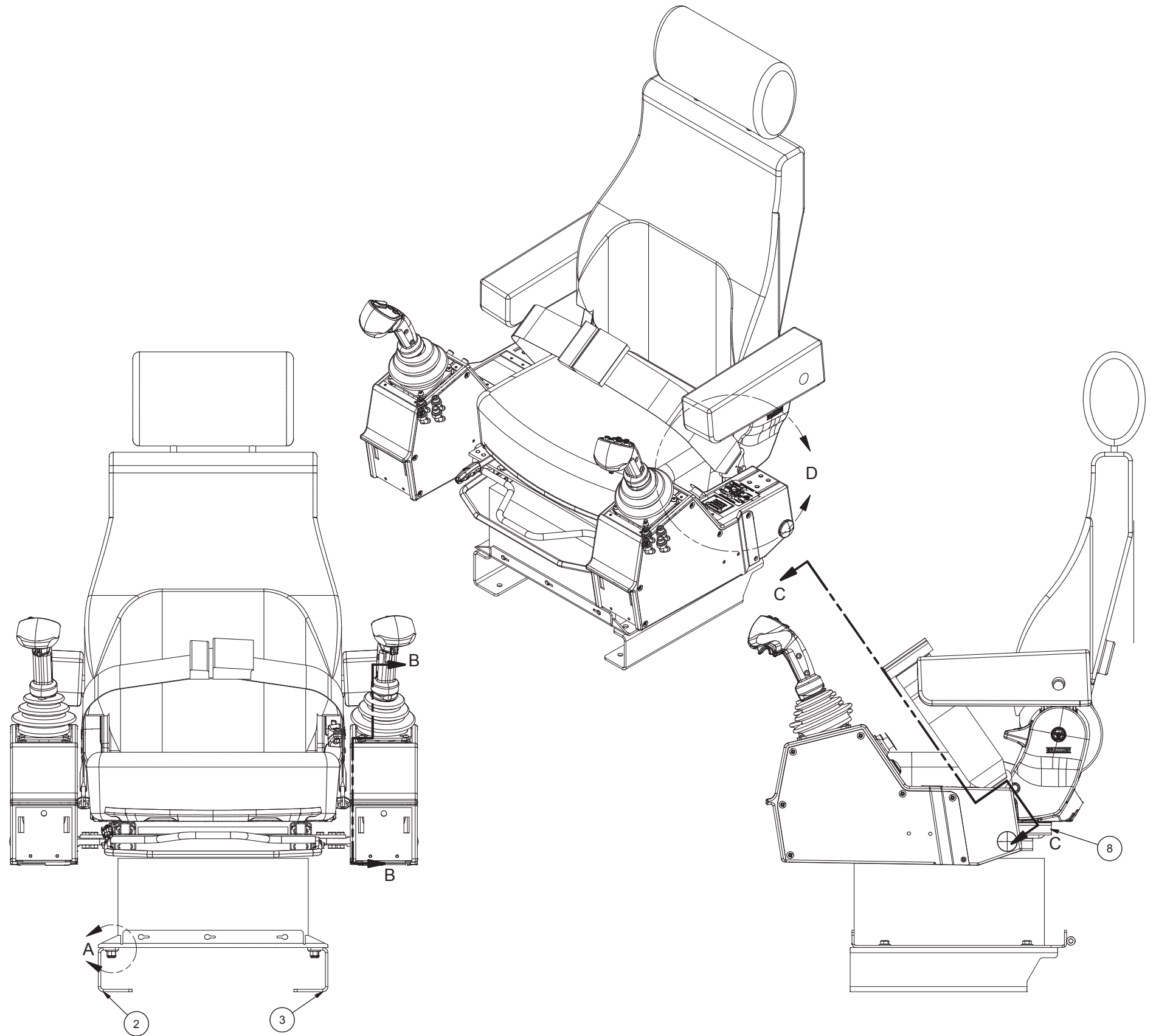
Seat Assembly

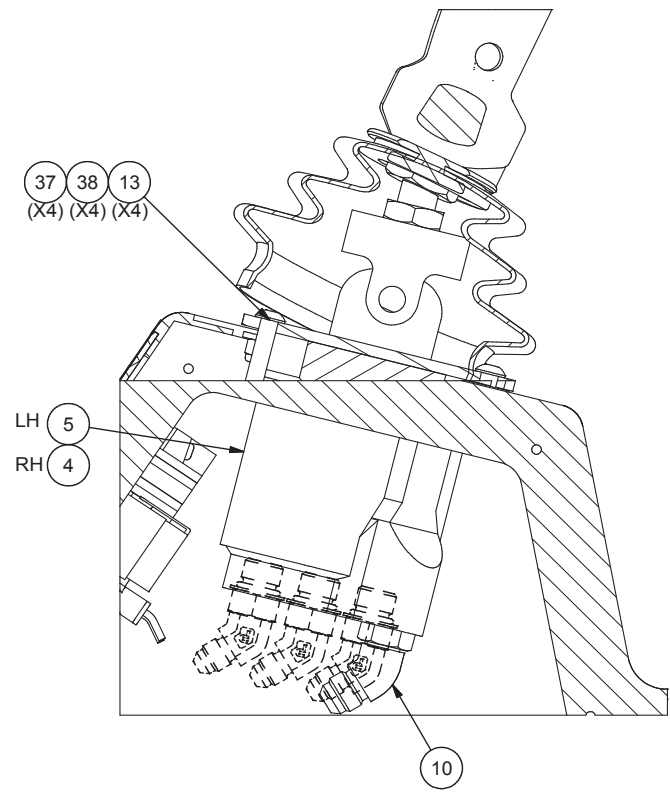
Item	Part No.	Qty	Description	Item	Part No.	Qty	Description
	594104		Seat Assembly				
1	* 593423	1	. Seat		236901	1	. . Bulb
2	586709	1	. Plate, RH Mounting	23	236488	1	. Switch, On/Off/On
3	586710	1	. Plate, LH Mounting	24	580119	1	. Decal
4	* 591833	1	. . Joystick, 5-Button 1-Rocker	25	578530	1	. Decal
5	* 594321	1	. . Joystick, 2-Button 1-Slider 1 Trigger	26	576690	1	. Decal
6	230886	1	. Light Bulb	27	236504	2	. Lens, Green
8	588899	1	. Wire Harness, Seat	28	243472	1	. Symbol, Switch
10	209482	4	. Fitting	29	237495	1	. Symbol, Out-Of-Gear
11	236825	8	. Fitting	30	591834	1	. Decal, Joystick
12	Y17C-0616	4	. Capscrew	31	215096	1	. Belt, Safety
13	Y25G-0416	8	. Capscrew	32	589080	1	. Hardware
15	R13811191	4	. Locknut	34	587017	2	. Plug, Blanking
16	221767W	8	. Hard Washer	35	594233	1	. Decal
17	225649	1	. Light, Reducer Panel	36	578966	1	. Decal
18	234264	1	. Control Unit	37	221763W	8	. Washer
19	589081	1	. Decal	38	R13811189	8	. Locknut
20	589082	1	. Decal	39	234737	4	. Housing, Socket
21	234740	1	. Frame, Mounting	40	234738	4	. Housing, Socket
22	234736	3	. Switch, 24V	41	NA	0	. Button, Push
	234508	1	. . Socket	42	NA	0	. Nameplate; Right Brake
				43	NA	0	. Nameplate; Left Brake

* See Separate Coverage
NA Not Applicable

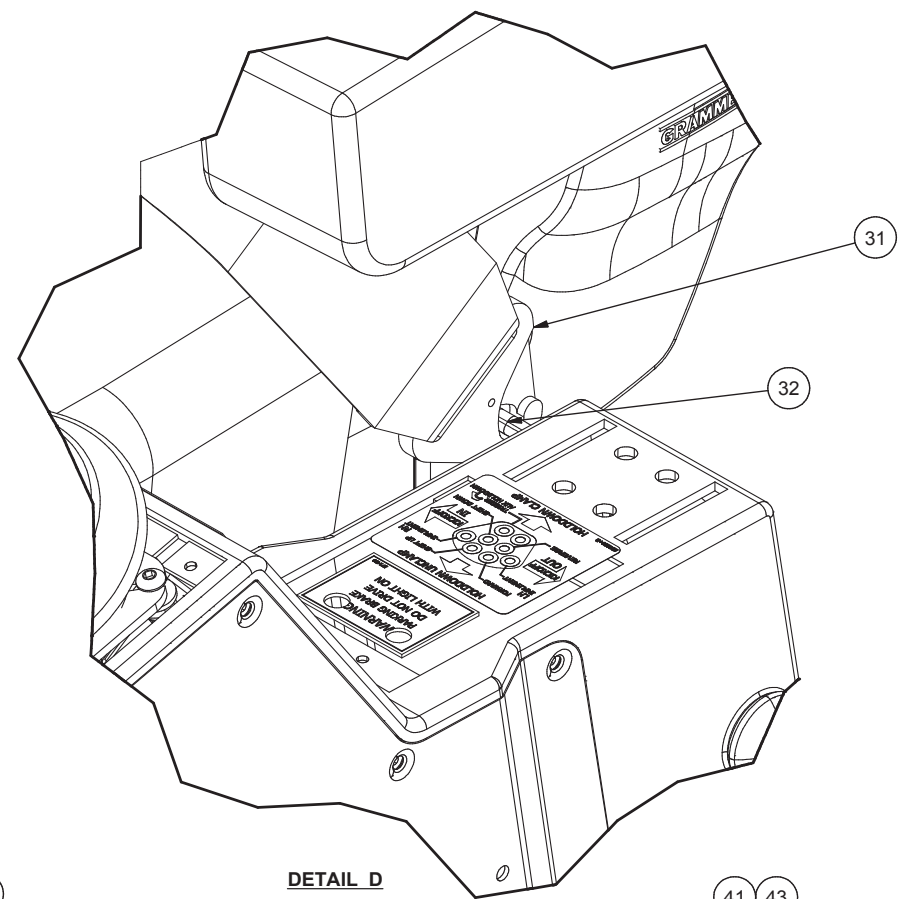


DETAIL A

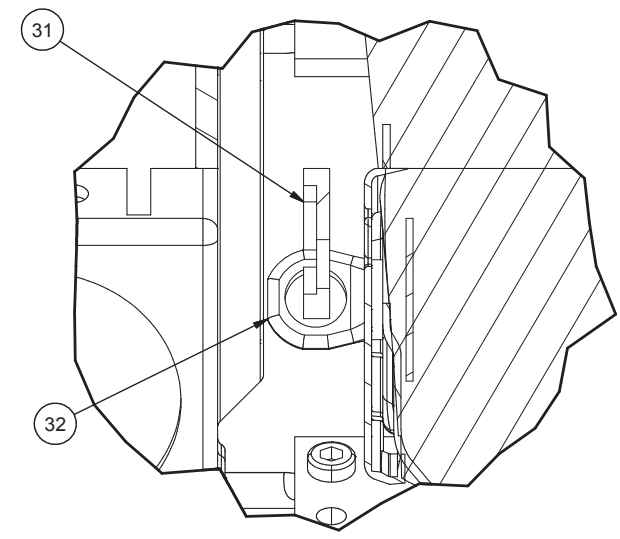




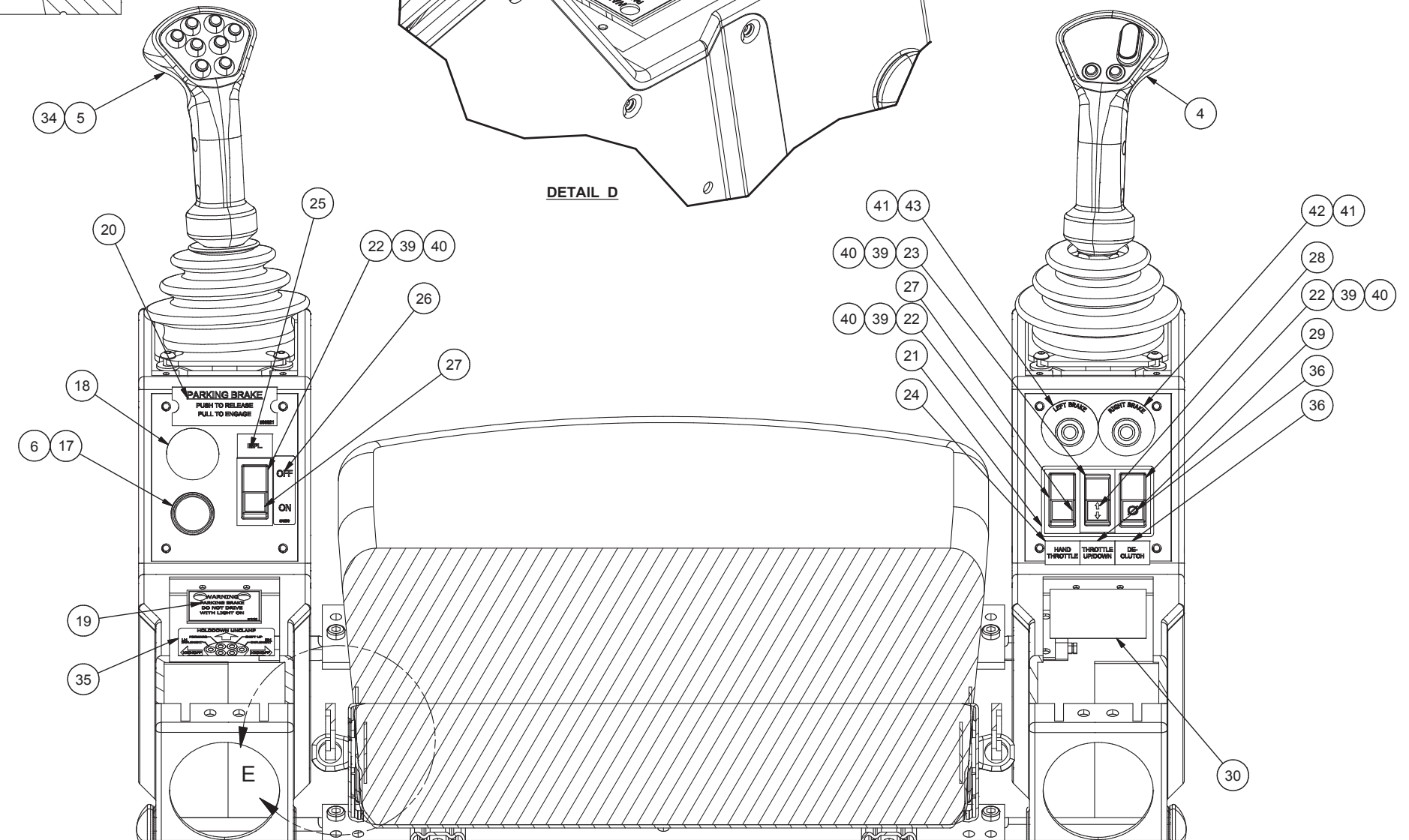
**SECTION B-B
TYP BOTH SIDES**



DETAIL D



DETAIL E



SECTION C-C

BT