

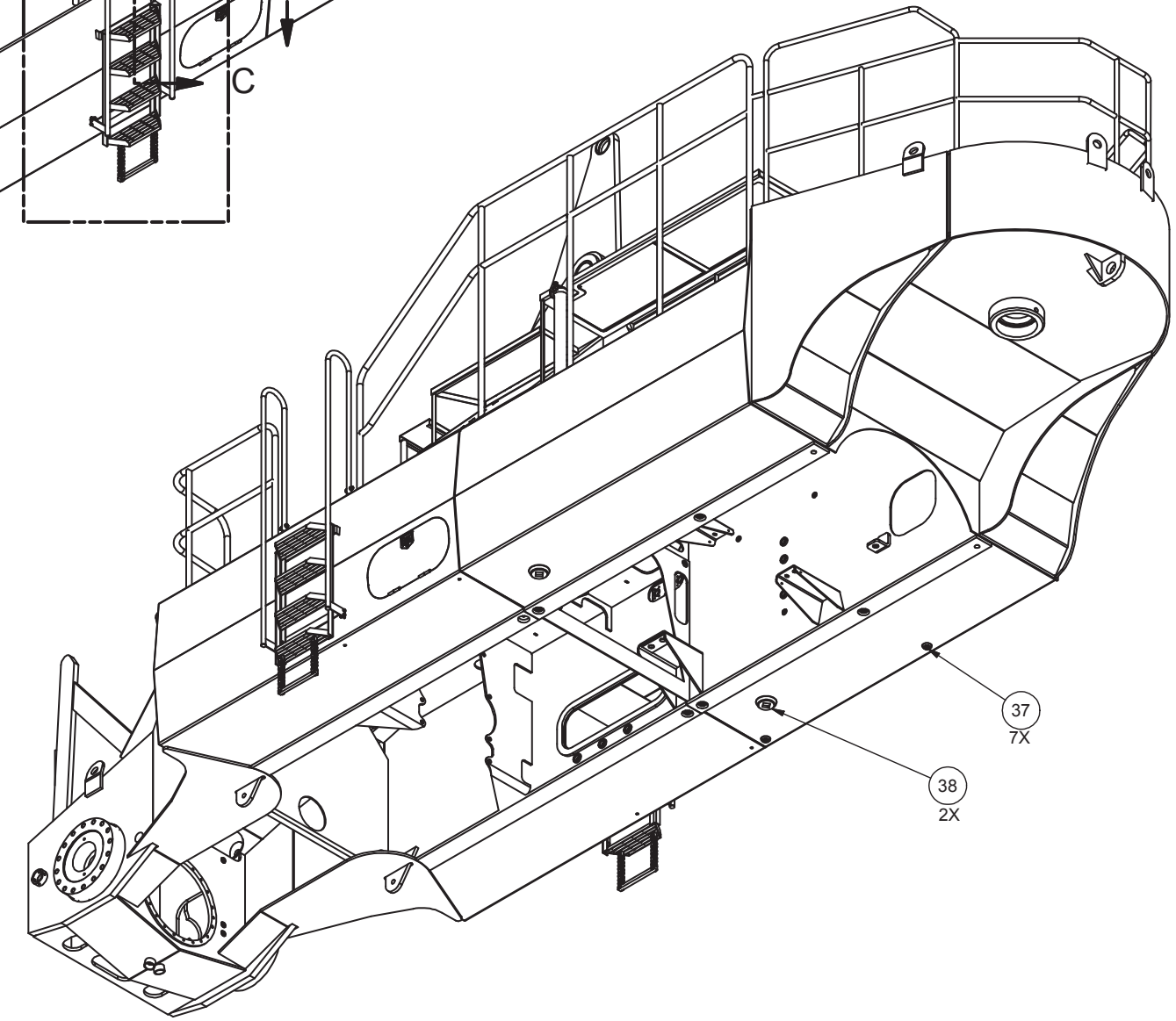
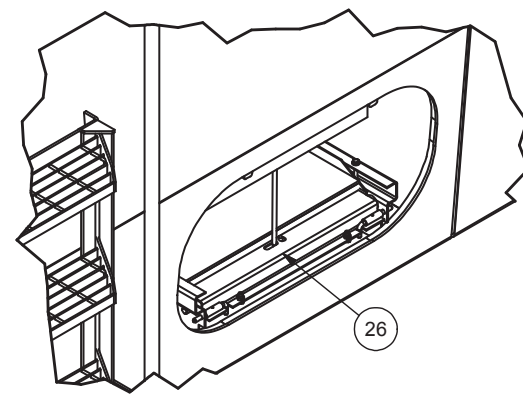
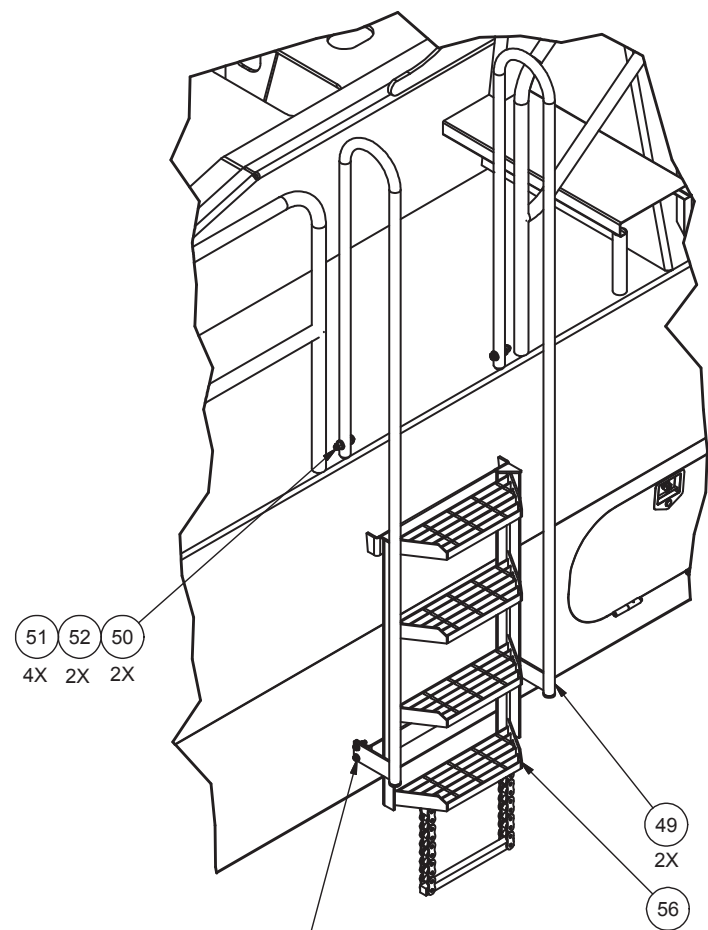
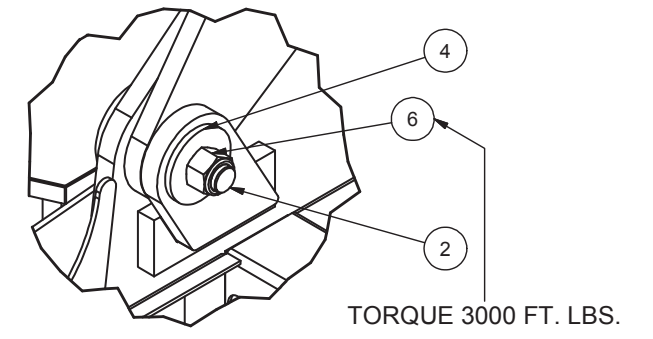
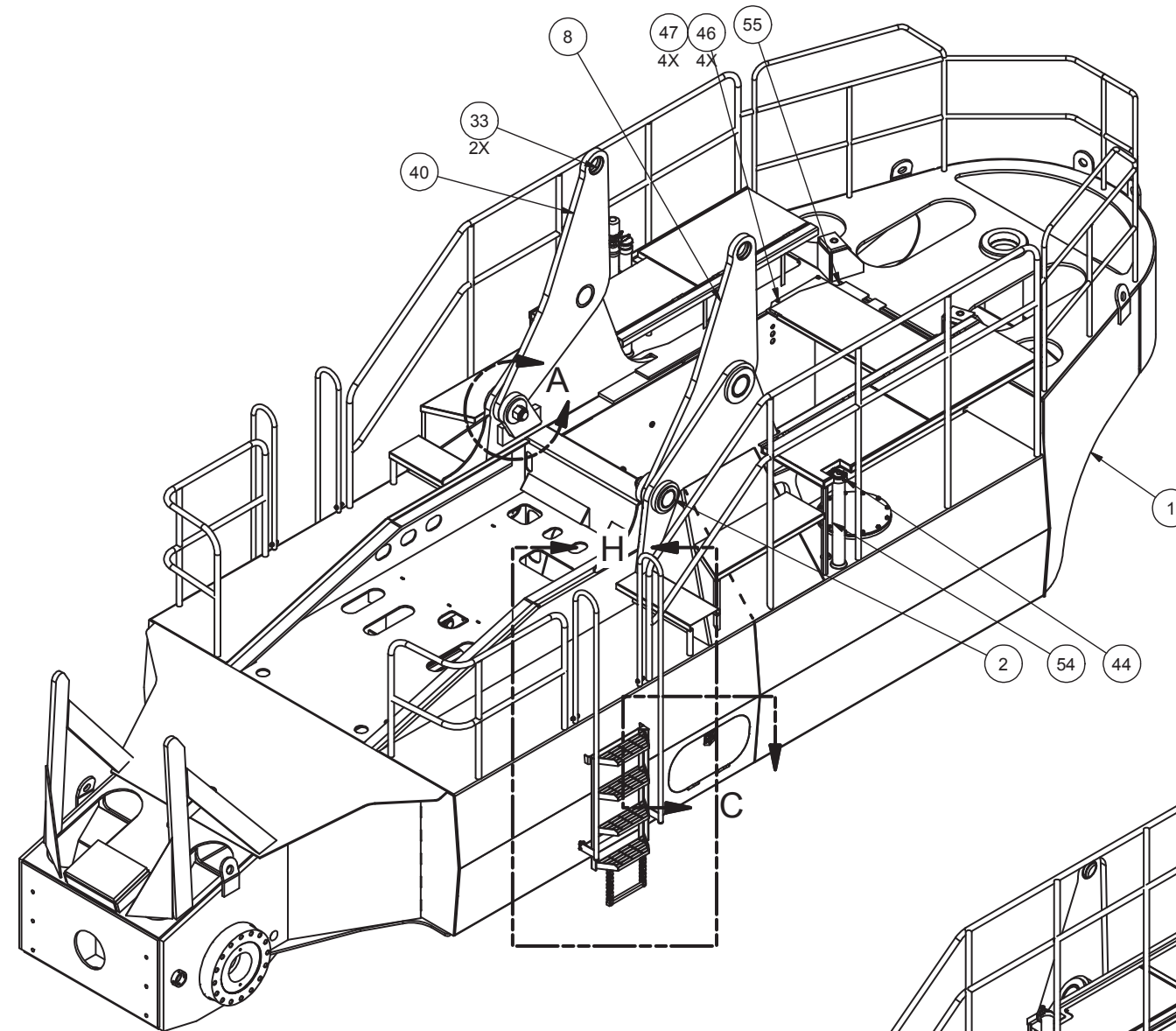
---

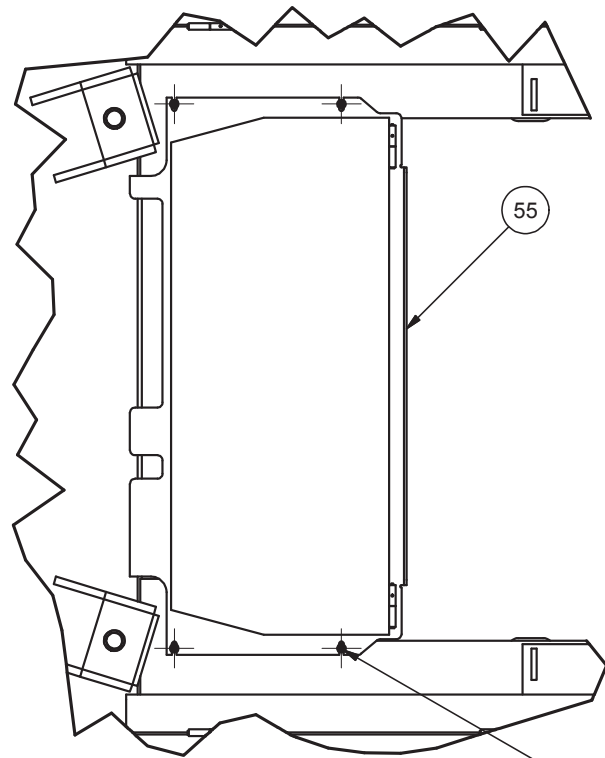
Chassis Assembly

## Chassis Assembly

Item	Part No.	Qty	Description	Item	Part No.	Qty	Description
	<b>591301</b>		<b>Chassis Assembly</b>				
1	591302	1	. Chassis	31	234307	2	. U-Bolt
2	577031	2	. Pin	32	504541	1	. U-Bolt
4	581517	2	. Washer	33	565059	2	. Bushing
6	234394	2	. Nut, ESNA	37	238659	7	. Plug, Magnetic
8	577296	1	. Plate, LH Stab	38	227378	2	. Fitting
9	224744	1	. Filler, Breather	40	577297	1	. Plate, RH Stab
10	209509	1	. Fitting	42	R13811189	2	. Locknut
11	209159	1	. Fitting	43	221703W	2	. Hex Nut
12	209505	1	. Fitting	44	587278	1	. Fill, Fuel Tank
13	211398	1	. Draincock	46	R13811191	16	. Locknut
14	581897	1	. Nipple, Fuel Fill	47	221767W	32	. Hard Washer
15	251714	1	. Filler Neck	49	562841	4	. Handrail
16	R14340	1	. Strainer	50	Y01C-0840	4	. Capscrew
17	R1917921	1	. Cap	51	221771W	8	. Washer
18	562966	1	. Dipstick	52	R13811193	4	. Locknut
26	* 582455	1	. Battery Box Installation	54	591932	1	. Nipple, Fuel Fill
27	572534	1	. Bar	55	592330	1	. Grate, Rear
28	15086W	4	. Jam Nut	56	563186	2	. Step
30	571646	1	. Tube, Dip Stick	57	Y01C-0624	12	. Capscrew

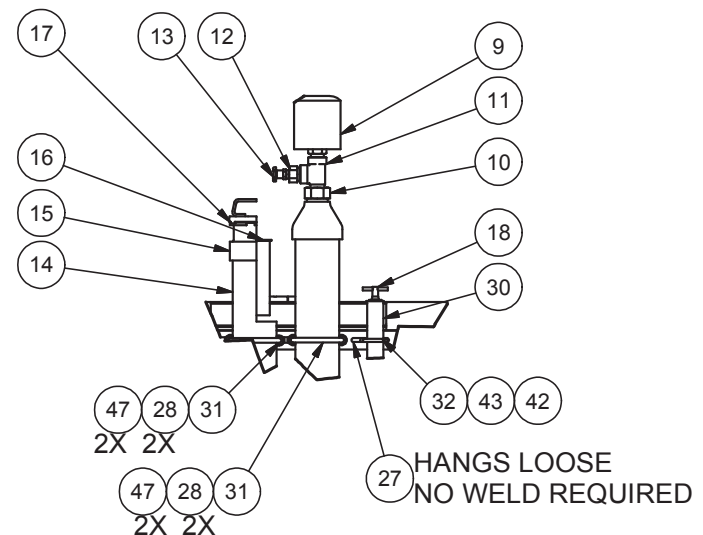
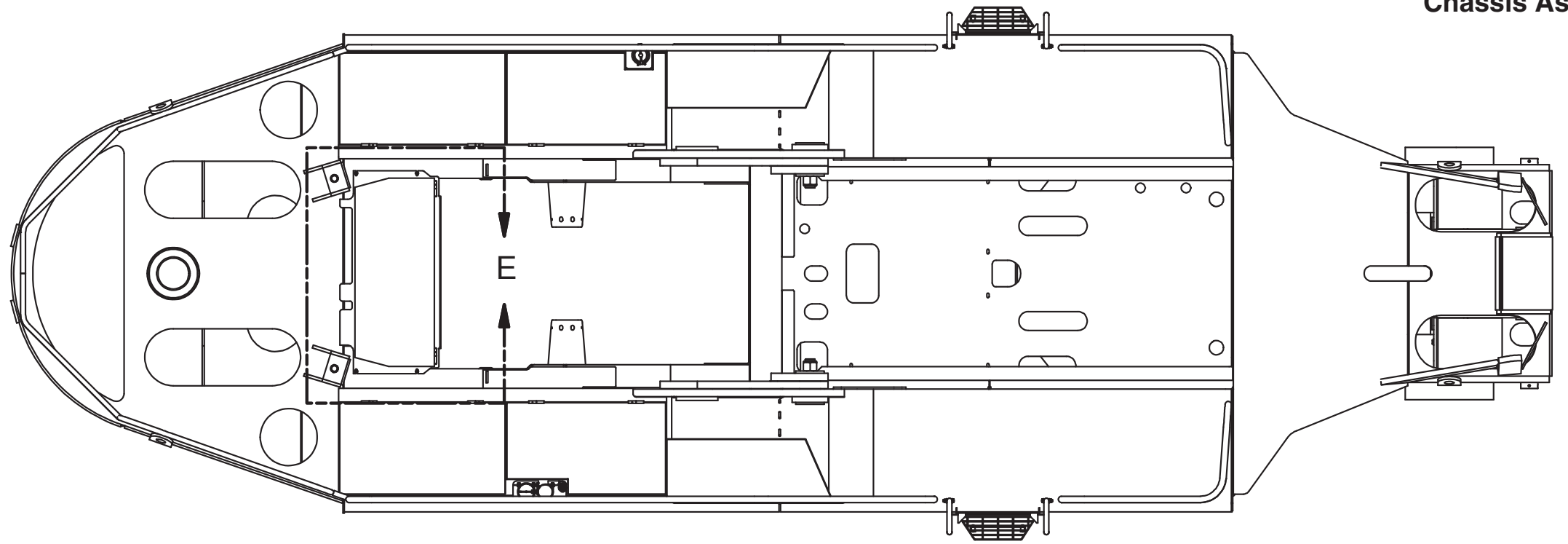
\* See Separate Coverage





DETAIL E

46 47  
4X 4X



DETAIL B

