
Transmission

Transmission

Item	Part No.	Qty	Description	Item	Part No.	Qty	Description
	591264		Transmission				
1	*a 204774	1	. Disc Hub Snap Ring	75	00120063	1	. Elbow, Street
2	-----	1	. Input Clutch - See Page 6	76	*a R238535	1	. Air Breather
3	*a 591548	2	. Ring, Seal	77	*a 217002	1	. Gasket
4	237295	1	. Capscrew	78	*a 238093	1	. Snap Ring
5	228701	1	. Clutch Support & Plug Assembly	79	-----	1	. 1st Clutch Assembly - See P. 7
6	234556	1	. Nut	80	*a 221129	2	. Clutch Support Piston Ring
9	*a 228702	1	. Bearing	81	*a 221130	2	. Piston Ring Expander Spring
10	212358	1	. Lock Ball	82	237295	8	. Screw
11	228703	1	. Spacer	83	238094	1	. Clutch Support and Plug Assy
12	216971	1	. Gear	84	240523	1	. Shaft, 1st & 3rd
13	*a 216972	1	. Gasket	85	*a 228726	1	. Bearing
14	201567	1	. Lockwasher	86	*a 212355	1	. Snap Ring
15	16598W	4	. Capscrew	87	593951	1	. Transmission Case - See Page 5
15A	Y01C-0624	2	. Capscrew	88	217006	1	. Spacer
16	593960	1	. Control Cover & Modulator Fwd/Rev	89	212254	1	. Washer, Flange
	(See Page 9)			90	*a 217008	1	. Bearing
17	18537W	6	. Screw	91	234556	1	. Locknut
18	201567	6	. Lockwasher	93	200604	2	. Lockwasher
19	*a 15862W	6	. O-Ring	95	16830W	2	. Capscrew
21	216971	1	. Gear	96	227833	1	. Clutch Support and Plug Assy
22	216977	1	. Spacer	97	237295	8	. Screw
23	238091	1	. Shaft	98	*a 591548	2	. Ring, Seal
24	*a 216979	1	. Bearing	99	-----	1	. 3rd Clutch Assembly - See P. 8
25	*a 216980	1	. Gasket	100	*a 204774	1	. Snap Ring
26	234559	1	. Cap, Bearing	101	*a 204774	1	. Snap Ring
27	*a 208547	1	. Seal	102	-----	1	. 4th Clutch Assembly - See P. 8
28	200604	4	. Lockwasher	103	*a 591548	2	. Ring, Seal
29	16830W	4	. Capscrew	104	237295	1	. Screw
31	216795	1	. Flange	105	227833	1	. Clutch Support and Plug Assy
32	*a Y060600-325	1	. O-Ring	106	234556	1	. Nut, Lock
33	216983	1	. Washer	109	*a 217008	1	. Bearing
34	245567	1	. Nut	110	*a 212254	1	. Washer, Flange
36	16830W	4	. Capscrew	111	228716	1	. Gear
37	200604	4	. Lockwasher	112	228717	1	. Gear
38	234560	1	. Cap, Bearing	113	217006	1	. Spacer
39	*a 216980	1	. Gasket	114	*a 212355	1	. Snap Ring
40	221420	1	. Nut	115	*a 228726	1	. Bearing
41	234561	1	. Spacer	116	238096	1	. Lock Pin
42	*a 216979	1	. Bearing	117	240523	1	. Shaft, 2nd & 4th
43	238091	1	. Shaft	118	238094	1	. Clutch Support and Plug Assy
44	216977	1	. Spacer	119	237295	8	. Screw
45	228703	1	. Spacer	120	*a 221130	2	. Spring
46	*a 228702	1	. Bearing	121	*a 221129	2	. Snap Ring
47	212358	1	. Lock Ball	123	-----	1	. 2nd Clutch Assembly - See P. 7
48	234556	1	. Nut	124	*a 238093	1	. Snap Ring
51	228701	1	. Clutch Support & Plug Assembly	127	00103341	20	. Washer
52	237295	8	. Screw	128	223217	20	. Capscrew
53	*a 591548	2	. Ring, Seal	132	218486	1	. Locknut
54	-----		. Reverse Clutch - See Page 6	133	212254	1	. Washer, Flange
55	*a 204774	1	. Snap Ring	134	*a 212253	1	. O-Ring
56	238092	3	. Bolt	135	228722	1	. Flange
57	228704	1	. Plate	136	16830W	6	. Capscrew
58	*a 228705	A/R	. Shim	137	200604	6	. Lockwasher
58A	*a 228706	A/R	. Shim	138	217025	1	. Bearing Cap & Seal
58B	*a 228707	A/R	. Shim	139	*a 15887W	1	. O-Ring
58C	*a 228708	A/R	. Shim	140	*a 212250	1	. Seal
59	228709	1	. Gear	141	*a 217013	1	. Cap, Bearing
60	228710	1	. Plate	142	*a 217014	1	. Cone, Bearing
61	*a 228711	1	. Cone, Bearing	143	217015	1	. Shaft
62	*a 228712	1	. Cup, Bearing	144	228719	1	. Gear
63	228713	1	. Oil Baffle, Bearing	145	200622	2	. Plug
64	228723	1	. Oil Baffle, Bearing	146	00103341	18	. Washer, Belleville
65	*a 228724	1	. Cup, Bearing	147	223217	18	. Capscrew
66	*a 228725	1	. Cone, Bearing	148	234566	1	. Oil Sump Assembly
67	228728	1	. Shaft	149	R525293	2	. Sump Magnet
69	591586	1	. Speed Sensor - See Page 12	150	*a 217018	1	. Gasket
74	245568	1	. Cover, 1st & 2nd Clutch	151	16379W	3	. Screw

Transmission

Item	Part No.	Qty	Description	Item	Part No.	Qty	Description
152	201567	3	. Lockwasher				
153	228720	1	. Oil Sump Frame & Screen Assy				
154	*a 214778	1	. Gasket				
155	228718	1	. Gear				
156	*a 217014	1	. Bearing Cone				
157	*a 217013	1	. Bearing Cup				
158	*a 212250	1	. Seal				
159	*a 15887W	1	. O-Ring				
160	*a 217022	A/R	. Shim				
160A	*a 217023	A/R	. Shim				
160B	*a 217024	A/R	. Shim				
161	217025	1	. Bearing Cap & Oil Seal				
162	228722	1	. Flange				
163	200604	6	. Lockwasher				
164	16830W	6	. Capscrew				
166	218486	1	. Nut				
167	212254	1	. Washer				
168	*a 212253	1	. O-Ring				
169	*a 217027	1	. Gasket				
170	228700	1	. Clutch Cover				
171	00103341	26	. Lockwasher				
172	223217	26	. Screw				
186	216975	1	. Dipstick				
186A	217527	1	. Dipstick Housing				
187	214768	1	. Cap, Pipe				
188	214769	1	. Nipple, Pipe				
	NI 209512	2	. Pipe Plug				
	NI 211265	1	. Pipe Plug				
	NI 209133	1	. Fitting, Plug				
	NI 205722	1	. Pipe Plug				

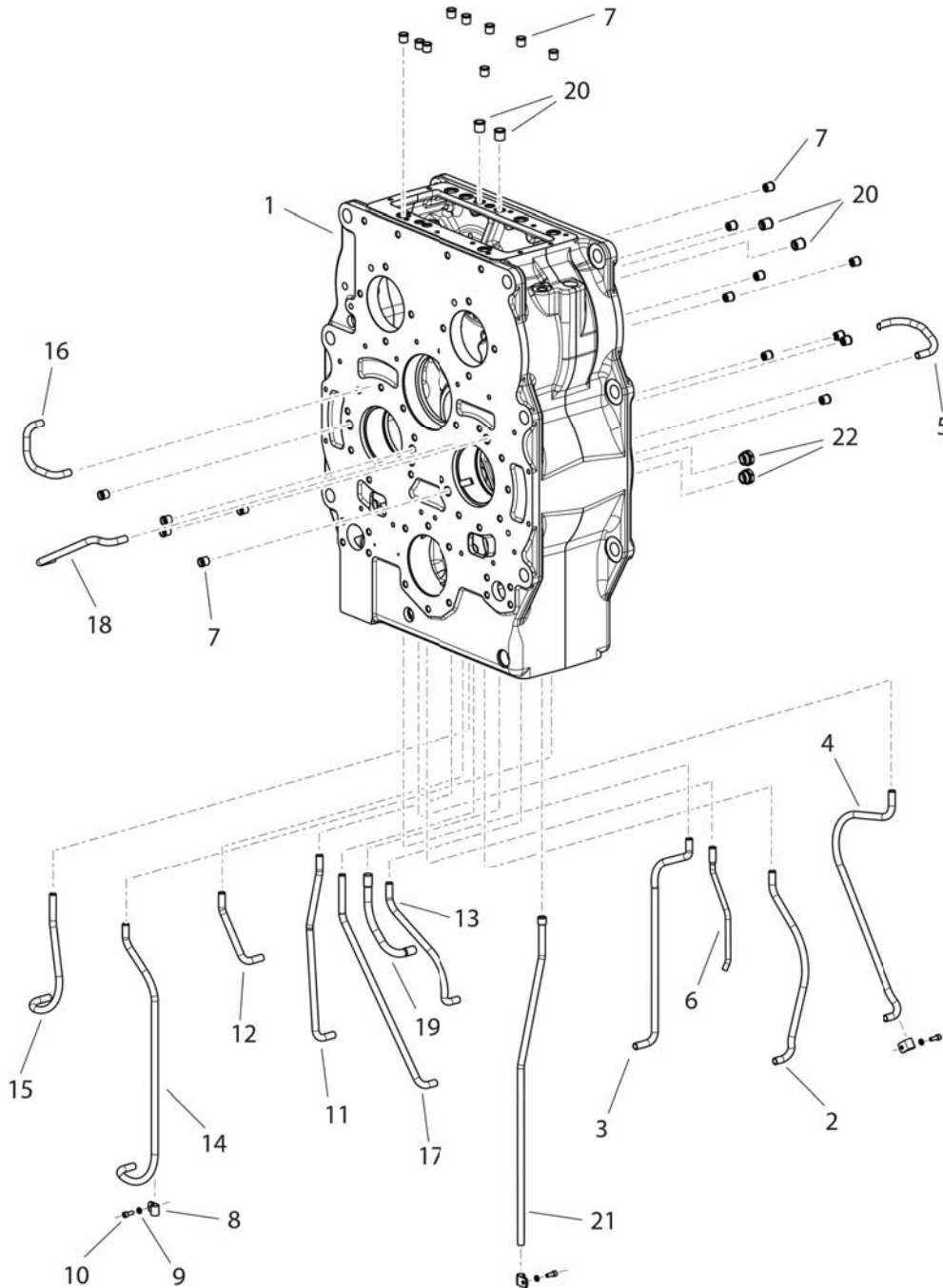
*a Included in 587623 Service Kit

A/R As Required

NI Not Illustrated

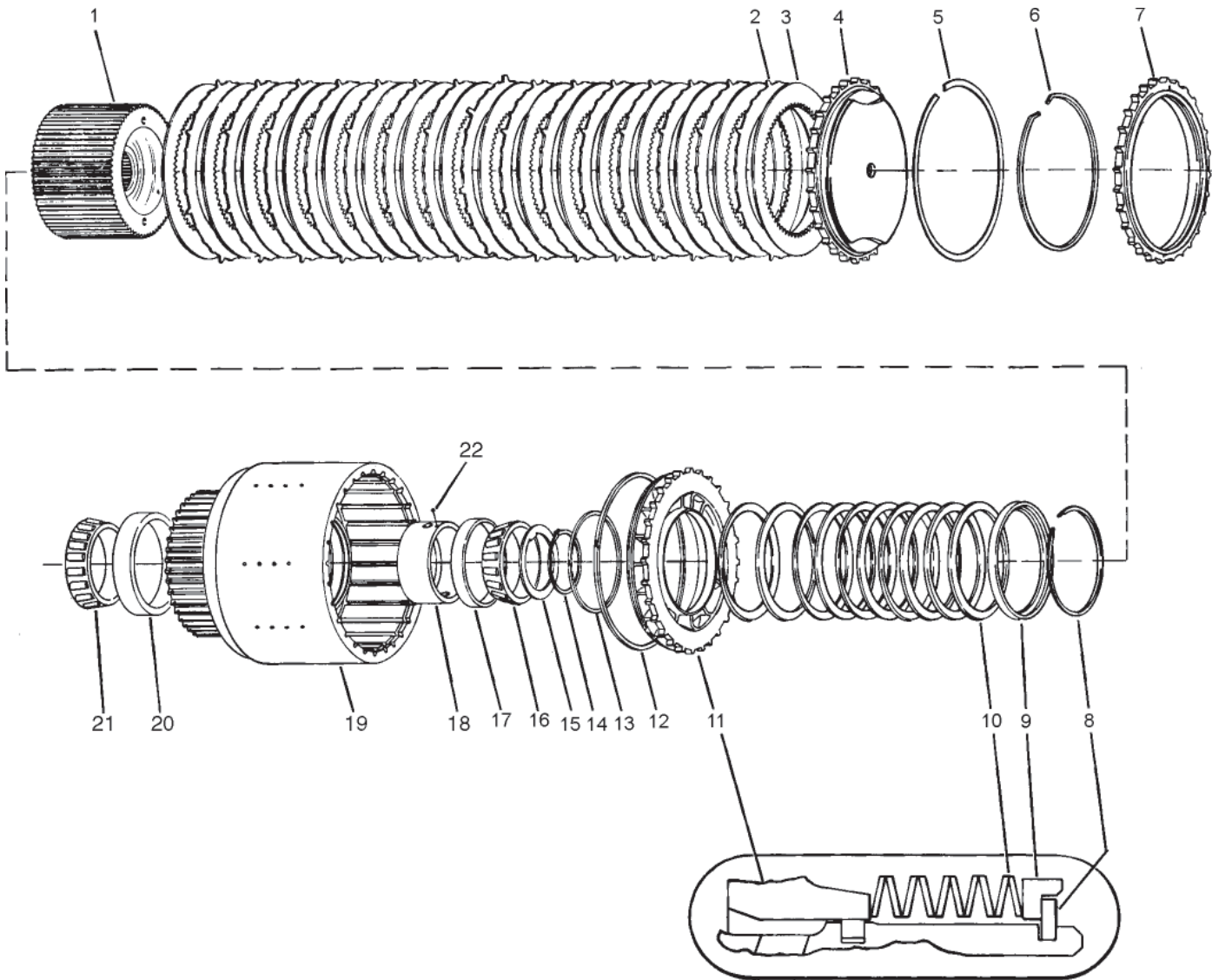
PAGE INTENTIONALLY BLANK

Transmission Case Assembly



Item	Part No.	Qty	Description	Item	Part No.	Qty	Description
	593951		Transmission Case Assembly				
1	593952	1	. Case	12	591502	1	. Rivet
2	216948	1	. Tube	13	223221	1	. Washer
3	593388	1	. Tube	14	212323	1	. Tube Clip
4	216950	1	. Tube	15	593391	1	. Tube
5	593389	1	. Tube	16	593392	1	. Tube
6	212320	9	. Tube Sleeve	17	593393	1	. Tube
7	212320	14	. Tube Sleeve	18	227844	1	. Tube
8	216952	1	. Tube	19	227845	1	. Tube
9	212323	1	. Tube Clip	20	228732	1	. Tube
10	593390	1	. Rivet	21	216962	1	. Tube
11	223221	2	. Washer	22	216963	1	. Tube

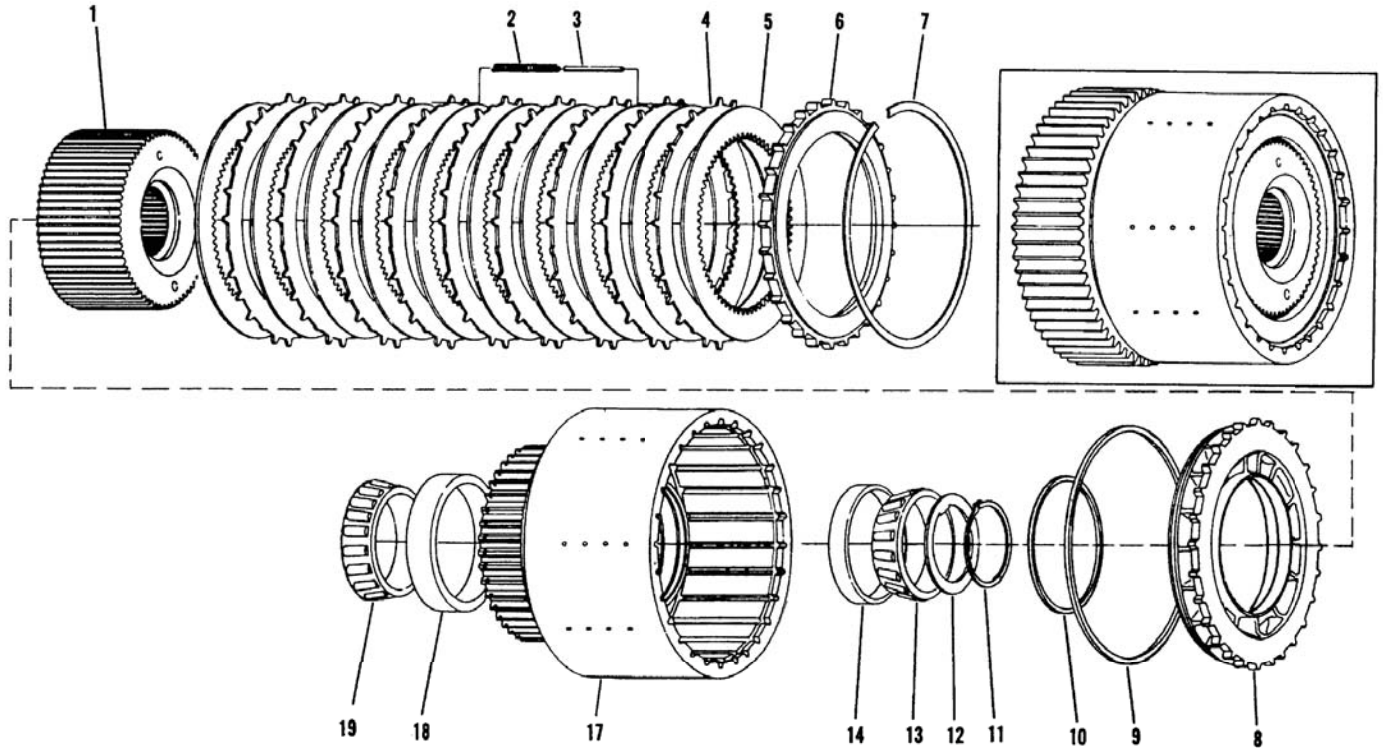
Input (Forward), Reverse Clutch Group



Item	Part No.	Qty	Description	Item	Part No.	Qty	Description
Input (Fwd.), Rev. Clutch Group							
1	228734	1	. Disc Hub & Washer Assembly	14C	*a 248628	A/R	. Ring, Retaining
2	228735	15	. Outer Disc	15	*a 234570	A/R	. Washer, Keyed
3	*b 591579	16	. Inner Disc	15A	*a 248630	A/R	. Washer, Keyed
4	228737	1	. End Plate	15B	*a 234571	A/R	. Washer, Keyed
5	*a 228738	1	. Snap Ring	15C	*a 248631	A/R	. Washer, Keyed
6	*a 228739	1	. Snap Ring	15D	*a 234572	A/R	. Washer, Keyed
7	228740	1	. Retainer	16	*a 228746	1	. Bearing
8	228741	1	. Snap Ring	17	*a 228747	1	. Bearing Cup
9	228742	1	. Retainer	18	217045	1	. Piston Ring Outer Race
10	228743	1	. Kit, Belleville Washer	19	238101	1	. Clutch Drum Assembly
11	228744	1	. Piston	20	*a R238483	1	. Bearing Cup
12	*a 238099	1	. Piston Ring	21	*a 228750	1	. Bearing
12A	*a 238100	1	. Expander Spring	22	212358	1	. . Ball
13	*a 212282	1	. Piston Ring				
14	*a 234568	A/R	. Snap Ring				
14A	*a 234569	A/R	. Snap Ring				
14B	*a 248629	A/R	. Ring, Retaining				

*a Included in 587623 Service Kit
 *b 591579 Inner Disc replaces obsolete 228736 Inner Disk.
 Do not combine different discs in assembly.

1st & 2nd Clutch Group

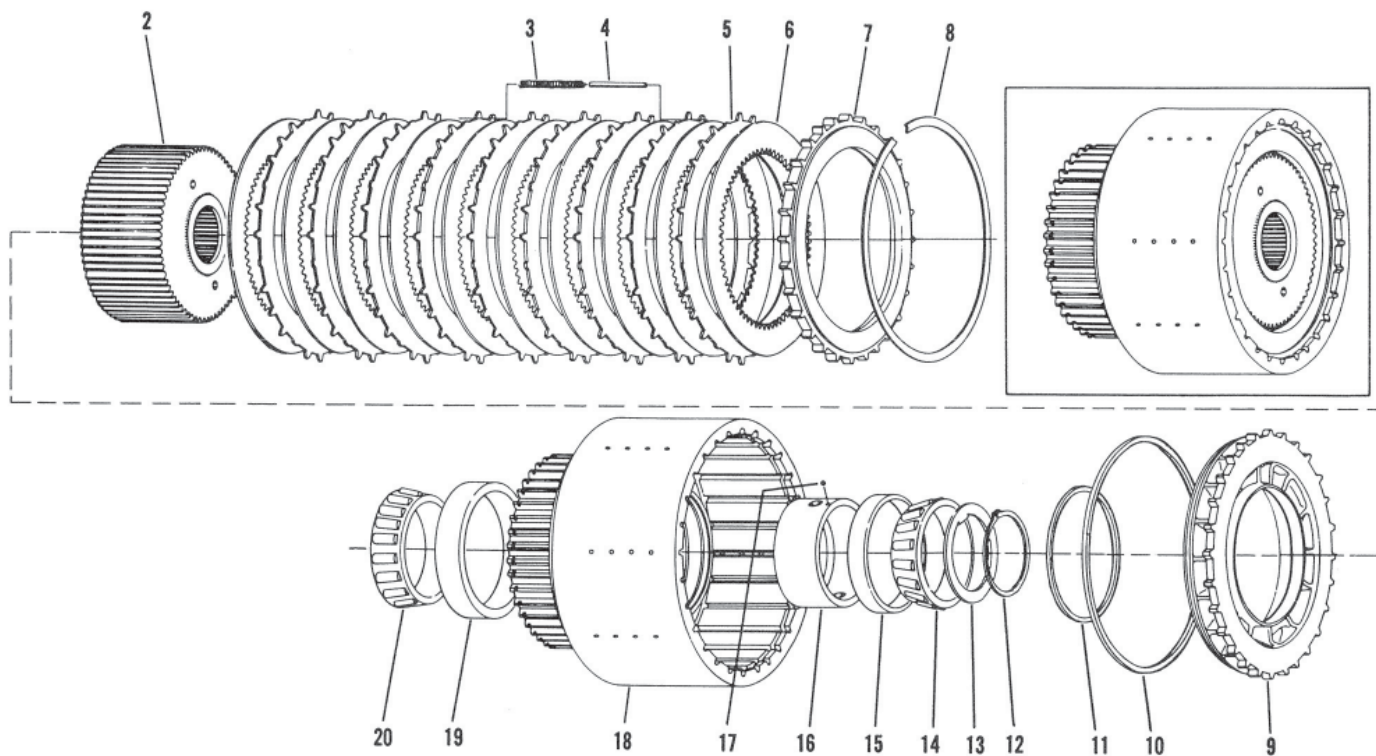


Item	Part No.	Qty	Description	Item	Part No.	Qty	Description
1st & 2nd Clutch Group							
1	238103	1	. Disc Hub Assembly	12	*a 238106	A/R	. Washer, Keyed
2	228752	8	. Spring	12A	*a 238107	A/R	. Washer, Keyed
3	228753	8	. Spring Pin	12B	*a 238108	A/R	. Washer, Keyed
4	212341	11	. Outer Disc	12C	*a 591573	A/R	. Washer, Keyed
5	*b 591498	12	. Inner Disc	13	*a 228750	1	. Bearing Cone
6	212343	1	. End Plate	14	*a 238102	1	. Bearing Cup
7	*a 212348	1	. Snap Ring	17	593949	1	. Clutch Drum Asm
8	228754	1	. Piston	18	*a 222872	1	. Bearing Cup
9	*a 228755	1	. Seal	19	*a 222871	1	. Bearing Cone
10	*a 228756	1	. Seal				
11	238104	A/R	. Snap Ring				
11A	238105	A/R	. Snap Ring				

*a Included in 587623 Service Kit

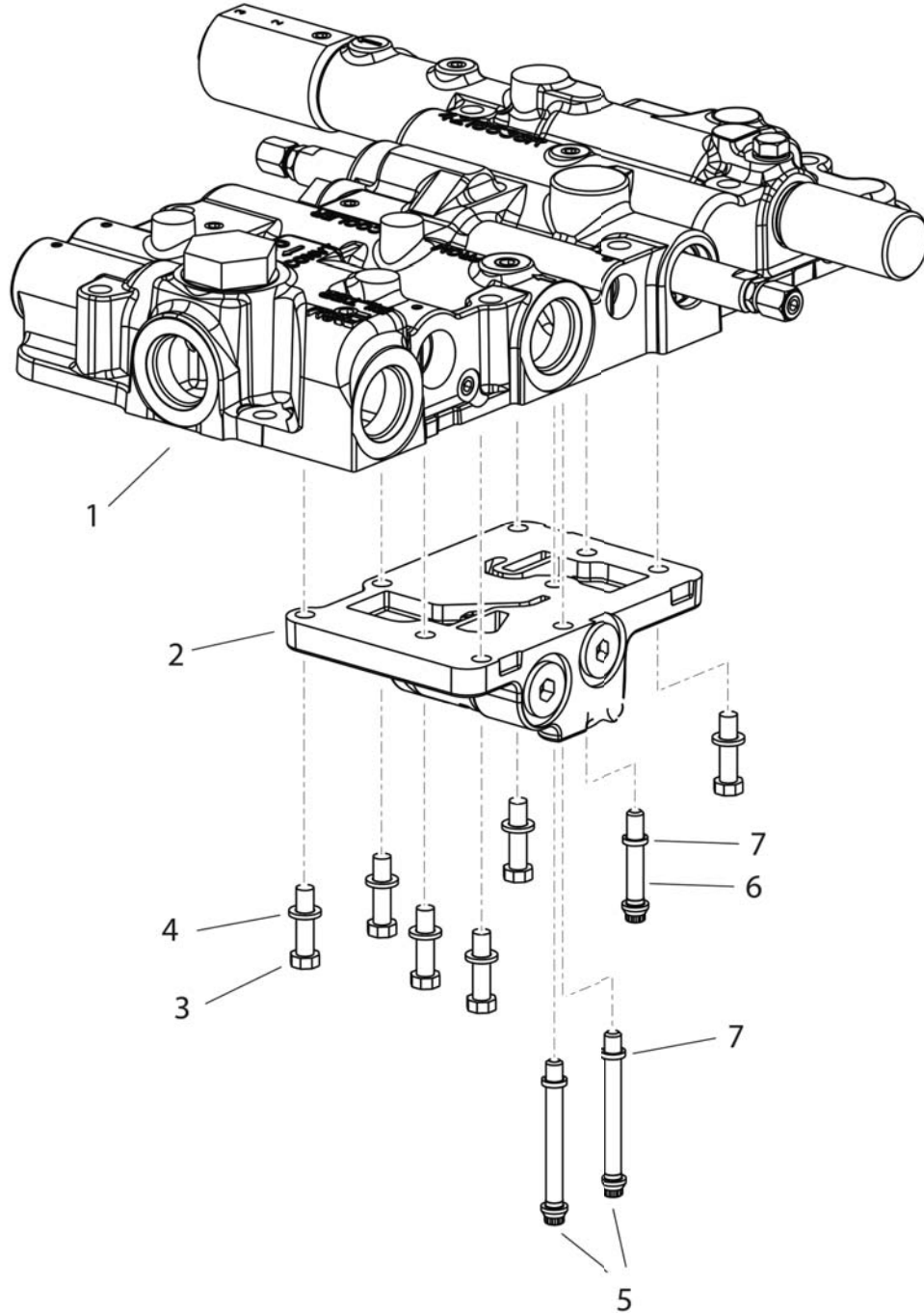
*b 591498 Inner Disc replaces obsolete 212342 Inner Disk.
Do not combine different discs in assembly.

3rd & 4th Clutch Group



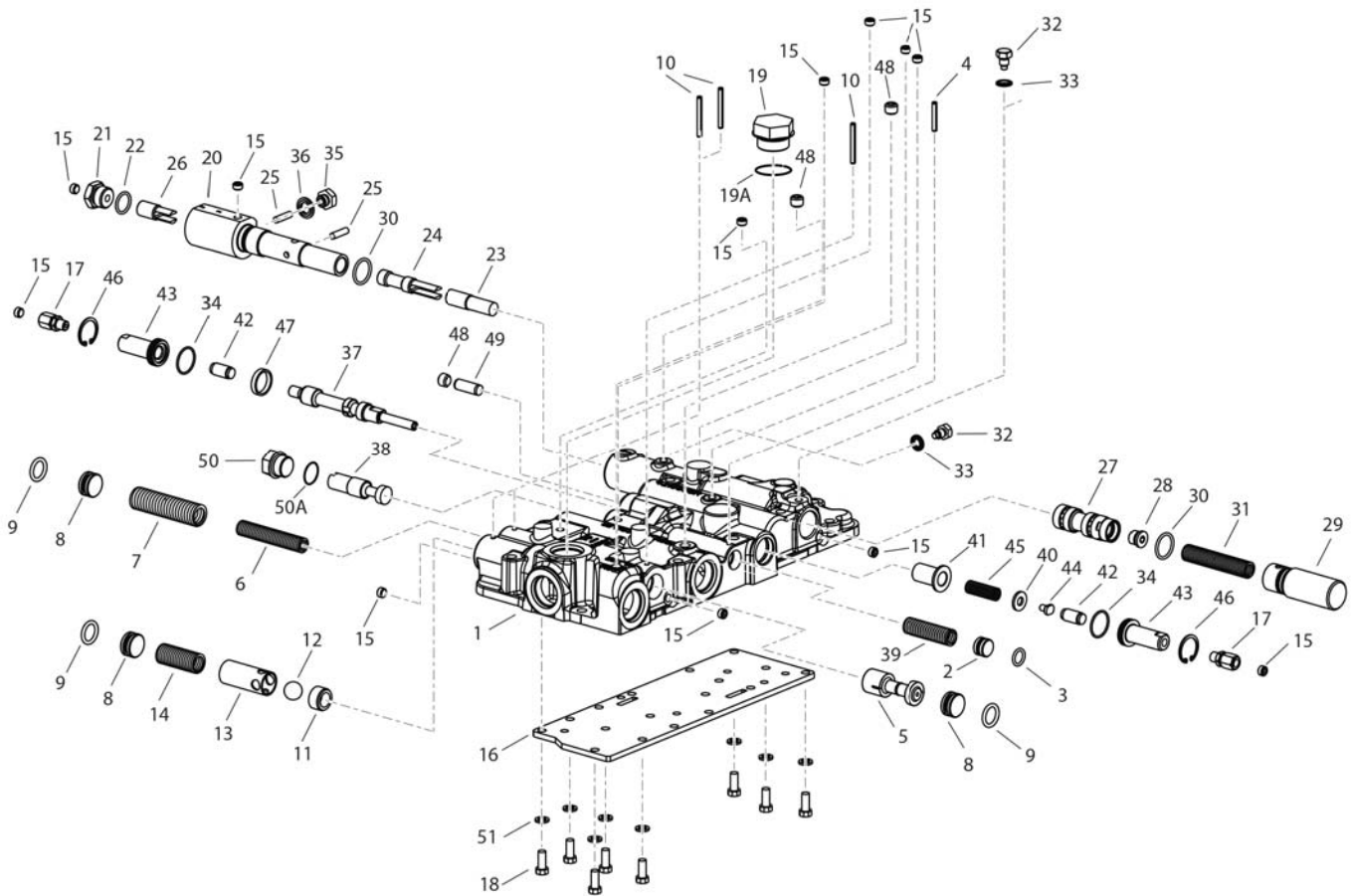
Item	Part No.	Qty	Description	Item	Part No.	Qty	Description
3rd & 4th Clutch Group							
2	234567	1	. Hub Assy, Disc	13B	*a 234571	AR	. Washer, Keyed
3	212339	6	. Spring, Disc	13C	*a 248631	AR	. Washer, Keyed
4	212340	6	. Pin	13D	*a 234572	AR	. Washer, Keyed
5	R4095205	9	. Disc, Outer	13E	*a 248632	AR	. Washer, Keyed
6	217036	10	. Disc, Inner	14	*a 228746	1	. Bearing Cone
7	217037	1	. Plate, End	15	*a 227821	1	. Bearing Cup
8	*a 217038	1	. Ring, Snap	16	*b 217045	1	. Race
9	217039	1	. Piston	17	*b 212358	1	. Ball, Steel
10	*a 217040	1	. Ring, Snap	18	238111	1	. Drum Assy, Clutch
11	*a 212282	1	. Ring, Piston	19	*a 238102	1	. Bearing Cup
12	*a 234568	AR	. Ring, Snap	20	*a 228750	1	. Bearing Cone
12A	*a 234569	AR	. Ring, Snap				
12B	*a 248629	AR	. Ring, Retaining		*a	Included in 587623 Service Kit	
12C	*a 248628	AR	. Ring, Retaining		*b	Included in Item 18, 238111	
13	*a 234570	AR	. Washer, Keyed		AR	As Required	
13A	*a 248630	AR	. Washer, Keyed				

Control Cover & Modulator Fwd/Rev



Item	Part No.	Qty	Description	Item	Part No.	Qty	Description
593960 Control Cover & Modulator Fwd/Rev							
1	238090	1	. Valve, Control (see Page 10)				
2	228768	1	. Valve, Modulator (see Page 11)				
3	18498W	6	. Capscrew				
4	201566	6	. Washer, Lock				
5	292317W	2	. Capscrew				
6	246770W	1	. Capscrew				
7	238114	3	. Washer, Lock				

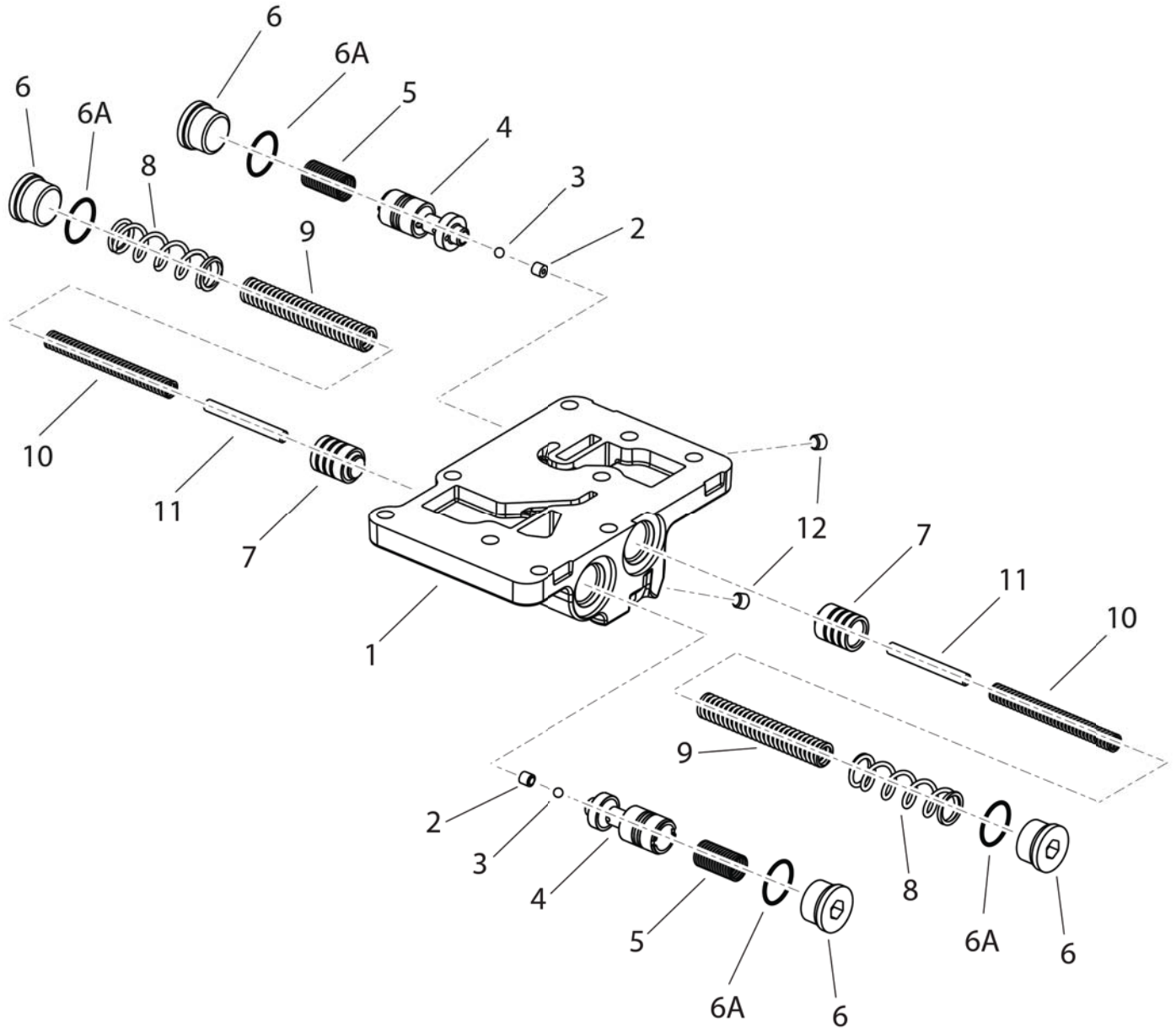
Control Valve Assembly



Item	Part No.	Qty	Description	Item	Part No.	Qty	Description
	238090		Control Valve Assembly				
1	NSS	1	. Control Cover	29	234583	1	. End Plug
2	212411	1	. Valve Stop	30	*a 217897	2	. O-Ring
3	*a 203430	1	. O-Ring	31	*a 234582	1	. Selector Valve Spring
4	212402	1	. Rollpin	32	219826	2	. Plug
5	227828	1	. Spool-Regulator Valve	33	*a 219827	2	. Washer-Seal
6	*a 217076	1	. Spring, Inner	34	*a 217897	2	. O-Ring
7	*a 217060	1	. Spring, Outer	35	219822	1	. Plug
8	212546	3	. Stop-Valve Spool	36	*a 219821	1	. Washer-Seal
9	*a 100153W	3	. O-Ring	37	238113	1	. Valve Spool Fwd And Rev Selector
10	R300058	3	. Pin-Valve Stop	38	217061	1	. Shut-Off Spool
11	217077	1	. Seat-Check Valve	39	212414	1	. Spring Shut-Off Valve
12	217078	1	. Ball	40	232260	1	. Spacer
13	217080	1	. Spacer-Safety Valve	41	234584	1	. Sleeve-Outer
14	*a 227829	1	. Spring	42	232258	2	. Fwd. And Rev. Piston
15	232076	12	. Plug	43	232256	2	. Forward And Reverse Piston Guide
16	228767	1	. Control Cover Plate	44	232259	1	. Cap-Stop
17	219839	2	. Fitting	45	*a 232261	1	. Spring
18	16836W	8	. Capscrew	46	*a 212395	2	. Snap Ring
19	209133	1	. Fitting-Plug	47	243313	1	. Spacer
19A	209826	1	. O-Ring	48	227825	3	. Plug
20	234575	1	. Shift Cylinder Housing	49	217654	1	. Dowel Pin
21	219817	1	. Plug	50	215250	1	. Fitting-Plug
22	*a 209207	1	. O-Ring	50A	*a 209207	1	. O-Ring
23	234577	1	. 1st Speed Valve	51	201566	8	. Washer, Lock
24	234576	1	. 2nd Speed Valve				
25	R4095225	2	. Needle Roller				
26	234574	1	. 3rd Speed Valve				
27	591580	1	. Selector Assembly				
28	591581	1	. Spool				

*a Included in 587623 Service Kit

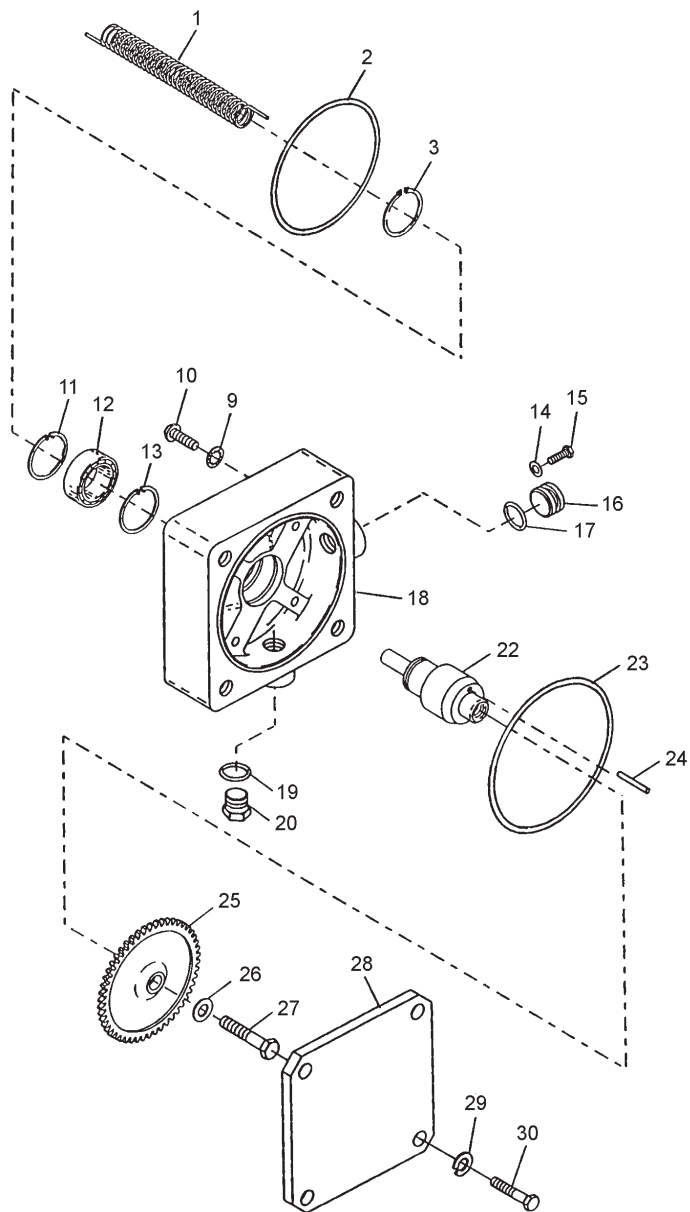
Modulator Valve



Item	Part No.	Qty	Description	Item	Part No.	Qty	Description
	228768		Modulator Valve				
1	NSS	1	. Modulator Valve Housing	9	228771	2	. Spring-Accumulator
2	NSS	1	. Stop Pin	10	228770	2	. Spring-Accumulator, Inner
3	NSS	1	. Spring, Inner	11	228769	2	. Pin-Stop, Accumulator
4	245448	2	. Assembly-Regulator Spool	12	239243	2	. Plug
5	228774	2	. Spring-Regulator				
6	228773	4	. Fitting-Plug, O-Ring				
6A	*a 209207	4	. O-Ring				
7	R237877	2	. Spool-Accumulator				
8	228772	2	. Spring-Accumulator, Outer				

*a Included in 587623 Service Kit
 NSS Not Sold Separately

Speed Sensor Assembly



Item	Part No.	Qty	Description	Item	Part No.	Qty	Description
	591586		Speed Sensor Assembly				
1	021-0294	1	. Spring, Bearing Drive	18	248044	1	. Housing
2	*a 15887W	1	. O-Ring	19	*a 63105W	1	. O-Ring
3	*a 245072	1	. Snap Ring	20	245075	1	. Plug
9	217798	4	. Lockwasher	22	245076	1	. Drive Shaft
10	Y25G-0608	4	. Capscrew	23	*a 57597W	1	. O-Ring
11	*a 241548	1	. Snap Ring	24	245077	1	. Pin, Spring
12	*a 241547	1	. Bearing	25	245078	1	. Gear
13	*a 241548	1	. Snap Ring	26	218433	1	. Lockwasher
14	248043	1	. Lockwasher	27	R13810856	1	. Capscrew
15	R13802619	1	. Capscrew	28	212492	1	. Cover
16	228773	1	. Plug	29	200604	4	. Lockwasher
17	209207	1	. O-Ring	30	18585W	4	. Capscrew

*a Included in 587623 Service Kit