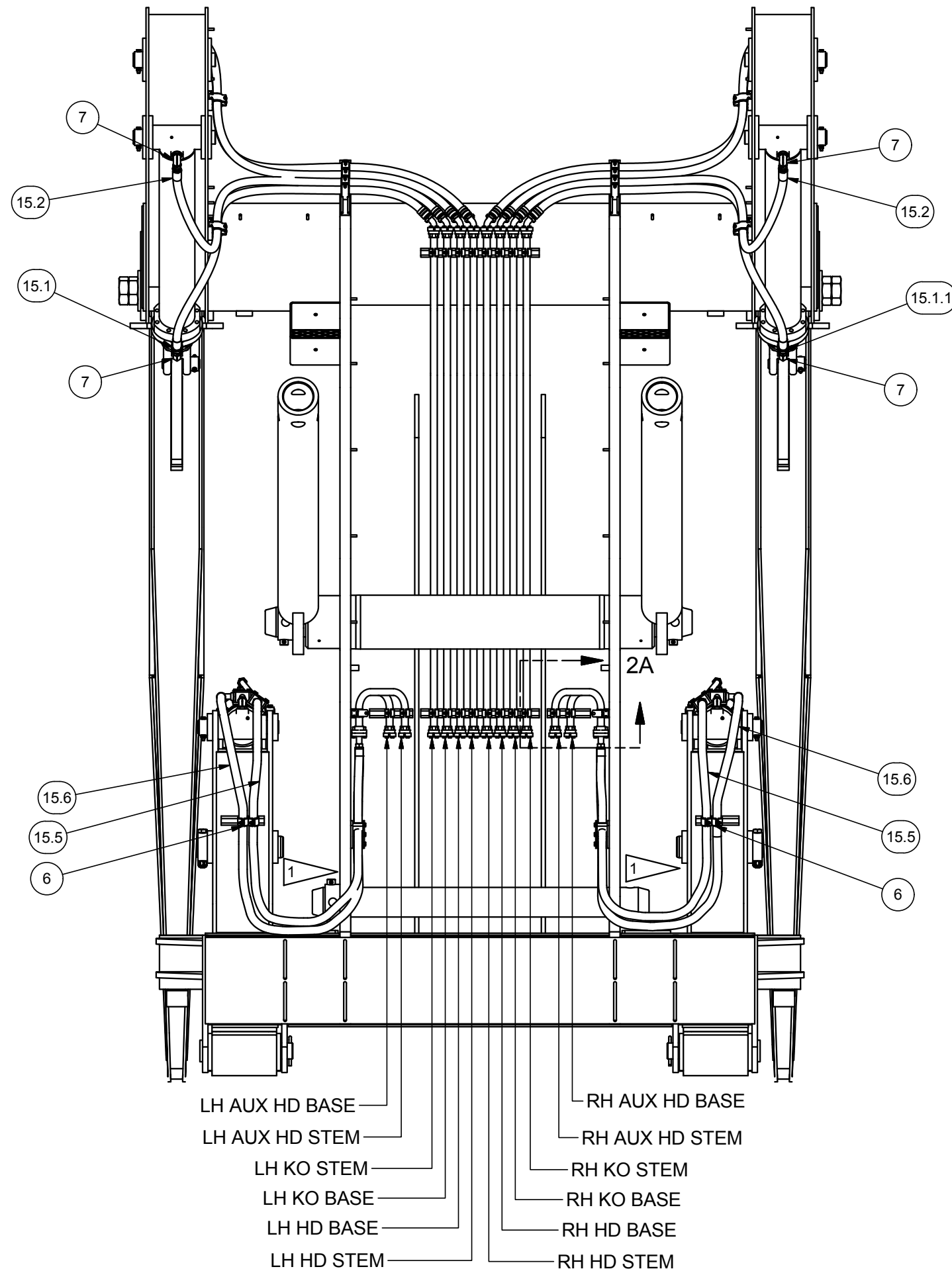
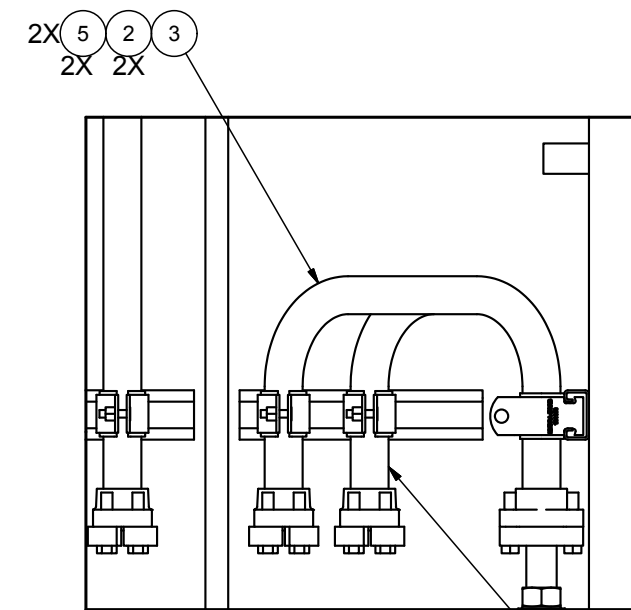
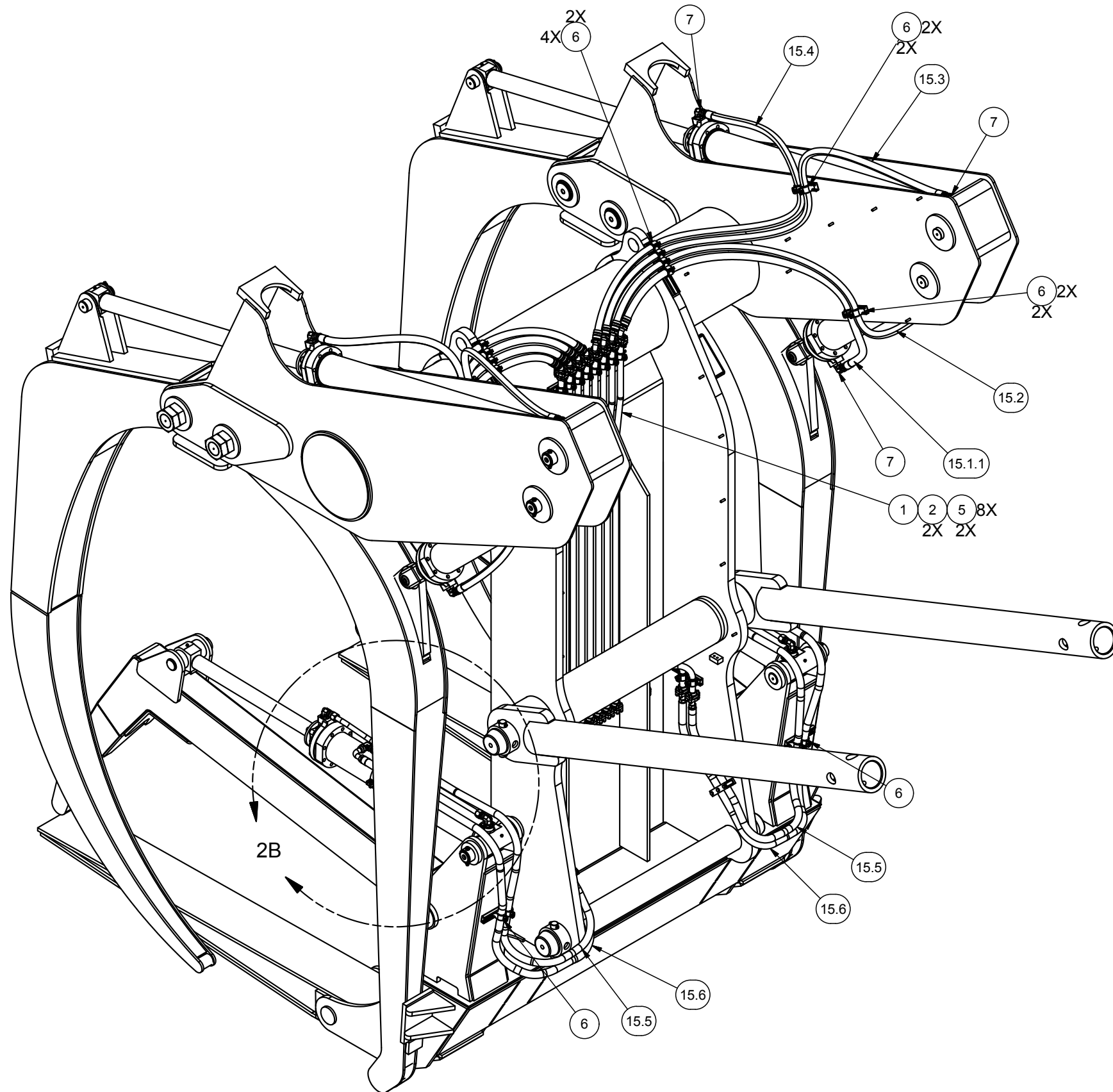

Hydraulic System - Carriage

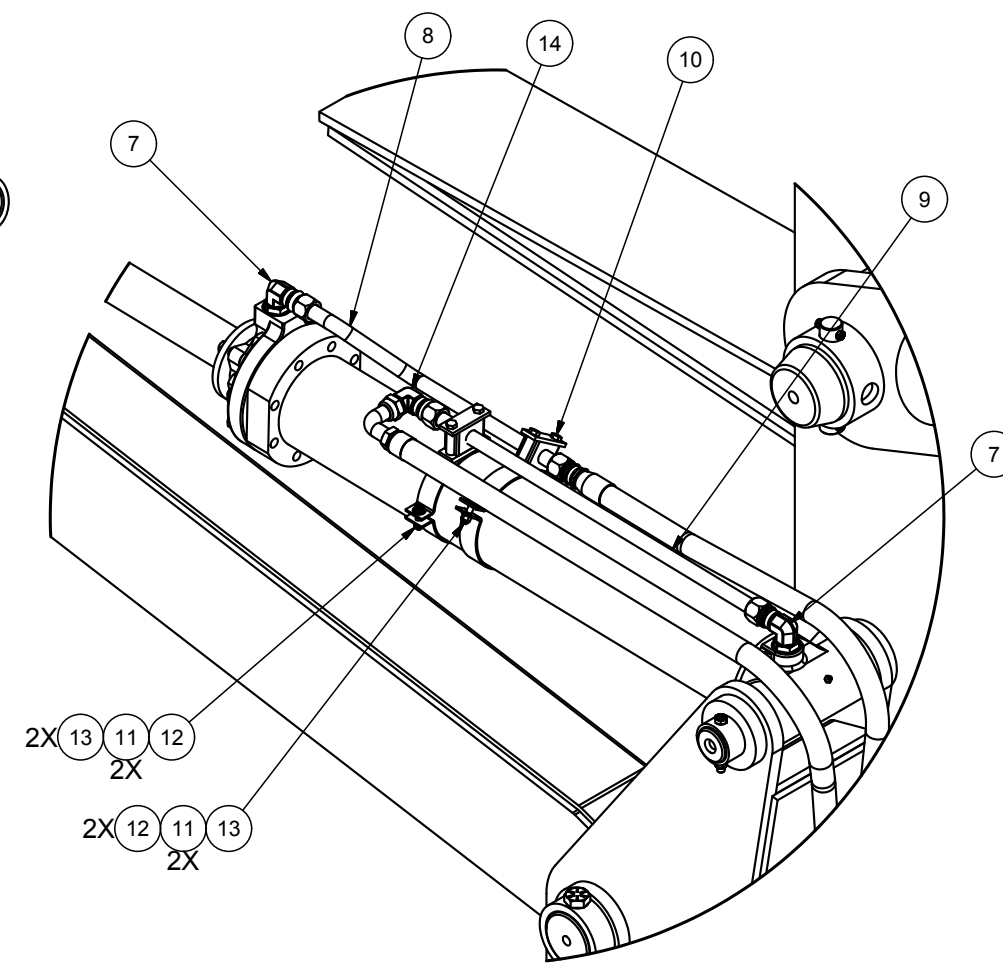
Hydraulic System - Carriage

Item	Part No.	Qty	Description	Item	Part No.	Qty	Description
	590571		Hydraulic System - Carriage				
1	590636	8	. Tube, Hydraulic	11	NA	0	. Washer
2	231249	16	. Clamp	12	NA	0	. Locknut
3	NA	0	. Tube, Hydraulic	13	NA	0	. Capscrew
4	NA	0	. Tube, Hydraulic	14	NA	0	. Fitting
5	11759	16	. Kit, Split Flange	15	590677	1	. Kit, Hose
	203443	1	.. O-Ring	15.1	591796	2	.. Hose Assembly
6	231248	16	. Clamp	15.2	591797	2	.. Hose Assembly
7	209715	8	. Fitting	15.3	591798	2	.. Hose Assembly
8	NA	0	. Tube Assembly	15.4	591799	2	.. Hose Assembly
9	NA	0	. Tube Assembly	15.5	NA	0	.. Hose Assembly
10	NA	0	. Clamp	15.6	NA	0	.. Hose Assembly





DETAIL 2A



DETAIL 2B
PARTS REMOVED FOR CLARITY