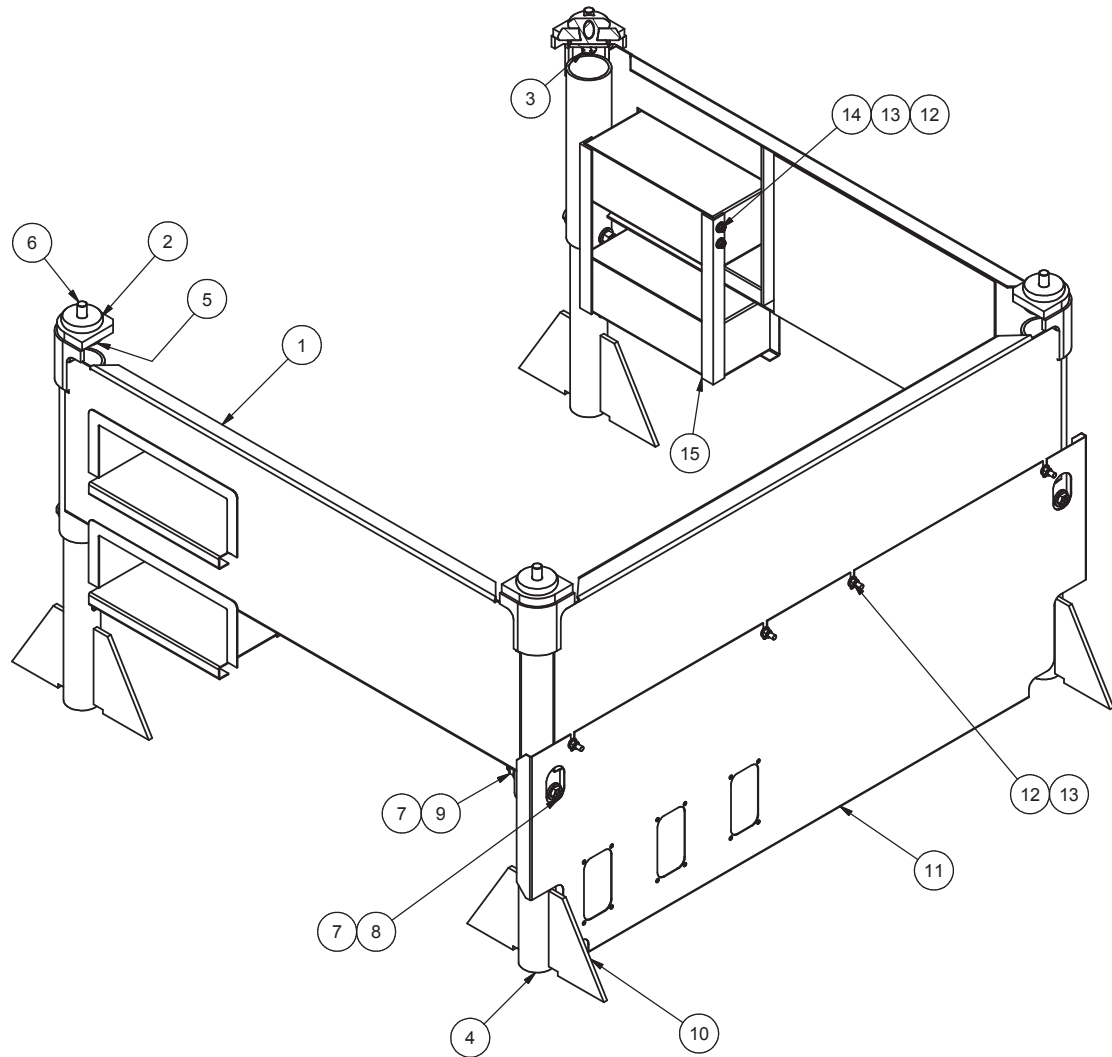
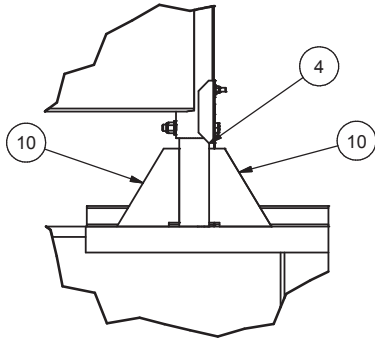


Superstructure Installation



Item	Part No.	Qty	Description	Item	Part No.	Qty	Description
589663 Superstructure Installation							
1	586659	1	. Superstructure Weldment	9	R13811195	4	. Locknut
2	224222	4	. Vibration Dampener	10	586681	8	. Plate, Gusset
3	R13811196	4	. Locknut	11	589693	1	. Plate, Guard Bulkhead
4	589672	4	. Pipe, Support	12	R13811191	12	. Locknut
5	557376	4	. Flat Washer	13	221767W	20	. Washer
6	258667	4	. Stud	14	Y17C-0616	8	. Capscrew
7	221775W	8	. Washer	15	589098	2	. Step Weldment, Aux
8	239515	4	. Capscrew				