

---

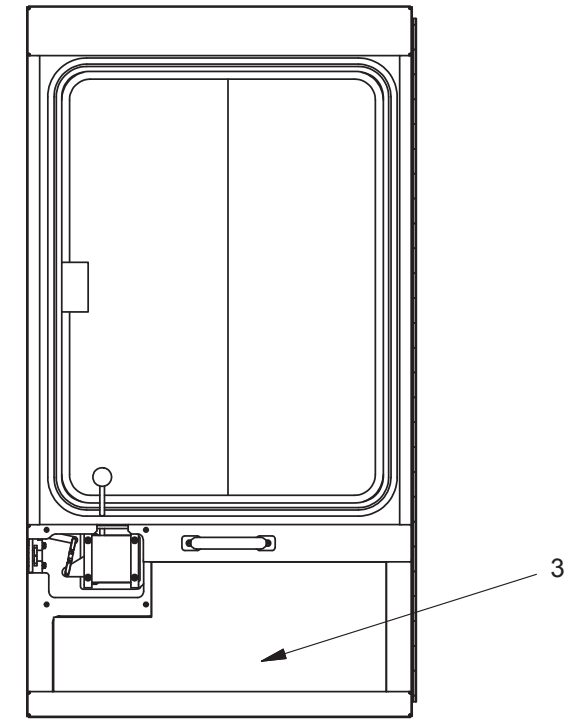
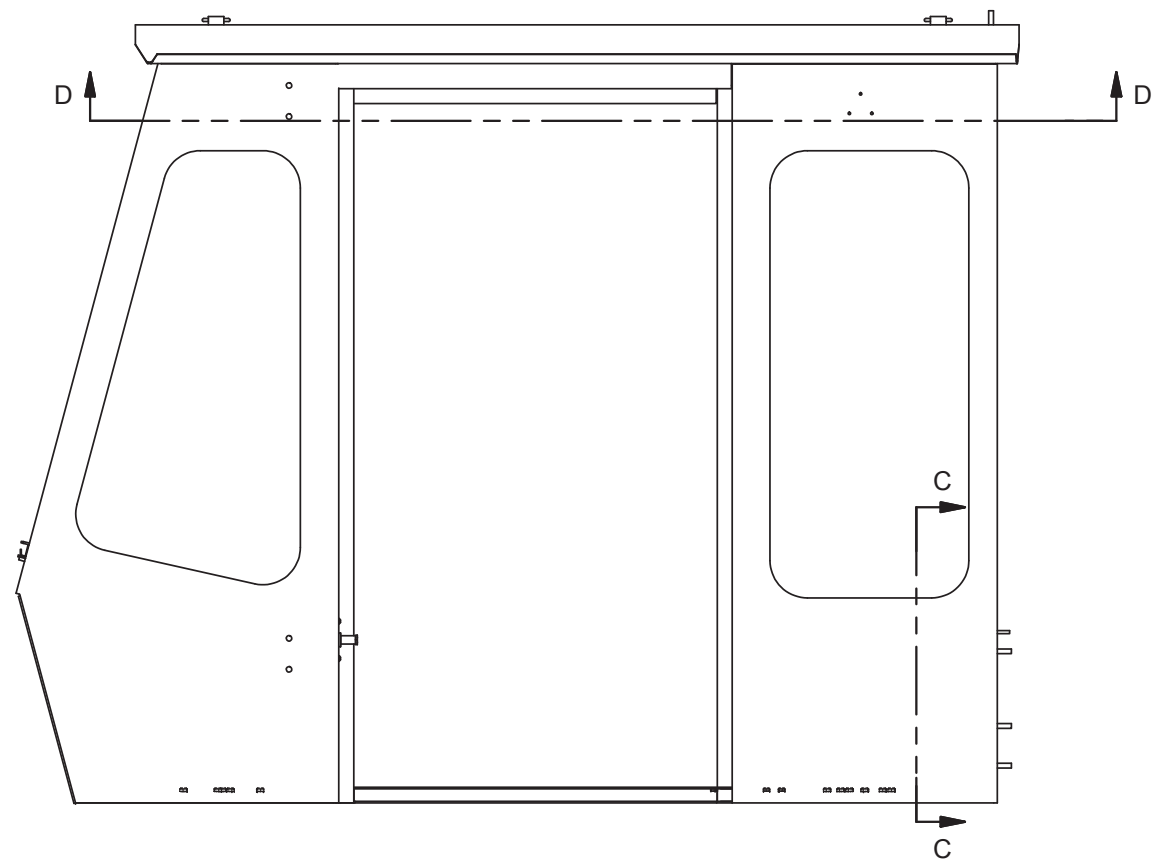
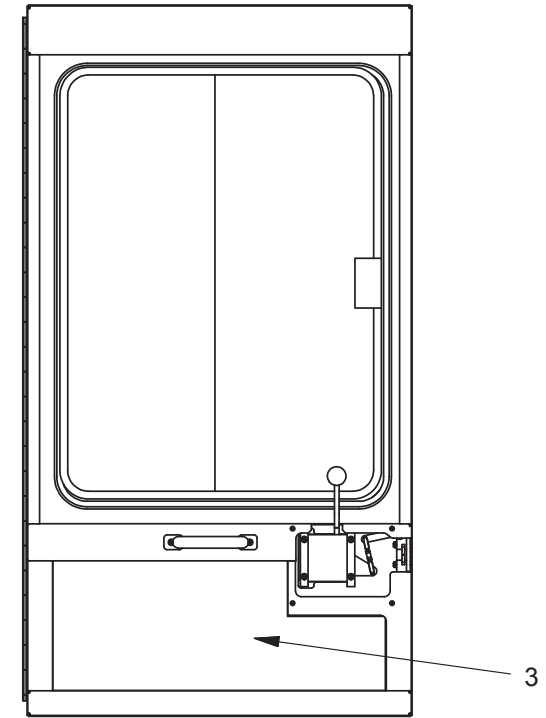
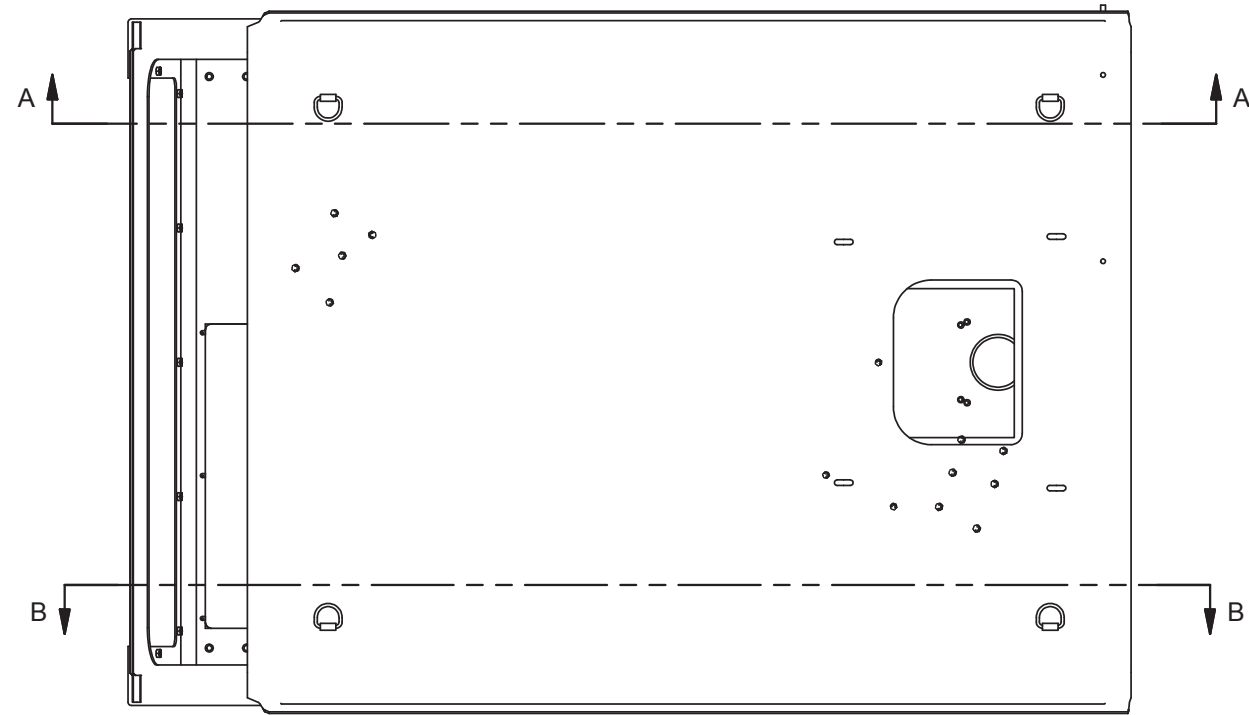
Insulation Installation

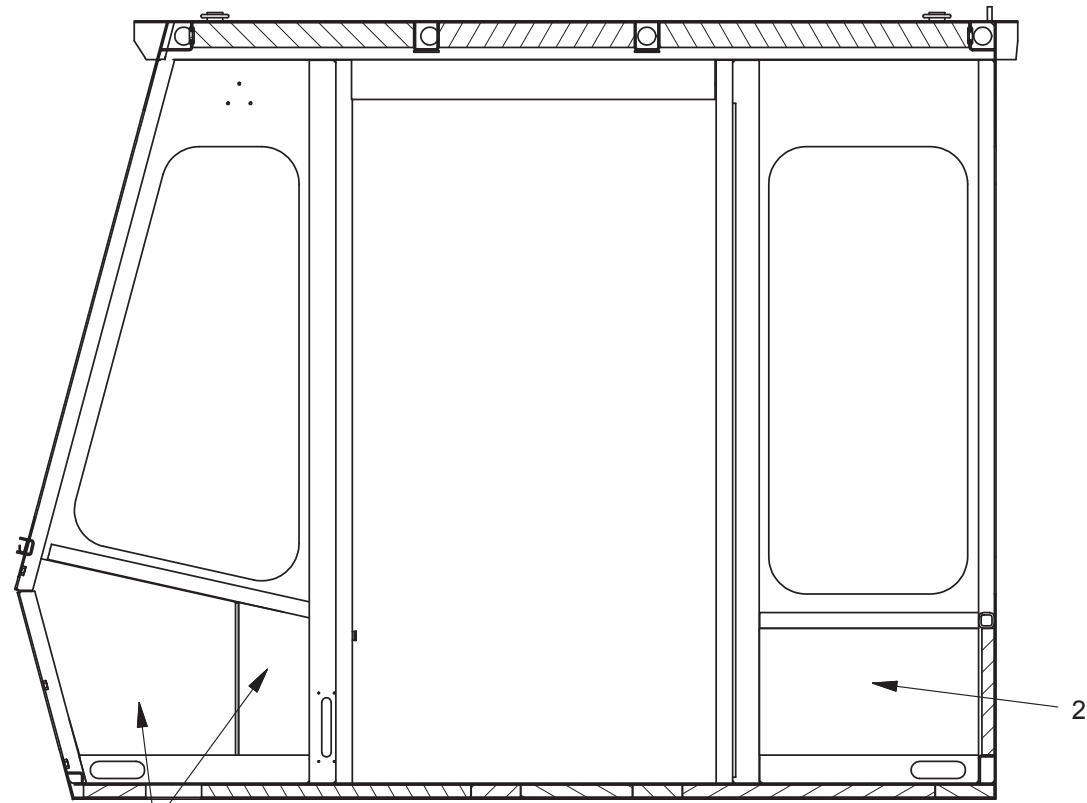
---

## Insulation Installation

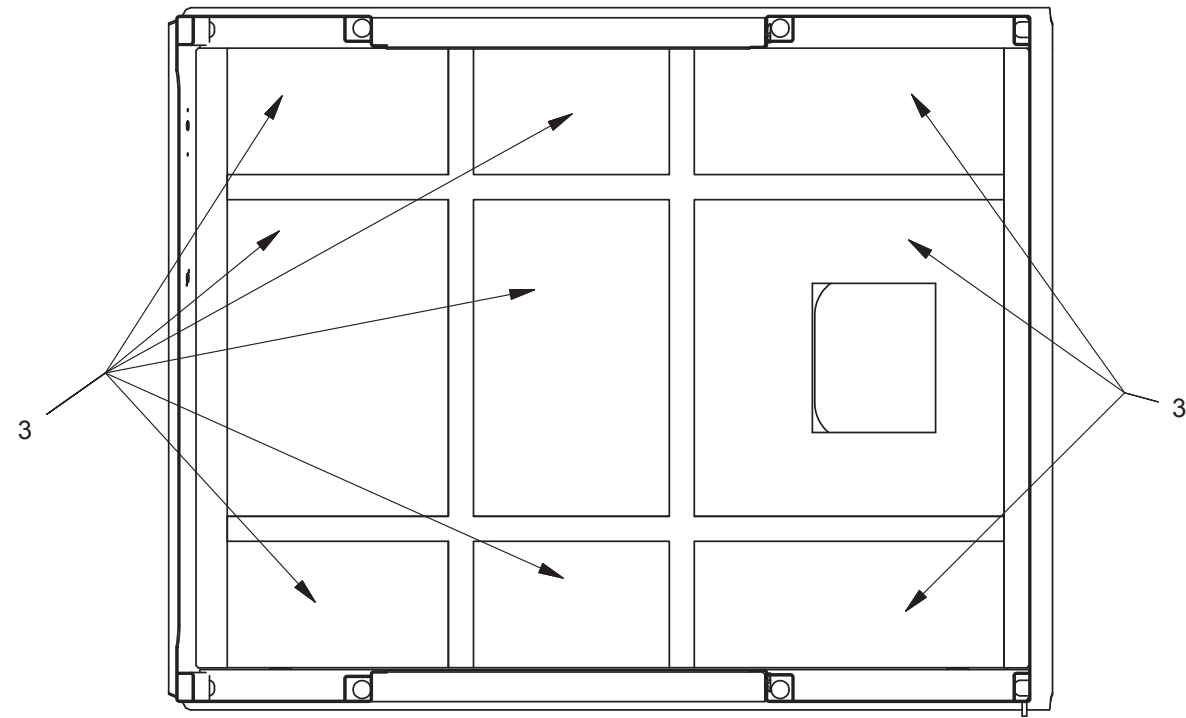
---

Item	Part No.	Qty	Description	Item	Part No.	Qty	Description
	<b>588823</b>		<b>Insulation Installation</b>				
1	587801	4	. Ref Dwg- Cab Assembly				
2	222461	15SF	. Insulation				
3	239850	3	. Insulation,Cab				

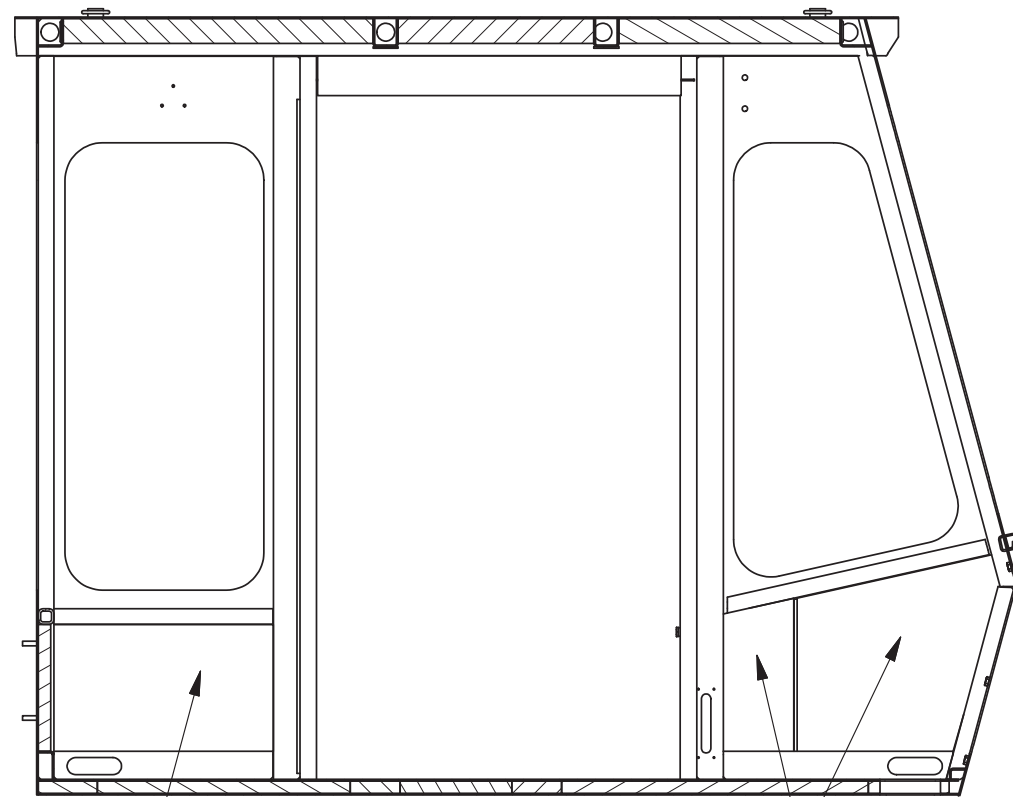




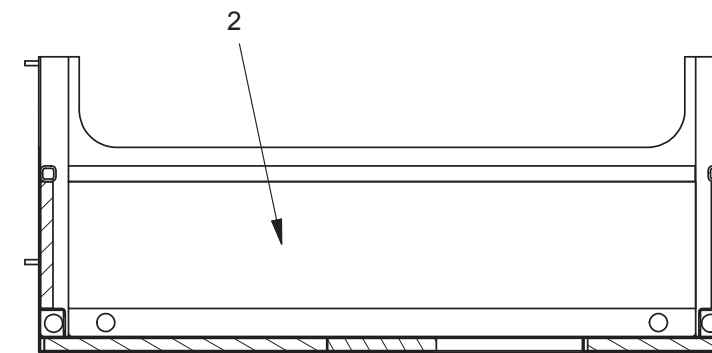
SECTION A-A



SECTION D-D



SECTION B-B



SECTION C-C