

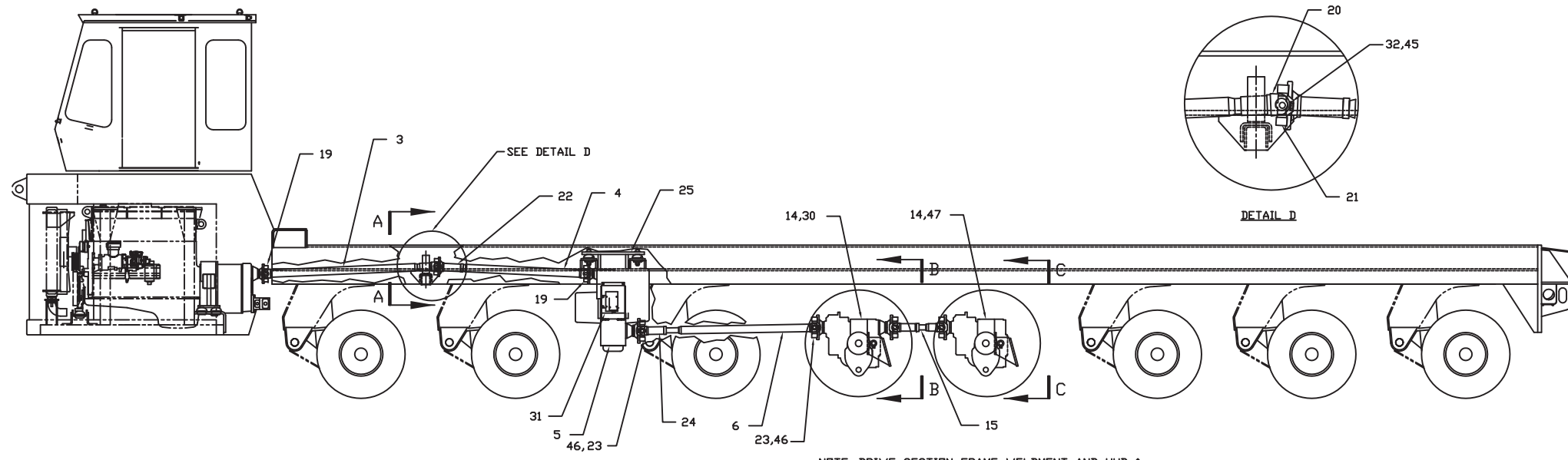
---

Drivetrain Layout

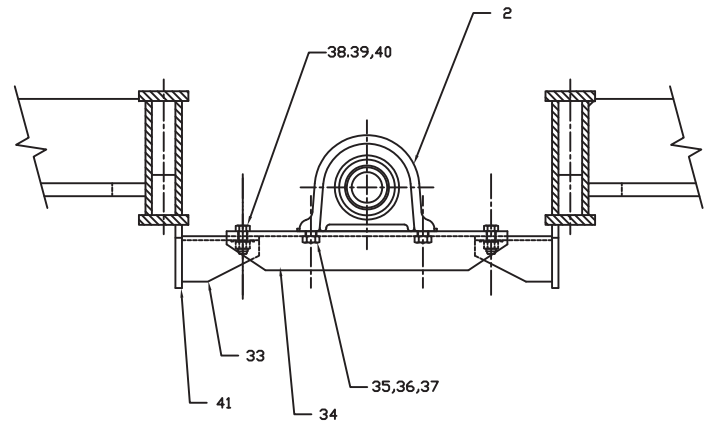
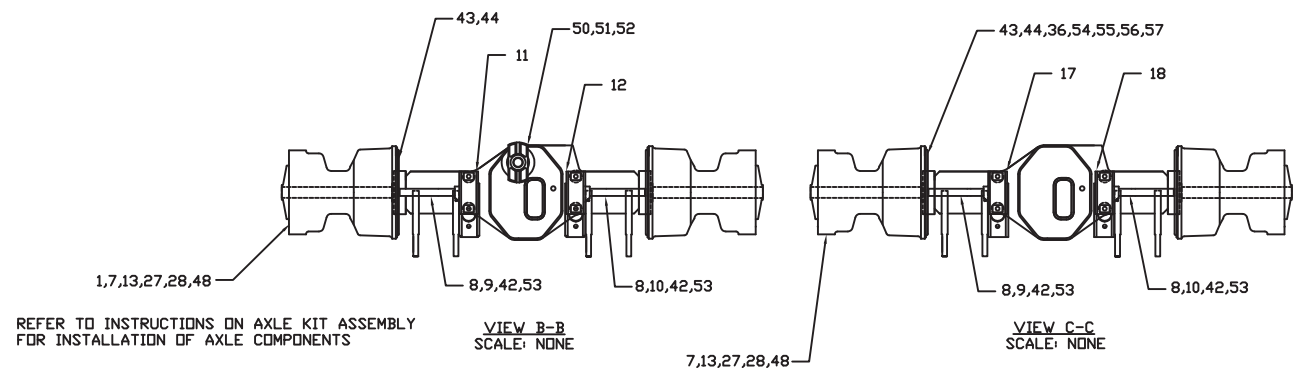
## Drivetrain Layout

Item	Part No.	Qty	Description	Item	Part No.	Qty	Description
	<b>587738</b>		<b>Drivetrain Layout</b>				
1	* 245299	1	. Axle Assembly	30	578786	1	. Axle Housing Weldment
2	135-0284	1	. Carrier, Bearing	31	* 578861	1	. Trans Shift Manif Installation
3	182-0251	1	. Driveline Weldment	32	246902	1	. Nut, Driveline
4	575619	1	. Driveline Weldment	33	004-1658	2	. Bracket
5	* 244179	1	. Transmission	34	249-1091	1	. Crossmember
6	246901	1	. Driveline Assembly	35	R13811077	2	. Capscrew
7	098-0343	4	. Axle Shaft	36	R13811451	18	. Flat Washer
8	106-0033	4	. Slack Adjuster	37	221711W	2	. Hex Nut
9	105-0019	2	. Shaft , CW Cam	38	Y17C-1028	2	. Capscrew
10	105-0020	2	. Shaft , CCW Cam	39	R13809066	2	. Lockwasher
11	* 004-1657	1	. Bracket Assembly,RF Chamber	40	229952	2	. Hex Nut
12	* 004-1656	1	. Bracket Assembly,LF Chamber	41	026-6976	2	. Plate,Support
13	140-0200	72	. Stud, Wheel	42	200859	4	. Washer, Thrust
14	239408	2QT	. Additive	43	563204	8	. Spacer
15	* 578983	1	. Driveline Assembly	44	584220	8	. Shield Weldment
17	* 004-1653	1	. Bracket Assembly,RR Chamber	45	R13804979	1	. Hard Washer
18	* 004-1654	1	. Bracket Assembly,LR Chamber	46	221576W	8	. Capscrew
19	212389	2	. Cross Assembly	47	578903	1	. Axle Housing Weldment,Rear
20	241793	1	. Yoke, End	48	254116	4	. Kit, Hardware
21	216426	1	. Cross Assembly	49	254247	4	. Spider, Brake
22	241792	1	. Yoke, Slip	50	241597	1	. Yoke End
23	203257	2	. Cross Assembly	51	200715	1	. Shield, Dust
24	241794	1	. Yoke, Slip	52	241598	1	. Seal
25	* 400-0080	1	. Transmission Mounting Group	53	254305	2	. Kit, Camshaft Isntl
26	* 400-0082	1	. Filter Installation, Trans	54	R13811043	8	. Capscrew
27	254108	8	. Shoe, Brake	55	221569W	16	. Capscrew
28	241600	4	. Hub & Drum Assembly	56	230282	16	. Flat Washer
	200762	12	.. Hard Washer	57	SPC0025812	16	. Spacer
	204594	1	.. Bearing Cup				
	211462	1	.. Brake Drum				
	241532	1	.. Bearing Cup				
	588110	1	.. Wheel Hub Weldment				
	Y17C-1024	12	.. Capscrew				

\* See Separate Coverage



NOTE: DRIVE SECTION FRAME WELDMENT AND HUB & DRUM ASSY NOT SHOWN IN THIS VIEW FOR CLARITY



SECTION A-A  
(DRIVELINE IS REMOVED FOR CLARITY)