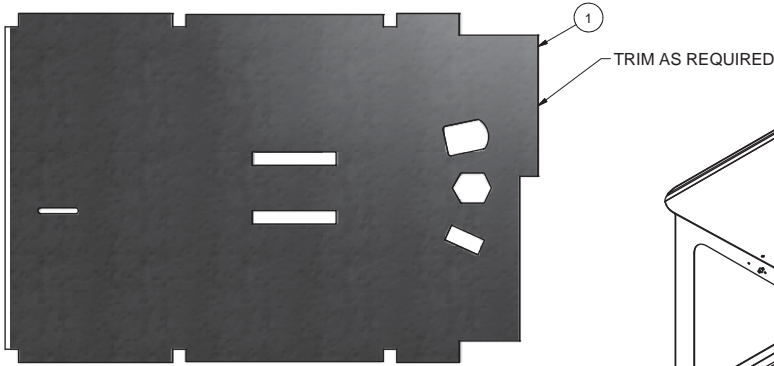
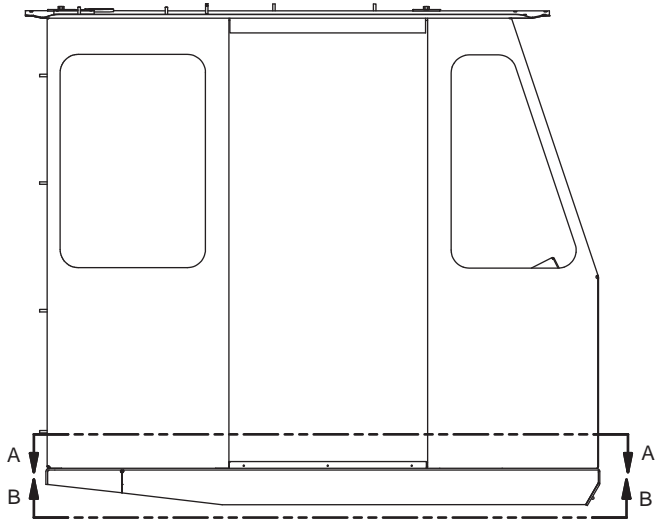
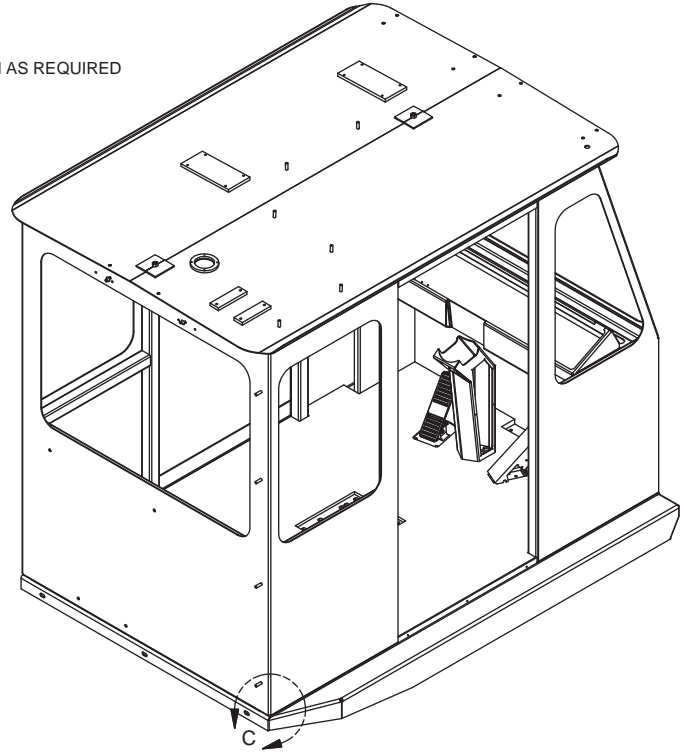


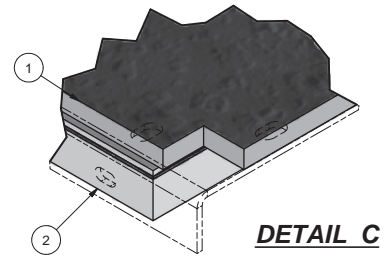
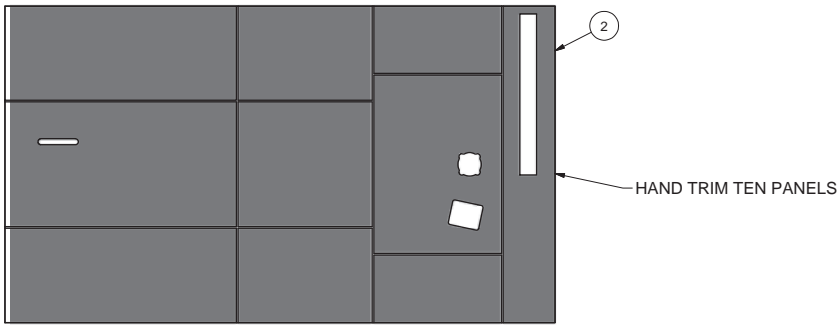
Insulation Installation



**SECTION A-A**



**VIEW B-B**



**DETAIL C**

Item	Part No.	Qty	Description	Item	Part No.	Qty	Description
	<b>587600</b>		<b>Insulation Installation</b>				
1	587685	1	. Mat, Floor				
2	587193	4	. Whispermat Safe & Sound				