

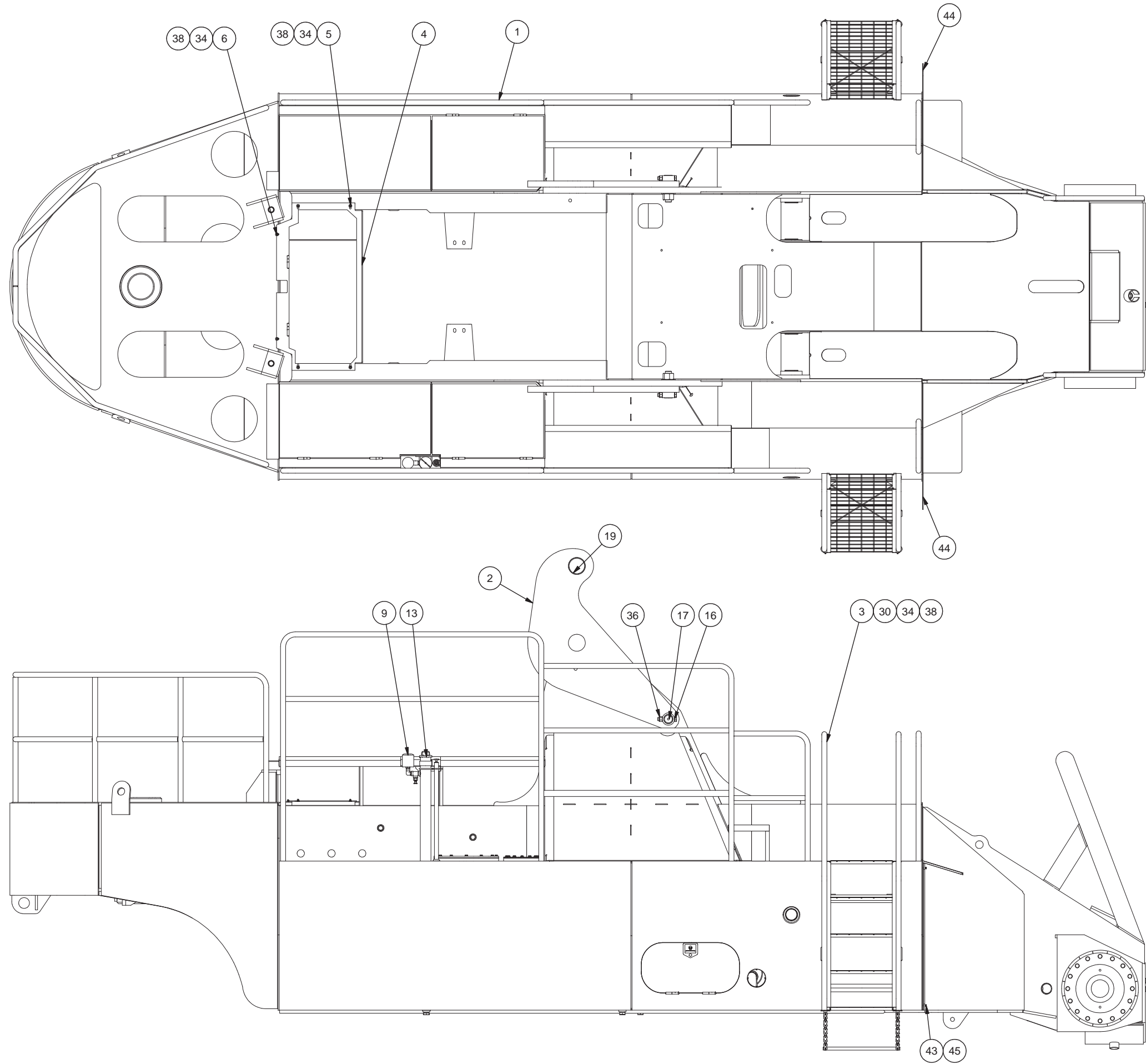
---

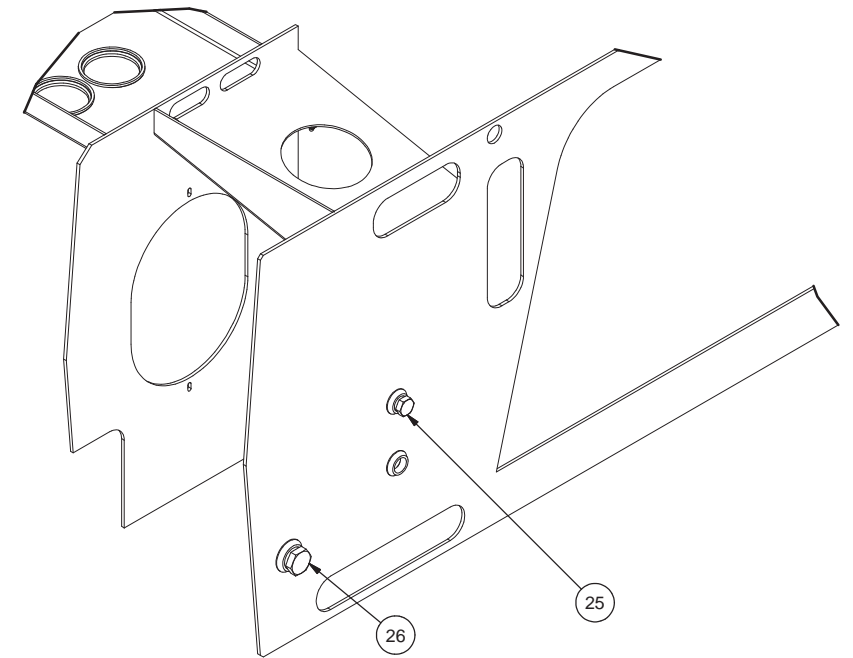
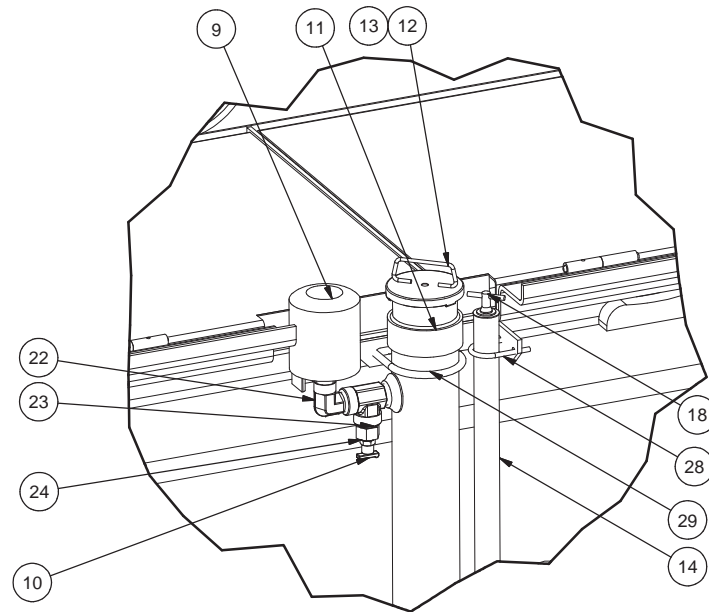
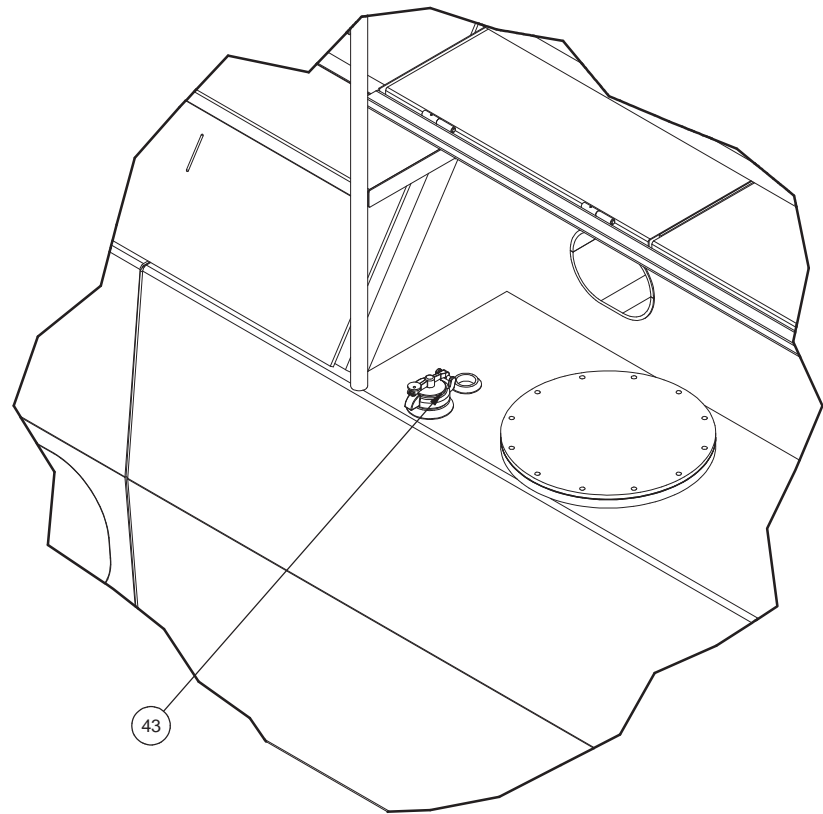
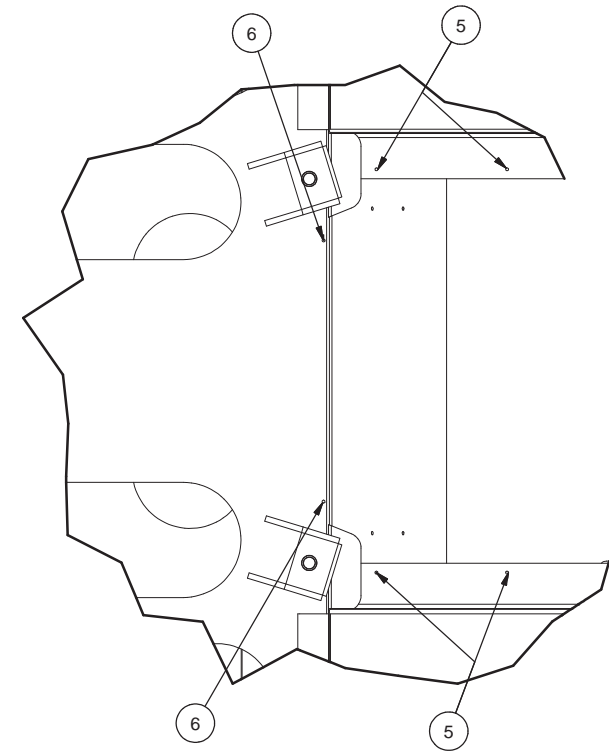
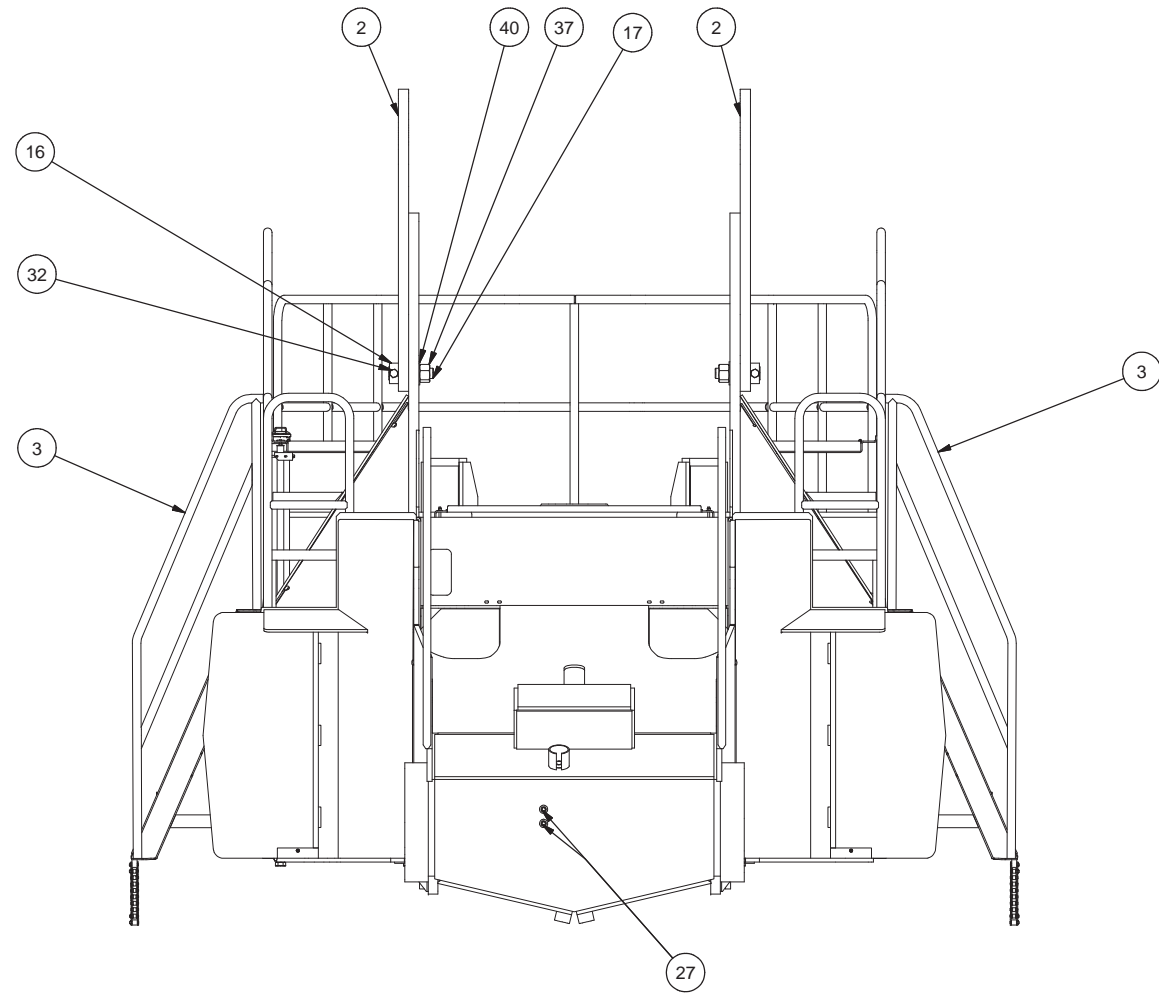
Chassis Assembly

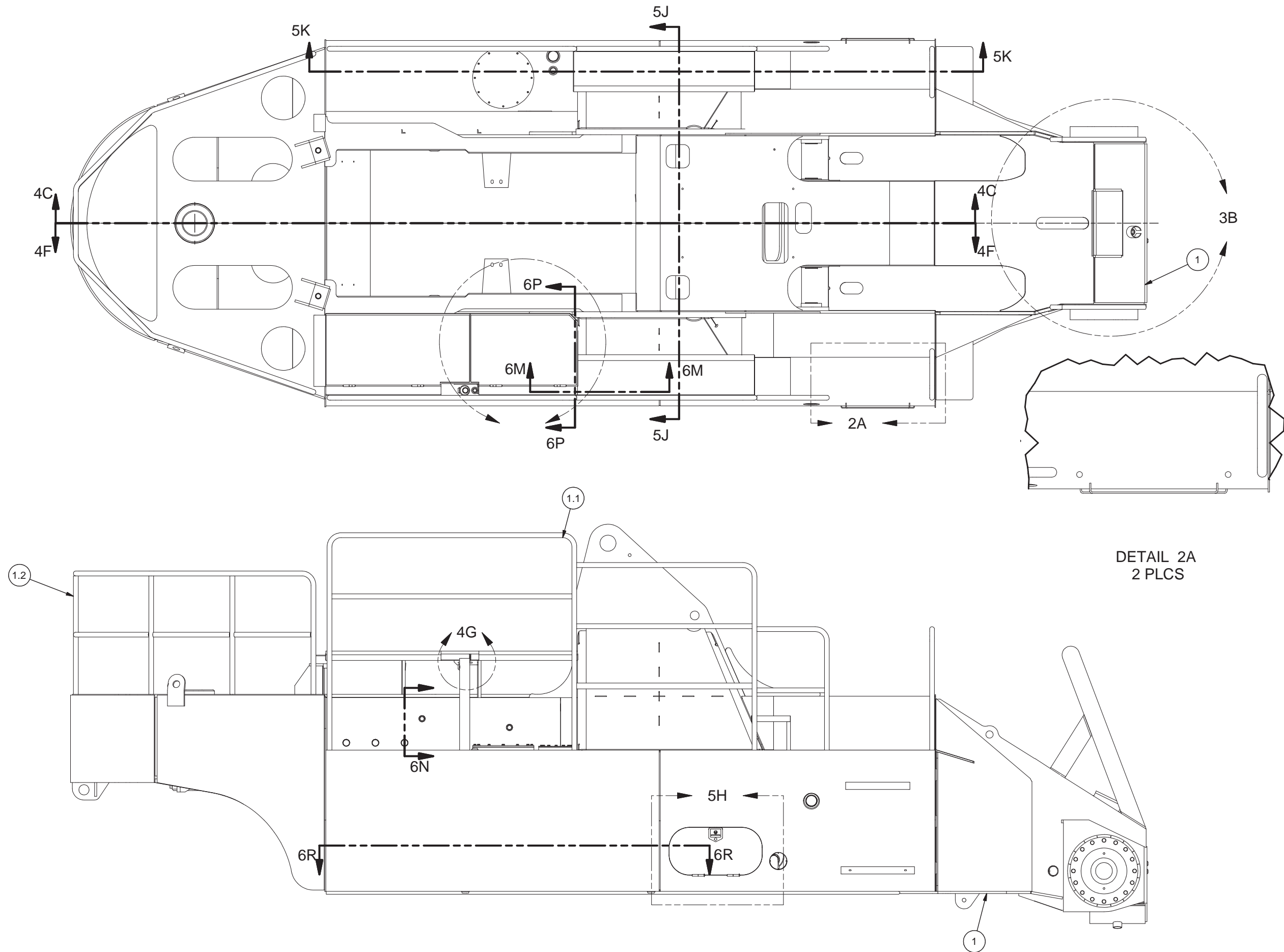
## Chassis Assembly

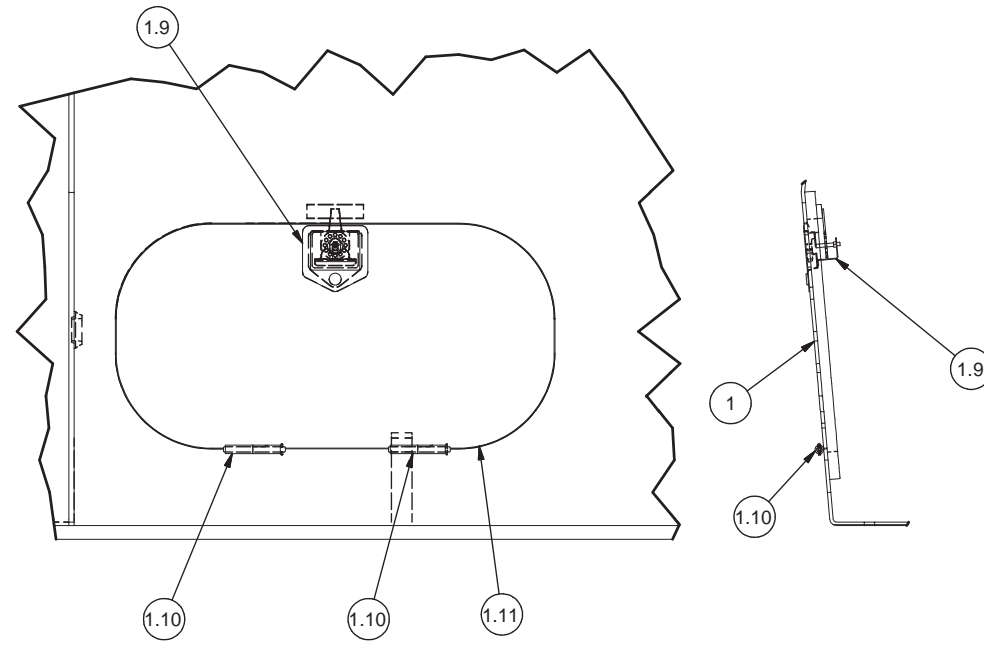
Item	Part No.	Qty	Description	Item	Part No.	Qty	Description
	<b>587435</b>		<b>Chassis Assembly</b>				
1	587437	1	. Chassis Weldment	13	R1917921	1	. Cap
1.1	586238	2	. Handrail	14	571646	1	. Tube,D/Stk
1.2	586239	1	. Handrail	16	522957	2	. Lock Collar
1.3	201569	30	. Flatwasher	17	563700	2	. Pin,Stab Ear
1.4	16830W	30	. Capscrew	18	562966	1	. Dipstick Weldment
1.5	555064	2	. Gasket	19	565059	2	. Bushing
1.6	554445	2	. Manhole Cover	22	209181	1	. Fitting
1.7	562468	1	. Gasket	23	209159	1	. Fitting
1.8	562469	1	. Cover	24	209505	1	. Fitting
1.9	236307	2	. Handle	25	238659	10	. Plate, Magnetic
1.10	551380	4	. Hinge Assembly	26	13987	1	. Fitting
1.11	560101	2	. Door	27	209916	2	. Fitting
1.12	223654	15	. Nut, Lock	28	504541	1	. U-Bolt
1.13	R13806980	15	. Washer, Flat	29	234307	1	. U-Bolt
1.14	554520	1	. Cover	30	221499W	4	. Capscrew
1.15	554150	1	. Cover	32	R13801901	2	. Capscrew
1.16	563775	1	. Gasket	34	R13811191	12	. Locknut
1.17	566785	1	. Plate	36	R13803587	2	. Locknut
2	563265	2	. Plate	37	219930	2	. Nut, Esna
3	573421	2	. Step Weldment	38	223427	15	. Flat Washer
4	587643	1	. Grate Weldment, Rear	40	231359	2	. Flat Washer
5	221839	4	. Stud, Weld	42	* 582455	1	. Battery Box Installation
6	221314	3	. Stud, Weld	43	256895	1	. Fill, Fuel Tank
9	224744	1	. Filler Breather	44	563502	2	. Fender
	230463	1	. Element	45	162572W	4	. Capscrew
10	211398	1	. Draincock				
11	251714	1	. Filler Neck				
12	R14340	1	. Strainer				

\* See Separate Coverage

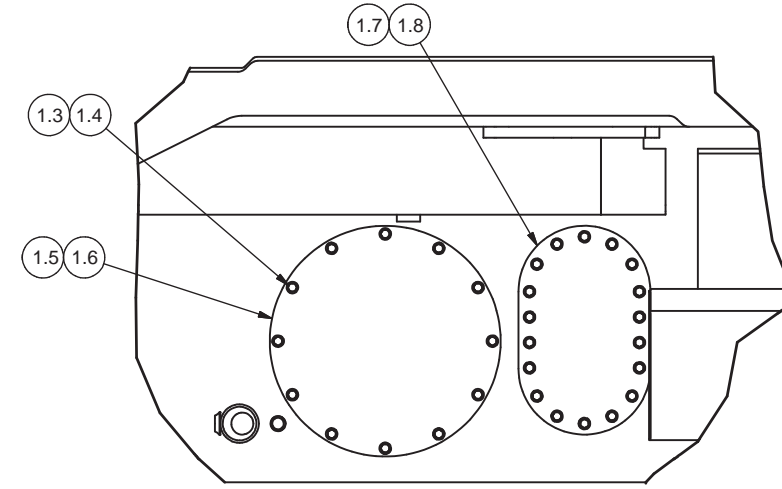




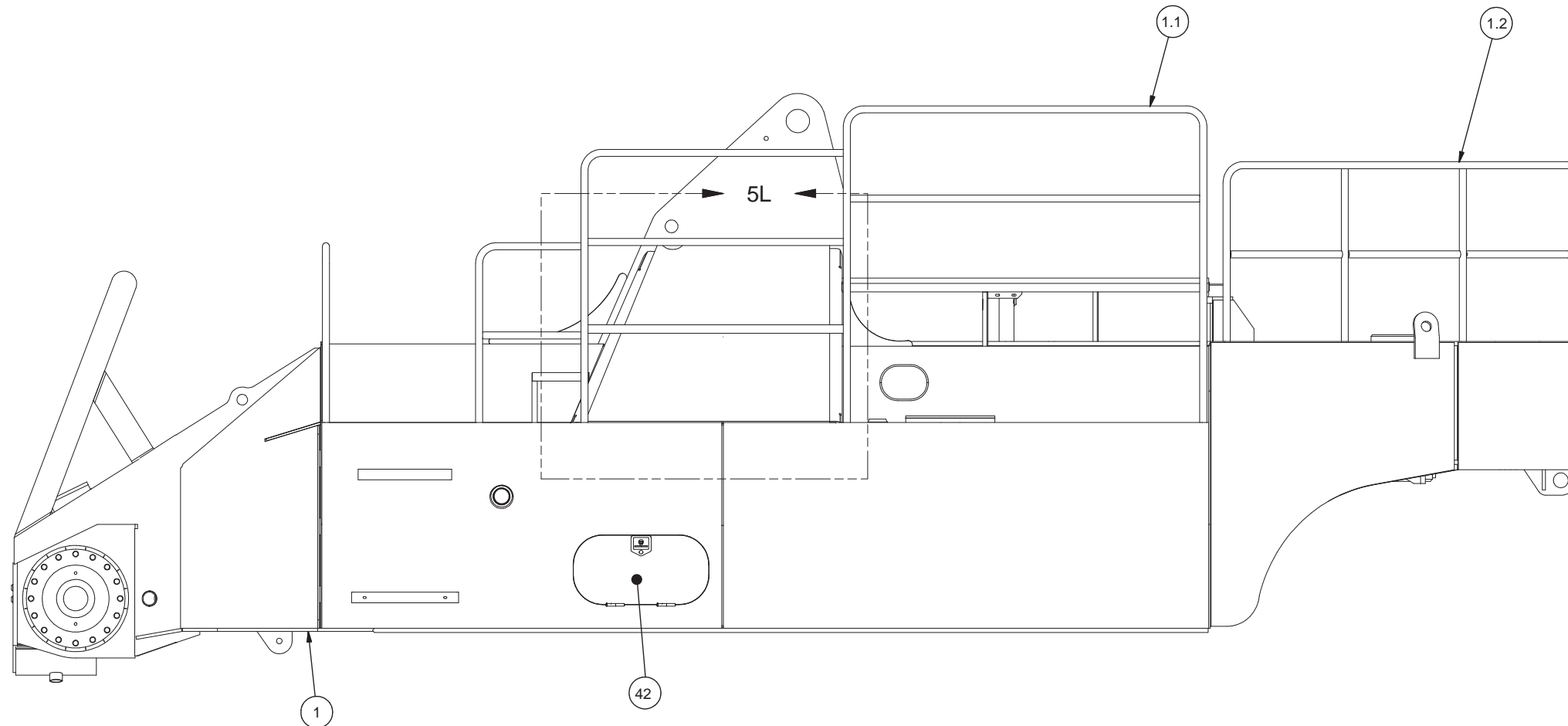


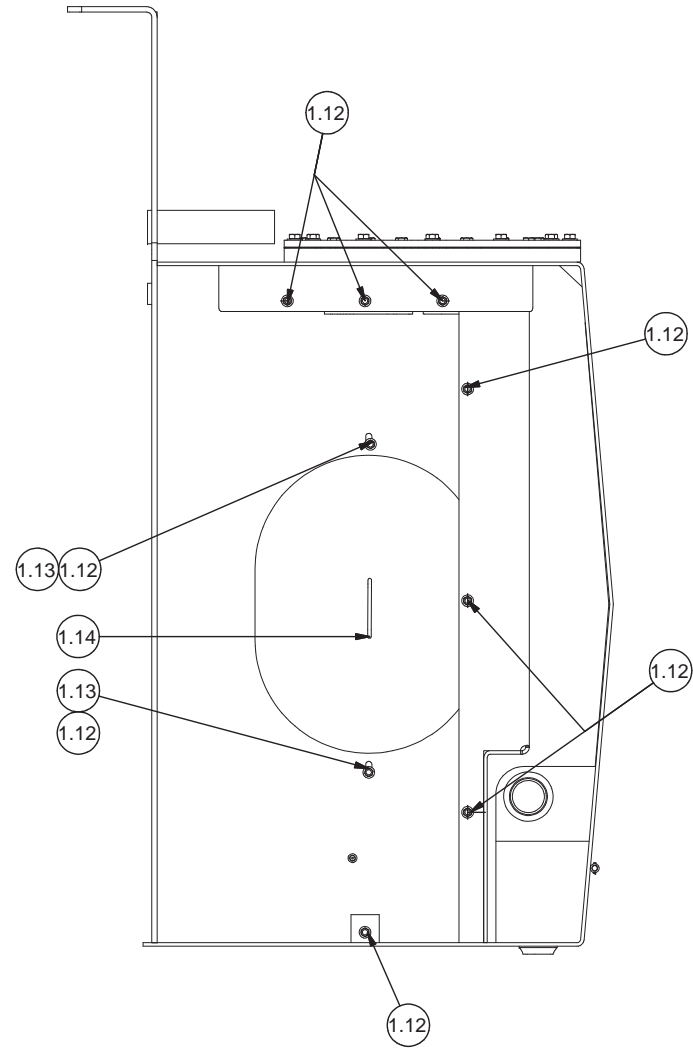


DETAIL 5H

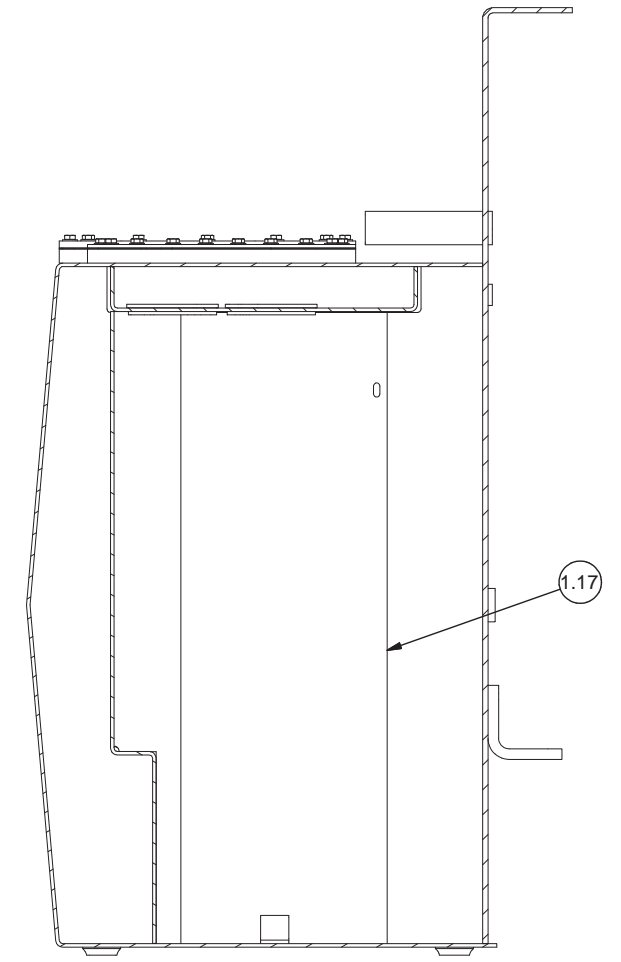
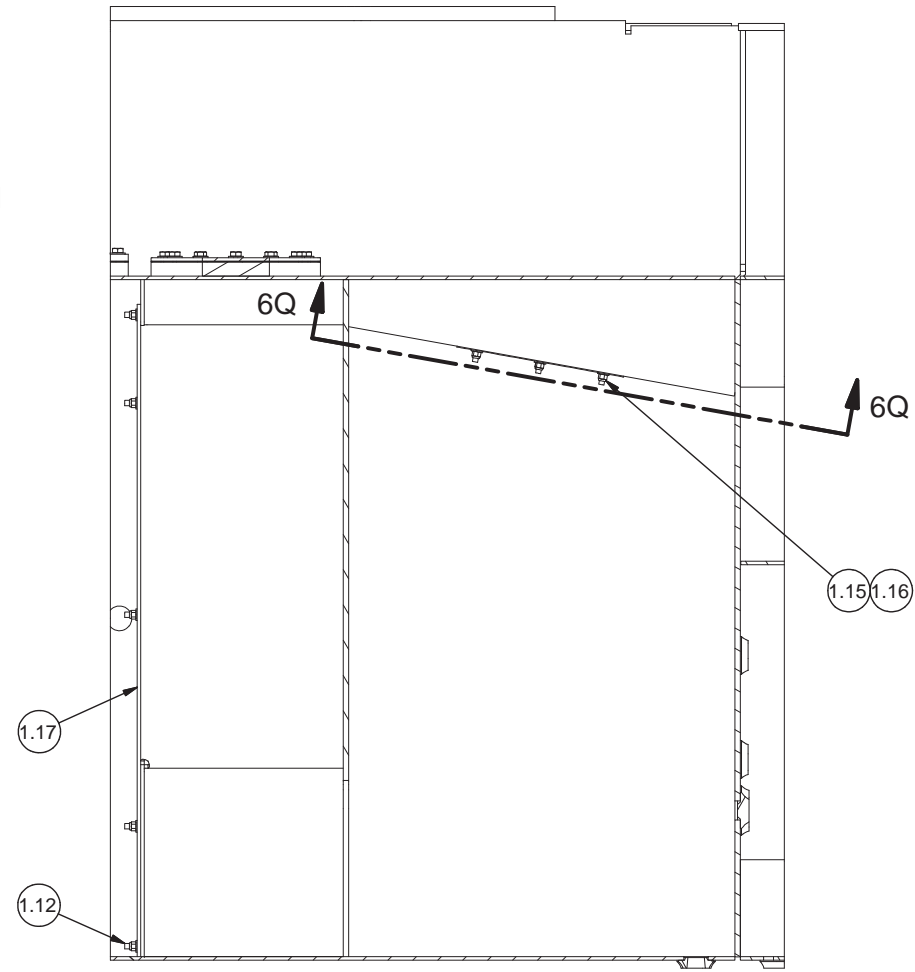


DETAIL 4D

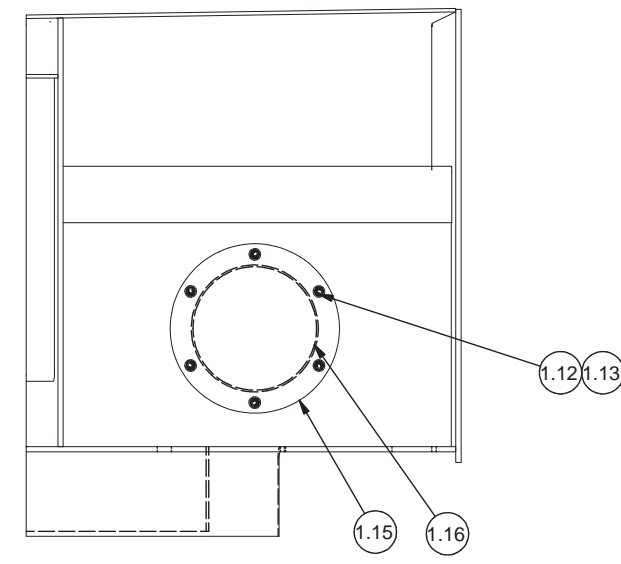




SECTION 6M-6M



SECTION 6P-6P



SECTION 6Q-6Q