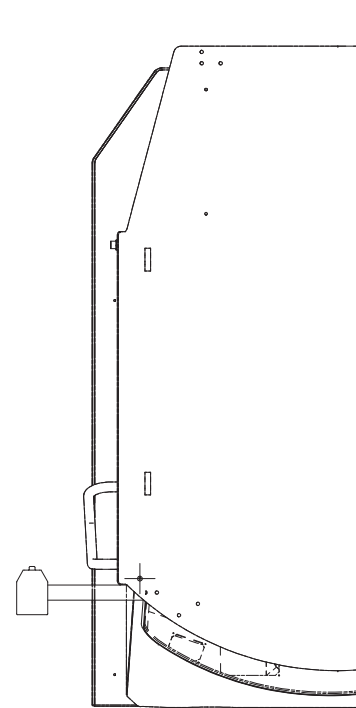
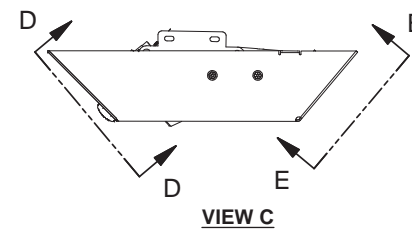

Radio Installation

Radio Installation

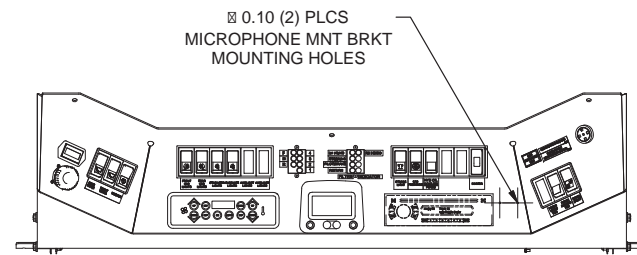
| Item | Part No. | Qty | Description | Item | Part No. | Qty | Description |
|------|---------------|-----|---------------------------|------|----------|-----|-------------|
| | 587182 | | Radio Installation | | | | |
| 1 | 586109 | 1 | . Grommet, Rubber | | | | |
| 2 | 64967 | 6 | . Screw | | | | |
| 3 | R13811437 | 4 | . Flat Washer | | | | |
| 4 | 219390 | 2 | . Loom, Auto | | | | |



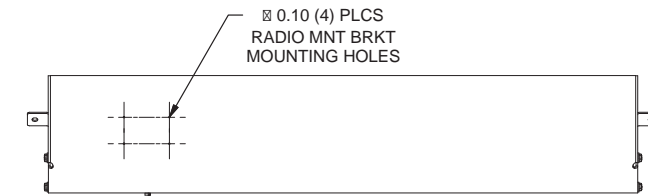
SECTION A-A



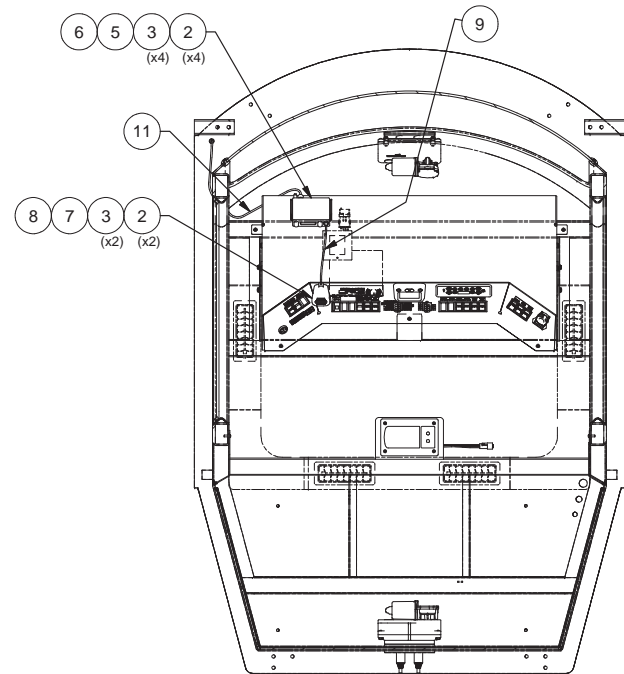
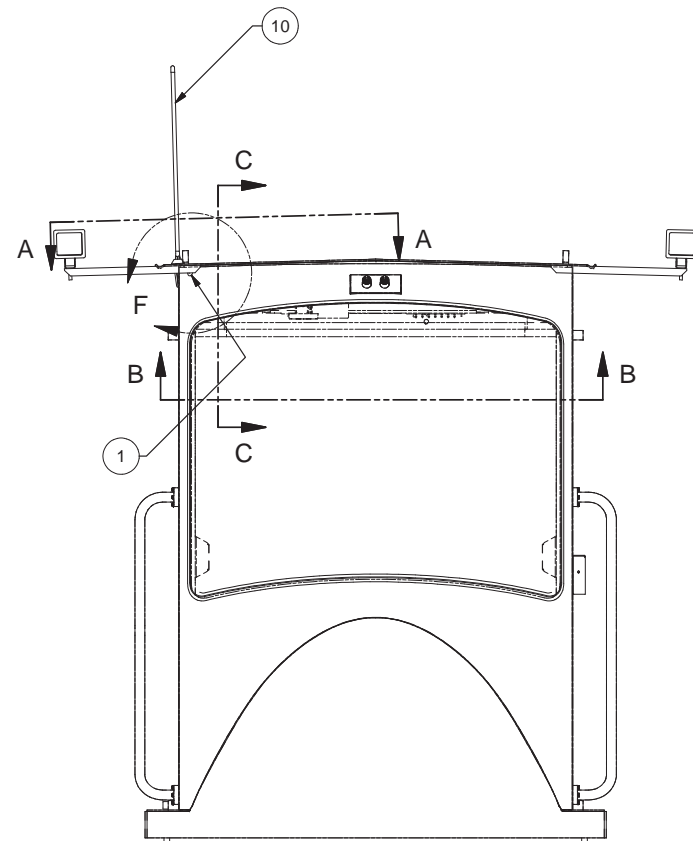
VIEW C



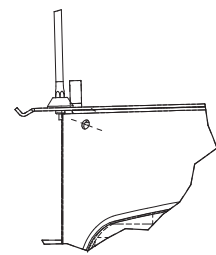
SECTION D-D



SECTION E-E



SECTION B-B



DETAIL F

