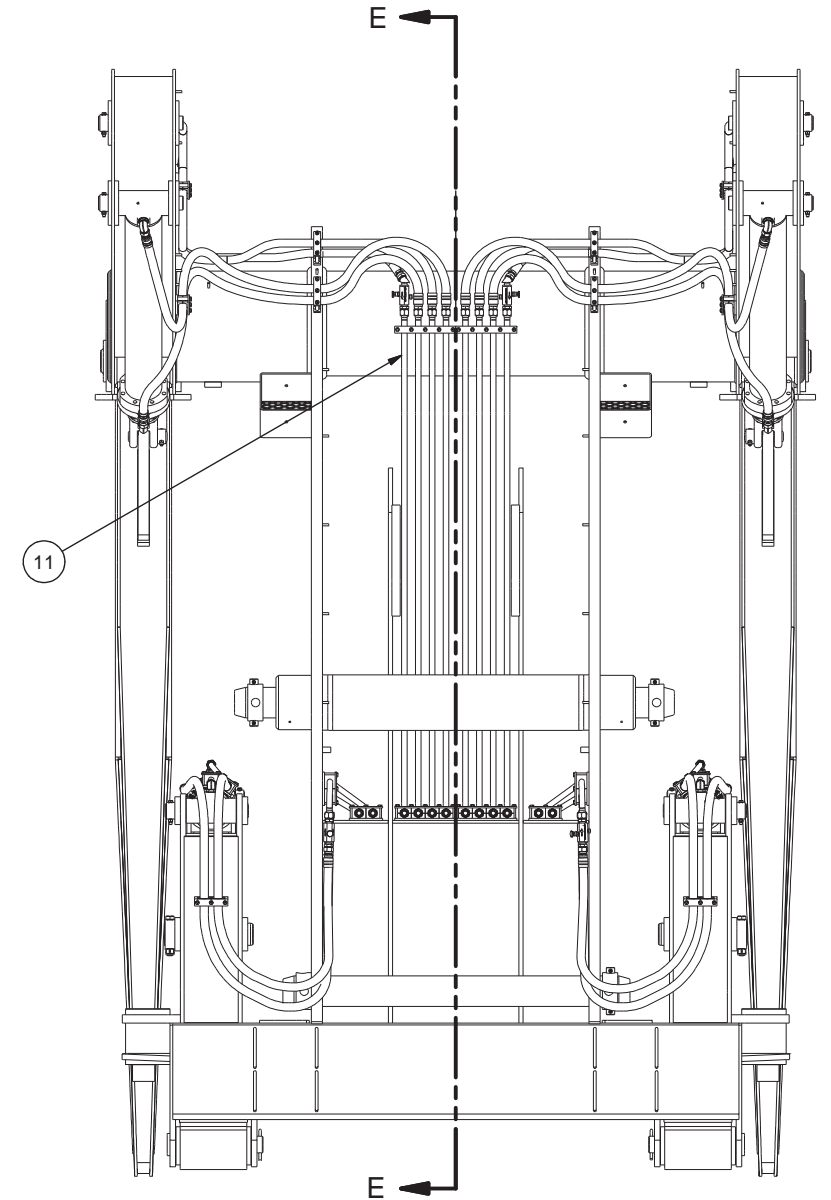
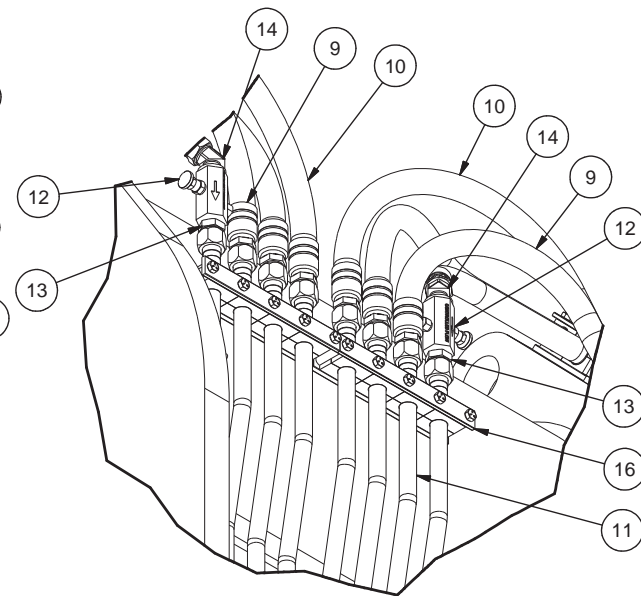
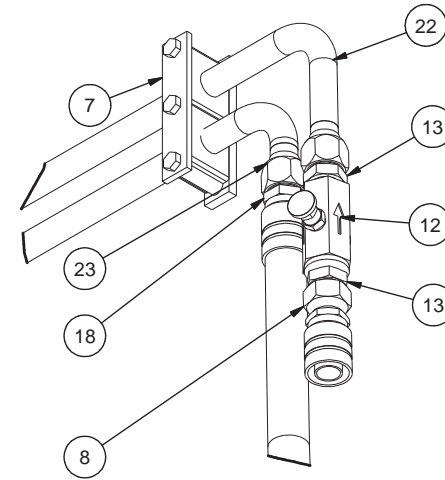
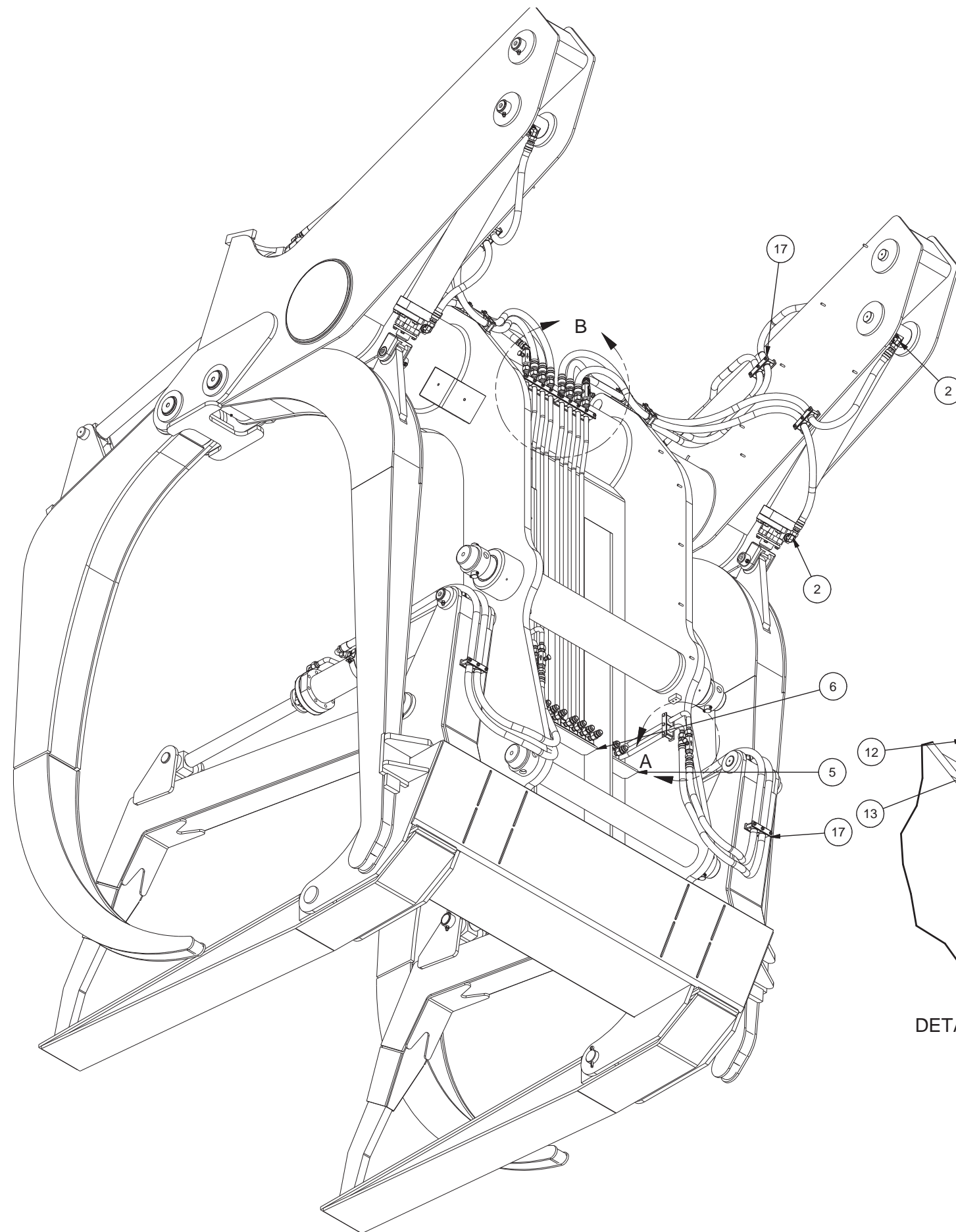
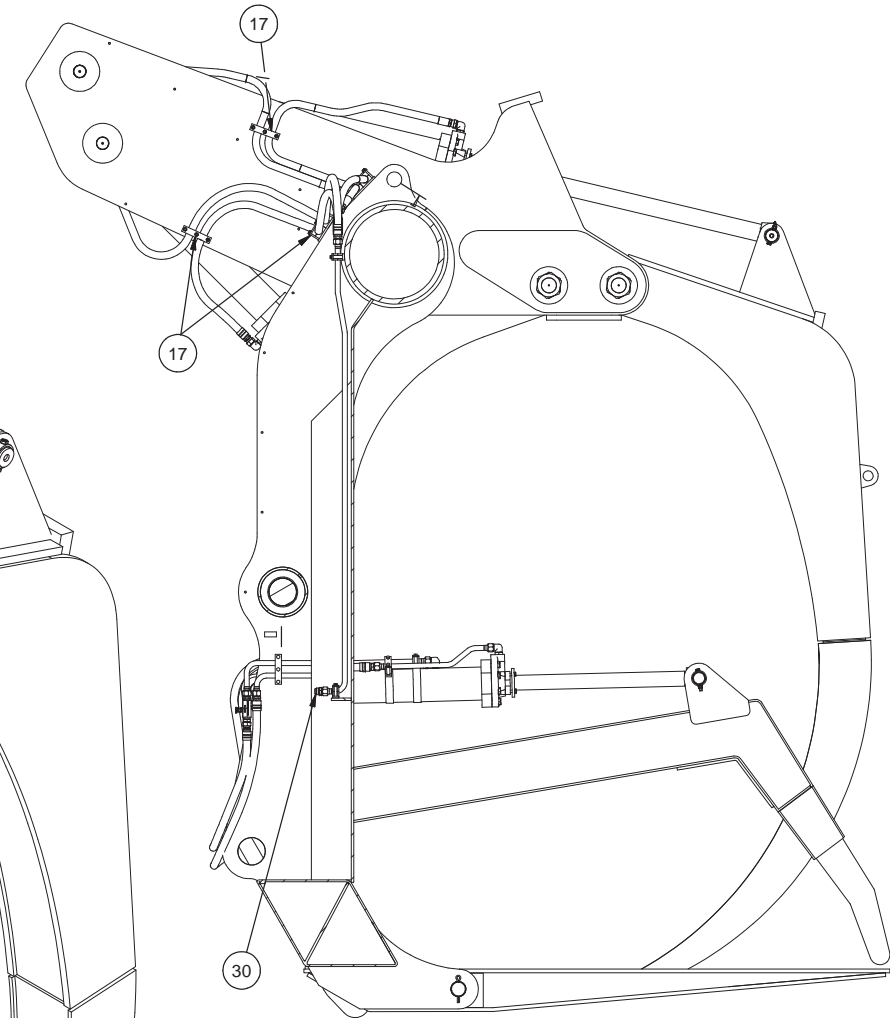
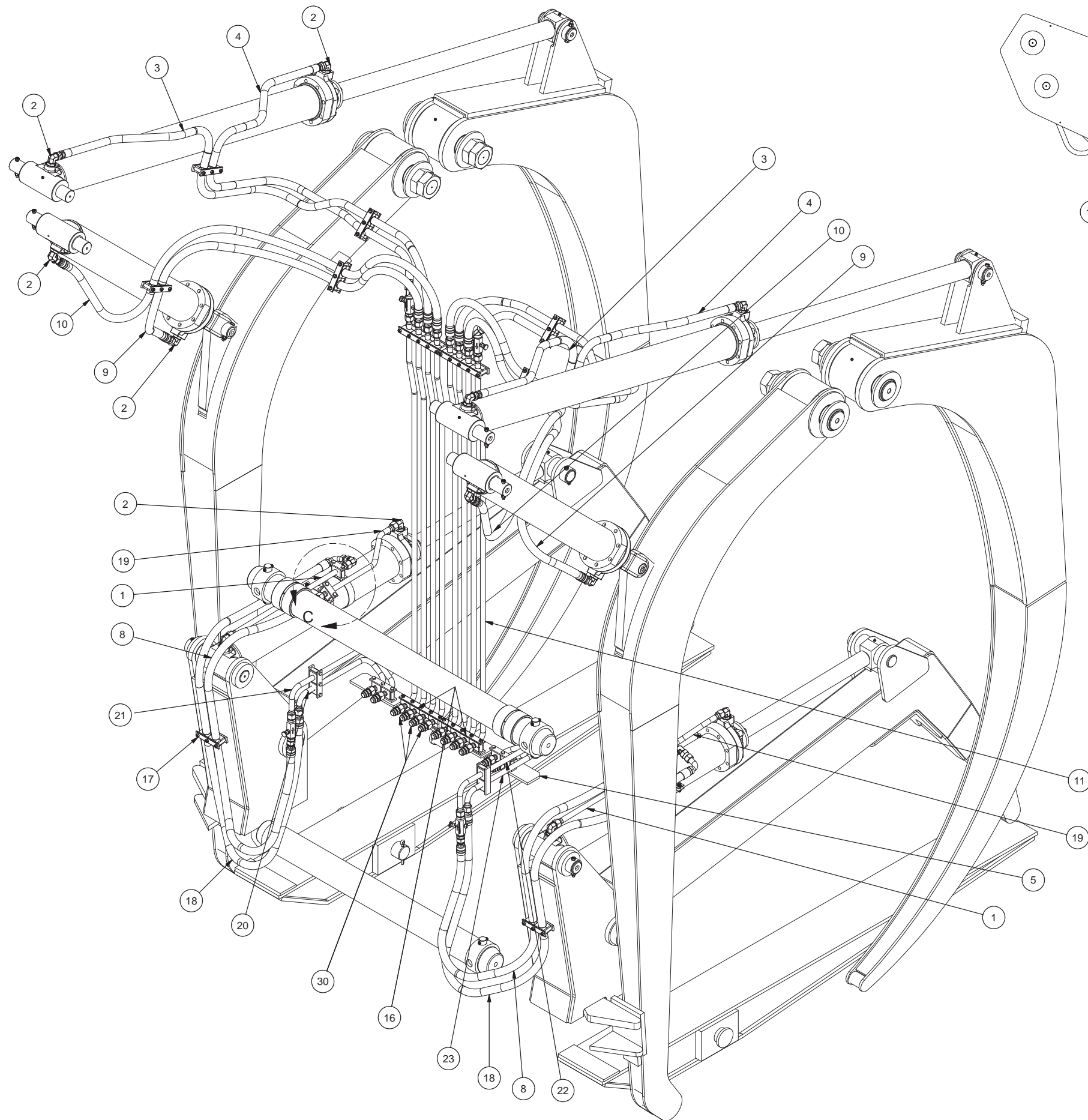

Hydraulic System - Carriage

Hydraulic System - Carriage

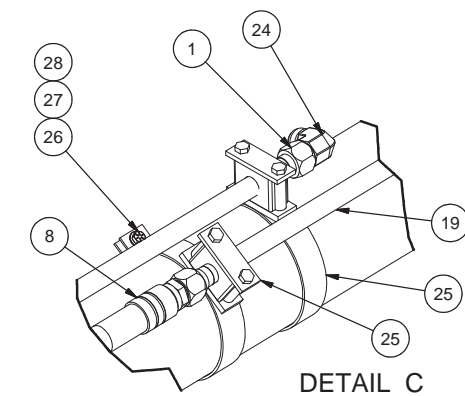
Item	Part No.	Qty	Description	Item	Part No.	Qty	Description
	586790		Hydraulic System-Carriage				
1	574191	2	. Tube Assembly	17	228961	10	. Clamp
2	209715	12	. Fitting	18	*a 587520	2	. Hose Assembly
3	*a 587519	2	. Hose Assembly	19	566573	2	. Tube Assembly
4	*a 229281	2	. Hose Assembly	20	587326	1	. Tube Assembly, LH Lower
5	579227	2	. Plate	21	587325	1	. Tube Assembly, LH Upper
6	574069	1	. Plate	22	587327	1	. Tube Assembly, RH Upper
7	225310	4	. Clamp	23	587328	1	. Tube Ass, RH Lower
8	*a 587521	2	. Hose Assembly	24	210069	2	. Fitting
9	*a 247819	2	. Hose Assembly	25	562456	4	. Clamp Weldment
10	*a 229024	2	. Hose Assembly	26	Y17C-0624	4	. Capscrew
11	574022	8	. Tube Assembly	27	R13806980	8	. Flat Washer
12	21199	4	. Flow Control Valve	28	237567	4	. Nut
13	209760	6	. Fitting	30	209442	12	. Fitting
14	209860	2	. Fitting				
16	225216	4	. Clamp				

* See Separate Coverage
 *a Included in KIT 587626





SECTION E-E



DETAIL C