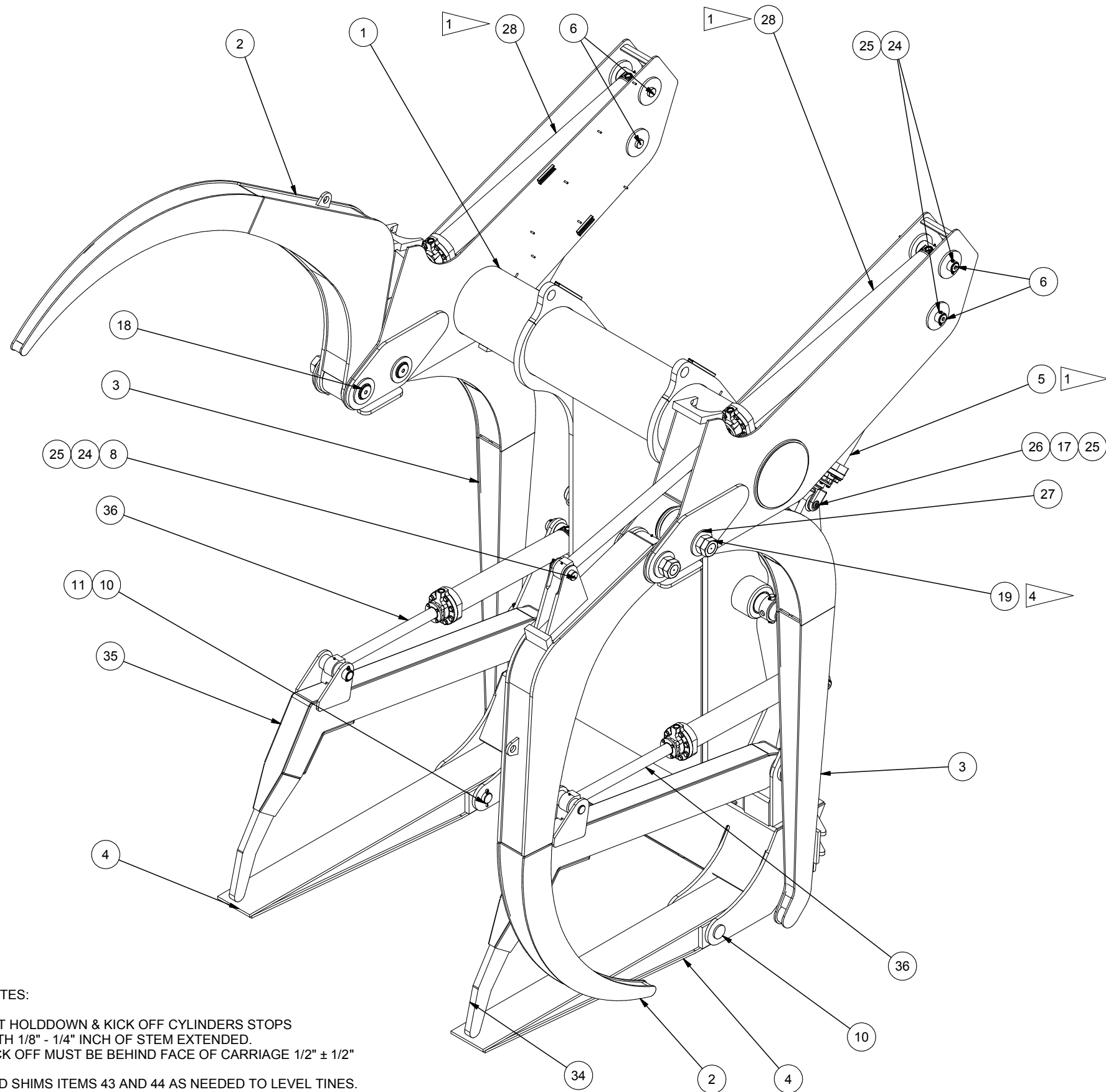

Carriage Assembly

Carriage Assembly

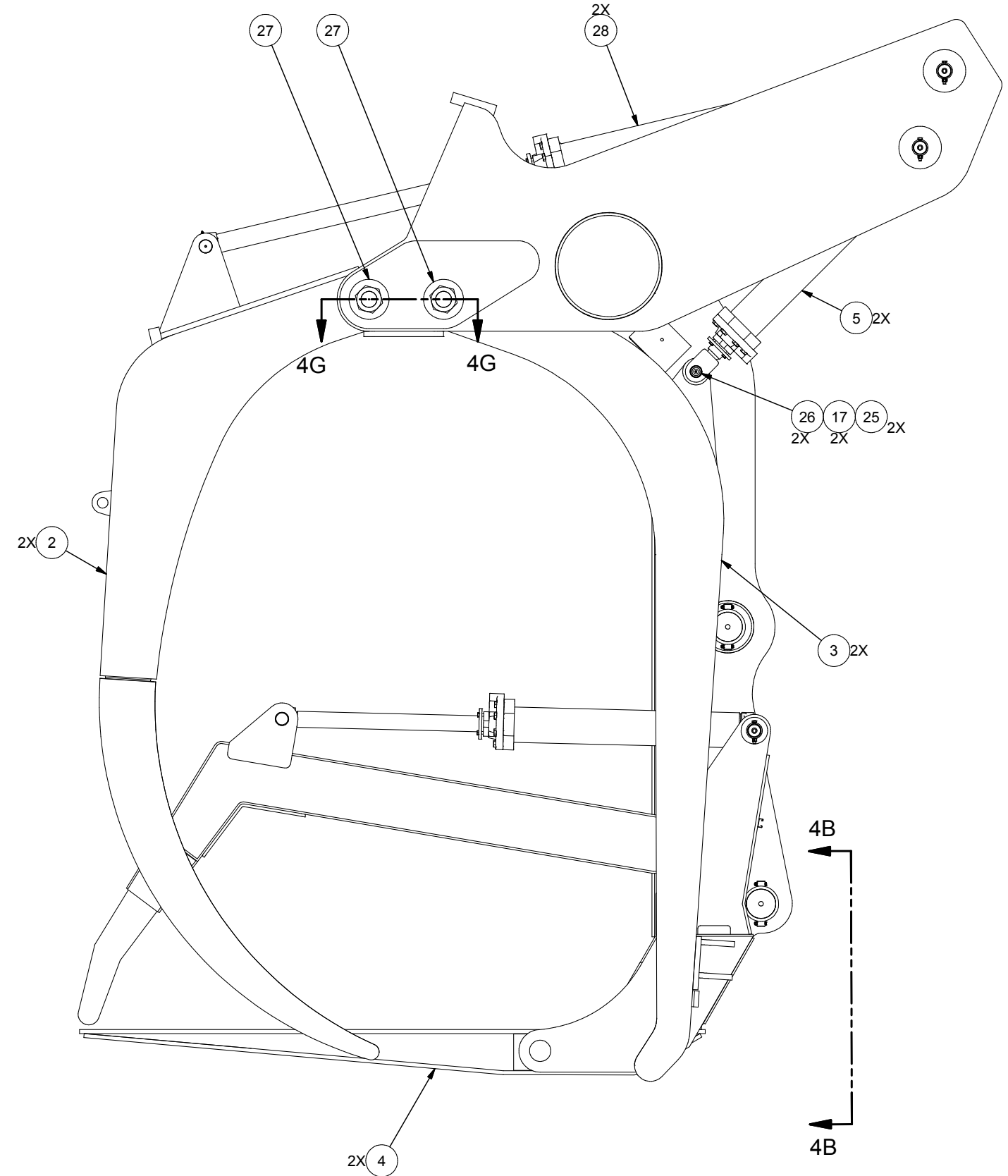
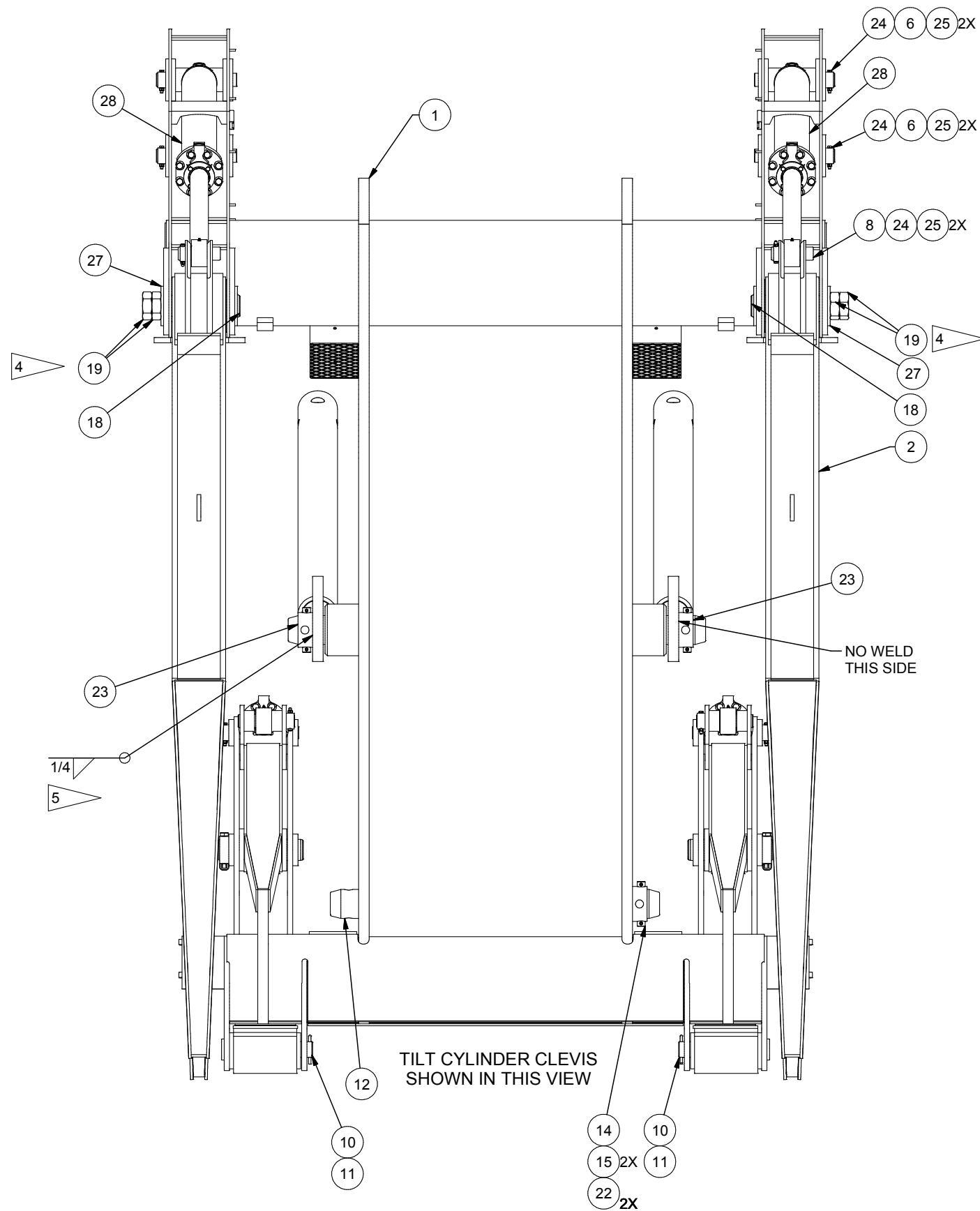
Item	Part No.	Qty	Description	Item	Part No.	Qty	Description
	586789		Carriage Assembly				
1	586921	1	. Carriage Head	24	R13811085	10	. Capscrew
2	579450	2	. Holddown Assembly	25	224202	12	. Nut, Esna
	534117	2	.. Bushing	26	541616	2	. Pin
3	574516	2	. Kickoff Assembly	27	562555	4	. Plate, Spacer
	501571	1	.. Bushing	28	* 574867	2	. Cylinder Assembly, HD
	534117	2	.. Bushing	31	562852	1	. Pin, Pivot
4	526133	2	. Tine	34	580280	1	. Arm Assembly, LH Aux HD
5	* 526164	2	. Cylinder Assembly, KO		523541	1	.. Bushing
6	500418	4	. Pin		525459	1	.. Spacer
7	561170	2	. Bushing	35	580281	1	. Arm Assembly, RH Aux HD
8	505841	2	. Pin		523541	1	.. Bushing
10	526294	2	. Pin Assembly		525459	1	.. Spacer
11	220275	2	. Cotter Pin	36	* 524403	2	. Cylinder Assembly, Aux HD
12	562851	1	. Pin	38	505202	2	. Pin
14	563280	3	. Pin	39	525424	2	. Pin
15	R13811039	6	. Capscrew	40	527477	2	. Pin
16	519440	2	. Plate	41	219901	2	. Capscrew
17	R13811083	2	. Capscrew	42	09419536	2	. Locknut
18	573783	4	. Pin Assembly	43	Y.13HS-3.50X11.50	2	. Plate
19	219928	8	. Jam Nut	44	Y.25HS-3.50X11.50	2	. Plate
22	223654	6	. Locknut	45	550986	4	. Shim
23	563243	2	. Lock Collar				

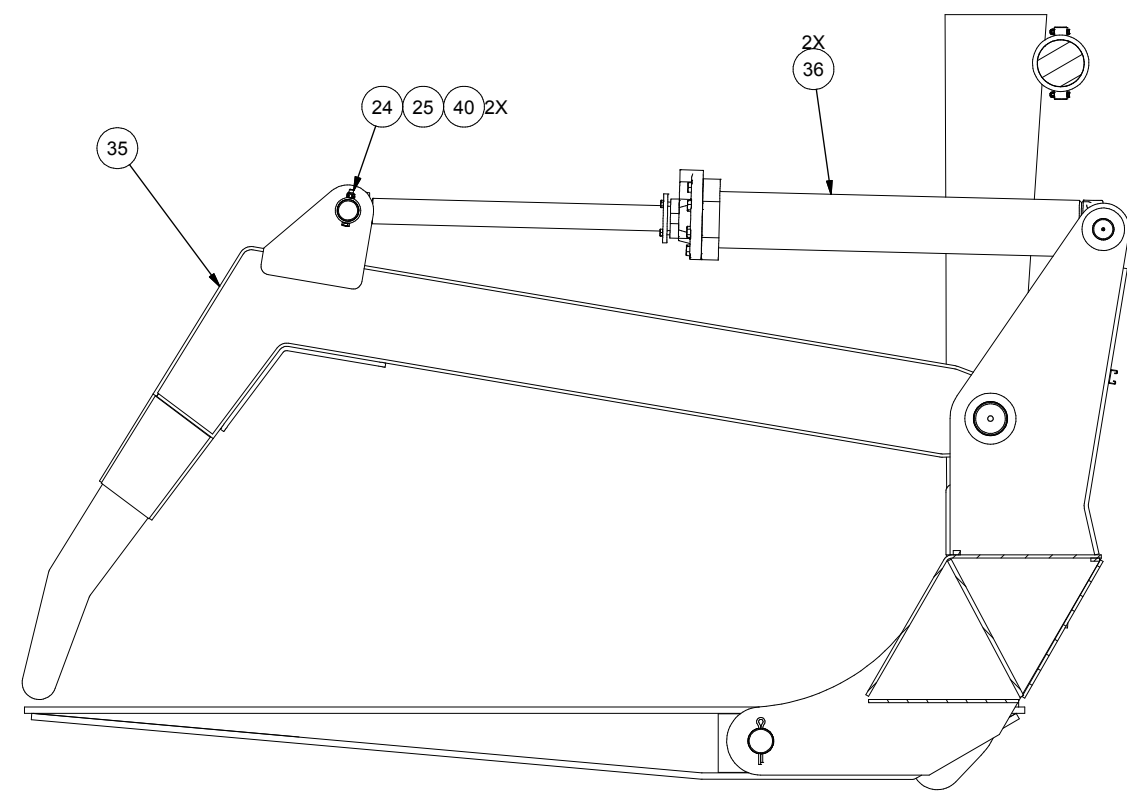
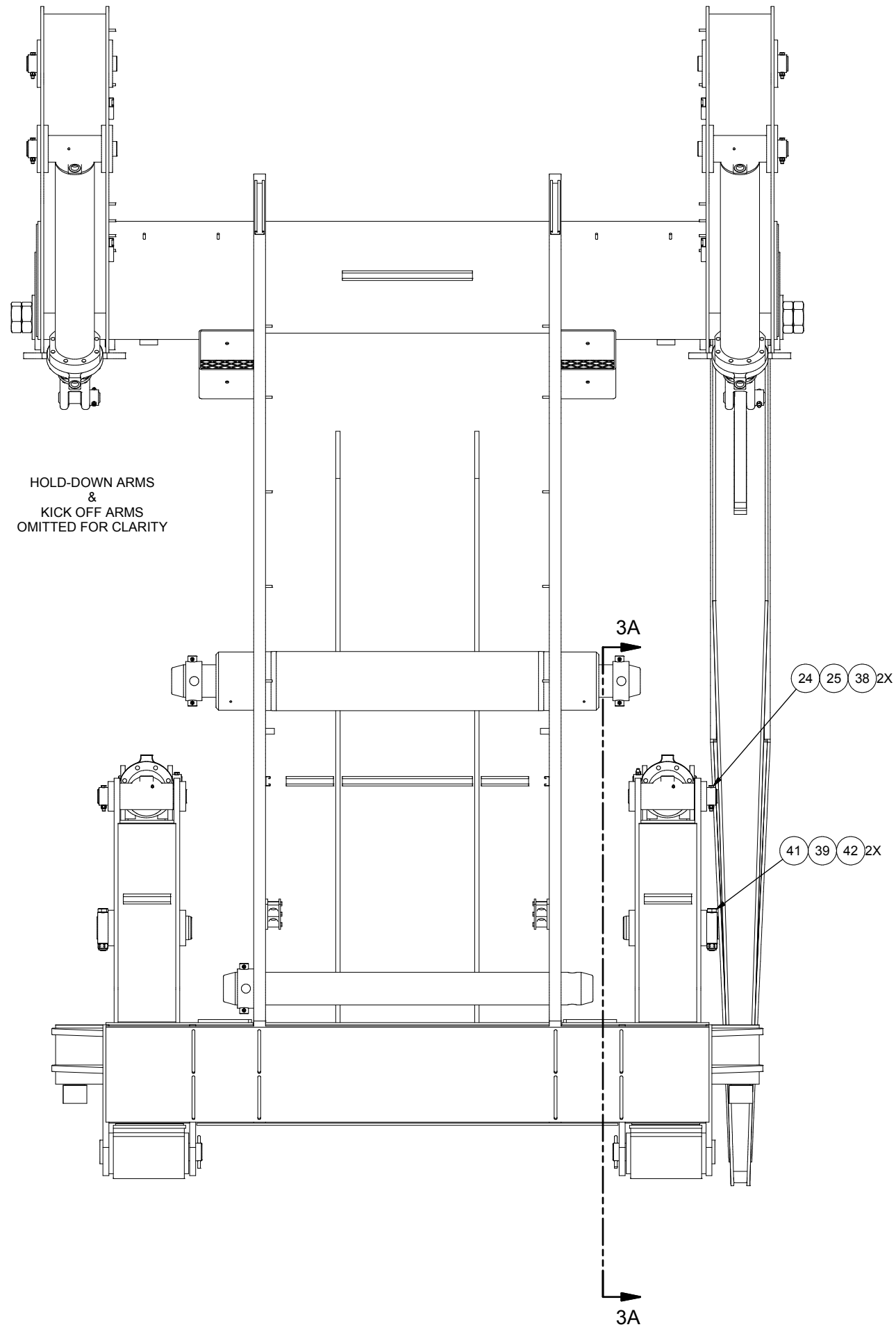
* See Separate Coverage
na Not Applicable



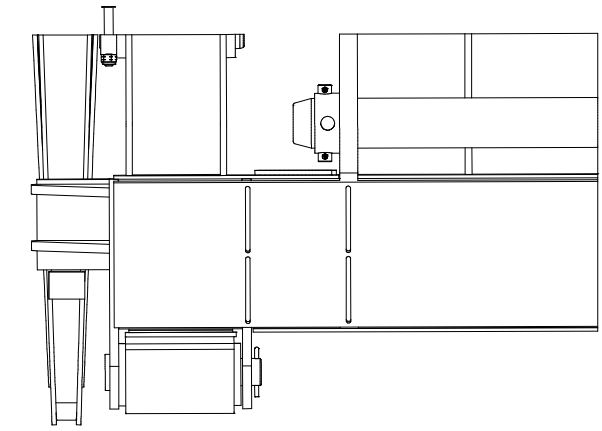
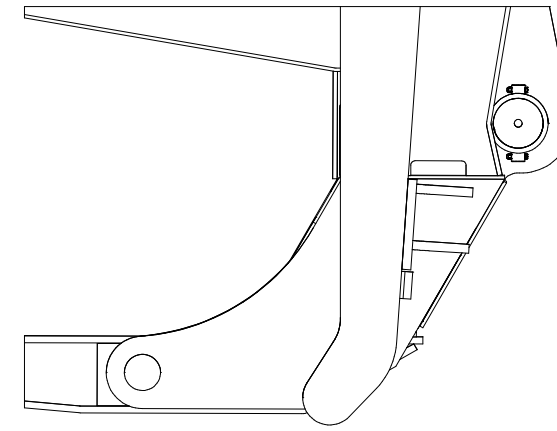
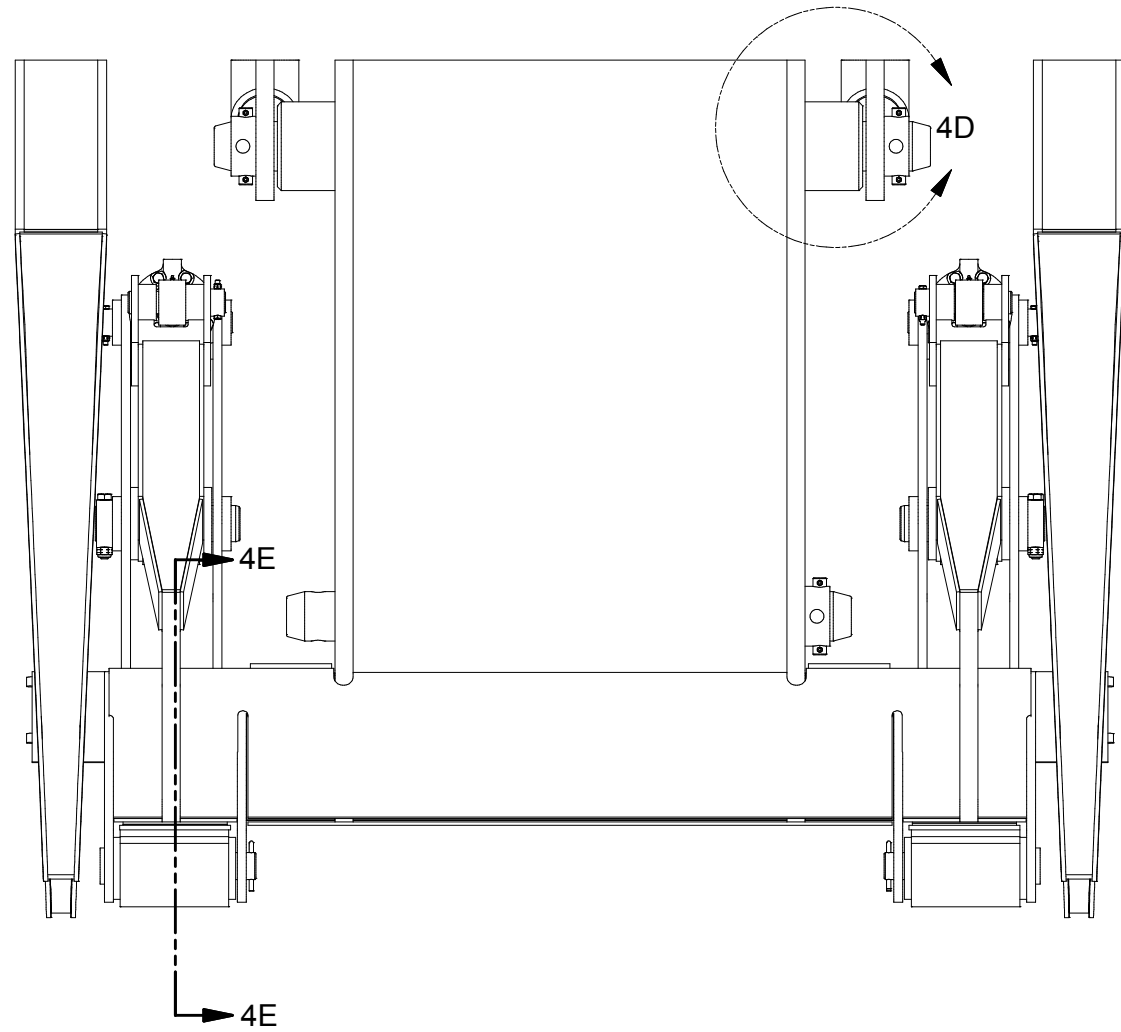
NOTES:

- 1 SET HOLDDOWN & KICK OFF CYLINDERS STOPS WITH 1/8" - 1/4" INCH OF STEM EXTENDED. KICK OFF MUST BE BEHIND FACE OF CARRIAGE 1/2" ± 1/2"
- 2 ADD SHIMS ITEMS 43 AND 44 AS NEEDED TO LEVEL TINES. WELD SHIM IN-BETWEEN ITEM 1 AND ITEM 4.
- 3 ADD SHIMS, ITEM 45 AS NEEDED TO MINIMIZE GAP (.13" GAP MAX).
- 4 TORQUE INNER NUT TO 1000 FT-LBS WITH ANTI-SEIZE. TORQUE OUTER NUT TO 2000 FT-LBS WITH ANTI-SEIZE.
- 5 WELD LOCK COLLAR TO THE STABILIZER CYLINDER EAR WITH THE LOCK PIN IN THE VERTICAL ORIENTATION. ONE SIDE ONLY.

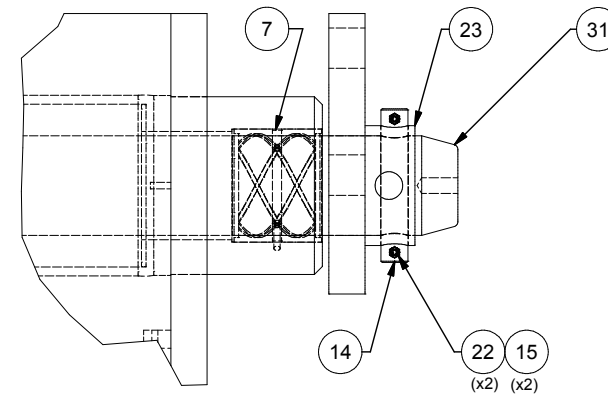




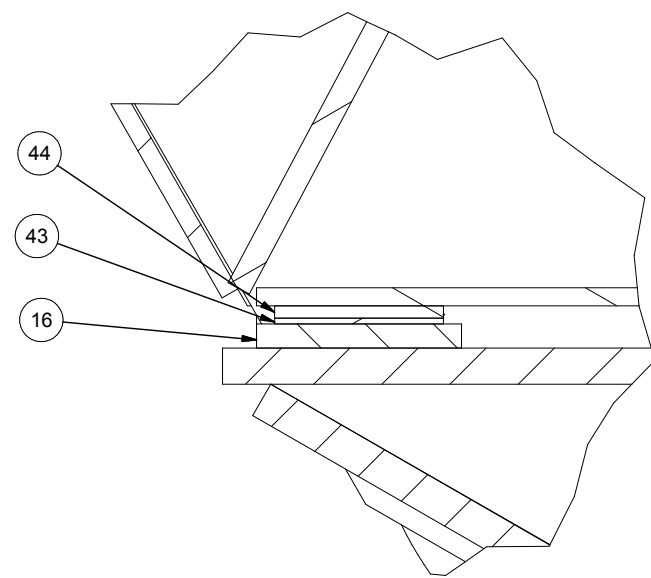
SECTION 3A-3A



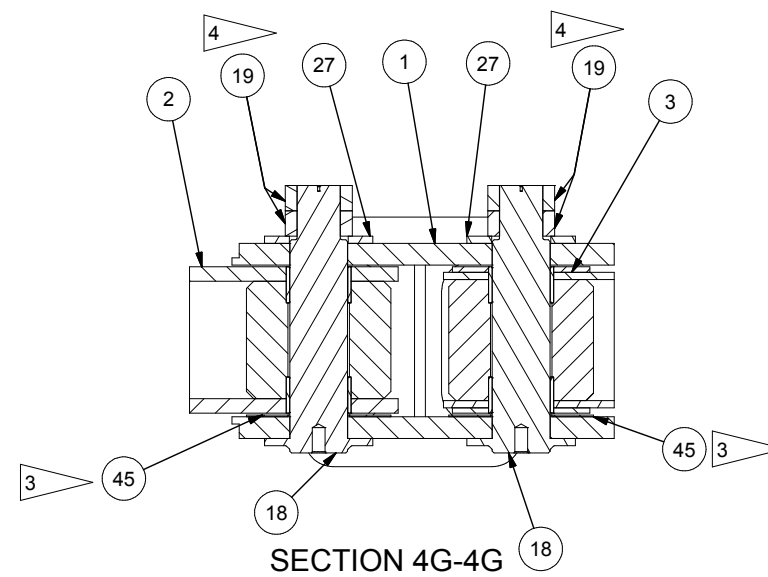
SECTION 4B-4B



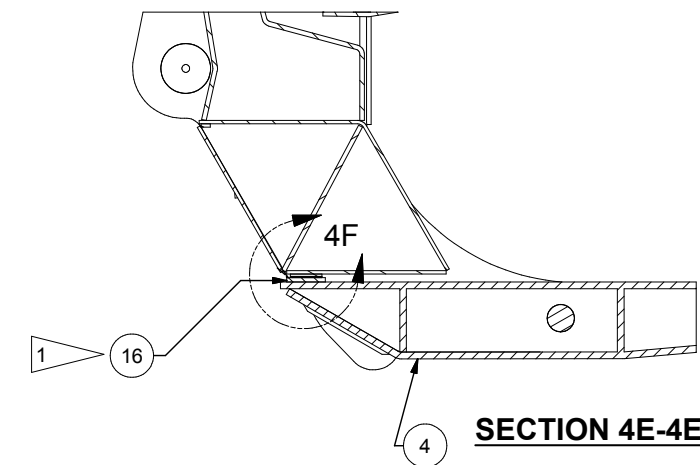
DETAIL 4D
(TYP)



DETAIL 4F



SECTION 4G-4G



SECTION 4E-4E