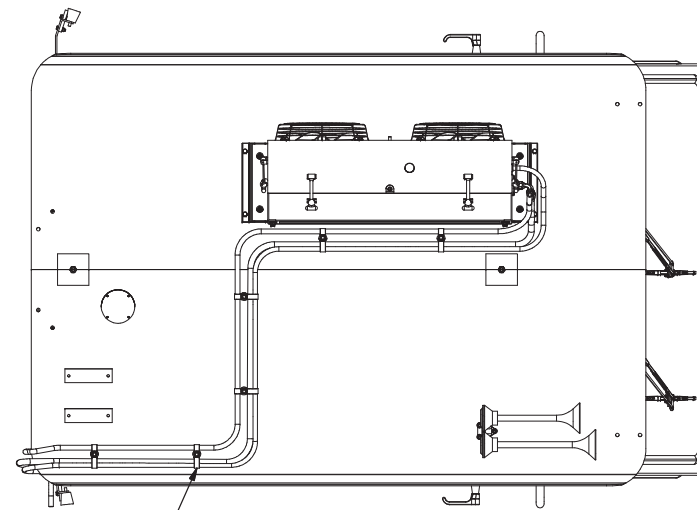

Air Conditioner/Heater

Air Conditioner/Heater

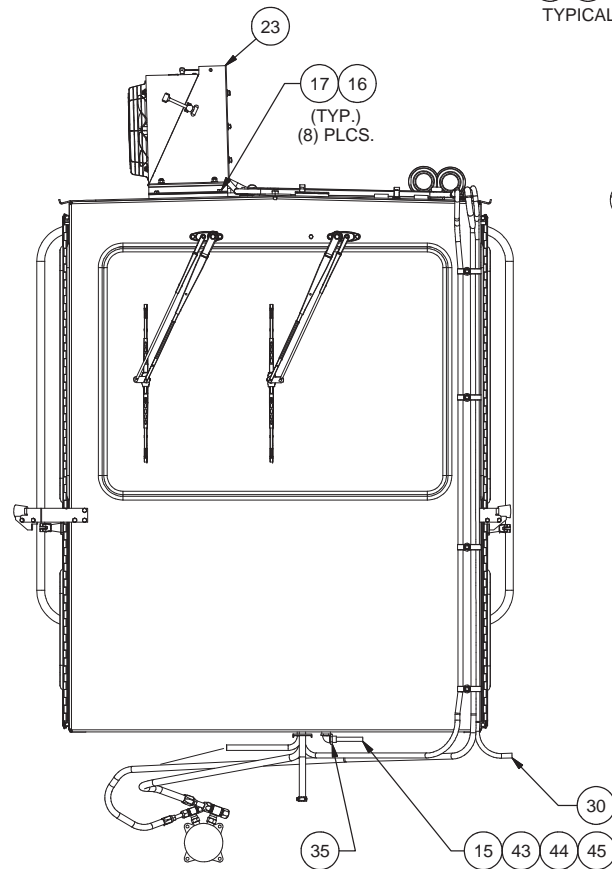
Item	Part No.	Qty	Description	Item	Part No.	Qty	Description
	586787		Air Conditioner/Heater				
1	* 238382	1	. Air Conditioner/Heater	25	R13811191	10	. Locknut
2	R1933720	1	. Button Plate	26	R13811431	10	. Hard Washer
4	203190	26'	. Hose, Heater	30	222403	27'	. Cord, So
5	201431	4	. Hose Clamp	31	218435	10	. Washer
7	586984	1	. Hose Assembly	32	223871	6	. Lockwasher
8	586954	1	. Hose Assembly	33	572532	2	. Decal
9	238385	1	. Gasket	35	237557	1	. Connector, Cord
10	259150	1	. Hose Assembly,A/C	36	R13810989	6	. Capscrew
15	208788	15'	. Cord	37	2500113	15'	. Hose, Bulk
16	223657	8	. Lockwasher	43	232908	1	. Relay
17	R13811010	8	. Capscrew	44	232909	1	. Relay Socket
18	227398	10	. Clamp	45	232910	1	. Relay Spring
23	* 240063	1	. Condenser, Remote				
24	209588	10	. Clip				

* See Separate Coverage



TOP VIEW

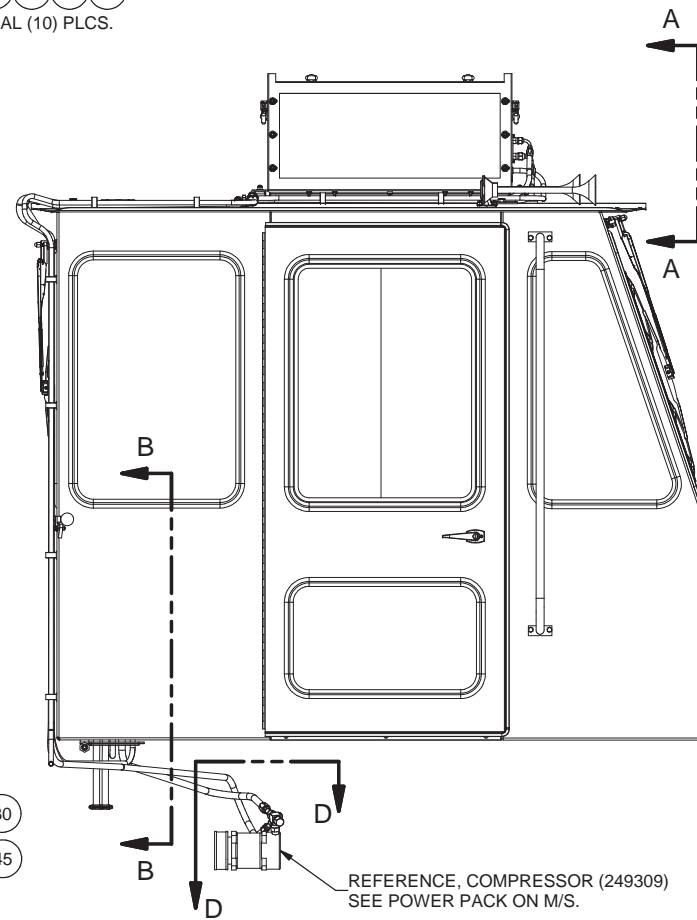
31 26 25 24 18
TYPICAL (10) PLCS.



BACK VIEW

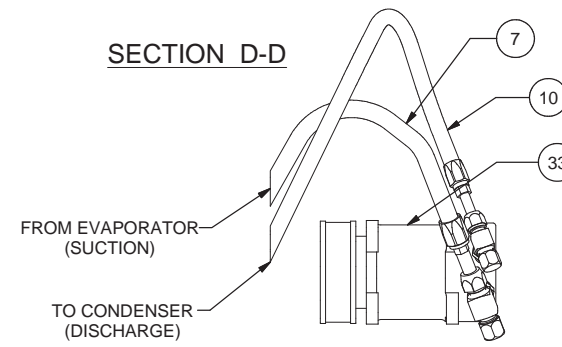
NOTE:

- 2. A/C SYSTEM IS DESIGNED FOR 134a REFRIGERANT.
- 3. USE P.N. 238728 REFRIGERANT TO CHARGE A/C SYSTEM.



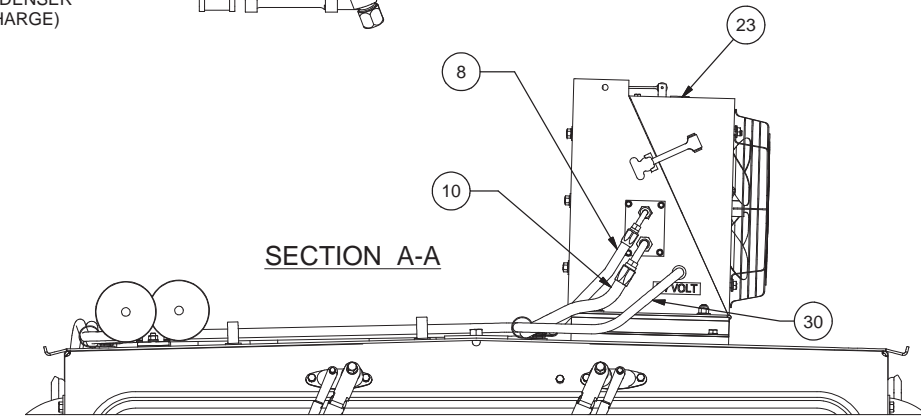
SIDE VIEW

REFERENCE, COMPRESSOR (249309)
SEE POWER PACK ON M/S.

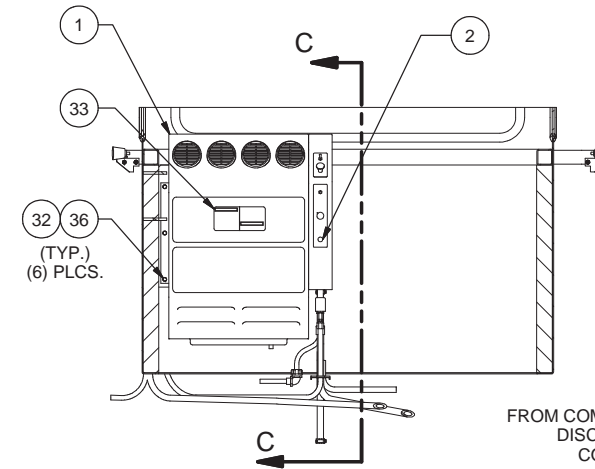


SECTION D-D

FROM EVAPORATOR
(SUCTION)
TO CONDENSER
(DISCHARGE)



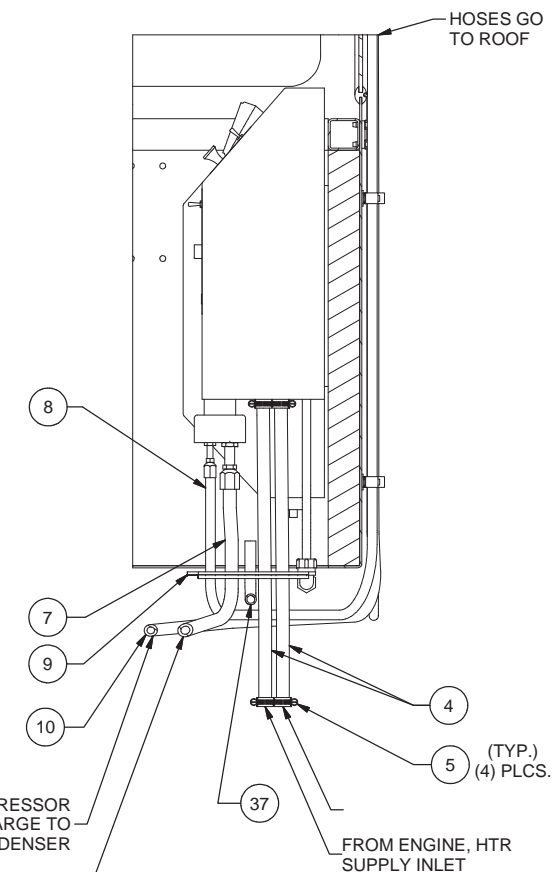
SECTION A-A



SECTION B-B

32 36
(TYP.)
(6) PLCS.

FROM COMPRESSOR
DISCHARGE TO
CONDENSER
TO COMPRESSOR
SUCTION



SECTION C-C

HOSES GO
TO ROOF

FROM ENGINE, HTR
SUPPLY INLET