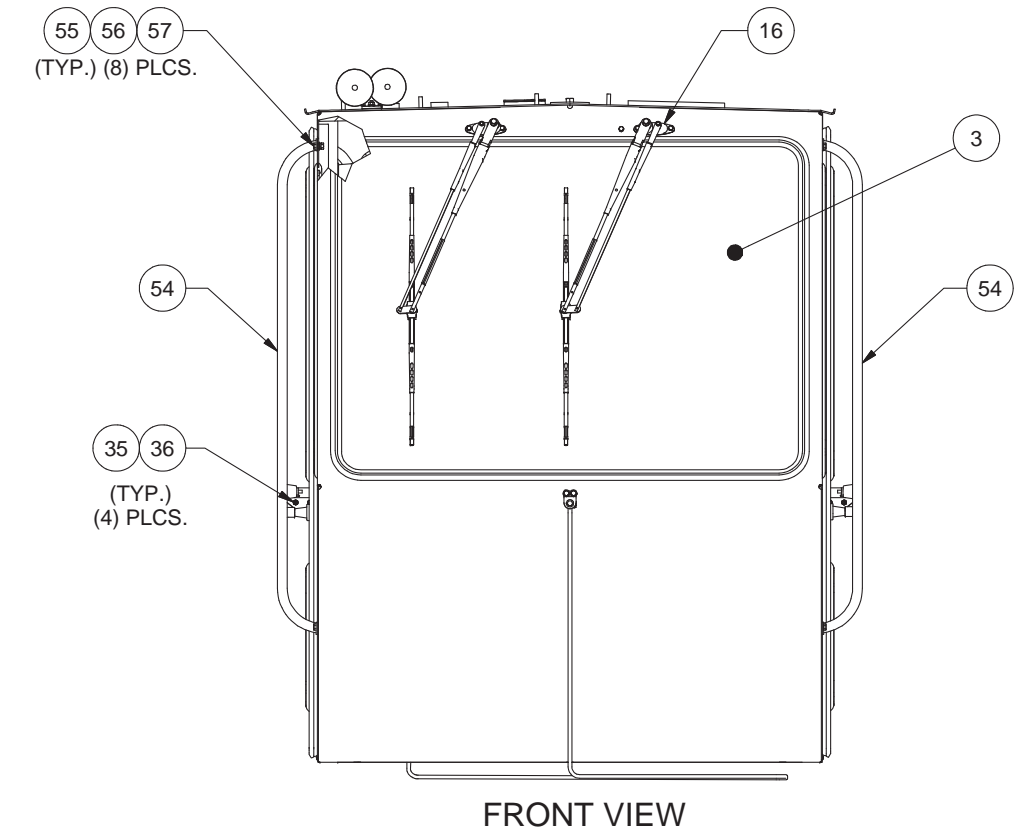
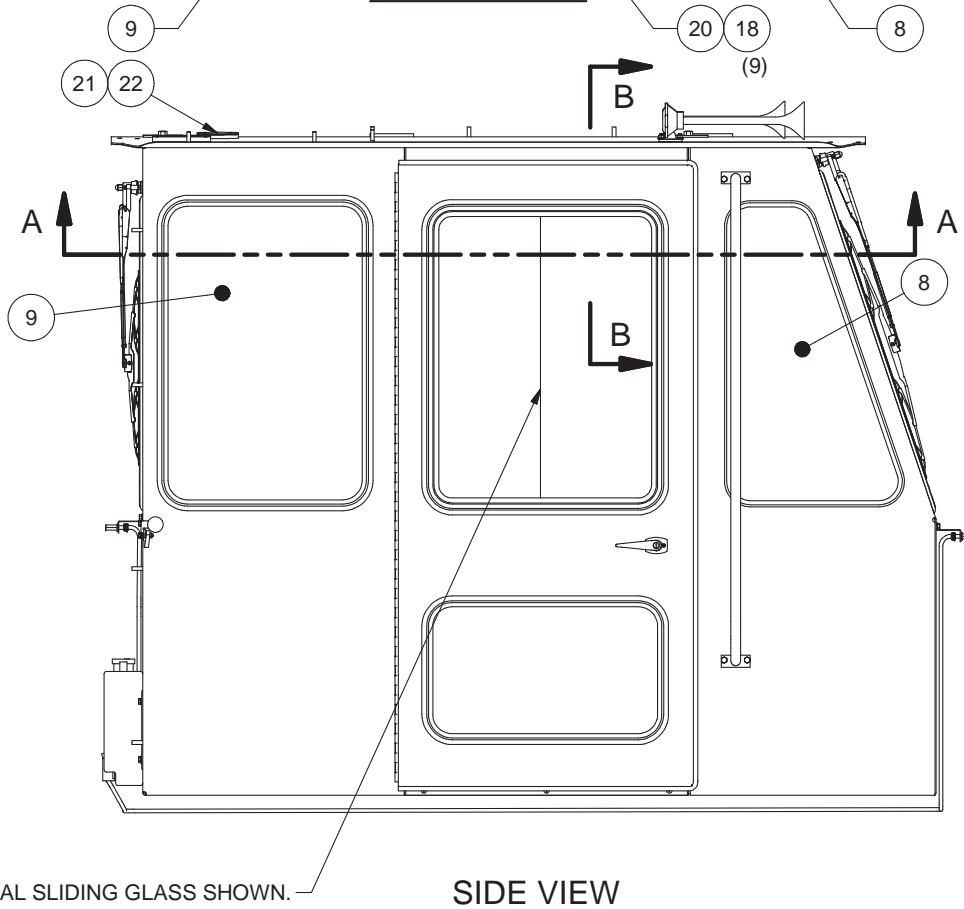
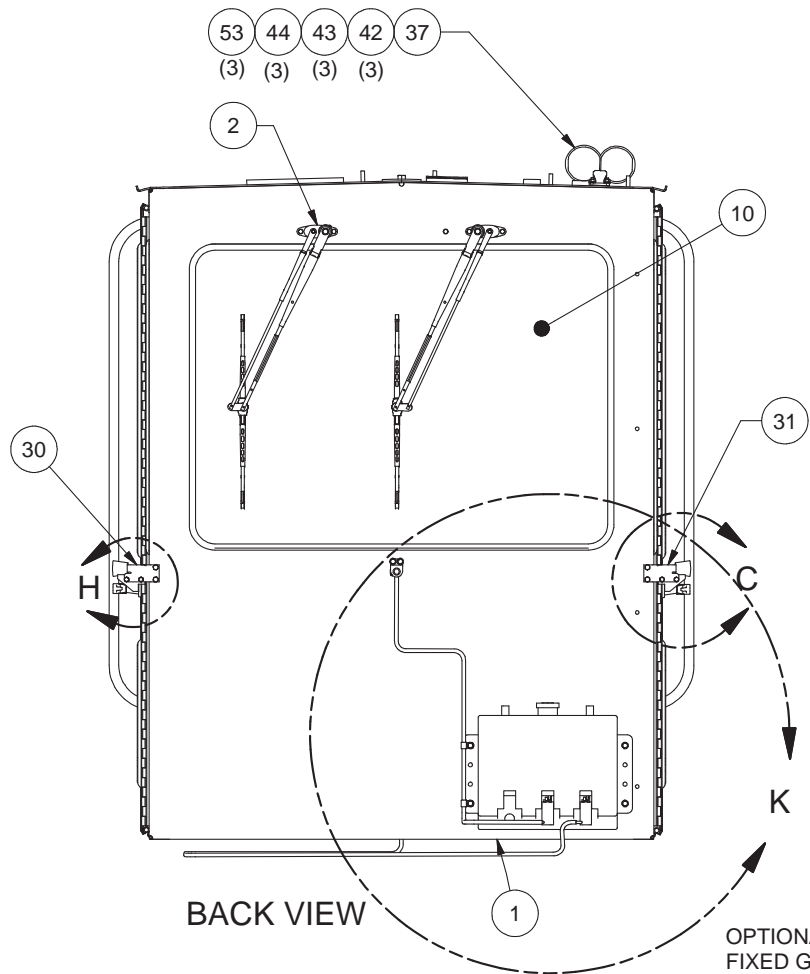
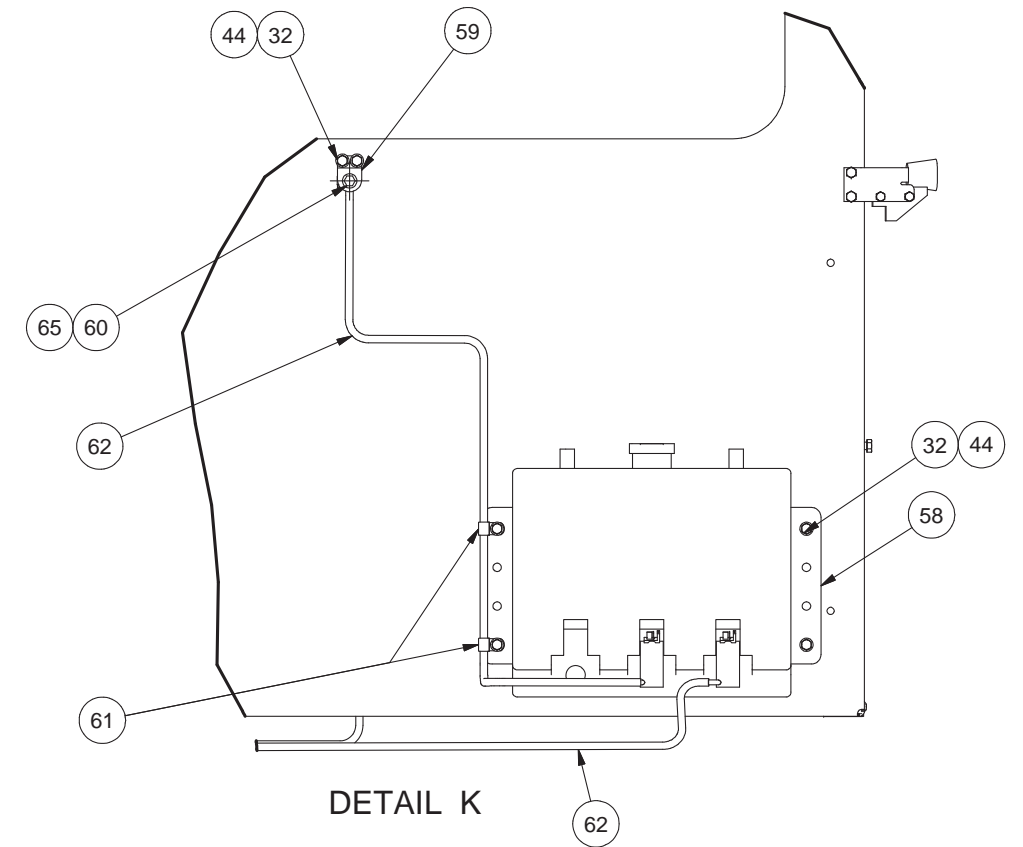
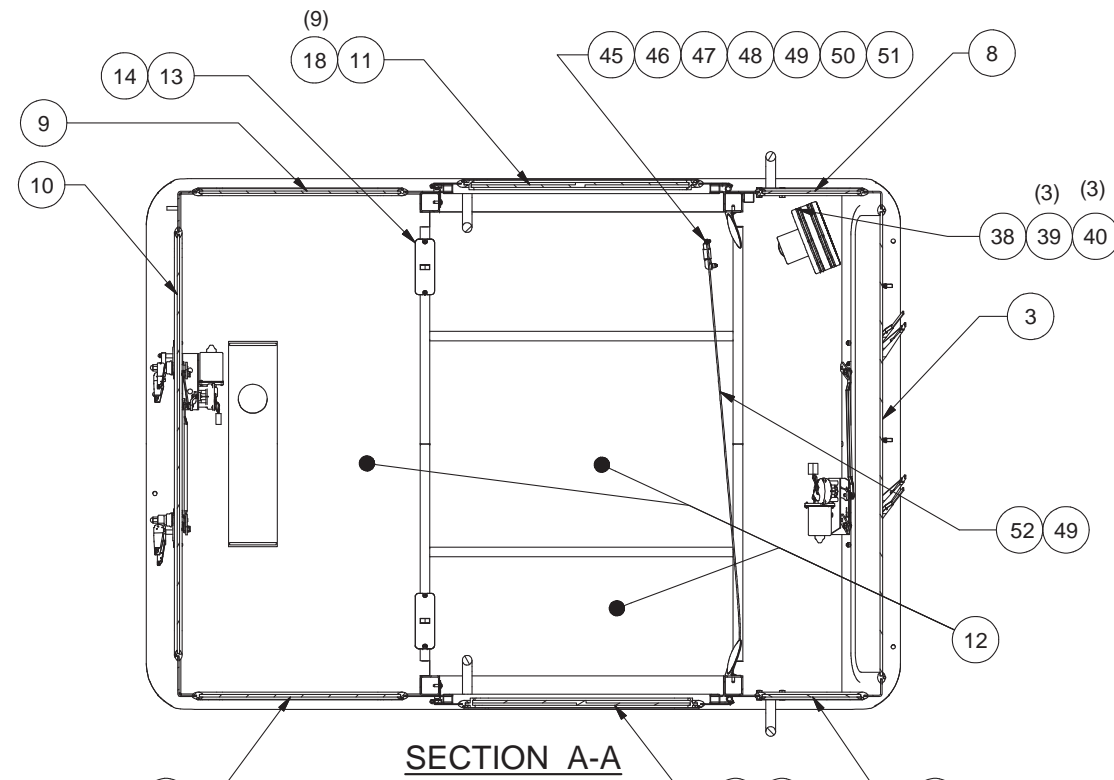

Cab Assembly

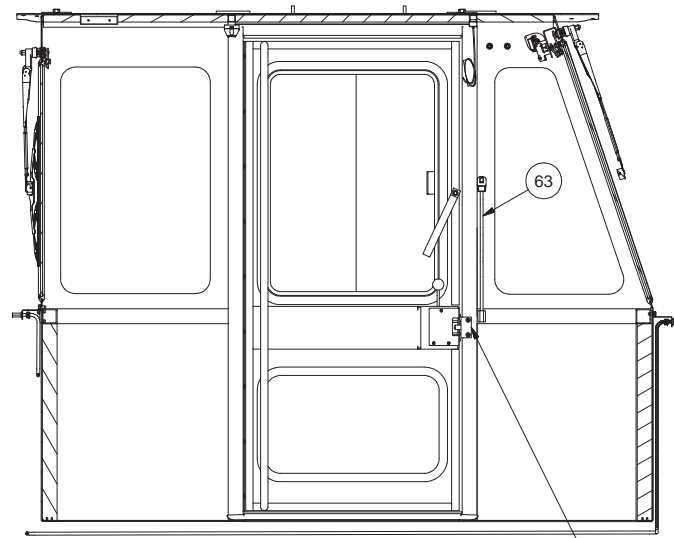
Cab Assembly

Item	Part No.	Qty	Description	Item	Part No.	Qty	Description
	586746		Cab Assembly,24V				
1	581077	1	. Cab Weldment	34	200325	2	. Stop, Door
2	579756	1	. Wiper Assembly,24V Rear	35	221703W	4	. Hex Nut
3	576019	1	. Glass	36	00103319	4	. Lockwasher
4	203037	60'	. Molding, Locking Key	37	243938	1	. Horn, Dual Air
5	200326	60'	. Molding, Self Lock	38	239161	1	. Fan, Defroster
6	559815	2	. Shim	39	00109451	3	. Machine Screw
7	570684	1	. Wire Harness,Cab	40	00103338	3	. Flat Washer
8	567057	2	. Glass	42	R13811014	3	. Capscrew
9	570420	2	. Glass	43	224117	3	. Nut, Esna
10	567055	1	. Glass	44	223428	11	. Flat Washer
11	* 570743	1	. Door Assembly,RH	45	00114498	1	. Jam Nut
12	570421	1	. Cab Insulation Location	46	00106267	1	. Flat Washer
13	251034	2	. Light, Dome	47	00105404	1	. Nipple, Pipe
14	223154	4	. Screw, Sheet Metal	48	209394	1	. Fitting
15	559651	2	. Latch Striker Assembly	49	00100738	2	. Machine Screw
16	579755	1	. Wiper Assembly,24V Front	50	222143	1	. Hex Nut
17	559816	2	. Shim	51	211294	1	. Valve, Air
18	09420904	18	. Capscrew	52	222350	4'	. Chain, Steel Safety
19	568622	5'	. Duct	53	214479	3	. Seal
20	* 570746	1	. Door Assembly,LH	54	533724	2	. Handrail Assembly
21	581209	1	. Gasket	55	223654	8	. Locknut
22	581210	1	. Plate,Cover	56	162572W	8	. Capscrew
23	215774	2	. Mirror	57	223427	8	. Flat Washer
24	526939	2	. Bracket	58	249400	1	. Bottle, Washer
25	223146	2	. Machine Screw	59	569247	2	. Plate,Mounting
26	570641	2	. Plate,Threshold	60	249776	2	. Nozzle, Jet, Single
28	222384	6	. Machine Screw	61	R13803030	2	. Clip
29	570894	2	. Latch	62	234245	20'	. Hose, Bulk
30	570874	1	. Plate,LH Latch	63	251035	1	. Lamp, Map
31	570873	1	. Plate,RH Latch	65	R6515575	2	. Hose Clamp
32	234261	12	. Capscrew	66	587109	1	. Nameplate
33	R13810993	4	. Capscrew				

* See Separate Coverage

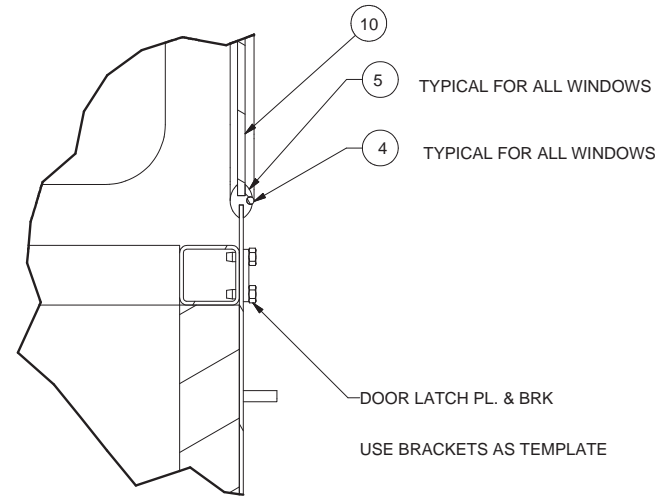


OPTIONAL SLIDING GLASS SHOWN.
FIXED GLASS IS STANDARD. SEE
CAB LIST FOR CORRECT CALLOUT.

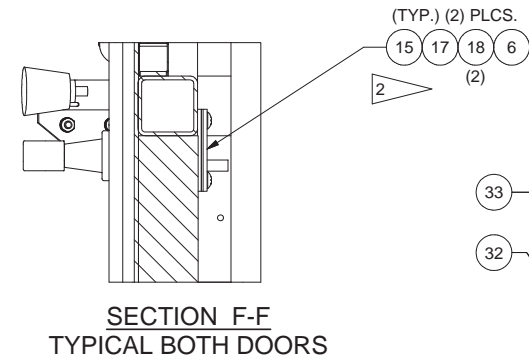


SECTION L-L

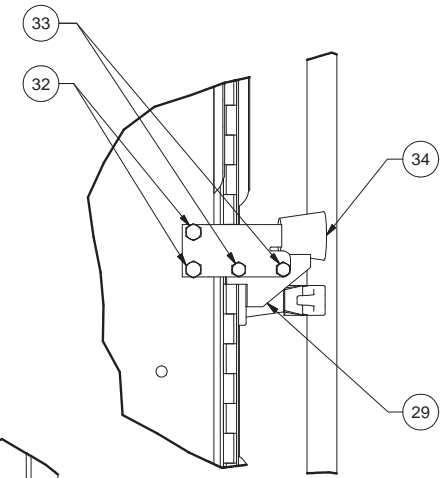
- 15
- 6
- 17
- 18
- (2)



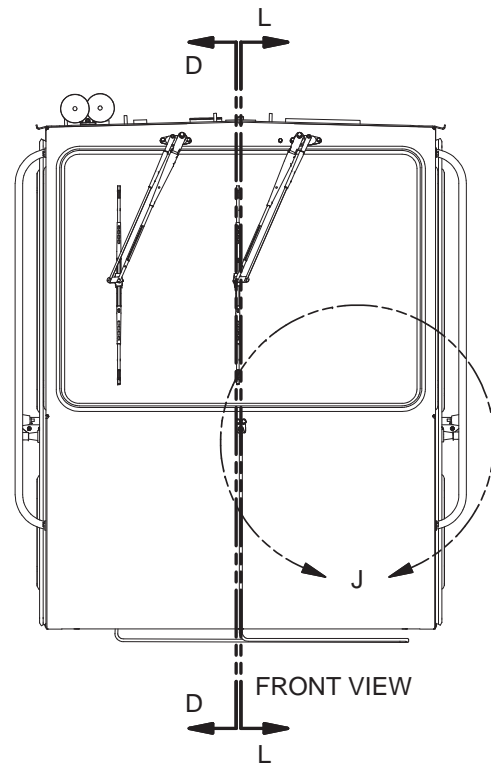
DETAIL E
TYPICAL WINDOW MOLDING



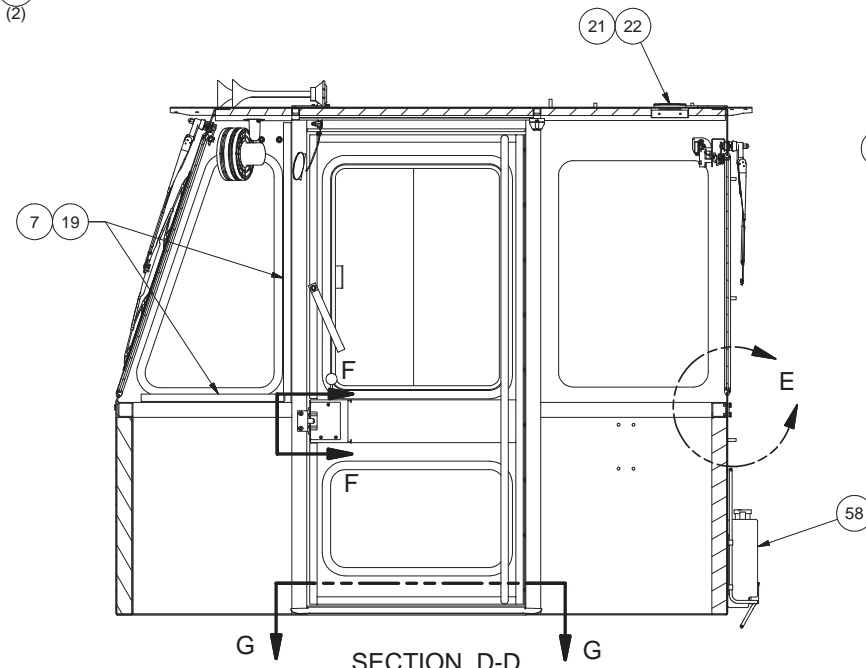
SECTION F-F
TYPICAL BOTH DOORS



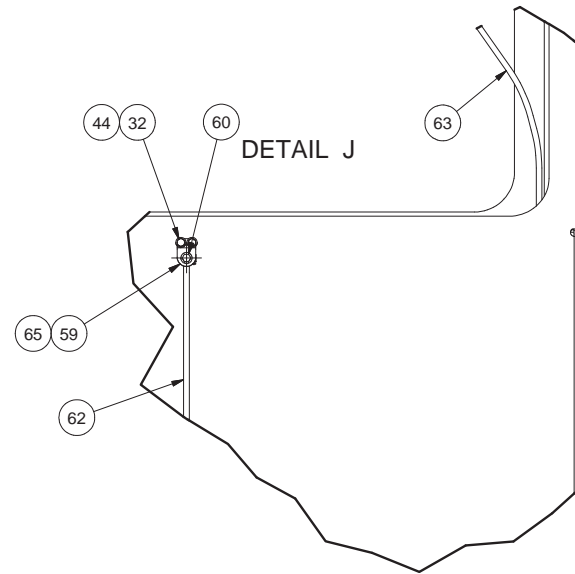
DETAIL C



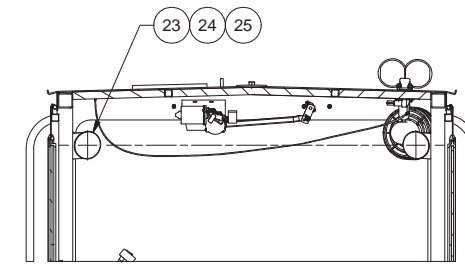
FRONT VIEW



SECTION D-D
INSIDE R.H. VIEW



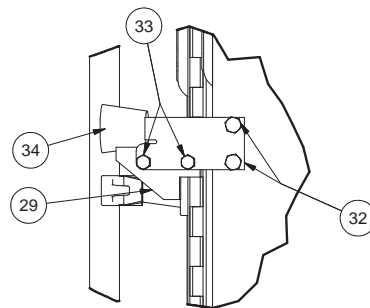
DETAIL J



SECTION B-B



SECTION G-G
TYPICAL BOTH DOORS



DETAIL H

2 SHIM AS NEEDED USING ITEMS 6 & 17. THIS IS TYPICAL FOR BOTH DOORS.