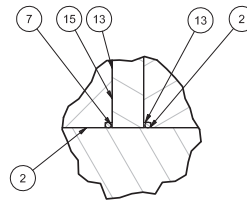
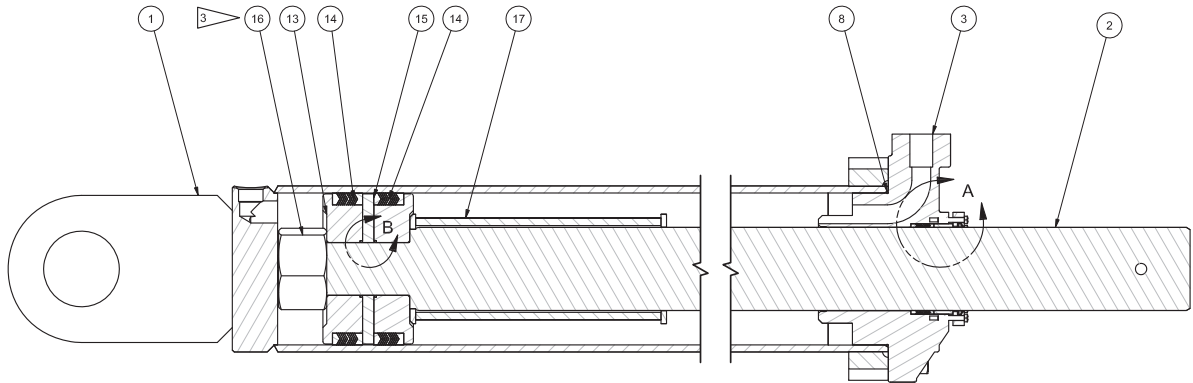


Cylinder Assembly



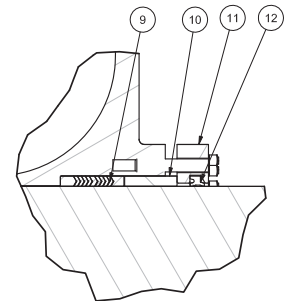
DETAIL B



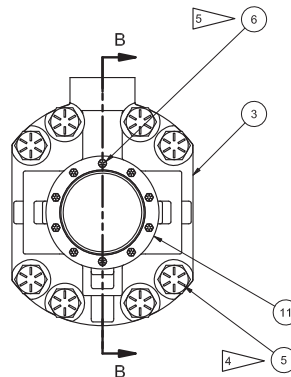
SECTION B-B

NOTE:

- 3. TORQUE PISTON RETAINER NUT TO: 2,000 ft/lbs.
- 4. TORQUE PACKING GLAND RETAINER CAPSCRS TO: 1,000 ft/lbs.
- 5. TIGHTEN WIPER RETAINER CAPSCRS EVENLY, TO STOP LEAKAGE.  
(REF. 19 ft/lbs)



DETAIL A



Item	Part No.	Qty	Description	Item	Part No.	Qty	Description
	<b>586455</b>		<b>Cylinder Assembly</b>				
1	562930	1	. Barrel & Base Assembly	11	533665	1	. Retainer
2	586454	1	. Stem	12	* 219337	1	. Wiper Ring
3	533664	1	. Packing Gland	13	568934	2	. Piston
4	230260	8	. Capscrew	14	* 566425	2	. Packing
5	230487	10	. Capscrew	15	568935	1	. Spacer,Piston
6	230487	10	. Capscrew	16	234347	1	. Nut
7	* 46629W	2	. O-Ring	17	574542	1	. Spacer
8	* 14718W	1	. O-Ring				
9	* 566440	1	. Packing, Stem				
10	533666	1	. Bushing				

\* Included in Service Packing Kit: 568937