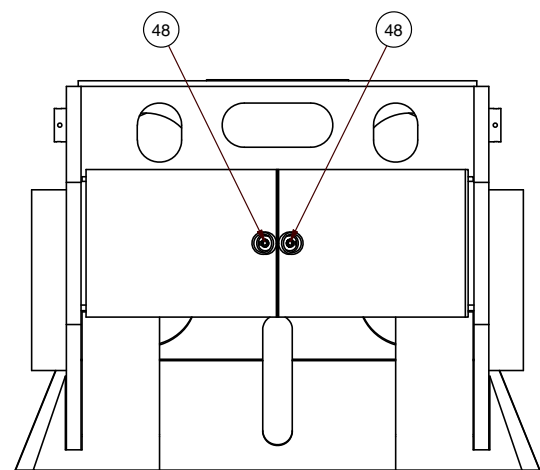

Chassis Assembly

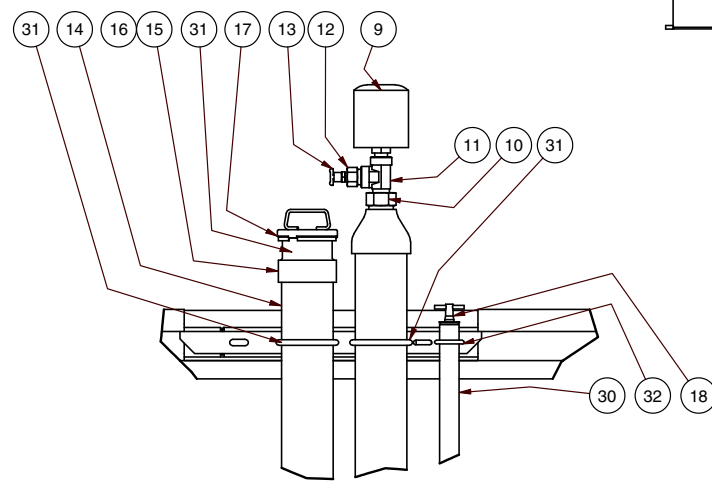
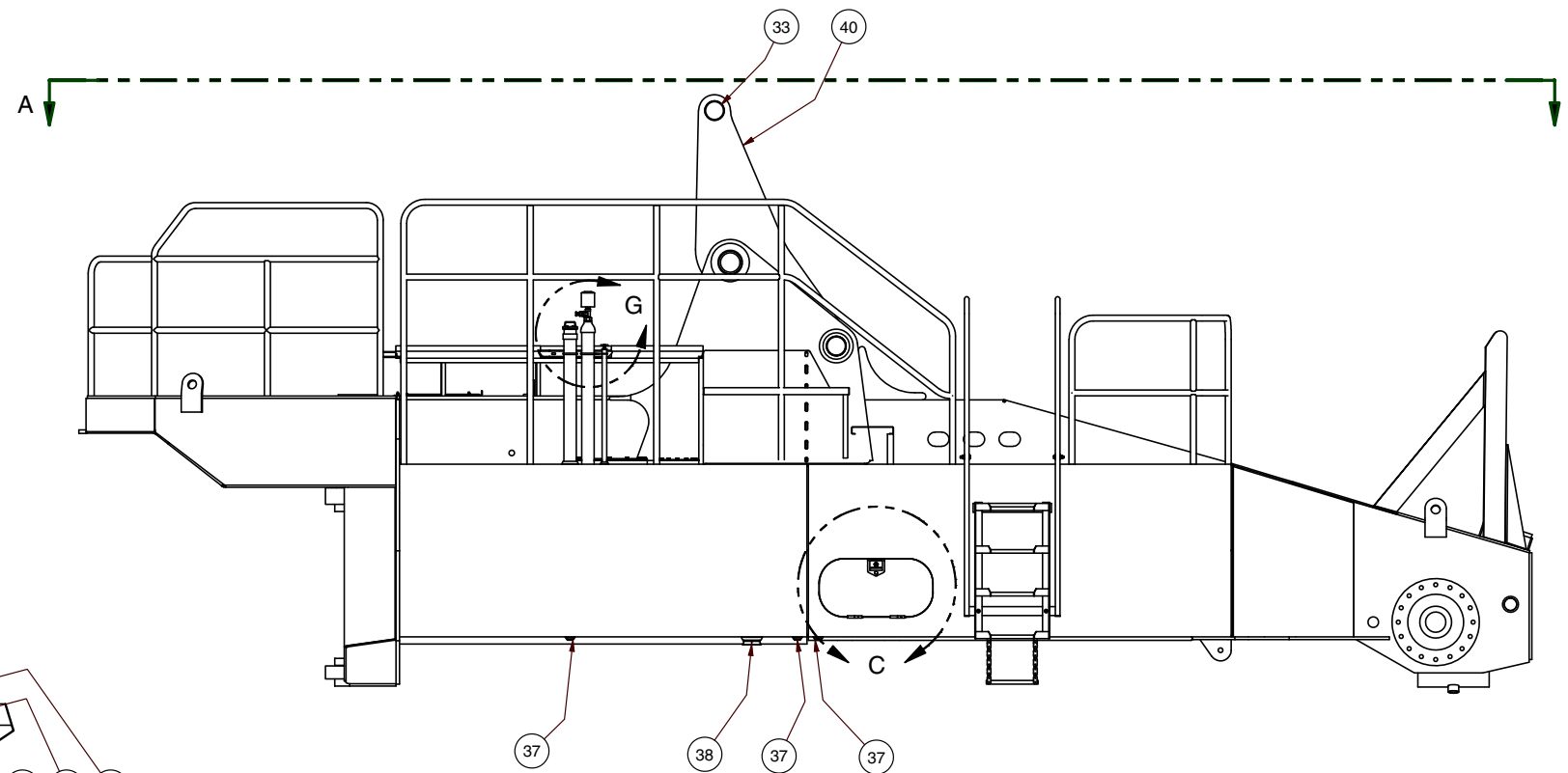
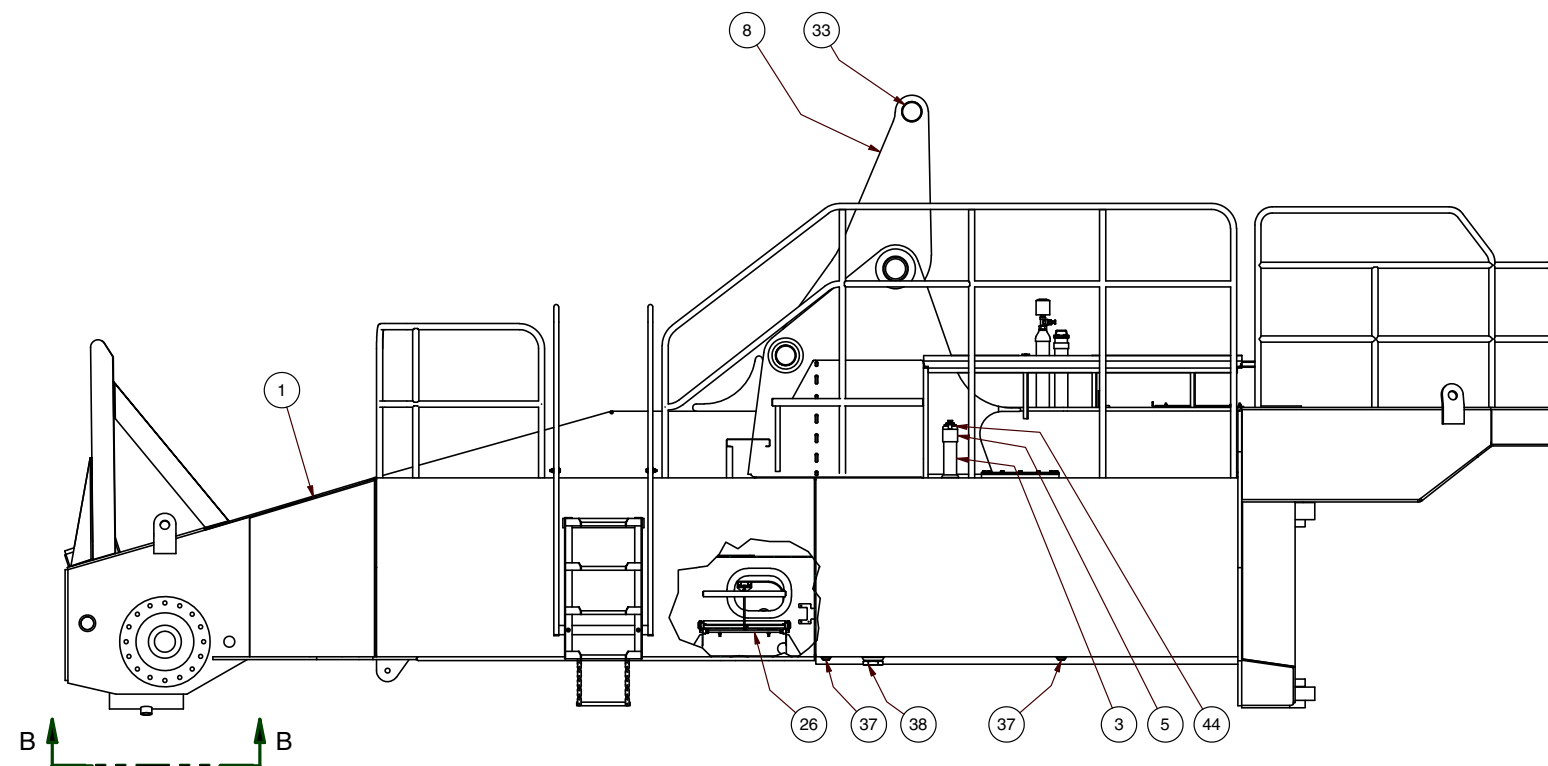
Chassis Assembly

| Item | Part No. | Qty | Description | Item | Part No. | Qty | Description |
|------|---------------|-----|---------------------------|------|-----------|-----|----------------------------|
| | 583216 | | Chassis Assembly | | | | |
| 1 | 583238 | 1 | . Chassis | 21 | 236307 | 2 | . Handle, Drop 'T' |
| 2 | 577031 | 2 | . Pin | 22 | 510074 | 2 | . Strip, Backup |
| 3 | 582409 | 1 | . Pipe | 24 | * 243457 | 2 | . Filter |
| 4 | 581517 | 2 | . Washer | 26 | * 580721 | 1 | . Battery Box Installation |
| 5 | 240253 | 1 | . Fitting | 27 | 552425 | 1 | . Plate, Cover |
| 6 | 234394 | 2 | . Nut | 28 | 229959 | 2 | . Capscrew |
| 8 | 577296 | 1 | . Plate | 30 | 571646 | 1 | . Tube, Dipstick |
| 9 | 224744 | 1 | . Breather Assembly | 31 | 234307 | 2 | . U-Bolt |
| | 230463 | 1 | . . Element | 32 | 504541 | 1 | . U-Bolt |
| 10 | 209509 | 1 | . Fitting | 33 | 565059 | 2 | . Bushing |
| 11 | 209159 | 1 | . Fitting | 34 | 582568 | 1 | . Grate, Rear |
| 12 | 209505 | 1 | . Fitting | 37 | 238659 | 7 | . Plug, Magnetic |
| 13 | 211398 | 1 | . Draincock | 38 | 227378 | 2 | . Fitting |
| 14 | 581897 | 1 | . Nipple, Fuel Fill | 40 | 577297 | 1 | . Plate |
| 15 | 251714 | 1 | . Filler Neck | 42 | 221703W | 2 | . Nut |
| 16 | R14340 | 1 | . Strainer | 43 | R13802619 | 2 | . Washer |
| 17 | R1917921 | 1 | . Cap | 44 | 216083 | 1 | . Fill, Fuel Tank |
| 18 | 562966 | 1 | . Dipstick, Hydraulic Oil | 45 | 221314 | 4 | . Stud, Weld |
| 19 | 560101 | 2 | . Door, Tank | 46 | 221707W | 4 | . Nut |
| 20 | 551380 | 4 | . Hinge Assembly | 47 | R13806980 | 4 | . Flat Washer |
| | | | | 48 | 201319 | 2 | . Plug |

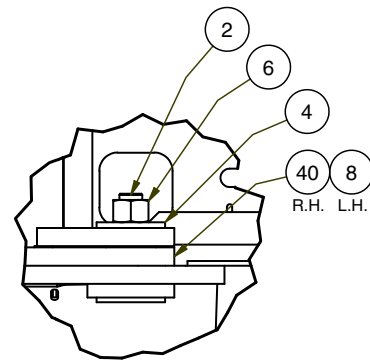
* See Separate Coverage



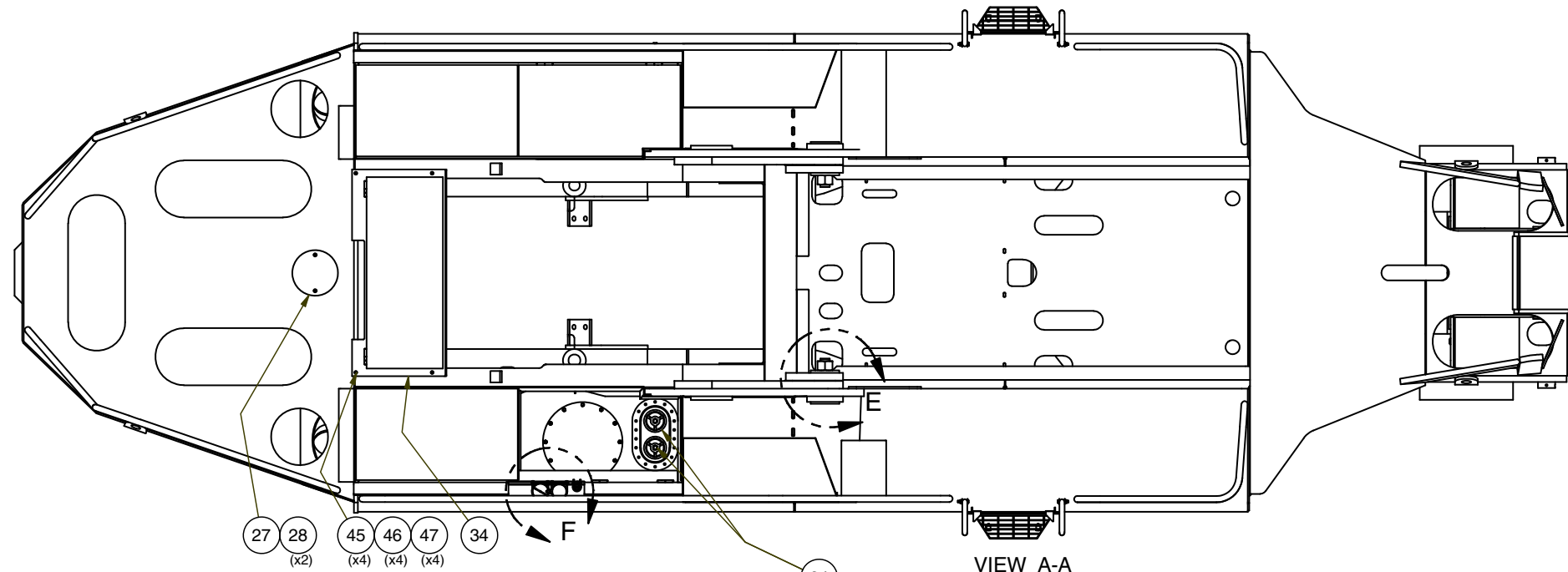
VIEW B-B
SCALE 1/16



DETAIL G
SCALE 1/8

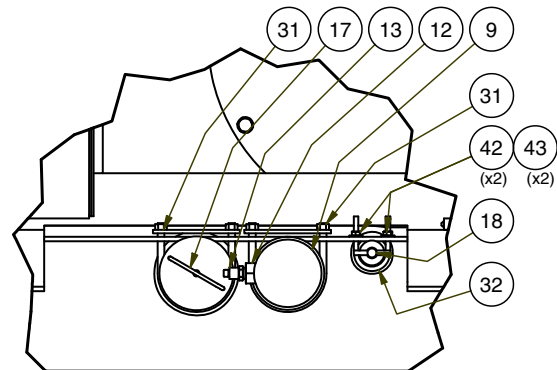


DETAIL E
SCALE 1 / 16

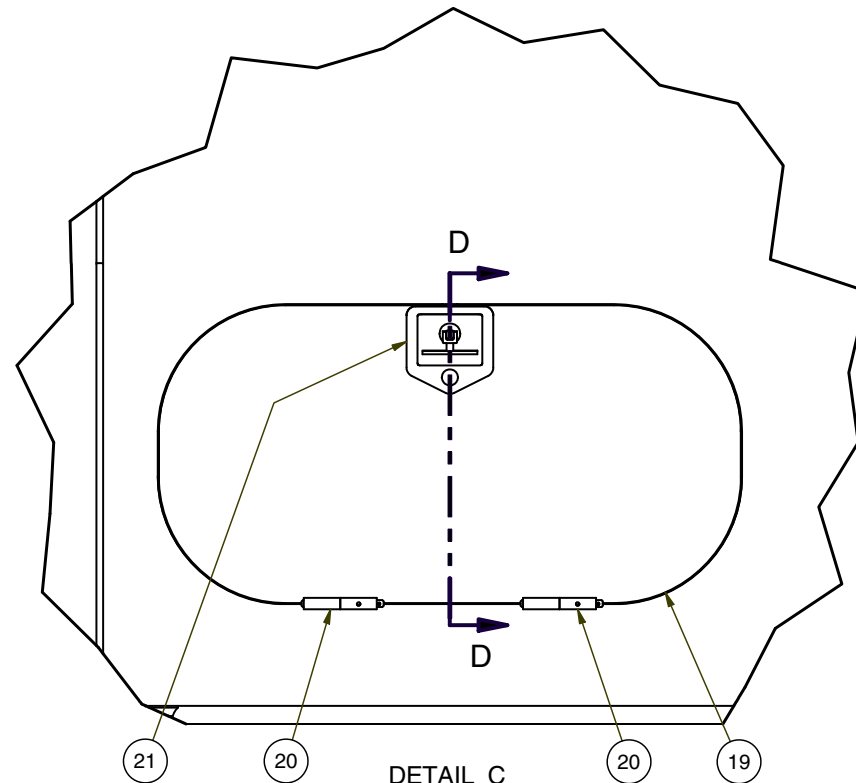


VIEW A-A
SCALE 1 / 32

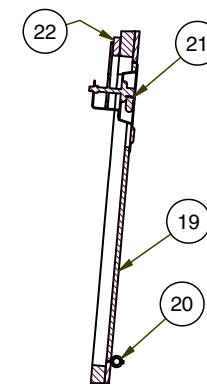
NOTE:
FILTER COVER REMOVED AND
CATWALKS NOT SHOWN FOR CLARITY.



DETAIL F
SCALE 1 / 8



DETAIL C
SCALE 1 / 8



SECTION D-D
SCALE 1 / 8

