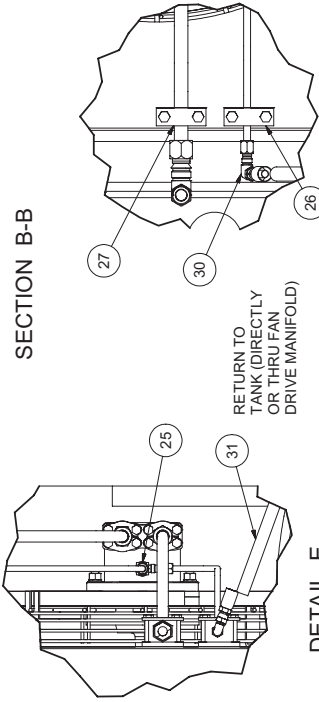
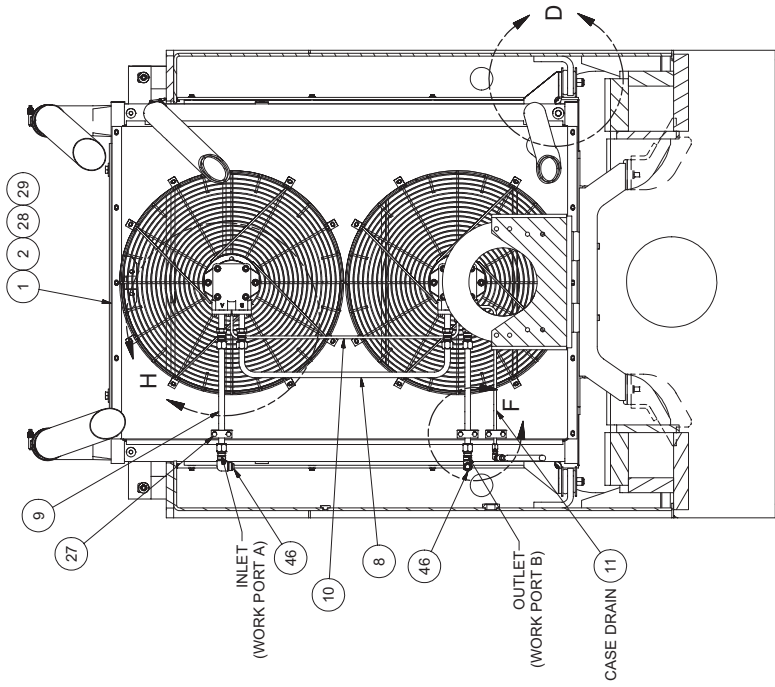
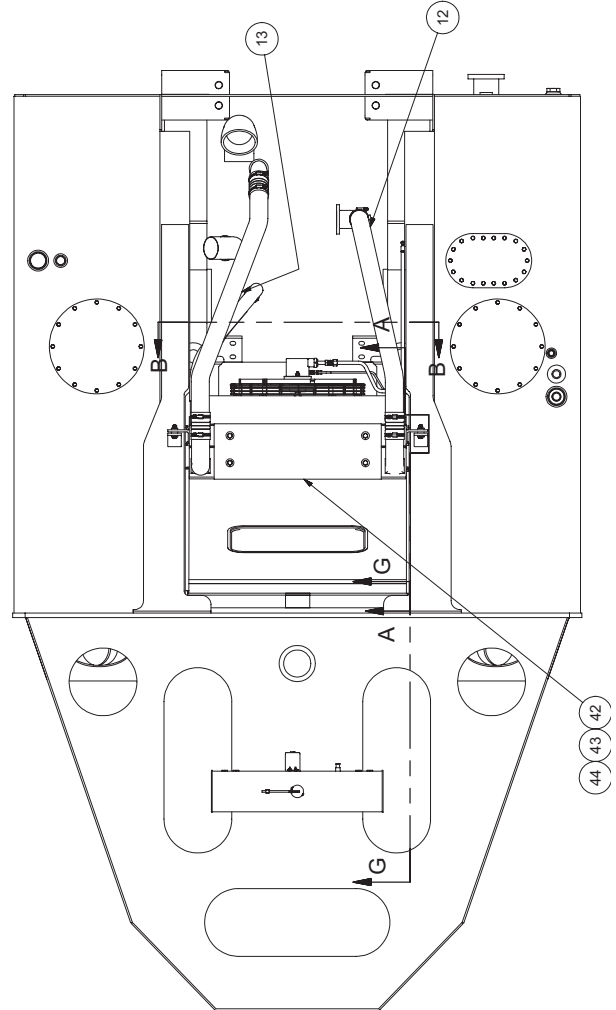
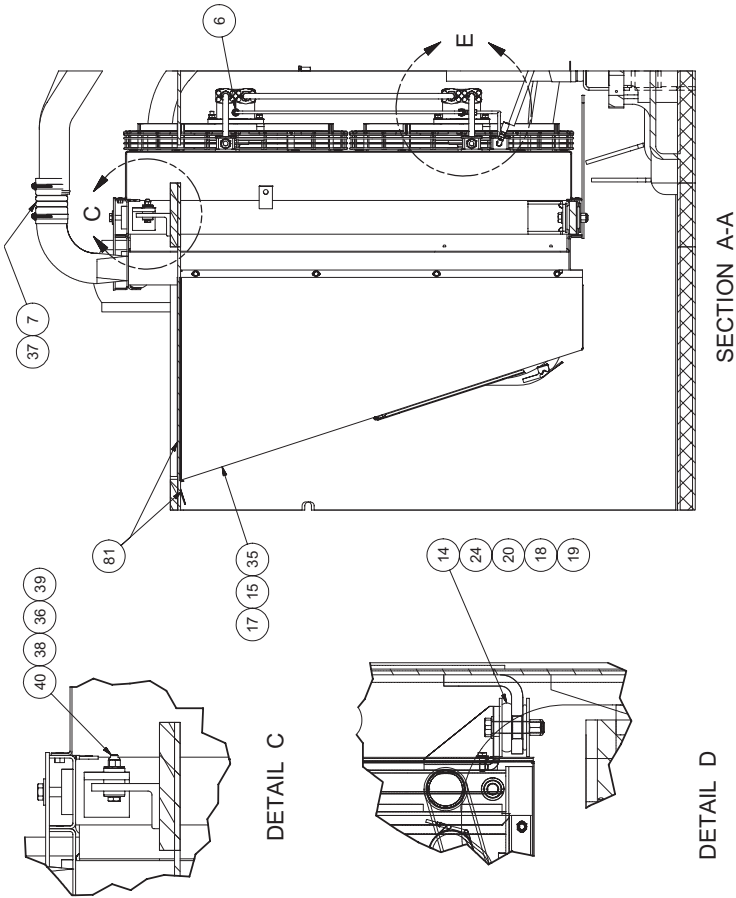


---

Radiator Installation



NOTE:  
SEE HYD SYS-CHASSIS ON M/S FOR CONTINUATION  
OF PLUMBING TO FAN DRIVE MANIFOLD.



# Radiator Installation

Item	Part No.	Qty	Description	Item	Part No.	Qty	Description
<b>582299 Radiator Installation</b>							
1	* 250744	1	. Radiator	26	244139	1	. Clamp
2	250863	2	. Fan, 28	27	231633	2	. Clamp
3	* 250778	2	. Motor, Vane	28	00103397	2	. Cotter Pin
4	15383	4	. Kit, Split Flange	29	251400	2	. Hex Nut
5	223315	4	. Fitting	30	231331	1	. Fitting
6	211560	1	. Fitting	32	581335	1	. Tank, Surge
7	243488	4	. Connector	33	581331	2	. Stand Weldment, Surge Tank
8	581642	1	. Tube Assembly	34	581332	2	. Pad, Tap
9	581643	2	. Tube Assembly	35	582563	1	. Air Scoop Weldment
10	581644	1	. Tube Assembly	36	R1929619	6	. Washer
11	581645	1	. Tube Assembly	37	243489	8	. Clamp
12	582560	1	. Tube Weldment	38	239519	4	. Flat Washer
13	582562	1	. Tube, Cac	39	R13811193	2	. Locknut
14	224222	2	. Vibration Dampener	40	223688	2	. Bolt, Stay
15	230282	16	. Flat Washer	41	201567	8	. Lockwasher
16	201602	8	. Capscrew	42	581930	1	. Plate, Cover
17	201604	2	. Capscrew	43	R13811122	4	. Capscrew
18	230096	2	. Capscrew	44	00106267	4	. Flat Washer
19	00103346	2	. Flat Washer	45	252047	9'	. Seal, Flap
20	R13811196	2	. Locknut	46	211623	2	. Fitting
21	224454	4	. Capscrew	47	582646	1	. Baffle Plate
22	230530	4	. Hex Nut	48	582841	1	. Guard Plate
23	200604	4	. Lockwasher	49	224209	2	. Nut, Esna
24	578361	4	. Flat Washer	50	R13812213	4	. Flat Washer
25	223436	1	. Fitting	51	R1936499	2	. Stud, Weld

\* See Separate Coverage

