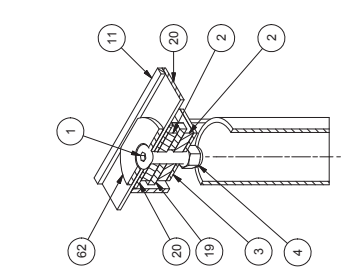
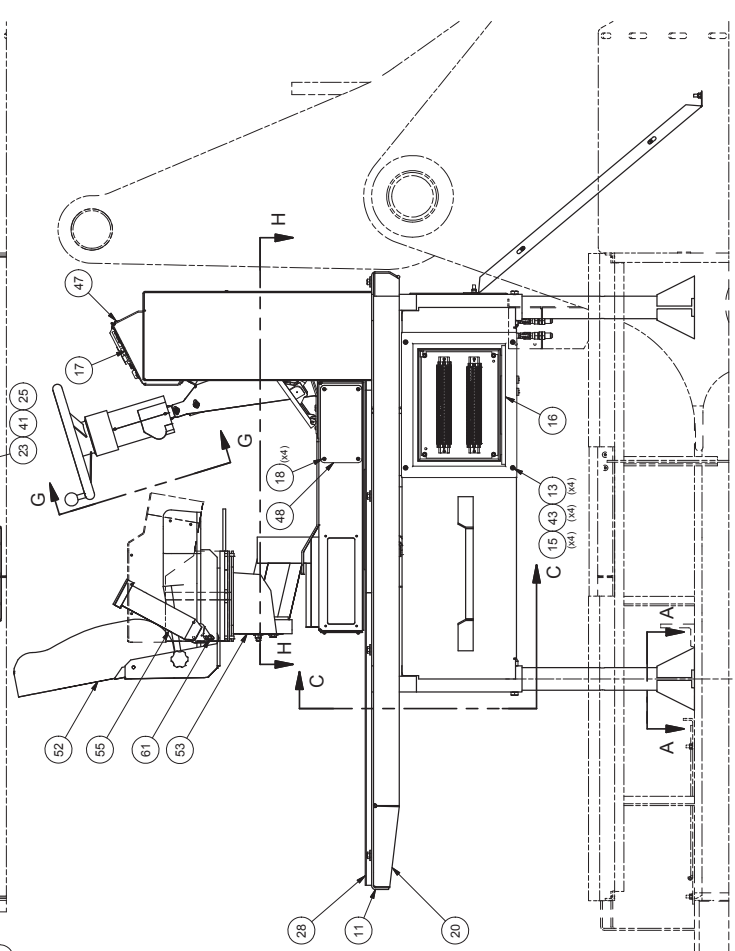
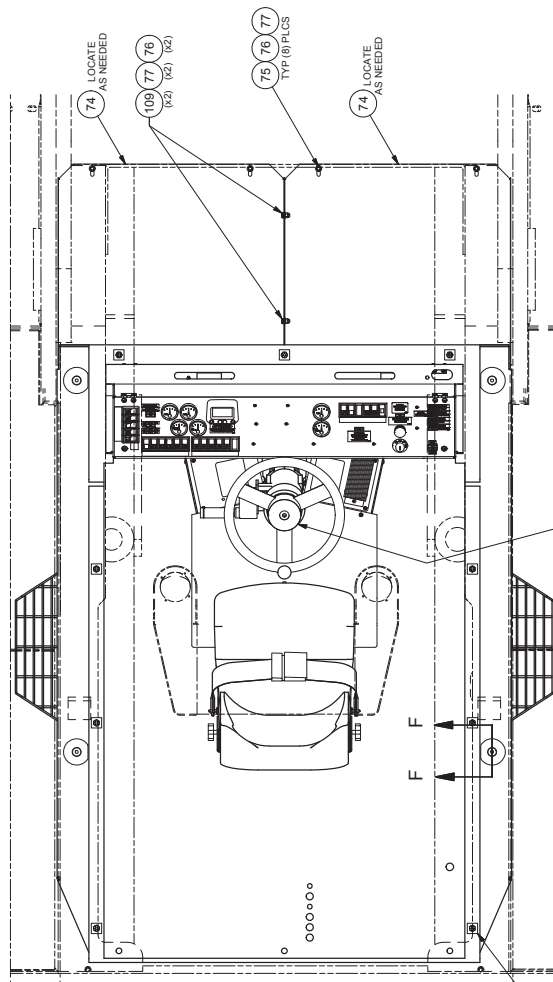
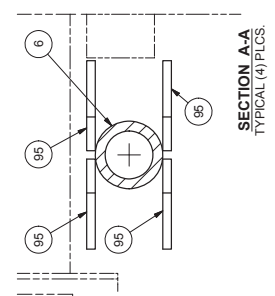

Cowl Assembly

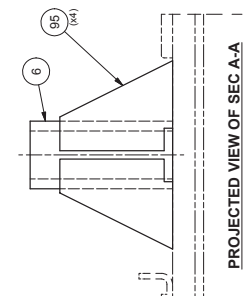


ISO VIEW OF SEC F-F
TYPICAL (4) PLCS.

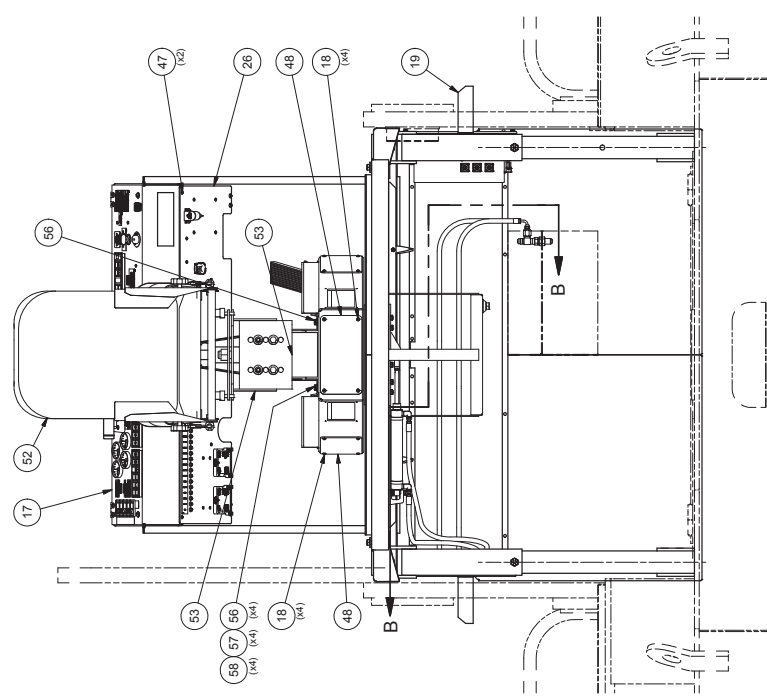
NOTES:
 1. SOME FEATURES ARE OMITTED FOR CLARITY.
 2. ITEM 31 IS USED AS NEEDED.
 3. DRILL HOLES WHERE APPLICABLE WHEN NEEDED.

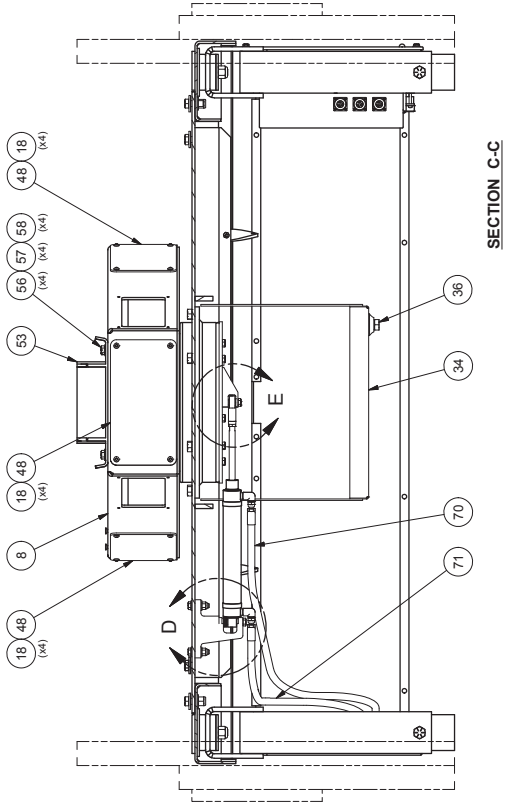


SECTION A-A
TYPICAL (4) PLCS.

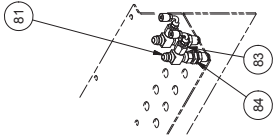


PROJECTED VIEW OF SEC A-A

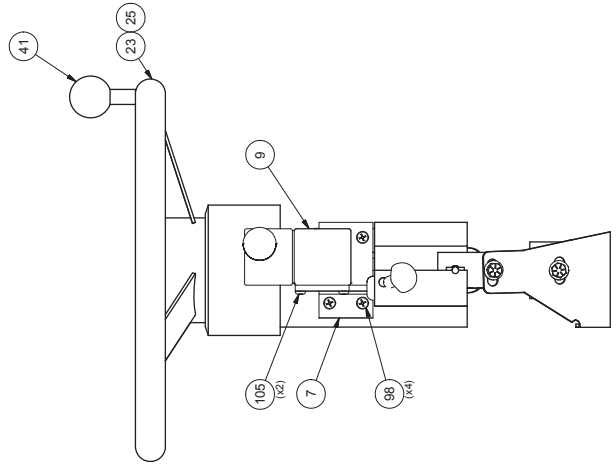




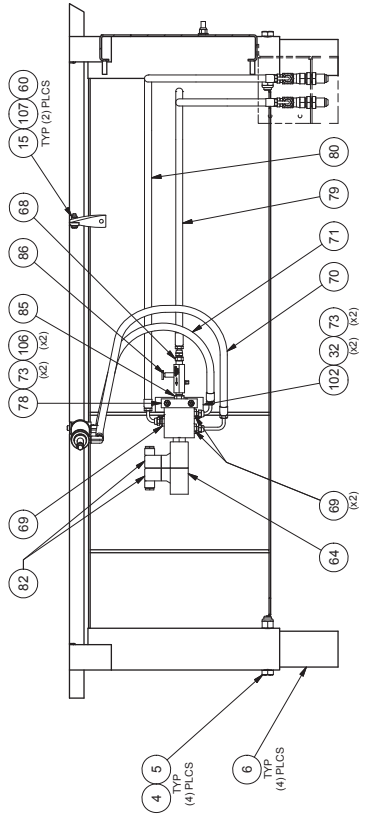
SECTION C-C



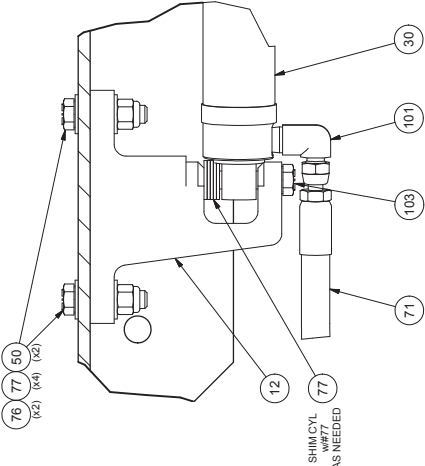
ISO VIEW
HOSE BRACKET W/LDMT



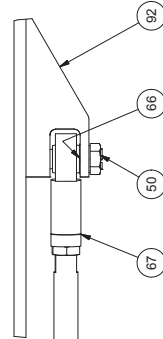
SECTION G-G



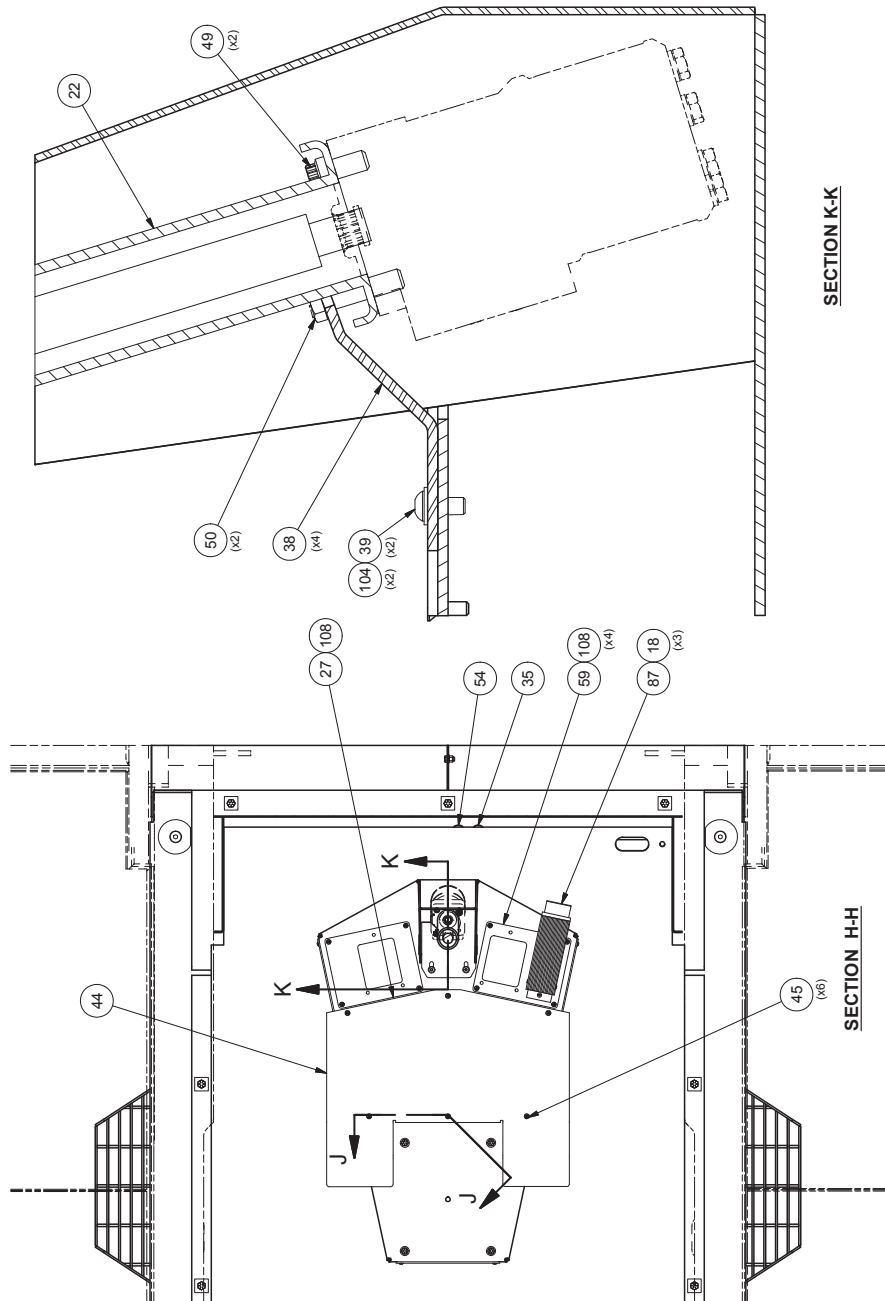
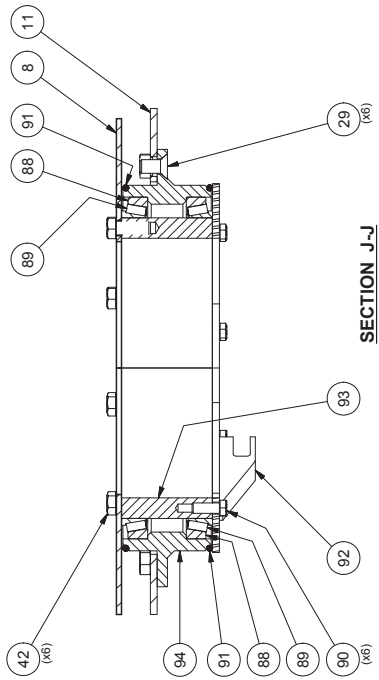
SECTION B-B



DETAIL D



DETAIL E



Cowl Assembly

Item	Part No.	Qty	Description	Item	Part No.	Qty	Description
	582292		Cowl Assembly				
1	240158	4	. Capscrew	55	215096	1	. Belt, Safety
2	521106	8	. Pad	56	221532W	4	. Capscrew
3	521125	4	. Spacer	57	09428830	4	. Flat Washer
4	224121	8	. Nut, Esna	58	224119	4	. Nut, Esna
5	221642W	4	. Capscrew	59	578007	1	. Plate, Pedal Mounting
6	533716	4	. Pipe, Support	60	572834	2	. Hanger
7	580583	1	. Bracket	61	240259	1	. Kit, Seatbelt Hardware
8	571436	1	. Seat, Pedestal	62	574056	4	. Plate
9	* 580598	1	. Shifter, Transmission	64	242849	1	. Valve, Solenoid
10	571495	4	. Bolt, Step		243208	1	. . Seal Kit
11	572762	1	. Floor		243209	1	. . Coil
12	574208	1	. Bracket	66	242850	1	. Bearing, Nyliner
13	R13801783	4	. Capscrew	67	242852	1	. Ball Joint
14	R13810854	2	. Capscrew	68	209752	1	. Fitting
15	235620	10	. Nut, Esna	69	Y850-0406	3	. Fitting
16	* 581592	1	. Junction Box Assembly	70	243081	1	. Hose Assembly
17	* 582428	1	. Instrument Panel Assembly	71	17711	1	. Hose Assembly
18	18720W	15	. Capscrew	73	00103319	4	. Lockwasher
19	576411	1	. Superstructure	74	563886	2	. Guard
20	581758	1	. Cowl	75	221314	8	. Stud, Weld
22	* 579408	1	. Steering Column	76	223654	16	. Locknut
23	244506	1	. Steering Wheel	77	223427	27	. Flat Washer
25	230496	1	. Cap, Horn	78	576259	27	. Plate, Spacer
26	* 582427	1	. Terminal Panel Assembly	79	049-2373	1	. Hose Assembly
27	578008	1	. Plate, Pedal Mount	80	257725	1	. Hose Assembly
28	* 570581	1	. Floor Mat Installation	81	214316	2	. Fitting
29	Y09G-0816	6	. Capscrew	82	238039	2	. Connector, Plate
30	242851	1	. Cylinder, Hydraulic	83	228048	2	. Fitting
31	200301	4	. Molding	84	215203	2	. Fitting
32	224120W	2	. Capscrew	85	15503	1	. Fitting
33	201569	9	. Flat Washer	86	17730	1	. Flow Control Valve
34	570691	1	. Drip Pan	87	* 243342	1	. Pedal Assembly, Elec Throttle
35	243685	1	. Grommet, Rubber	88	243304	2	. Bearing Cup
36	209917	1	. Fitting	89	243305	2	. Bearing Cone
37	223587	12	. Nut, Esna	90	Y17C-0616	6	. Capscrew
38	570639	1	. Plate, Mounting	91	240151	2	. O-Ring
39	Y25G-0512	2	. Capscrew	92	576453	1	. Clevis
40	R13810856	2	. Capscrew	93	576444	1	. Tube
41	232182	1	. Knob, Spinner	94	576445	1	. Retainer, Bearing
42	221563W	18	. Capscrew	95	562366	16	. Gusset
43	00103339	4	. Flat Washer	96	577424	1	. Spacer
44	571684	1	. Plate,Cover	98	242377	4	. Capscrew
45	230668	6	. Capscrew	101	209406	2	. Fitting
46	570391	9	. Washer	102	579412	1	. Angle
47	Y25G-0408	11	. Capscrew	103	R13811039	1	. Capscrew
48	567082	3	. Plate, Cover	104	R13811445	2	. Flat Washer
49	159812W	2	. Capscrew	105	R13808536	2	. Capscrew
50	Y17C-0624	5	. Capscrew	106	R13810996	2	. Capscrew
52	* 236982	1	. Seat W/O Arms	107	R13810993	2	. Capscrew
53	* 231800	1	. Pedestal & Swivel Assembly	108	00113991	8	. Machine Screw
54	208264	1	. Grommet	109	162572W	2	. Capscrew

* See Separate Coverage