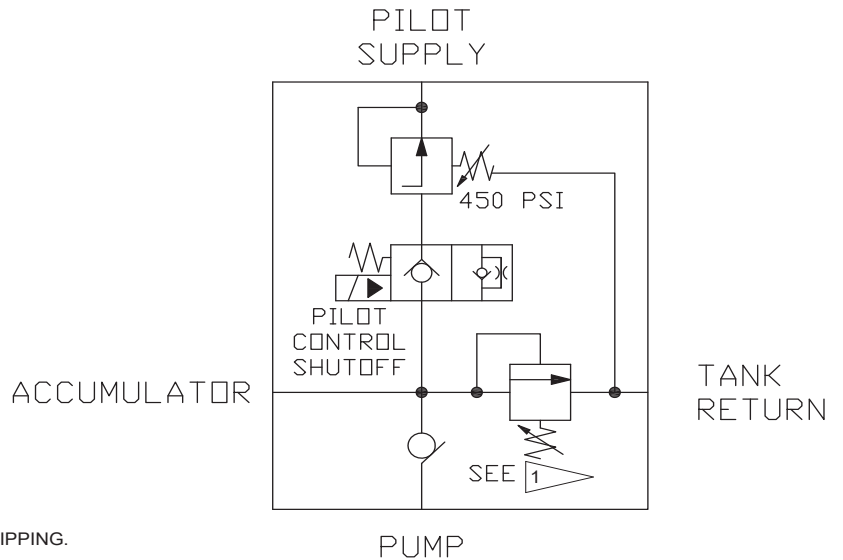
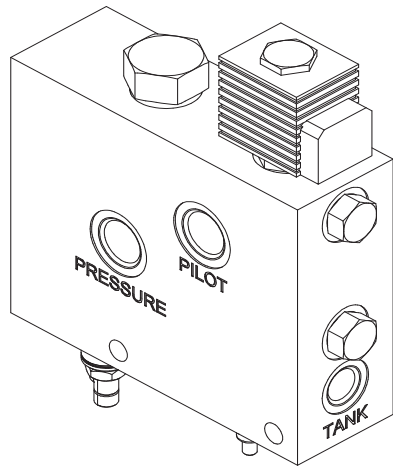
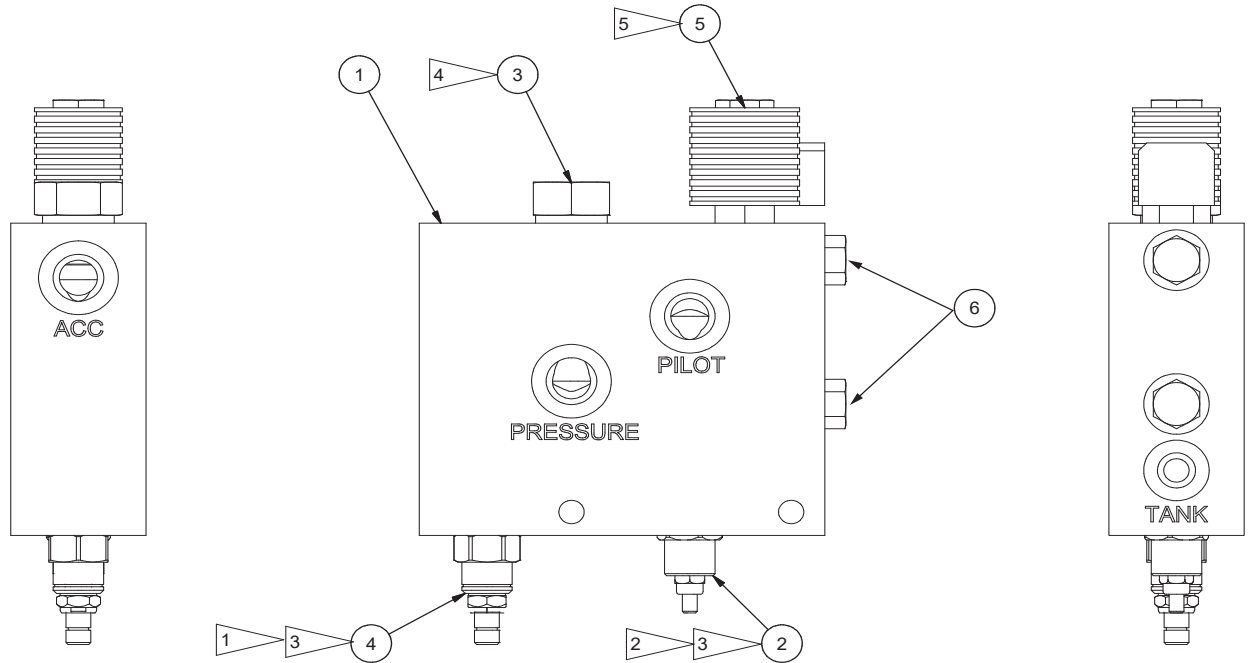


Manifold Assembly



NOTES:
PLUG ALL OPEN PORTS FOR STORAGE OR SHIPPING.

- 1 SET AT 3200 PSI
- 2 SET AT 450 PSI
- 3 TORQUE TO 30-35 FT*LBS
- 4 TORQUE TO 45-50 FT*LBS
- 5 TORQUE TO 25-30 FT*LBS

Item	Part No.	Qty	Description	Item	Part No.	Qty	Description
	581404		Manifold Assembly	4	229047	1	. Cartridge Valve
1	581403	1	. Manifold	5	242335	1	. Seal Kit
2	235622	1	. Cartridge Valve		246856	1	. Solenoid Valve
	242101	1	. Seal Kit		244647	1	. Seal Kit
3	233968	1	. Cartridge Valve		251408	1	. Coil
	251170	1	. Seal Kit	6	212762	2	. Fitting