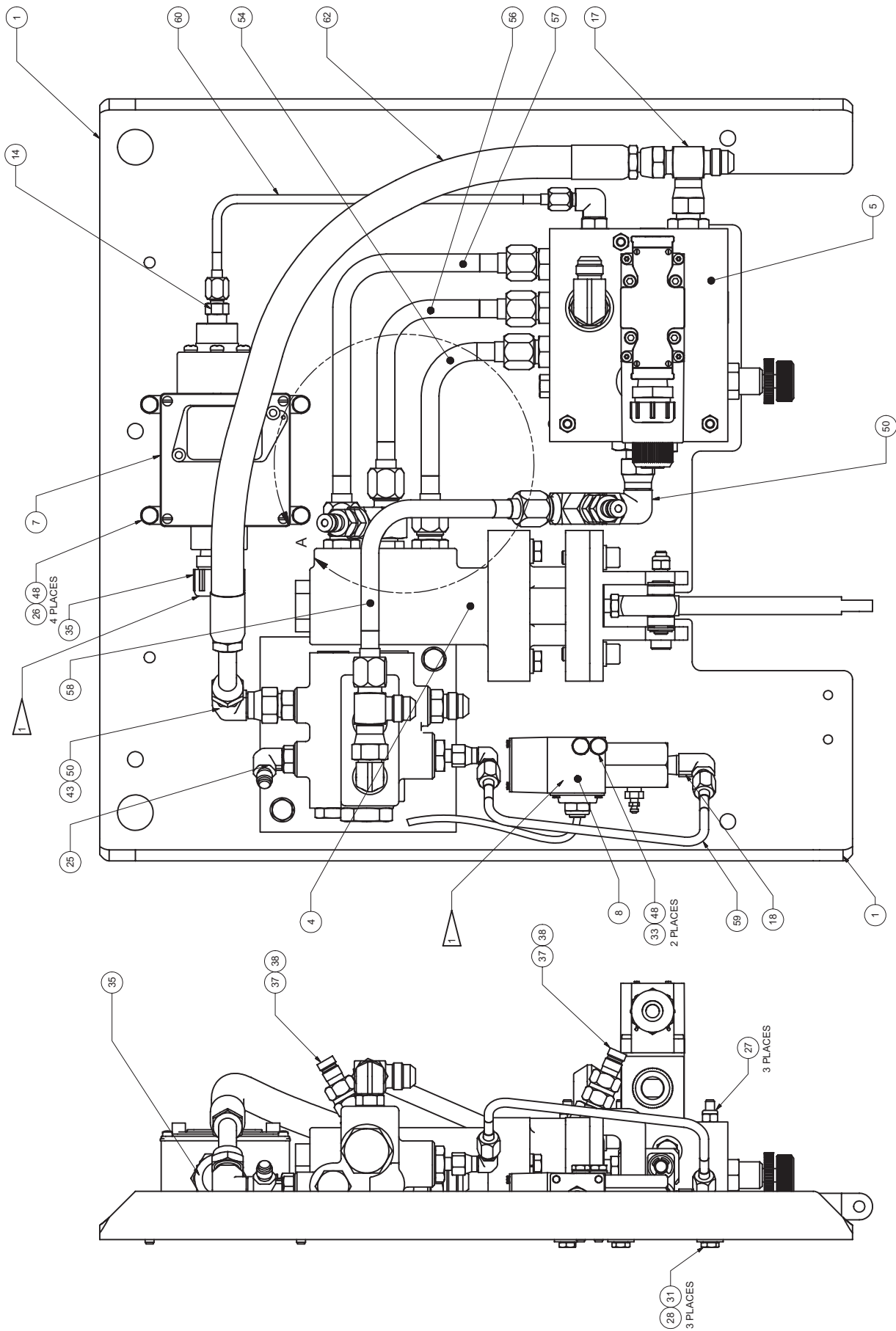


---

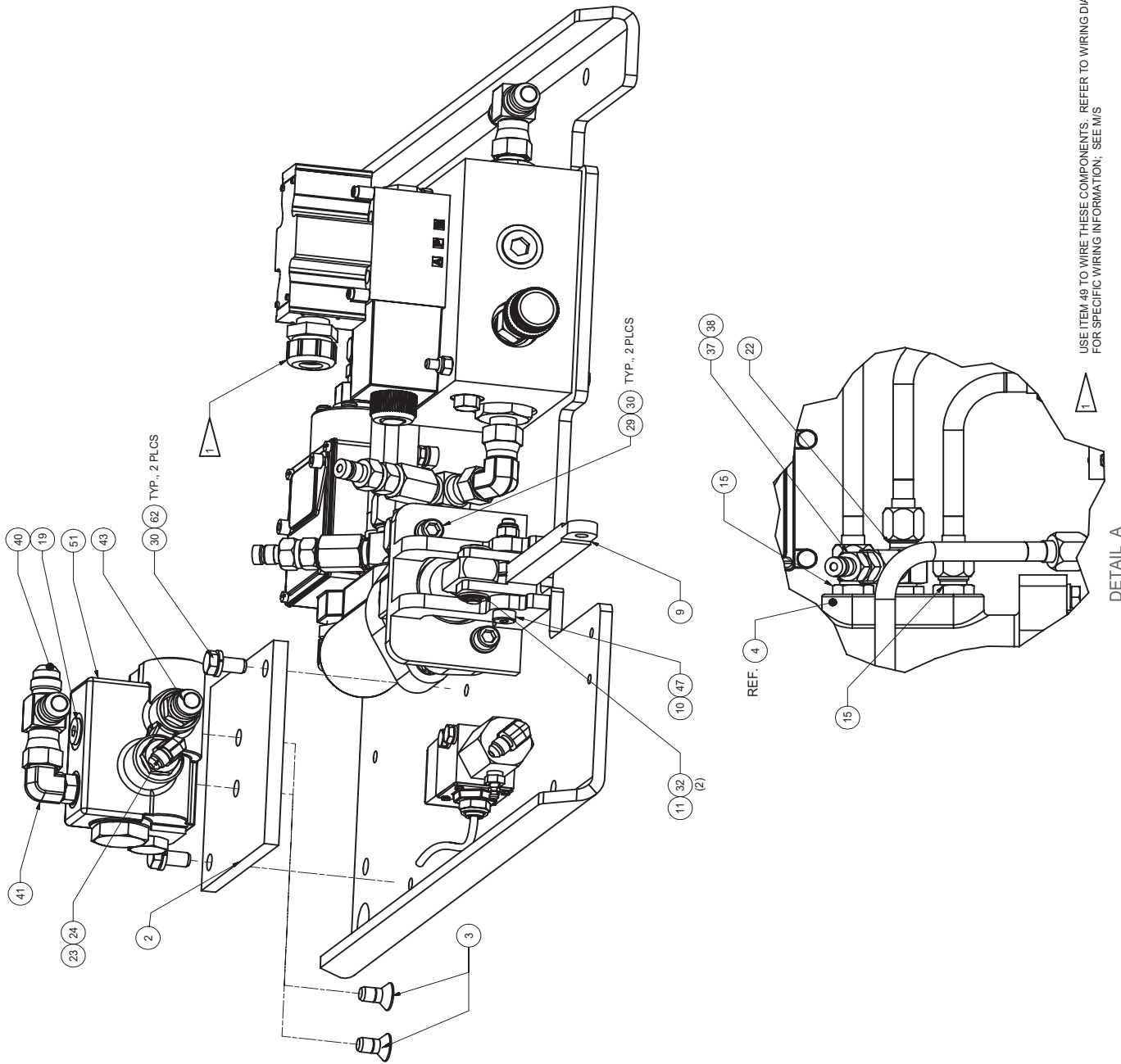
Brake Valve Module



## Brake Valve Module

Item	Part No.	Qty	Description	Item	Part No.	Qty	Description
	<b>580376</b>		<b>Brake Valve Module</b>				
1	580377	1	. Valve Plate Weldment	30	205128	4	. Lockwasher
2	579428	1	. Mounting Plate	31	236392	3	. Capscrew
3	R13806149	2	. Capscrew	32	00103341	4	. Flat Washer
4	* 240989	1	. Valve, Brake	33	223501	2	. Capscrew
5	* 580780	1	. Manifold Assembly, Brake	35	26040	1	. Connector, Cord
7	226799	1	. Switch, Pressure	37	236625	2	. Coupler, Male
8	243375	1	. Switch, Pressure	38	226904	2	. Fitting
9	580445	1	. Bell Crank Assembly	40	214316	2	. Fitting
10	249641	1	. Bolt, Shoulder	41	224298	1	. Fitting
11	249642	1	. Clevis Pin	43	211550	2	. Fitting
14	209752	1	. Fitting	44	579544	1	. Wire Harness
15	209805	5	. Fitting	47	R13811190	1	. Locknut
17	211367	1	. Fitting	48	00103319	6	. Lockwasher
18	209406	2	. Fitting	50	210769	2	. Fitting
19	229383	1	. Fitting	51	* 246929	1	. Valve, Accum Charge
22	212705	1	. Fitting	54	579538	1	. Tube Assembly
23	224774	1	. Fitting	56	579539	1	. Tube Assembly
24	212718	1	. Fitting	57	579540	1	. Tube Assembly
25	223784	2	. Fitting	58	579541	1	. Tube Assembly
26	234177	4	. Capscrew	59	580444	1	. Tube Assembly
27	224209	3	. Nut, Esna	60	580443	1	. Tube Assembly
28	00116079	3	. Flat Washer	61	201602	2	. Capscrew
29	234721	2	. Capscrew	62	249676	1	. Hose Assembly

\* See Separate Coverage



USE ITEM 49 TO WIRE THESE COMPONENTS. REFER TO WIRING DIAGRAM FOR SPECIFIC WIRING INFORMATION. SEE M/S

DETAIL A