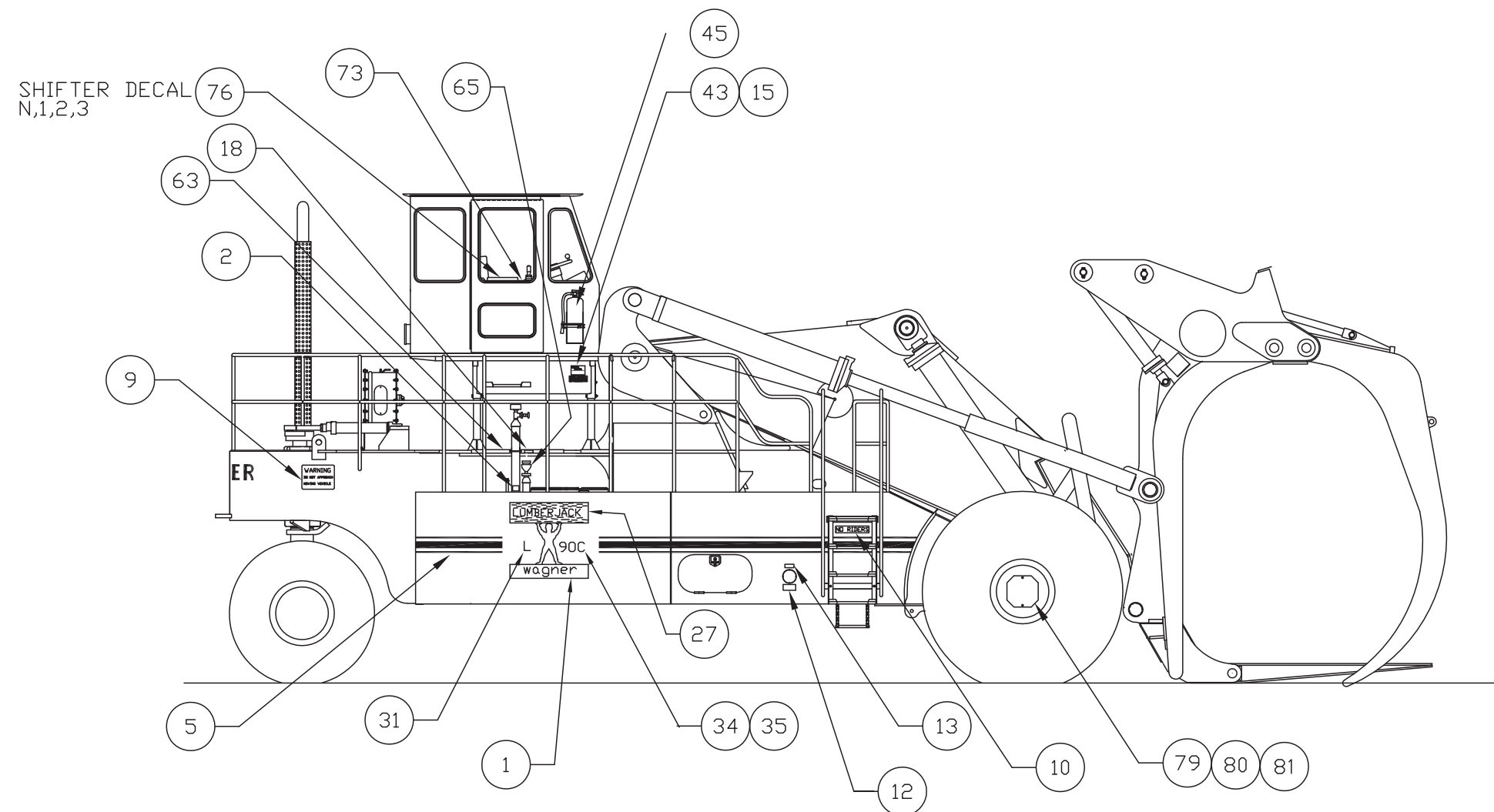
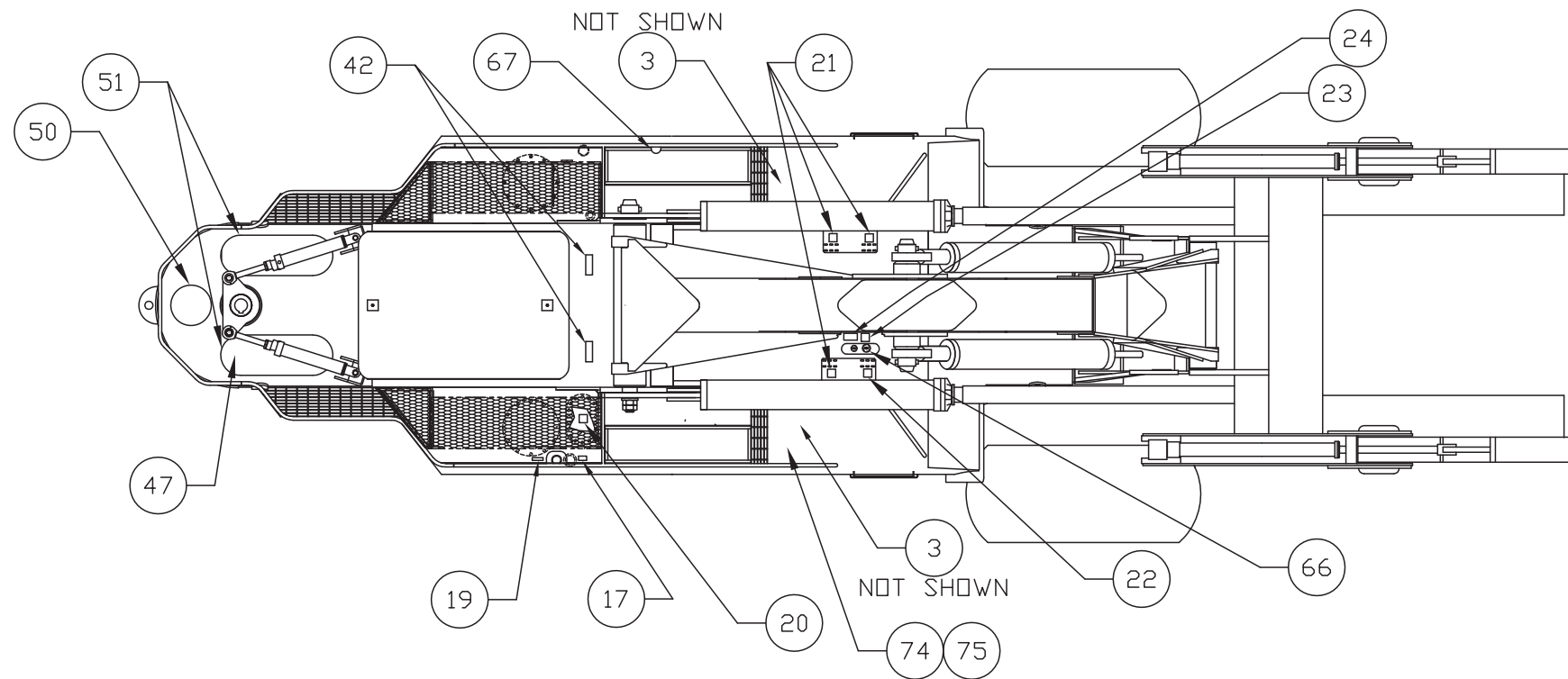
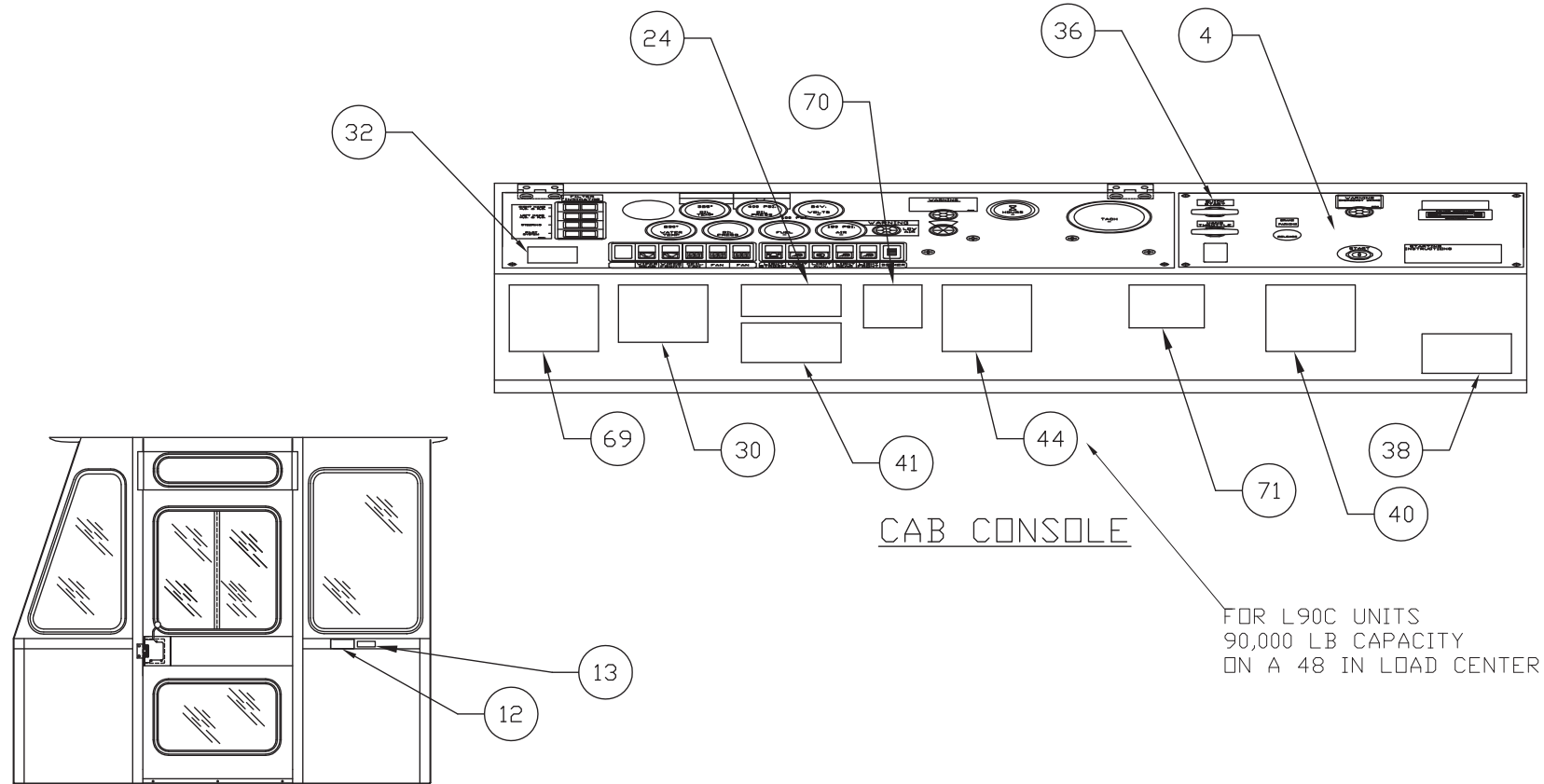
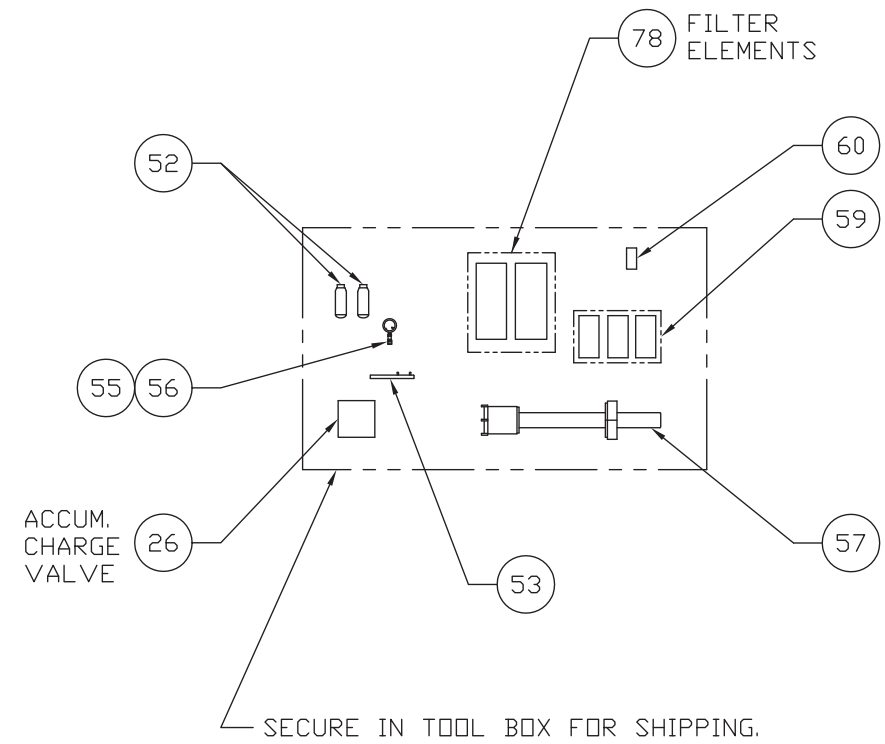

Decal Location & Final Assembly Parts

Decal Location & Final Assembly Parts

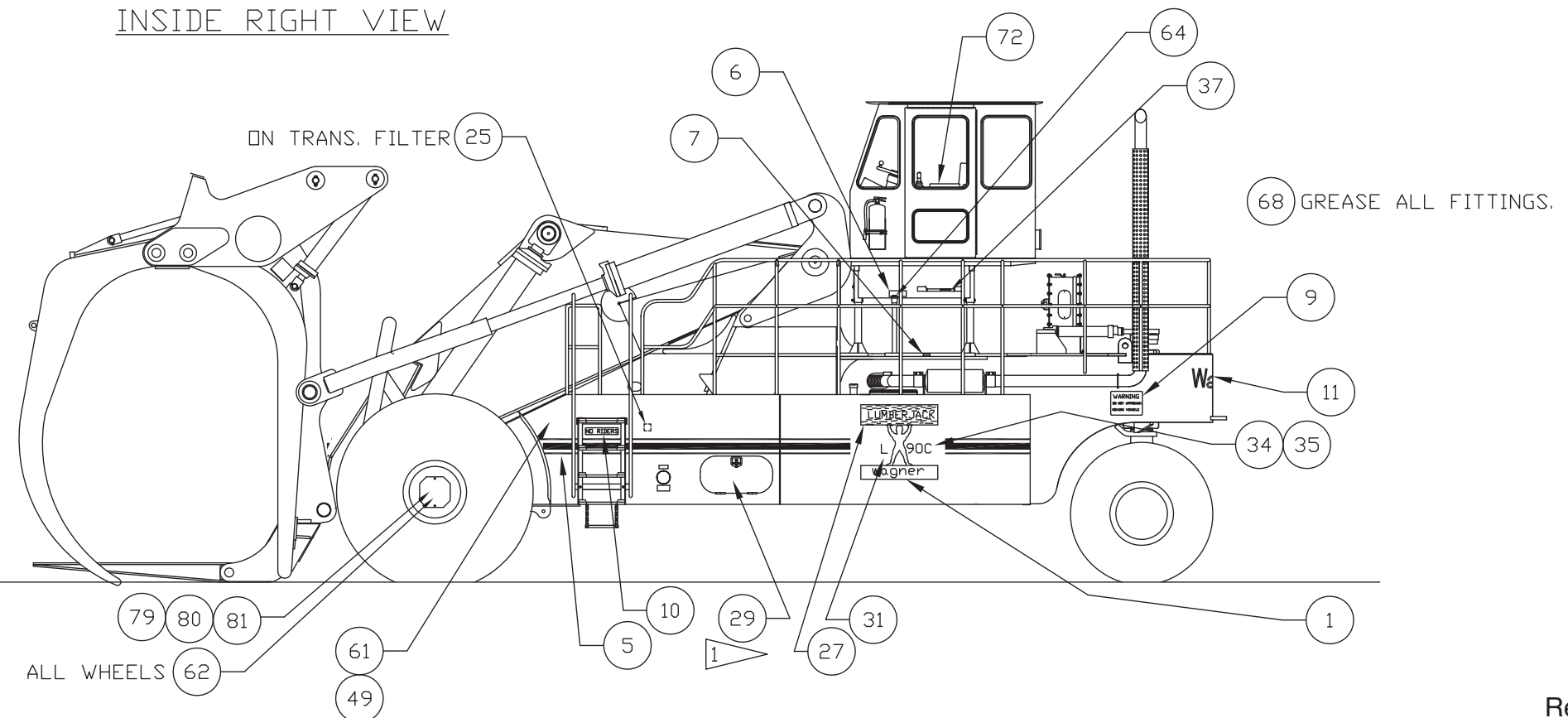
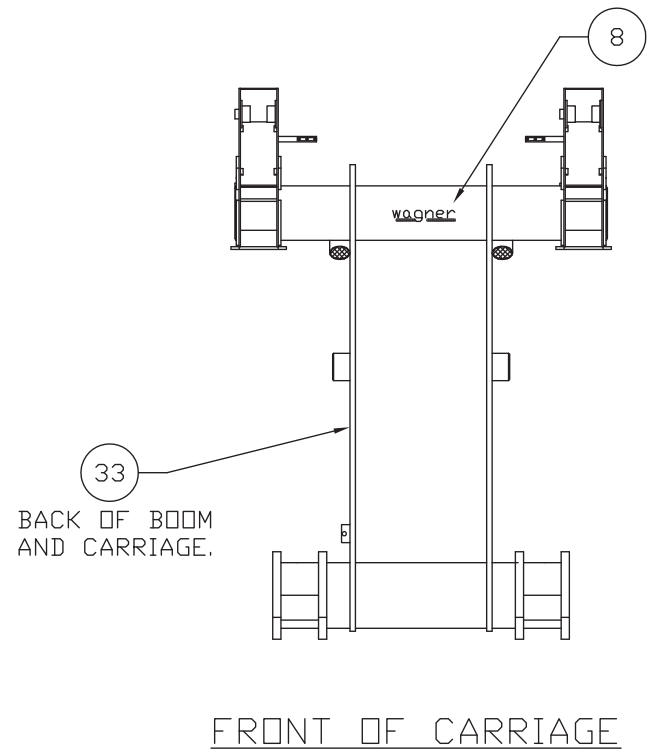
Item	Part No.	Qty	Description	Item	Part No.	Qty	Description
	580242		Finish/Decal Location				
1	558504	2	. Decal	41	504204	1	. Decal
2	557352	1	. Decal	42	560278	2	. Decal
3	219382	1RL	. Tape, Non-Skid	43	587109	1	. Nameplate
4	239722	1GL	. Paint, Black Low Sheen	44	587028	1	. Nameplate
5	529474	50'	. Decal	45	582769	1	. Fire Extinguisher Inst,W/Bracket
6	563640	1	. Decal	47	542918	28900LB	. Ballast Weight
7	504195	1	. Nameplate	49	222790	120QT	. Paint, Yellow Primer
8	558506	1	. Decal	50	516699	1	. Plate,Cover
9	547451	2	. Decal	51	541869	2	. Plate,Cover
10	547453	2	. Decal	52	225177	2	. Cartridge, Nitrogen
11	558505	1	. Decal	53	558533	1	. Wrench,Fire Extinguisher
12	539197	2	. Decal	55	228041	1	. Coupler, Fem
13	539226	2	. Decal	56	214203	1	. Gauge
15	558098	1	. Plate	57	537788	1	. Wrench,Spindle Nut
17	560276	1	. Decal	59	228210	3	. Element, Filter
19	561918	1	. Decal	60	228211	1	. Element, Filter
20	557353	1	. Decal	61	207633	26GL	. Paint, Enamel, Yellow
21	563357	3	. Decal	62	237462	2GL	. Paint, Ivory White Enamel
22	563356	1	. Decal	63	221340	12GL	. Anti-Freeze
23	557118	1	. Decal	64	236077	9GL	. Oil, Engine
24	528880	2	. Decal	65	219371	550GL	. Oil, Hydraulic
25	580145	1	. Decal	66	238206	20GL	. Oil, Hydraulic
26	243274	1	. Valve, Hi-Press	67	219373	50GL	. Oil, Diesel Fuel
27	523145	2	. Decal	68	219374	35LB	. Oil, Grease
29	557494	1	. Decal	69	223061	1	. Decal
30	505158	1	. Decal	70	518975	1	. Decal
31	565935	2	. Decal	71	556703	1	. Decal
32	562250	1	. Decal	72	557726	1	. Decal
33	239721	2GL	. Paint, Flat Black	73	561917	1	. Decal
34	565930	2	. Decal	76	558730	1	. Decal
35	573094	2	. Decal	77	222737	1TB	. Sealer, Edge
36	569023	1	. Decal	78	243458	2	. Element, Filter
37	563641	1	. Decal	79	587641	2	. Cover Plate
38	557341	1	. Decal	80	587642	2	. Seal, Cover
40	505159	1	. Decal	81	18619W	4	. Capscrew

* Note: Check with your dealer to see if an optional fluid was used.





INSIDE RIGHT VIEW



1 INSIDE BATTERY BOX BY DISCONNECT SWITCH