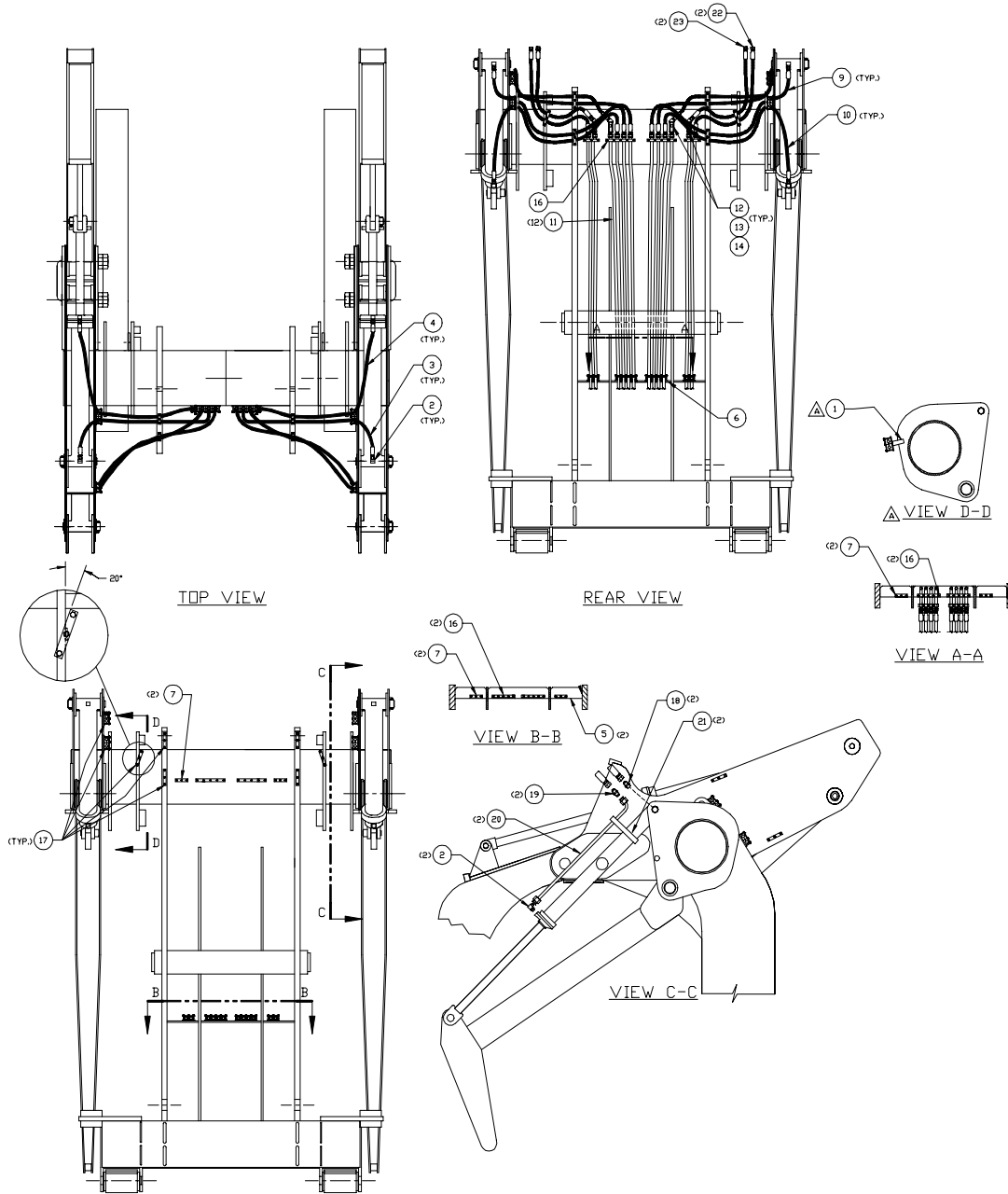


Hydraulic System Carriage



| Item | Part No. | Qty | Description | Item | Part No. | Qty | Description |
|---|----------|-----|-----------------------|------|----------|-----|------------------|
| 579185 Hydraulic System Carriage | | | | | | | |
| 1 | 568367 | 2 | . Bar | 13 | 209760 | 4 | . Fitting, St |
| 2 | 209715 | 10 | . Fitting, Elbow | 14 | 209860 | 4 | . Fitting, Ff |
| 3 | 247818 | 2 | . Hose Assembly | 16 | 225216 | 4 | . Clamp |
| 4 | 228463 | 2 | . Hose Assembly | 17 | 228961 | 10 | . Clamp |
| 5 | 579227 | 2 | . Plate | 18 | 209323 | 2 | . Fitting, St |
| 6 | 574069 | 1 | . Plate | 19 | 209442 | 2 | . Fitting, St |
| 7 | 225310 | 2 | . Clamp | 20 | 558941 | 2 | . Tube Assembly |
| 9 | 247819 | 2 | . Hose Assembly | 21 | 562456 | 2 | . Clamp Weldment |
| 10 | 229024 | 2 | . Hose Assembly | 22 | 228429 | 2 | . Hose Assembly |
| 11 | 574022 | 12 | . Tube Assembly | 23 | 228466 | 2 | . Hose Assembly |
| 12 | 21199 | 4 | . Valve, Flow Control | | | | |