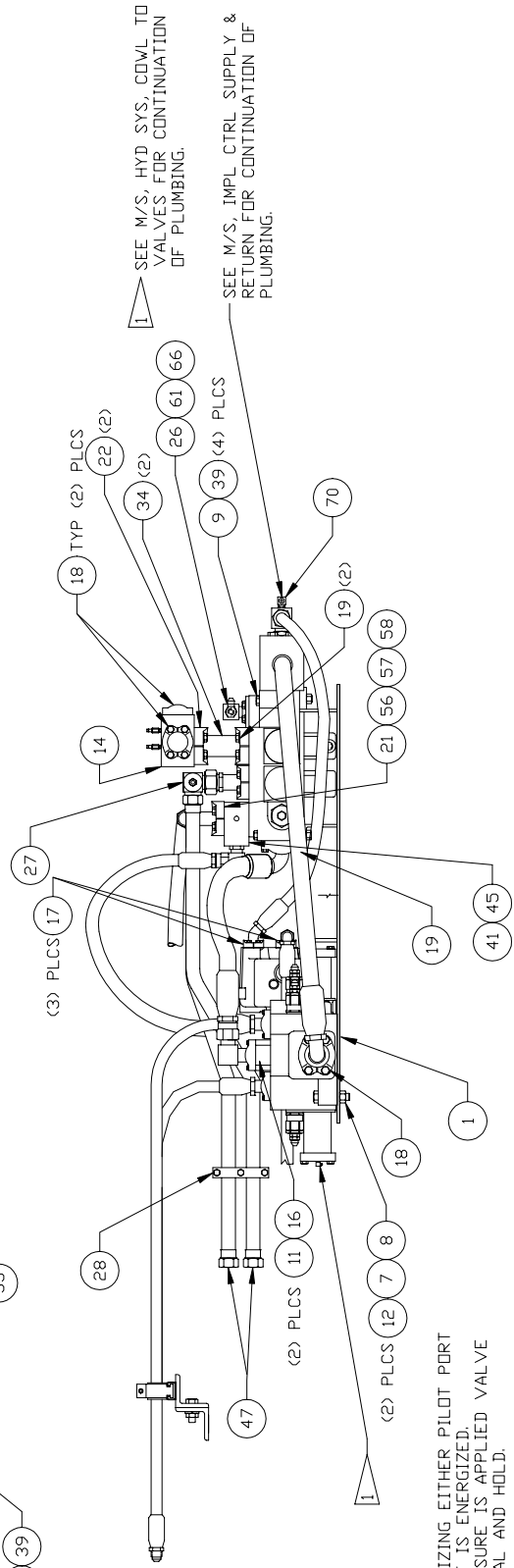
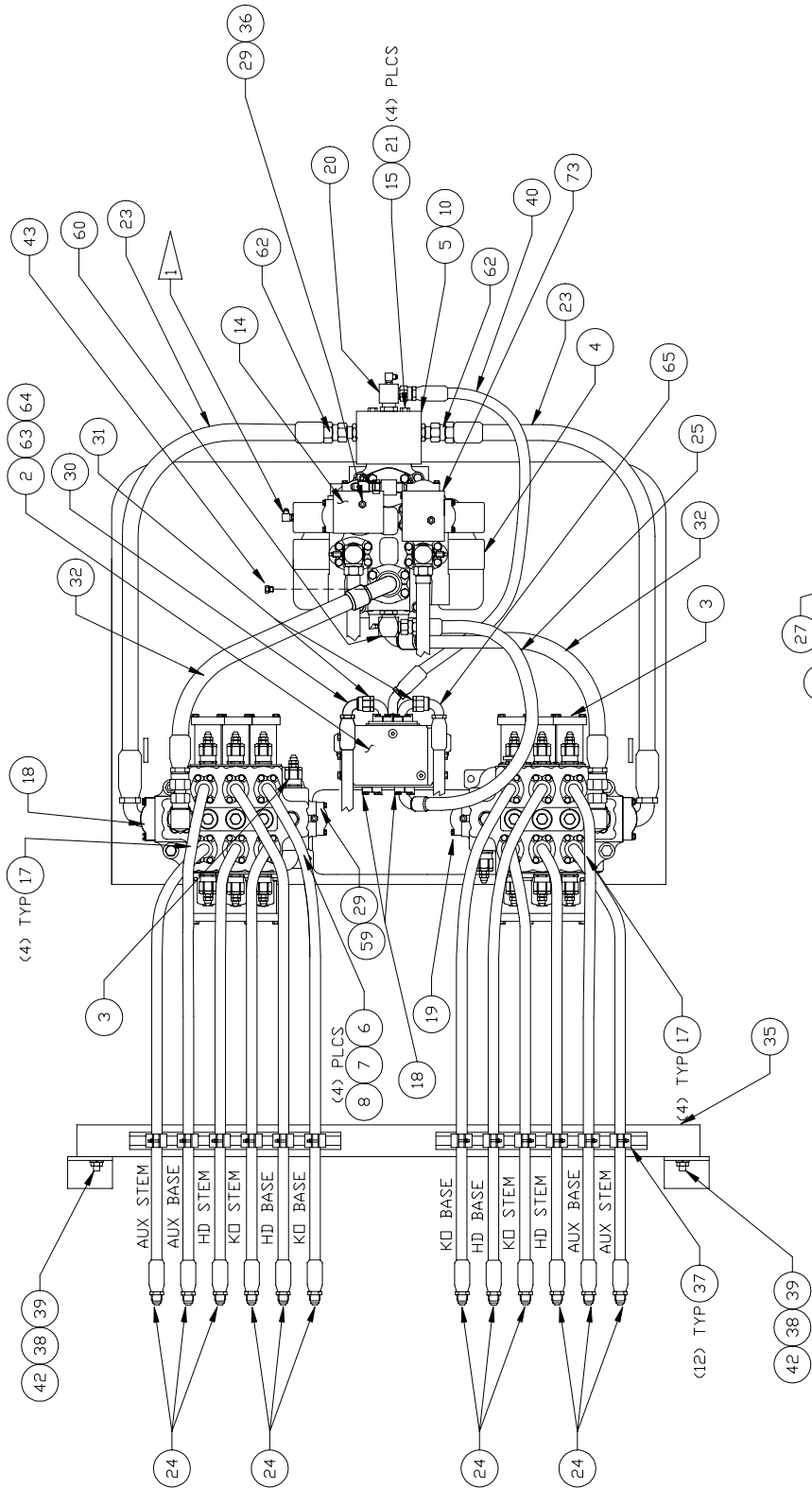

Valve Module



WHEN PRESSURIZING EITHER PILOT PORT OPPOSITE PORT IS ENERGIZED. WHEN NO PRESSURE IS APPLIED VALVE SENSES NEUTRAL AND HOLD.

Valve Module

Item	Part No.	Qty	Description	Item	Part No.	Qty	Description
	579183		Hydraulic Valves				
1	569107	1	. Valve Plate Weldment	27	14248	2	. Fitting, St
2	* 234082	1	. Valve, Flow Ampl	28	225310	1	. Clamp
3	* 236721	2	. Valve	29	228040	4	. Coupler, Male
4	* 229439	1	. Valve	30	234657	1	. Hose Assembly
5	563190	1	. Manifold	31	225128	2	. Fitting, El
6	230336	4	. Capscrew	32	231136	2	. Hose Assembly
7	230021	6	. Washer, Flat	34	522604	2	. Fitting
8	230897	6	. Nut, Esna	35	570442	1	. Clamp/Channel Weldment
9	230777	4	. Capscrew	36	225104	2	. Fitting, St
10	203519	1	. O-Ring	37	231248	12	. Clamp
11	234660	2	. Valve, Check	38	201569	2	. Washer, Flat
12	223915	2	. Capscrew	39	224202	6	. Nut, Esna
14	522589	2	. Manifold	40	237478	1	. Hose Assembly
15	234891	4	. Capscrew	41	203514	1	. O-Ring
16	224780	2	. Fitting, El	42	201635	2	. Capscrew
17	11759	15	. Kit, Split Flange	43	209423	1	. Fitting, Mc
	201567	4	. . Lockwasher	44	520145	1	. Fitting
	202201	4	. . Capscrew	45	527371	1	. Manifold,Alm
	203443	1	. . O-Ring	46	556099	1	. Fitting
	209535	2	. . Clamp Half	47	522453	2	. Tube Assembly
18	11740	8	. Kit, Split Flange	56	203516	1	. O-Ring
	201615	4	. . Capscrew	57	209537	2	. Clamp Half
	203446	1	. . O-Ring	58	00179896	4	. Capscrew
	209536	2	. . Clamp Half	59	225107	2	. Fitting, El
19	11767	7	. Kit, Split Flange	60	221140	1	. Fitting, El
	200604	4	. . Lockwasher	61	209141	1	. Fitting, Te
	209537	2	. . Clamp Half	62	209619	2	. Fitting, St
	222379	4	. . Capscrew	63	234883	3	. Capscrew
20	572874	1	. Fitting	64	223595	3	. Washer, Lock
21	234665	8	. Washer, Lock	65	231155	1	. Hose Assembly
22	12721	2	. Kit, Split Flange	66	210711	1	. Fitting, Te
	200604	4	. . Lockwasher	70	212705	1	. Fitting, Te
	209538	2	. . Clamp Half	71	21527	1	. Fitting, St
	222379	4	. . Capscrew	72	241232	8	. Capscrew
23	230757	2	. Hose Assembly	73	233003	1	. Hose Assembly
24	227251	12	. Hose Assembly	74	210084	1	. Fitting, El
25	226567	1	. Hose Assembly				
26	513759	1	. Flange ,Weld				

* See Separate Coverage