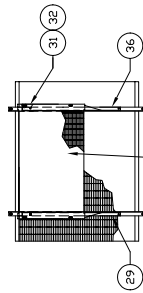
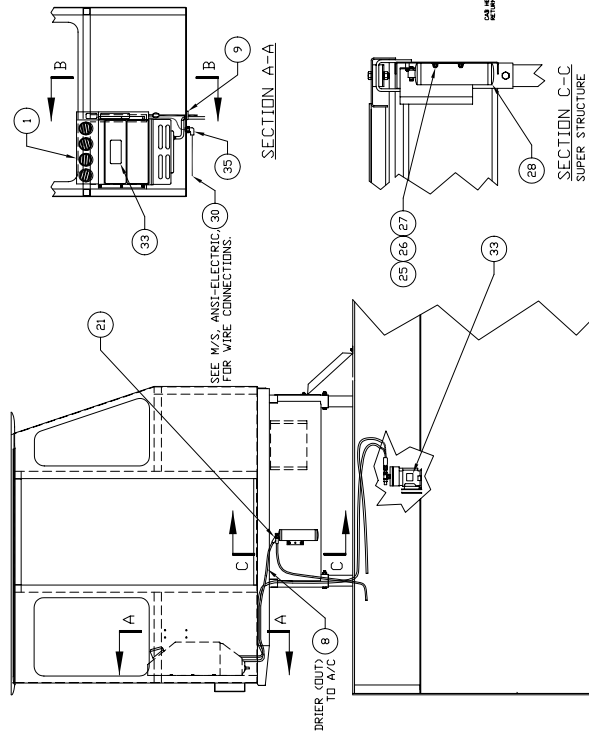

Air Conditioner/Heater Installation

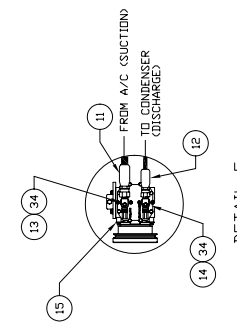


SECTION D-D
CONDENSER MOUNTING

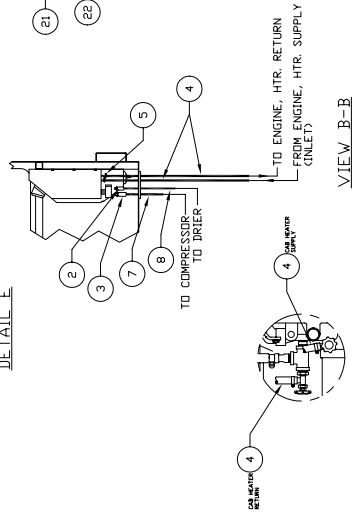


SECTION A-A

SECTION C-C
SUPER STRUCTURE

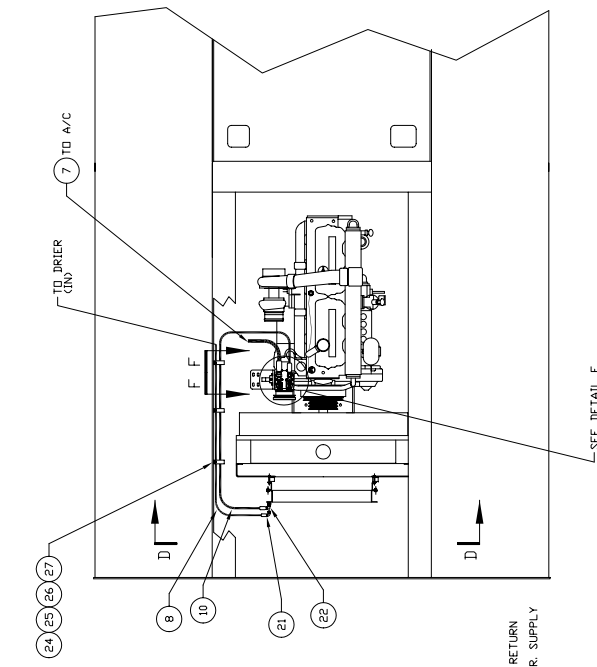


DETAIL E



VIEW B-B

VIEW F-F



SEE DETAIL E

NOTE: INSTL. FOR CAT 3406 ENGINE.

SYSTEM DESIGNED FOR REFRIGERANT 134A
USE REFRIGERANT OIL, P/N 238728,
FOR TOPPING OFF COMPRESSOR & HOSE ASSY.

Air Conditioner/Heater Installation

Item	Part No.	Qty	Description	Item	Part No.	Qty	Description
	578922		Air Conditioner/Heater Inst.				
1	* 238382	1	. Air Conditioner/Heater	23	239100	1	. Condenser
2	246864	1	. Hose End	24	209699	8	. Clamp
3	246865	1	. Hose End	25	223654	10	. Nut, Esna
4	203190	32'	. Hose, Heater	26	223427	10	. Flat Washer
5	201431	4	. Hose Clamp	27	222297	10	. Stud, Weld
7	246859	13'	. Hose, Air Conditioner	28	238534	1	. Drier, Receiver
8	246857	12'	. Hose, Air Conditioner	29	578262	1	. Bracket,RH
9	238385	1	. Gasket	30	208110	10'	. Cord, So
10	246858	11'	. Hose, Air Conditioner	31	223428	6	. Flat Washer
11	246861	1	. Hose End	32	224117	6	. Nut, Esna
12	246860	1	. Hose End	33	572532	2	. Decal
13	238548	1	. Valve, Compressor	34	R10664	2	. O-Ring
14	238547	1	. Valve, Compressor	35	237557	1	. Connector, Cord
15	* 579967	1	. A/C Compressor Installation	36	578264	1	. Bracket Weldment
21	246862	3	. Hose End				
22	246863	1	. Hose End				

* See Separate Coverage