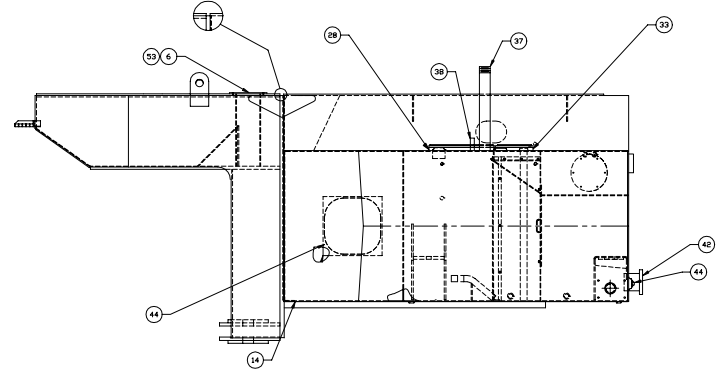
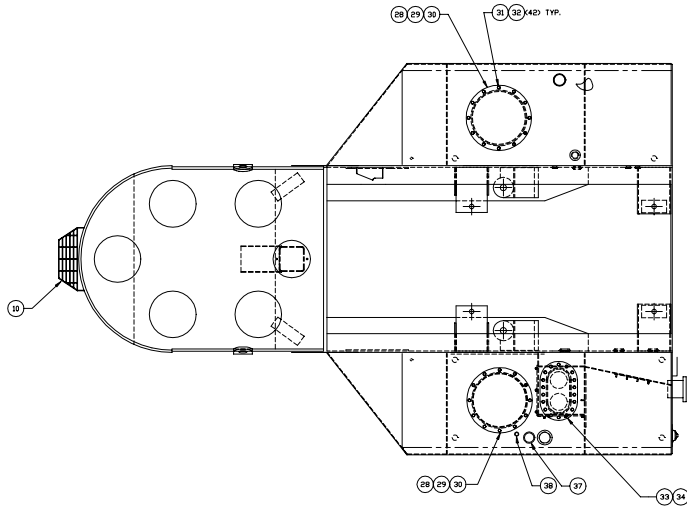
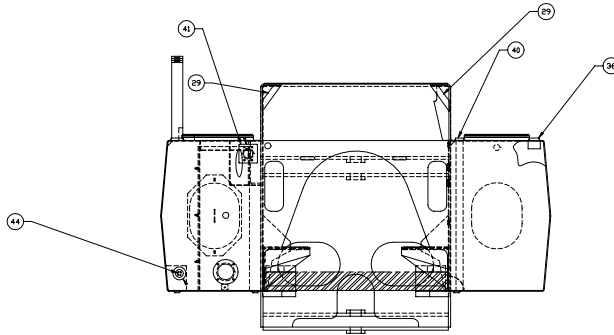


Rear Chassis

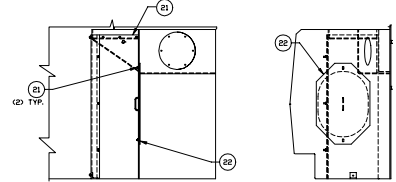
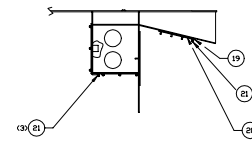


REAR SECTION, RIGHT SIDE

REAR SECTION, TOP VIEW



REAR SECTION, FRONT VIEW



HYDRAULIC TANK DETAIL
TANK WIPPER REMOVED FOR BETTER VIEW

Item	Part No.	Qty	Description	Item	Part No.	Qty	Description
	578233		Chassis , Rear	30	554445	2	. Plate,Manhole Cover
6	552425	1	. Plate,Cover	31	00217219	42	. Capscrew
10	519431	1	. Step Assembly	32	201569	42	. Washer, Flat
19	563775	1	. Gasket	33	562467	1	. Plate,Back
20	554150	1	. Plate,Cover	34	562468	1	. Gasket
21	223654	18	. Nut, Esna	37	563151	1	. Pipe
22	554520	1	. Cover Weldment,Baffle	38	561099	1	. Tube,D/Stk
28	554443	2	. Plate,Manhole Base	53	229959	2	. Capscrew
29	555064	2	. Gasket				