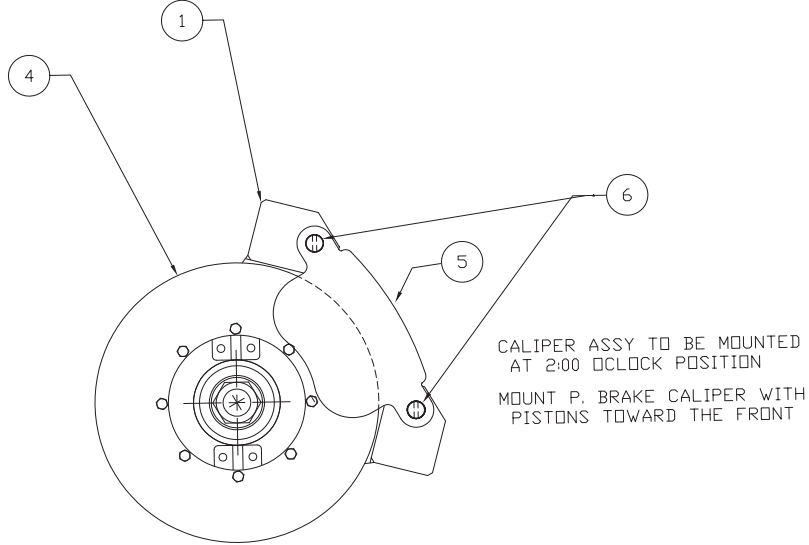
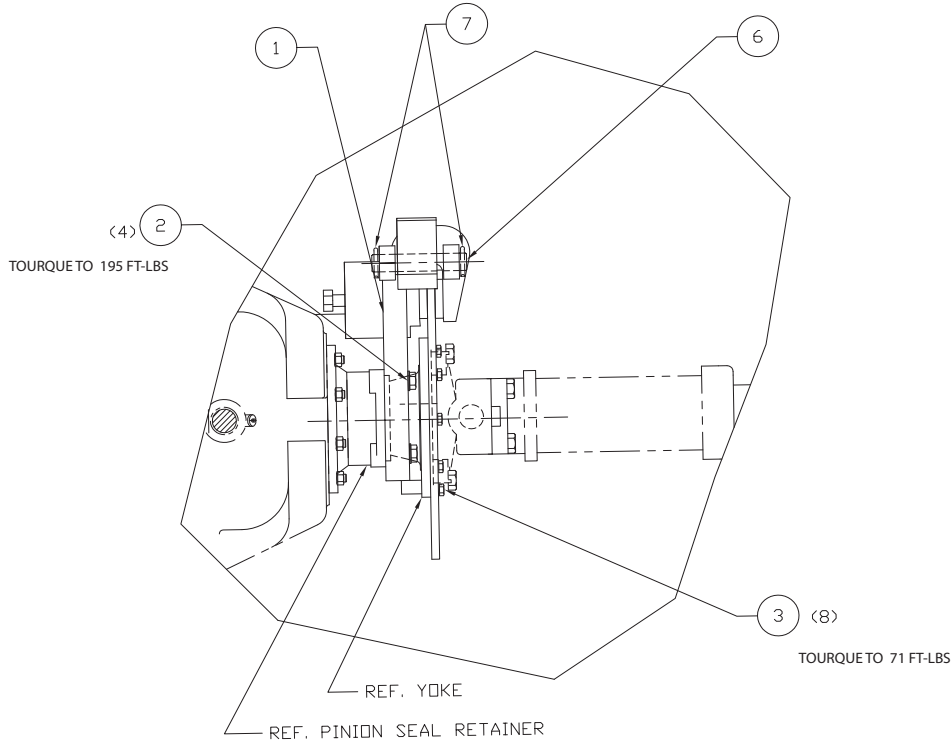


Parking Brake Installation



Item	Part No.	Qty	Description	Item	Part No.	Qty	Description
577281 Parking Brake Installation							
1	577267	1	. Brake Anchor Assembly	5	* 244409	1	. Parking Brake Caliper
2	Y93G-1028	4	. Capscrew	6	577287	2	. Pin
3	219646	8	. Capscrew	7	00103422	4	. Pin, Cotter
4	577280	1	. Brake, Disc				

* See Separate Coverage