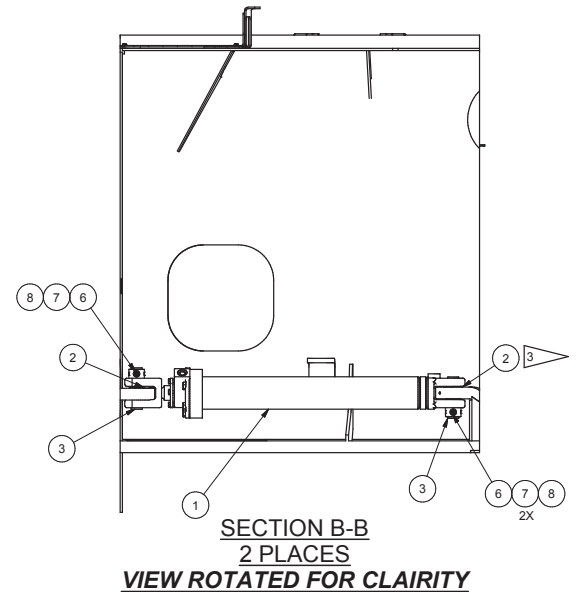
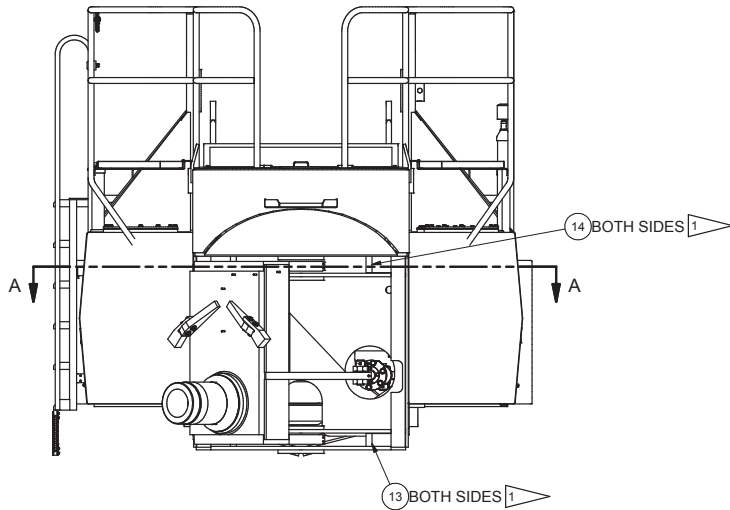
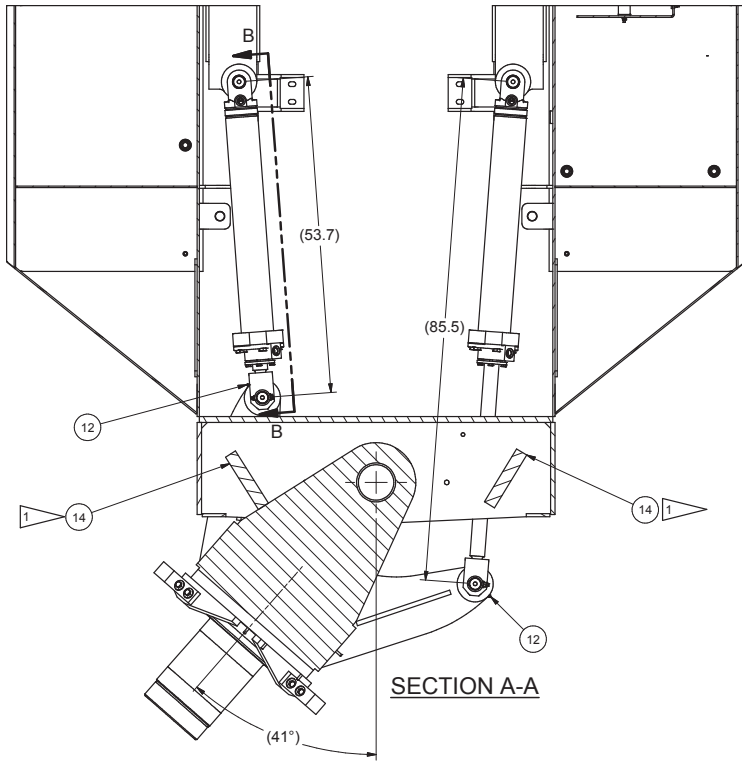


Steering Cylinder Installation



NOTES:

1: TO SET STOPS, EXTEND STEER CYLINDER STEM 1/4" FROM FULLY COLLAPSED POSITION. USE SWIVEL BOX TO POSITION STOP AS SHOWN IN SECTION A-A,

3: CENTER SPHERICAL BEARING IN BORE OF CHASSIS AND SWIVEL BOX INSTALLATION

Item	Part No.	Qty	Description
576503 Steering Cylinder Installation			
1	* 576513	2	. Cylinder Assembly
2	204502	4	. Bearing, Spherical
3	577088	4	. Pin
6	R13811082	4	. Capscrew
7	221771W	8	. Hard Washer
		8	R13811193
		12	00191758
		13	524893
		14	563196
		4	. Nut, Esna
		2	. Fitting, Lube
		2	. Stop
		2	. Stop, Steering

* See Separate Coverage