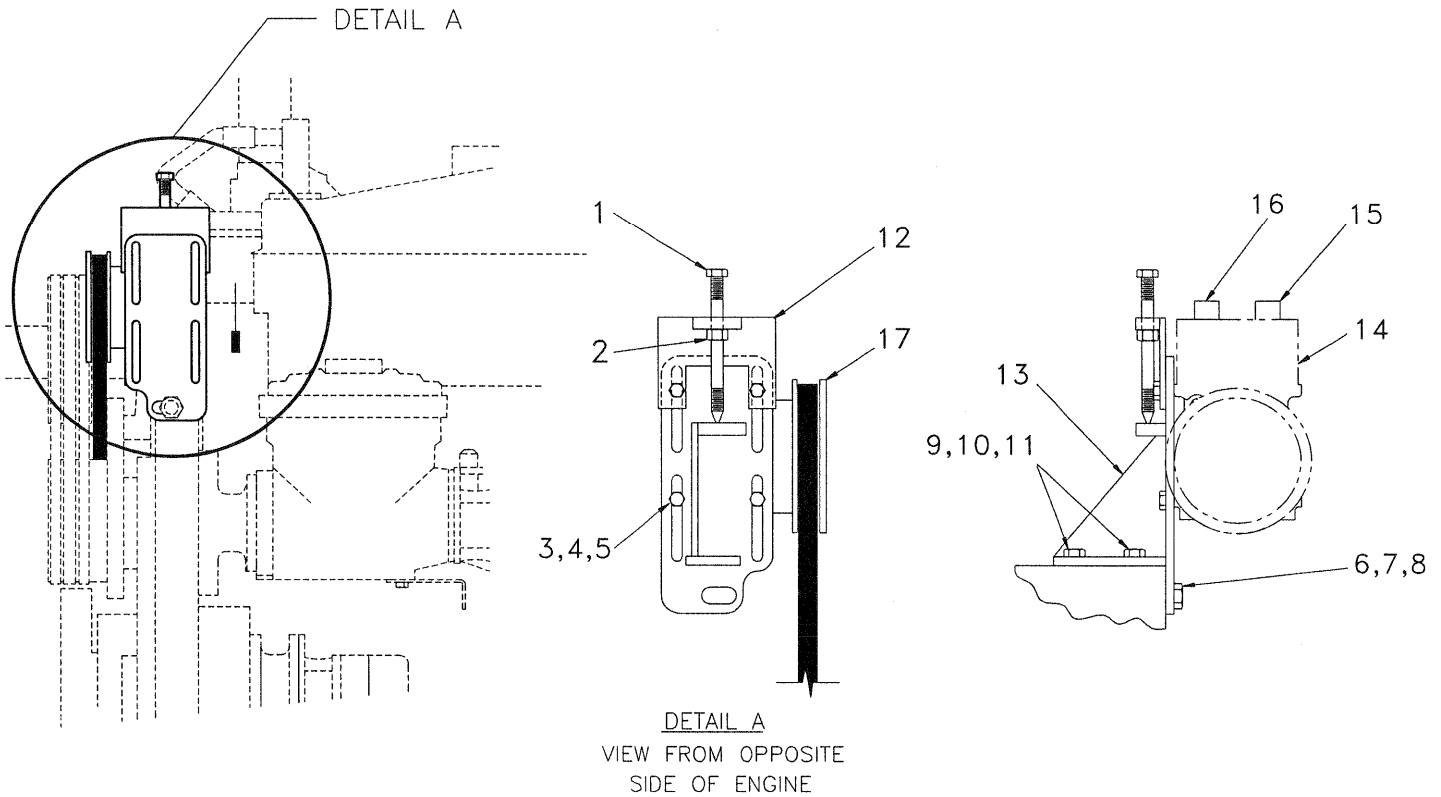


Air Conditioner Compressor Installation



NOTE:
 INSTALLATION LOCATED @ RIGHT
 SIDE OF NTA-855-C

Item	Part No	Qty	Description	Item	Part No	Qty	Description
Air Conditioner Compressor Installation							
1	557836	1	. Screw	10	00103343	2	. Washer
2	00102637	1	. Nut	11	200604	2	. Washer
3	201604	1	. Capscrew	12	557835	1	. Bracket Asm
4	201567	4	. Washer	13	539733	1	. Bracket Asm
5	201570	4	. Washer	14	214643	1	. Compressor
6	201638	4	. Capscrew	15	222426	1	. Valve, Compressor
7	00103325	1	. Washer	16	222427	1	. Valve, Compressor
8	00106267	1	. Washer	17	231621	1	. Pulley
9	201618	2	. Capscrew				