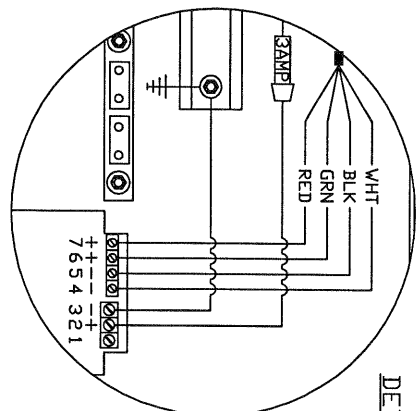
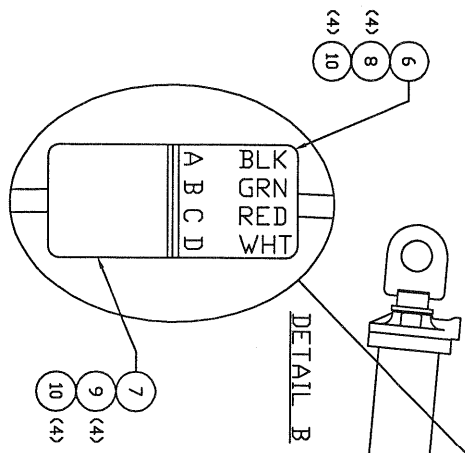
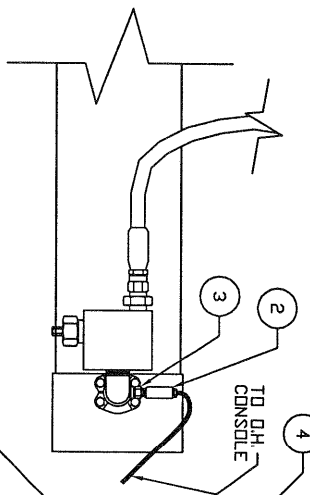

Load Indicator Installation

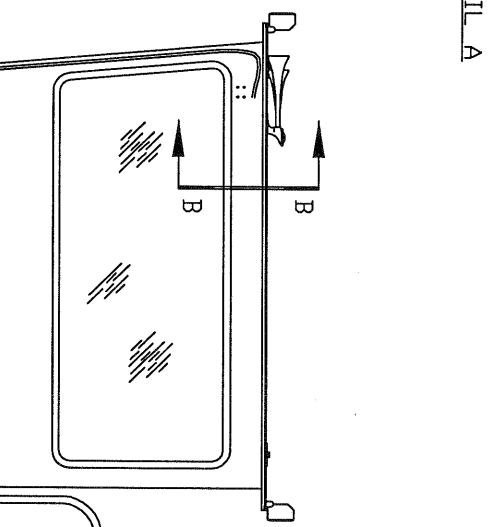


DETAIL A

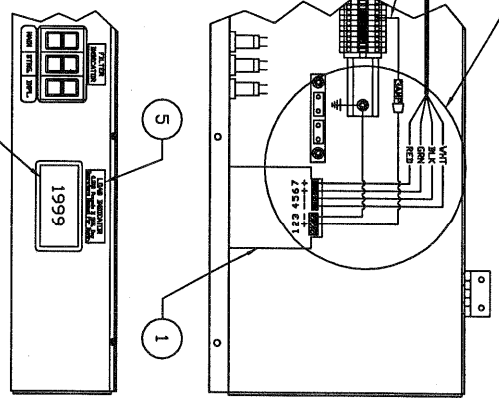
VIEW A-A
L.H. HOIST CYLINDER



DETAIL B



TO TRANSDUCER
DETAIL A



VIEW B-B
D.H. CONSOLE

- 1 NOTE: SEE WIRING DIAGRAM ON M/S FOR POWER CONNECTIONS.
- 2 NOTE: REF. OPERATOR'S MANUAL FOR CALIBRATION NOTES.

Load Indicator Installation

Item	Part No.	Qty	Description	Item	Part No.	Qty	Description
	571702		Load Indicator Installation				
1	237855	1	. Indicator, Digital	6	237155	1	. Hose Assembly
2	237856	1	. Transducer, Press	7	238160	1	. Connector, Wire
3	237857	1	. Snubber	8	R740874	4	. Pin, Female
4	11515	30'	. Cord, So	9	R740866	4	. Pin, Male
5	571655	1	. Decal	10	R740867	8	. Seal, Wire