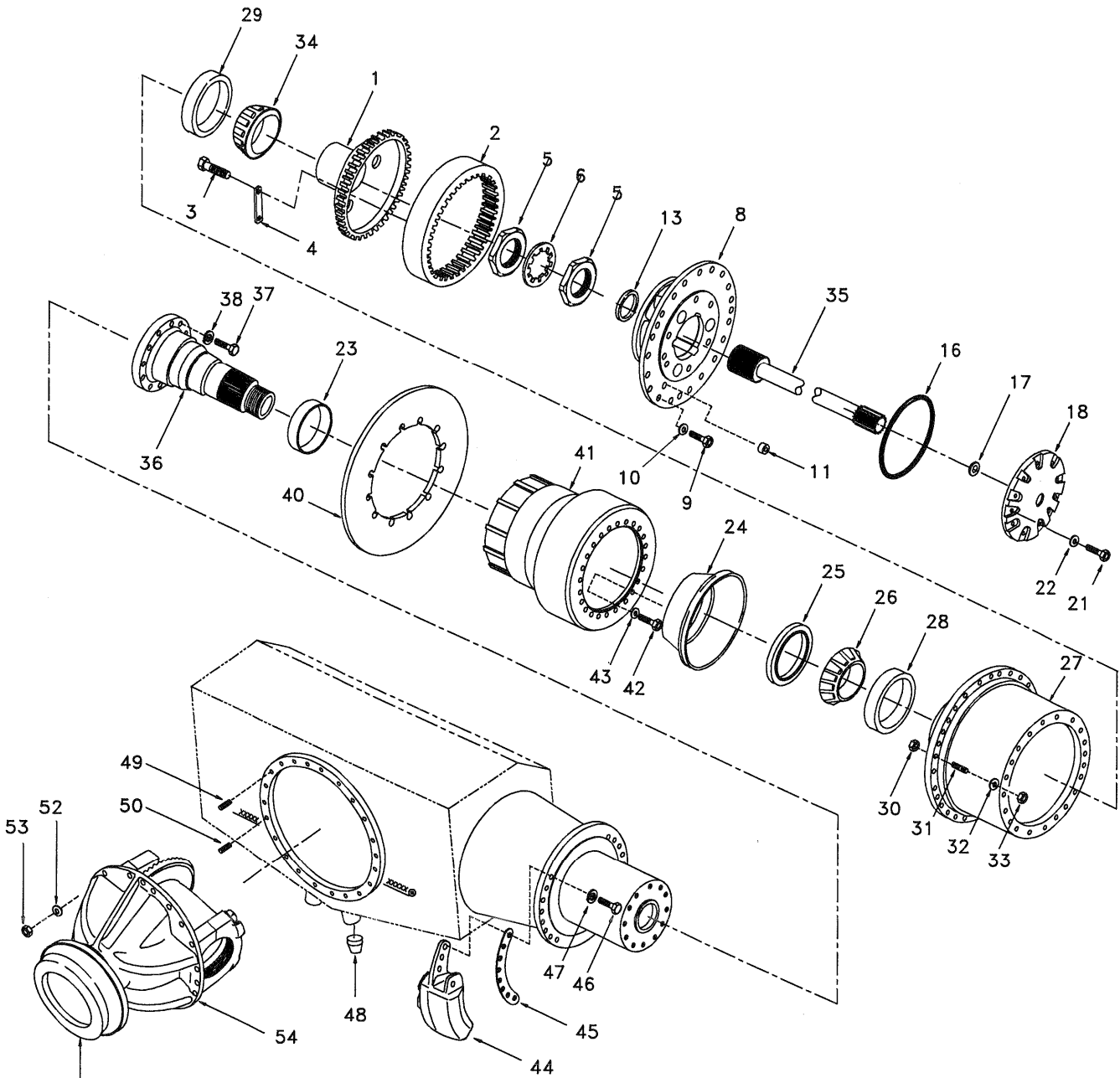
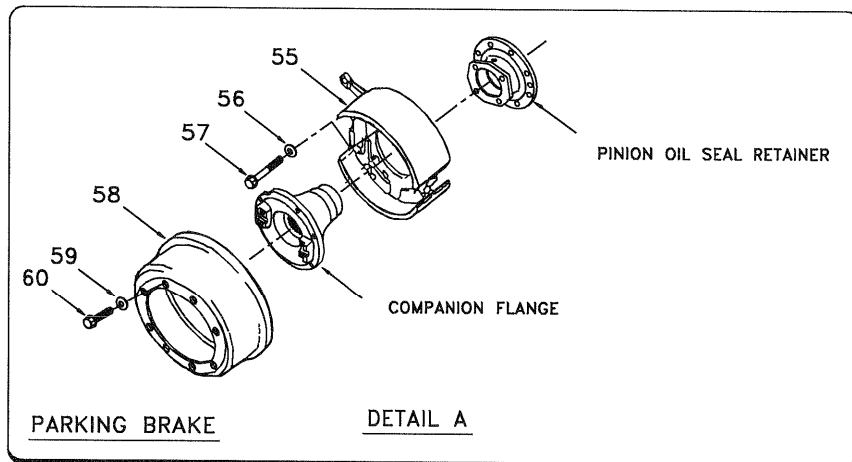


Drive Axle



SEE DETAIL A

NOTE: PARKING BRAKE IS NOT PART OF THE DIFFERENTIAL, IT IS SOLD SEPARATE



PARKING BRAKE

DETAIL A

Drive Axle

Item	Part No	Qty	Description	Item	Part No	Qty	Description
	571637		Drive Axle				
	223618	2	. Internal Gear & Hub Assembly	35	233187	2	. Axle Shaft & Sun Gear
1	223599	1	. . Gear Hub	36	223611	2	. Spindle
2	223604	1	. . Ring Gear	37	00223489	24	. Capscrew
3	226279	12	. . Capscrew	38	208830	24	. Washer
4	223610	6	. . Retainer Plate	40	544408	2	. Brake Disc
5	208824	4	. Nut	41	545333	2	. Disc Driver
6	201003	2	. Washer	42	218760	48	. Capscrew
8	* 223617	2	. Planet Carrier	43	204882	48	. Washer
9	208951	62	. Capscrew	44	* 570733	4	. Disc Brake Caliper
10	R104412	26	. Washer	45	545267	A/R	. Shim (1 per Caliper - Max.)
11	201131	2	. Plug	46	218760	32	. Capscrew
13	223600	2	. Thrust Washer	47	204882	32	. Washer
16	208956	2	. Seal	48	201319	2	. Plug
17	201047	2	. Spacer	49	218116	18	. Stud
18	223622	2	. Planet Cover	50	218117	4	. Stud
21	217762	18	. Capscrew	52	200762	22	. Washer
22	211304	18	. Lockwasher	53	217779	22	. Nut
23	217771	2	. Wear Sleeve	54	*,*a 231414	1	. Differential & Carrier Asm
24	216157	2	. Oil Catcher	55	* 201087	1	. Parking Brake
25	217777	2	. Oil Seal	56	217764	4	. Lockwasher
26	217832	2	. Bearing Cone	57	219647	4	. Capscrew
27	230320	2	. Hub, Cup & Stud Asm, 30 Stud	58	200953	1	. Drum Brake
28	217833	1	. . Bearing Cup	59	219344	8	. Lockwasher
29	217834	1	. . Bearing Cup	60	219647	8	. Capscrew
30	201233	A/R	. . Nut				
31	219233	A/R	. . Wheel Stud				
32	204882	36	. Washer				
33	217768	36	. Wheel Nut				
34	217835	2	. Bearing Cone				

A/R As Required

* See Separate Coverage

*a Use 236308 Sealant for Mounting