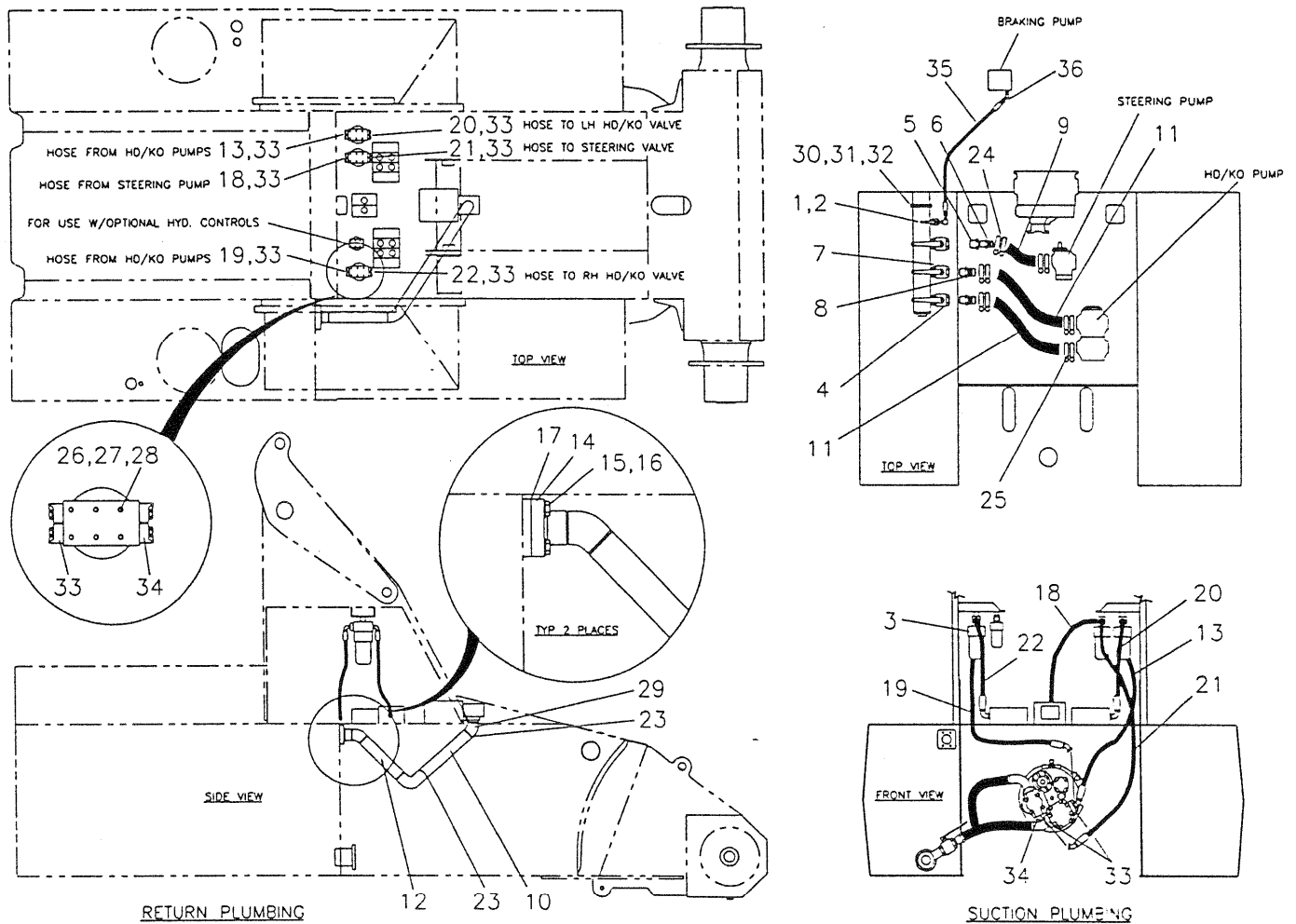


Chassis Hydraulics



Item	Part No	Qty	Description	Item	Part No	Qty	Description
Chassis Hydraulics							
1	229164	1	. Valve	25	216042	8	. Clamp
2	237729	1	. Fitting	26	201611	18	. Capscrew
3	228201	3	. High Pressure Filter	27	201567	18	. Lockwasher
4	228321	3	. Ball Valve	28	223427	18	. Flat Washer
5	220667	1	. Fitting	29	564238	1	. Elbow
6	221186	1	. Fitting	30	00271564	4	. Capscrew
7	563832	1	. Manifold, Suction	31	00103331	4	. Lockwasher
8	220532	2	. Fitting	32	203543	1	. O-Ring
9	201439	A/R	. Hose	33	11767	8	. Split Flange Kit
10	215279	A/R	. Hose		203516	1	. O-Ring
11	211791	A/R	. Hose		209537	2	. Clamp Half
12	568432	1	. Return Tube Weldment		222379	4	. Capscrew
13	234068	1	. Hose Asm		201569	4	. Washer
14	230769	4	. Split Flange Half	34	11740	1	. Split Flange Kit
15	229082	8	. Capscrew		203446	1	. O-Ring
16	200607	8	. Lockwasher		215064	2	. Clamp Half
17	203528	2	. O-Ring		202201	4	. Capscrew
18	234069	1	. Hose Asm		201567	4	. Washer
19	234072	1	. Hose Asm	35	231664	1	. Hose Asm
20	234070	1	. Hose Asm	36	237773	1	. Fitting
21	234071	1	. Hose Asm				
22	234073	1	. Hose Asm				
23	229187	4	. Clamp				
24	211674	4	. Clamp				
				*			See Separate Coverage
				A/R			As Required