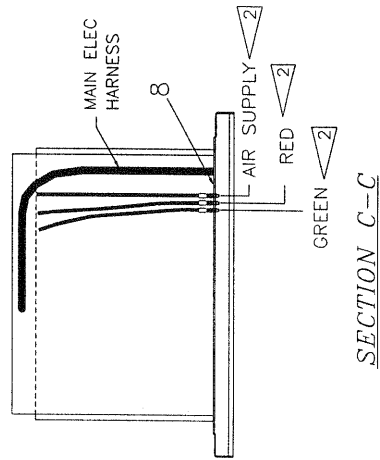
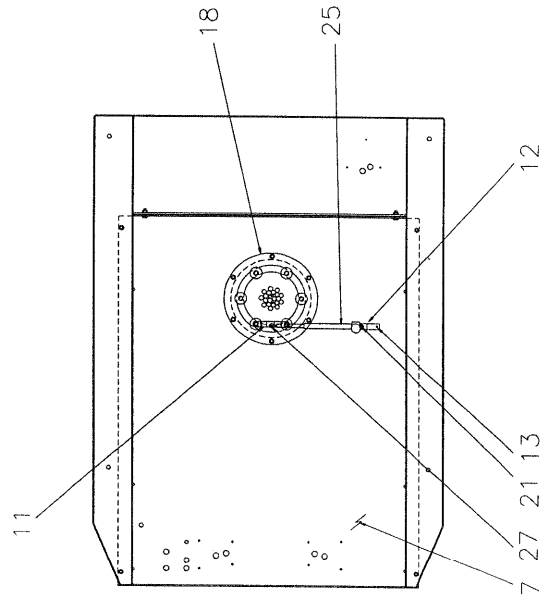
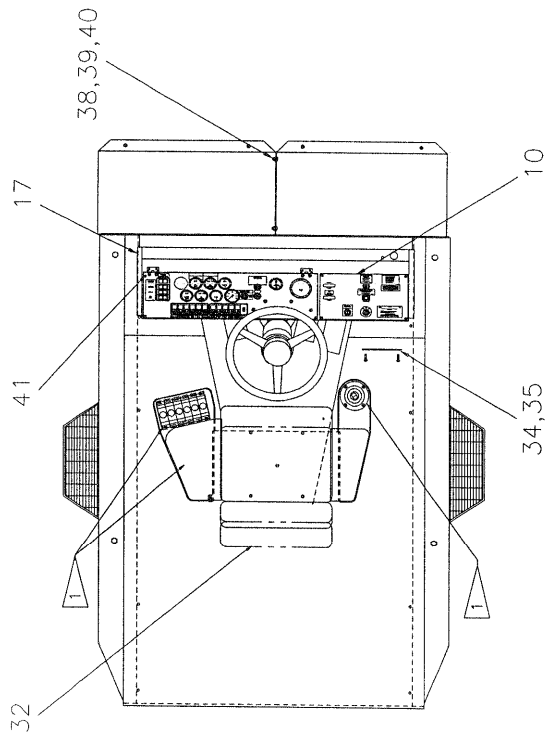
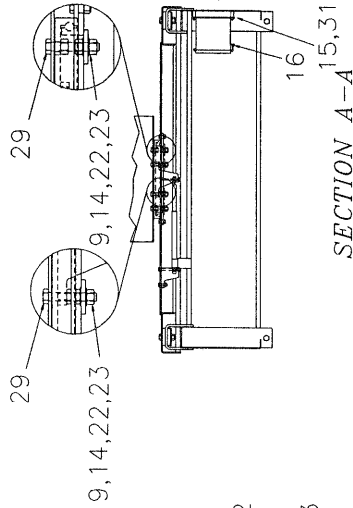


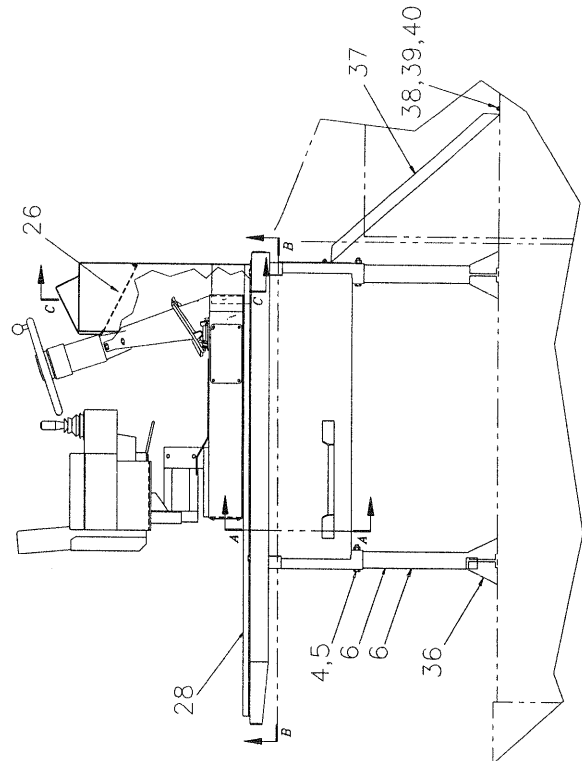
Cowl Assembly



SECTION B-B



- 1 SEE IMPLEMENT CONTROLS SECTION 5-1
- 2 SEE AIR SYSTEM-VEHICLE SECTION 4-1
- 3 ITEM 33 IS A WIRING SCHEMATIC FOUND IN THE SERVICE SECTION 6-2



Cowl Assembly

Item	Part No	Qty	Description	Item	Part No	Qty	Description
	571419		Cowl Assembly				
1	228575	4	. Capscrew	22	570493	6	. Washer
2	521106	8	. Pad	23	201569	12	. Washer
3	521125	4	. Spacer	24	230530	8	. Nut
4	224121	8	. Nut	25	* 236984	1	. Linear Actuator
5	230893	4	. Capscrew	26	* 571527	1	. Terminal Panel Asm
6	533716	4	. Pipe	27	234864	1	. Capscrew
7	570651	1	. Floor Weldment	28	570581	1	. Floor Mat
8	570639	1	. Plate	29	570679	6	. Capscrew
9	224202	1	. Nut	31	571533	4	. Spacer
10	* 571413	1	. Dash Panel Asm	32	* 571498	1	. Pedestal Asm
11	570588	1	. Bracket	34	568800	1	. Plate
12	570589	1	. Bracket	35	237122	2	. Capscrew
13	230665	1	. Capscrew	36	562366	16	. Gusset
14	230873	4	. Nut	37	563886	16	. Guard
15	222441	23	. Nut	38	201570	16	. Washer
16	* 571521	1	. Junction Box	39	223654	16	. Nut
17	* 571414	1	. Instrument Panel Asm	40	201602	2	. Capscrew
18	570668	7	. Bearing	41	223146	8	. Machine Screw
19	568285	1	. Superstructure Weldment				
20	570343	1	. Cowl Weldment				
21	236392	1	. Capscrew				
				*	See Separate Coverage		