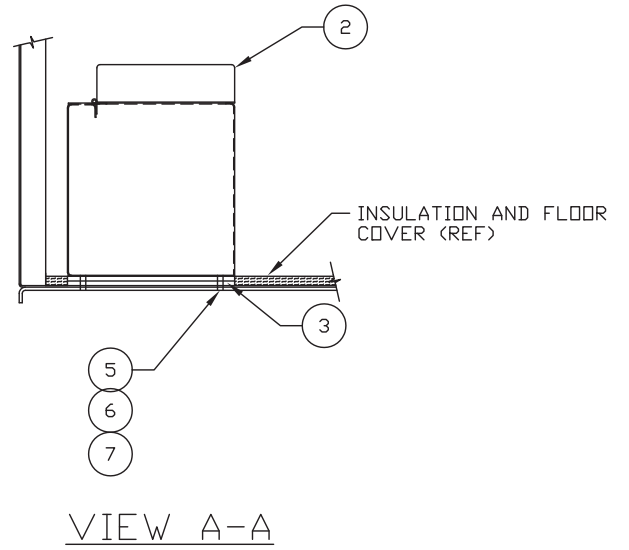
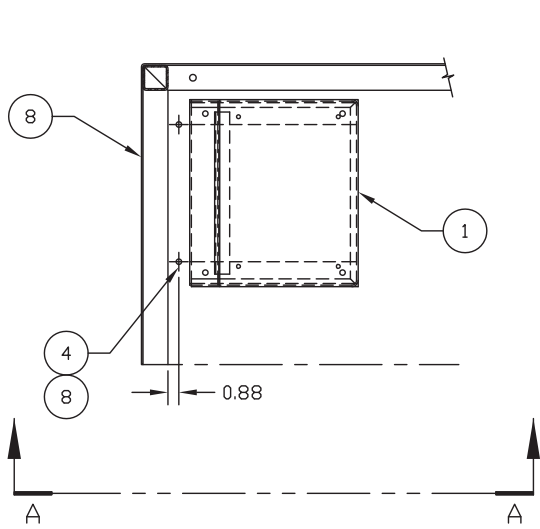


Training Seat Installation



Item	Part No.	Qty	Description	Item	Part No.	Qty	Description
	570875		Seat Installation - Training				
1	570539	1	. Seat Base	5	16816W	4	. Capscrew
2	237016	1	. Cushion, Training Seat	6	230282	4	. Flat Washer
3	560858	4	. Bar, Spacer	7	223654	4	. Locknut
4	240783	1	. Belt, Safety	8	* 240259	1	. Kit, Seatbelt Hardware
							* Not Shown