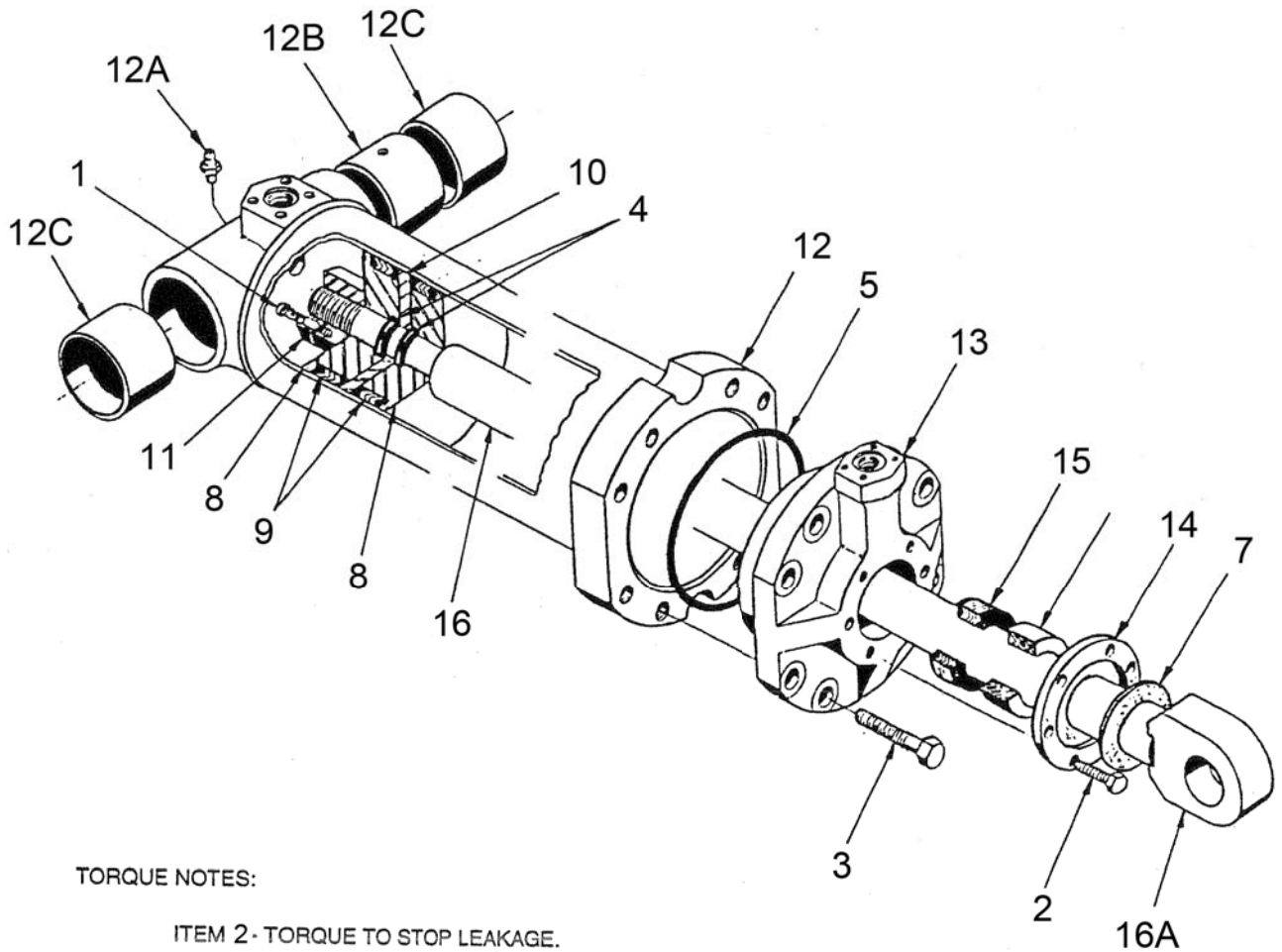


Hydraulic Cylinder



TORQUE NOTES:

ITEM 2 - TORQUE TO STOP LEAKAGE.

ITEM 3 - TORQUE TO 1000 LB-FT.

ITEM 11 - TORQUE TO 2000 LB-FT.

ITEM 1 - TORQUE TO 50 LB-FT.

Item	Part No.	Qty	Description	Item	Part No.	Qty	Description
	562896		Cylinder Assembly				
1	234721	1	. Capscrew	12A	00191758	1	.. Lube Fitting
2	230487	10	. Capscrew	12B	505570	1	.. Spacer
3	230260	8	. Capscrew	12C	505568	2	.. Bushing
5	566401	1	. Kit, Packing,10	13	533664	1	.. Packing Gland
8	505576	2	. Piston	14	533665	1	.. Retainer
10	505578	1	. Spacer,Piston	16	562897	1	.. Stem Assembly
11	505951	1	. Nut, Cylinder Stem	16A	562898	1	.. Stem Eye
12	563695	1	. Barrel & Eye Assembly	17	533666	1	.. Bushing

* 533670 Service Kit