

# Seat Mounted Controls

## Left Hand Armrest Control Unit

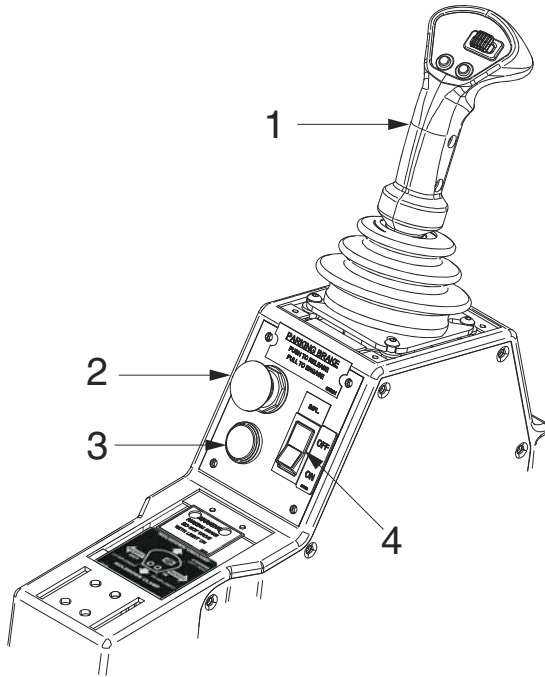


Figure 2-4-1 Left Hand Armrest Control Unit

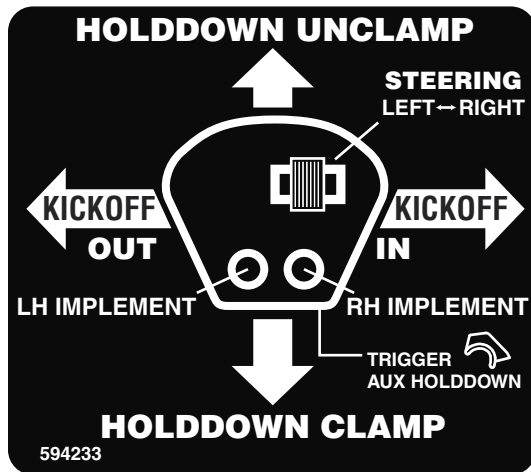


Figure 2-4-2 Left Hand Joystick Detail

**NOTE:** the left armrest control unit will raise to allow clearance for ingress and egress of the operator from the cab. Raise the cushioned armrest, and lift up on the left armrest control unit.

### 1. Holddown and Kickoff Joystick

- Push joystick forward to unclamp holddown arms.
- Pull joystick back to clamp holddown arms.
- Push joystick right to move kickoff arms IN.
- Push joystick left to move kickoff arms OUT.
- Press and hold the LH implement button while operating the joystick to control the left kickoff/ holddown arm only.
- Press and hold the RH implement button while operating the joystick to control the right kickoff/holddown arm only.
- Push STEERING slider lever to left or right to steer in either direction.
- Hold trigger in while pushing or pulling joystick to extend or retract auxiliary holddown arms.

**NOTE:** Steering wheel overrides LH and RH joystick steering. RH joystick steering overrides LH joystick steering.

### 2. Parking Brake Control

To apply the parking brakes, pull the button out. To release the brakes push the button in.

## NOTICE

*DO NOT* apply parking brakes when the machine is moving. Damage to components will occur.

### 3. Parking Brake Indicator Light

If the key switch is ON, and the parking brake is ON, this light will be ON.

### 4. Implement Control - ON / OFF Switch

Place this switch in the OFF position when there is any danger of inadvertently moving the implement control levers during service or repair while the engine is running. Place the switch in the OFF position before leaving the cab. With the switch in the OFF position, the implement controls are shut off.

## ⚠ WARNING

To prevent inadvertent actuation of implements or steering while swiveling seat, turn off implement controls, slide seat all the back, tilt steering wheel all the way forward and raise steering wheel to highest position. Failure to do so could cause serious injury or death to personnel.

## Right Hand Armrest Control Unit

### 1. Hoist and Tilt Joystick

- Push joystick forward to lower hoist.
- Pull joystick back to raise hoist.
- Push joystick right to tilt carriage out.
- Push joystick left to tilt carriage back.
- Press bottom right button to rotate seat right.
- Press bottom left button to rotate seat left.
- Press top right DIRECTION rocker switch to engage forward, neutral or reverse:



Figure 2-4-3 Direction Rocker Switch located on RH Joystick

- Push STEERING slider lever to left or right to steer in either direction.

**NOTE: Steering wheel (if equipped) overrides LH and RH joystick steering. RH joystick steering overrides LH joystick steering.**

- TRIGGER for up and down shifting through gears (see Shift Sequence).

### 4. Hand Throttle Up/Down Switch

Adjusts RPM's up or down when adjacent switch item 3 (see Figure 2-4-4) is engaged.

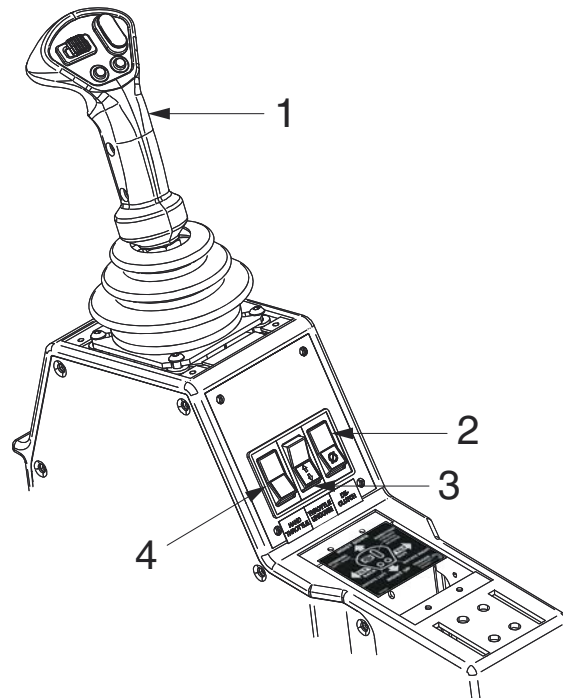


Figure 2-4-4 Right Hand Joystick Detail

## NOTICE

Always let up on the throttle slightly when shifting speed ranges. This will significantly reduce shock loads to drivetrain components during shift. Also, always reduce engine rpm when downshifting, as you can over-speed the engine.

### 2. Declutch Control Switch

If the control is ON, the declutch system automatically shifts the transmission into neutral when you apply the service brakes. This allows you to perform all hydraulic functions at any rpm smoothly, without causing converter stall or other unnecessary strains on the brake or drivetrain components. If downgrades are encountered, the control should be turned to the OFF position, so the transmission will remain in gear when the brakes are applied. This control should be left in the ON position for normal operations.

### 3. Hand Throttle ON/OFF Switch (For engine warm up only)

Overrides foot throttle. To engage flip switch into the on position. Used with item 4 (see Figure 2-4-4).

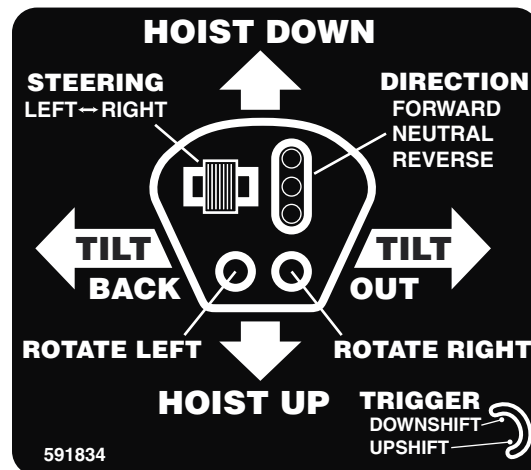


Figure 2-4-5 Direction Button located on RH Joystick

**NOTE: the right armrest control unit will raise to allow clearance for ingress and egress of the operator from the cab. Raise the cushioned armrest, and lift up on the left armrest control unit.**

## Shift Sequence

To start shift sequence, apply service brake, release parking brake, and engage DIRECTION rocker switch to FORWARD or REVERSE position.

Gear SHIFTS are controlled by rolling the TRIGGER up or down.

Shift to NEUTRAL by activating parking brake or pressing the DIRECTION rocker to the middle position on the joystick.

DIRECTION rocker switch in FORWARD or REVERSE position.

Rolling the trigger down causes the transmission to UPSHIFT.

Rolling the trigger up causes the transmission to DOWNSHIFT.

DIRECTION shift allowed:

- In first gear.
- In all other gears if the brake is pressed for 1 second and throttle released for 1 sec.

**Note: If DIRECTION rocker is switched without the throttle and service brake conditions being met then the transmission will go into neutral, the indicator lights will show the gear and direction and the neutral light will flash. The transmission will go into the requested direction and range when throttle and service conditions are met.**

## DECLUTCH

Declutch is activated with the declutch switch and service brake. It is deactivated after the service brake is released.

**Note: If declutch is actively engaged, the “Neutral” light will flash but the direction and gear will remain displayed.**

While in active declutch, gear and direction can still be changed if conditions above are met (see DIRECTION shift allowed) but the transmission remains in temporary neutral until the brake is released.

## Emergency Lowering of Boom

The Boom can be lowered with the key start switch in the ACC position.



## WARNING

**To prevent inadvertent actuation of implements or steering while swiveling seat, turn off implement controls, slide seat all the back, tilt steering wheel all the way forward and raise steering wheel to highest position. Failure to do so could cause serious injury or death to personnel.**



## WARNING

**Do not release the seat Swivel Release Lever while operating the machine, inadvertent actuation of implements or steering may occur. Failure to do so may cause serious injury or death to personnel.**



**INTENTIONALLY LEFT BLANK**