

---

**MAINTENANCE and LUBRICATION  
SERVICE INSTRUCTIONS**

# CONTENTS

General . . . . .	1
Safety Precautions . . . . .	1
Preventive Maintenance . . . . .	2
Shift Maintenance . . . . .	3
Scheduled Maintenance . . . . .	3
Scheduled Oil Sampling . . . . .	3
Shift Maintenance Check List . . . . .	5
Lubrication Points . . . . .	6
Lubrication Chart . . . . .	7
Maintenance Check List . . . . .	8
Maintenance Procedures . . . . .	10
Operator Troubleshooting . . . . .	12
Maintenance Specifications . . . . .	15
Component Capacities & Lubricants . . . . .	16
Lubricant Specifications . . . . .	17

# Maintenance and Lubrication

## General

A machine that receives regular care from its operators and mechanics generally rewards them with decreased downtime and greater reliability. With the help of the information in this section, you should be able to maintain your Lumberjack at top operating efficiency. The maintenance and lubrication procedures given here can be performed with a minimum of shop tools.

## Safety Precautions

Before performing any maintenance or lubrication, review the following safety precautions. They're included for your protection.

### 1. Read This Manual

Be sure you understand the procedures outlined in this manual before attempting to carry them out. Pay particular attention to any safety warnings presented. If you have any questions, don't hesitate to ask your WAGNER dealer.

### 2. Perform Maintenance on Level Ground

The machine should be on level ground and clear of traffic lanes whenever possible. The parking brake should be set and the wheels blocked.

### 3. Remove Loads

The machine should be unloaded, with the carriage down.



## WARNING

Never rely on the hydraulic system to support any part of the machine during maintenance or lubrication. If necessary, support

components with appropriate safety stands. **NEVER** stand under a component that is supported only by the hydraulic system. Make sure it is resting on its mechanical stops or safety stands.

### 4. Stop the Engine

Before performing any maintenance or lubrication, remove the key from the switch, or tag the key switch "**DO NOT START**", to ensure that the engine is not inadvertently started.

### 5. Install Swivel Locking Pin

All four-wheel-drive units are equipped with these pins. Always install this pin when working in the area of the swivel hinge. The machine must be on a level surface and the bogie turned right or left for pin insertion.

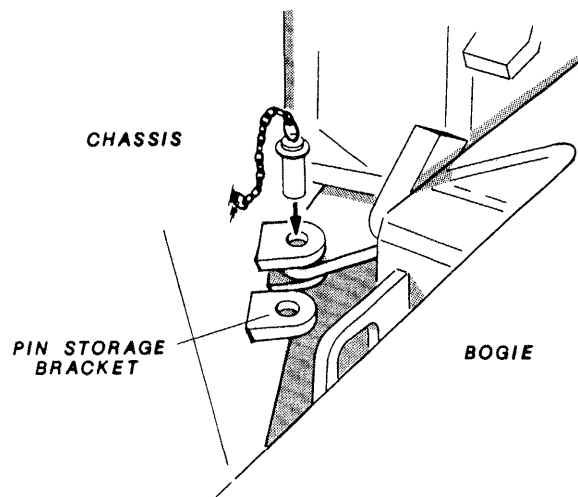


Fig. 1 Swivel Locking Pin

## 6. Use Safe Ladders/Scaffolding

Due to the extreme height of the upper lube points, it is essential to personnel safety that safe ladders, personnel lifts and/or scaffolding be used while servicing. These areas can be dangerously slick under conditions of rain, frost or oil smears.

## Preventive Maintenance

Preventive maintenance is a system that is designed to detect problem areas and prevent equipment failure before trouble can develop to a critical point. The system is based on a series of maintenance checks and servicing points. To be effective, a preventive maintenance program demands strict adherence to a planned schedule of maintenance.

### Benefits of Preventive Maintenance

Time spent making the required periodic checks is a real investment in working equipment and efficient use of man hours. Valuable benefits can be realized, all of which mean savings in time and resources.

## Preventive Maintenance

- **Promotes Safety** - properly maintained equipment is better able to operate within its design specifications and react positively to the operator's control.
- **Improves Equipment Availability** - by minimizing the chances of breakdown.
- **Reduces Unexpected Downtime** - crash repairs are expensive and detract from normal scheduled maintenance.
- **Reduces Equipment Abuse** - provides the ability to predict component life and helps avoid operating equipment to destruction, by replacing parts before they fail.
- **Allows Planning of Daily Production** - by knowing the condition of available equipment.
- **Allows Planning of Maintenance Man Hours** - by distribution of duties and necessary lead time for parts ordering.
- **Provides Complete History of Equipment** - based on performance, frequency and type of repairs and actual man hours expended on maintenance.

## Establishing a Preventive Maintenance Program

The key to an effective preventive maintenance program is diligence in following a maintenance schedule set at regular planned intervals. Such intervals should be made compatible with the nature of operation of the equipment and with the capabilities of the maintenance facility. In any event, the intervals and inspection requirements must be planned, regular, and consistent.

This program proposes the following basic schedule which is based on intervals generally used and accepted in the wood products industry.

Specific maintenance should be completed using the following intervals:

- 10 hours (each shift or daily)
- 50 hours (weekly)
- 200 hours (monthly)
- 500 hours (quarterly)
- 1000 hours (semi-annually)
- 2000 hours (annually)

Each successive schedule (e.g. weekly, monthly, quarterly, etc) builds on the former and is accumulative in nature. For example, when performing monthly maintenance, the mechanic will first take note of the shift maintenance reports and remedy any discrepancy; then comply with the shift and weekly maintenance, and in addition will perform the checks specified in the monthly schedule.

## Maintenance Record Keeping

The importance of good record keeping cannot be over-emphasized. Each scheduled maintenance form should be checked off as the inspections and service is performed. Quantities of replenished lubricants should be recorded, as well as hydraulic pressure readings. All discrepancies should be recorded whether remedied or pending. Operators and mechanics should sign off forms and return them to the maintenance supervisor for approval and retention in an equipment unit file.

Accurately recorded maintenance forms will give the maintenance personnel an overall view of how particular equipment is holding up under normal operating conditions. Good records, and the ease by which they can be reviewed also enable maintenance personnel to identify and evaluate problem areas and allow adjustment in the maintenance scheduling for their particular operation.

## Shift Maintenance

Shift maintenance is where preventive maintenance begins. The operator normally completes this inspection. It consists of the routine servicing and lubrication of the machine's major systems. On a daily basis, the operator is in a position to identify, remedy and/or record potential problem areas and is able to quickly recognize any change in the performance of his machine. The comments he records on the shift maintenance report become a valuable tool to the maintenance department, and is an important ingredient to the overall success of a preventive maintenance program.

### Shift Maintenance Checklist

A recommended checklist is given here as an aid in developing a practical shift maintenance program if one has not been developed by your company. A shift maintenance report, based on this checklist, should be used to report defects found when making maintenance checks at the beginning of each shift.

Your company may have a different reporting method, however, it is usually a requirement that this form be filled out at the end of each shift. Accurate shift maintenance reports can help your company anticipate maintenance problems and take action to prevent costly failures.

### Using the Checklist

The reference numbers in the left-hand column of the checklist indicate the physical location of each check point or lubrication point as it appears on the shift maintenance diagram. Circled reference numbers on the diagram indicate lubrication points. Boxed numbers indicate maintenance check points.

Shift maintenance details are provided in section 5.10, Maintenance Procedures. These procedures consist of checks that can be performed by the operator.

## Scheduled Maintenance

Periodic scheduled maintenance is intended to be performed in a complete maintenance facility by trained mechanics. The timely scheduling and completion of these periodic inspections by the maintenance depart

ment will determine the length of downtime of a particular machine. Therefore, maintenance scheduling becomes a critical factor in the effective use of man hours and the availability of serviceable equipment.

### Scheduled Maintenance Checklist

Actual operating environment governs the maintenance schedule. Some checks should be performed more often under severe conditions, such as heavy dust, extreme temperatures or extremely heavy loads.

These maintenance checklists are designed to be used as a guide until adequate experience is obtained in establishing a schedule to meet your specific needs.

A detailed list of component checks is provided with a suggested schedule basis given in hours of operation, or calendar time. The engine manufacturer's operation and maintenance manual should be consulted for additional engine related checks and/or details.

A maintenance schedule should be established using these checklists as a guide. The result will be a maintenance program to fit your specific operation.

### Using the Checklist

Although specific maintenance is identified in these checklists, location and procedure references are not provided in the columns.

Scheduled maintenance is normally carried out by trained mechanics, who are knowledgeable of the equipment systems and component locations. Scheduled maintenance procedures can be found by referring to the appropriate section of the service manual.

## Scheduled Oil Sampling

Use scheduled oil sampling (SOS) to monitor machine condition and maintenance requirements. Oil samples from engine, transmission, axles, and hydraulic system should be taken when the oil is hot and well mixed to ensure an accurate analysis. Contact your Wagner dealer for complete information and assistance in establishing a scheduled oil sampling analysis program for your equipment.



**Shift Maintenance Checklist**

**EVERY 10 HOURS OR DAILY**

*Note general vehicle condition. Clear away all collected debris - steam clean if necessary. Check for mechanical damage and loose or leaking components. Report faults to maintenance department.*

**Before Starting Engine - Check The Following:**

REF	ITEM	OK	NO	ADD
5	ENGINE (Check oil level - check for leaks)	<input type="checkbox"/>	<input type="checkbox"/>	_____
11	HYDRAULIC TANK (Check oil level - check for leaks)	<input type="checkbox"/>	<input type="checkbox"/>	_____
2	RADIATOR (Check coolant level - check for leaks)	<input type="checkbox"/>	<input type="checkbox"/>	_____
19	AIR CLEANER (Check indicator - clean or change element as required, empty dust cup)	<input type="checkbox"/>	<input type="checkbox"/>	
19	AIR INTAKE SYSTEM (Check for leaks and damage)	<input type="checkbox"/>	<input type="checkbox"/>	
42	ENGINE BELTS (Check for adjustment and wear)	<input type="checkbox"/>	<input type="checkbox"/>	
8	AIR TANKS (Check drain valves for correct operation)	<input type="checkbox"/>	<input type="checkbox"/>	
2	RADIATOR & OIL COOLER (Are fins clean and unobstructed?)	<input type="checkbox"/>	<input type="checkbox"/>	
35 49	WHEELS & TIRES (Check condition and pressure)	<input type="checkbox"/>	<input type="checkbox"/>	_____
15	HYDRAULIC BRAKE FLUID (Check fluid level)	<input type="checkbox"/>	<input type="checkbox"/>	_____
-	LUBRICATE CHASSIS (Refer to lube chart)	<input type="checkbox"/>	<input type="checkbox"/>	

**After Starting Engine - Check The Following:**

4	ENGINE (Does it sound normal?)	<input type="checkbox"/>	<input type="checkbox"/>	
20	INSTRUMENTS (Check for normal readings)	<input type="checkbox"/>	<input type="checkbox"/>	
20	CONTROLS (Check for normal operation)	<input type="checkbox"/>	<input type="checkbox"/>	
18	EXHAUST SYSTEM (Check for leaks and excessive smoke)	<input type="checkbox"/>	<input type="checkbox"/>	
24	TRANSMISSION (Check oil level - check for leaks)	<input type="checkbox"/>	<input type="checkbox"/>	_____

**Note Anything Abnormal Or In Need Of Repair:**

LIGHTS _____	DEFROSTER _____	REVERSE WARNING HORN _____
HORN _____	WINDSHIELD WIPERS _____	_____
HEATER _____	AIR CONDITIONER _____	_____

OPERATOR _____	SUPERVISOR _____	DATE _____
MODEL _____	SERIAL NUMBER _____	HOUR METER _____

## Lubrication Points

### 10 HOURS

REF		FITTINGS
①	Steering cylinder pins	4
②②	Boom to chassis pin	2
⑤①	Boom to carriage pin *	3
②⑤ & ⑤①	Hoist cylinder pins *	4
②① & ⑤②	Tilt cylinder pins	4
③②	Holddown arm pins	2
③②	Kickoff arm pins	2
②⑧ & ③③	Holddown cylinder pins	4
②⑦ & ②⑥	Kickoff cylinder pins	4
③①	Auxiliary holddown arm pins	2
③① & ③④	Auxiliary holddown cylinder pins	4
	* When operating in water, lubricate submerged points more frequently	

### 50 HOURS

①③	Driveline - converter to transmission * *	3
①④	Driveline - transmission to front axle * *	3
①⑥	Rear Axle Bearings	2
	* * Use handgun or low pressure adapter; lubricate sparingly	

### 200 HOURS

④①	Fan drive bearing (not all engines)	1
----	-------------------------------------	---

### 500 HOURS

①⑦	Tailpost Bearing	2
①⑦	Tailpost	1



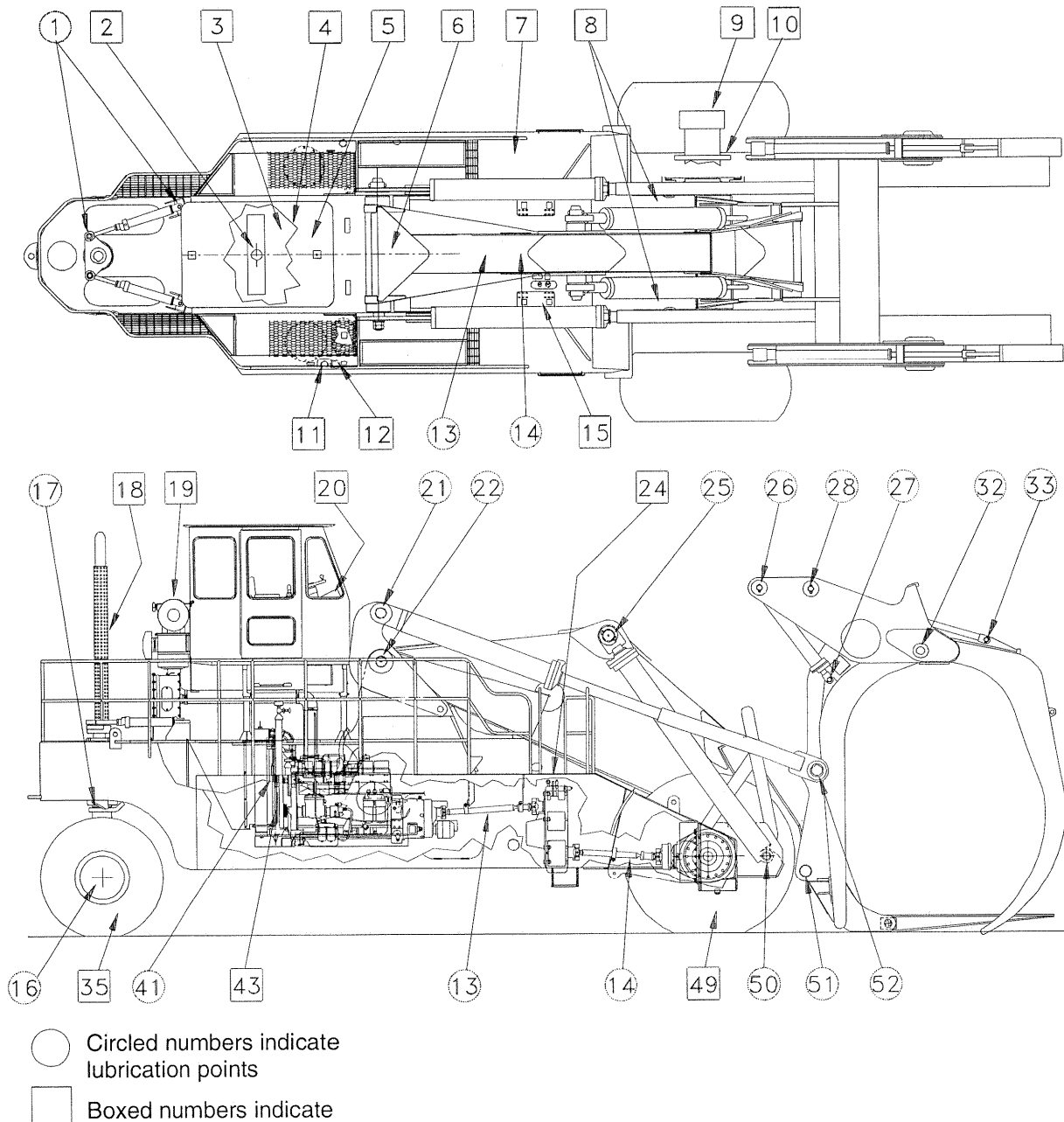


Fig. 2 L90C Maintenance and Lubrication Chart

**NOTE:** Due to variations in engine types and models, the indicated location of engine filters (fuel, oil, coolant) may not be exact. Consult your specific engine service manual for exact locations.

**! WARNING**

**Pressurized Axle (Optional)**  
 Front axle housing is under 3 psi air pressure. Before checking axle oil level, first shut off air supply to axle, then open air drain cock located on axle housing bulkhead.



**WARNING**

Due to the extreme height of the upper lube points, it is essential to personnel safety that safe ladders and/or scaffolding be used while servicing. These areas can be dangerously slick under conditions of rain, frost, or oil smears.

**Maintenance Checklist****EVERY 50<sup>th</sup> HOURS OR WEEKLY**

- |   |            |              |
|---|------------|--------------|
| 1. Repeat the 10 hour check   | OK _____   | NO _____     |
| 2. Check for fluid leaks - oil, fuel, water   | OK _____   | REPAIR _____ |
| 3. Check brakes for adjustment and wear   | OK _____   | REPAIR _____ |
| 4. Check wheel lug nuts and studs mechanically  | OK _____   | REPAIR _____ |
| 5. Check battery electrolyte level  | OK _____   | ADD _____    |
| 6. Lubricate chassis - refer to Lubrication chart (page 5-7)  | OK _____   | NO _____     |
| 7. Record engine rpm  | HIGH _____ | STALL _____  |
| 8. Check for structural damage - inspect chassis & attachments for bending, cracking & broken welds | OK _____   | REPAIR _____ |

**EVERY 200 HOURS OR MONTHLY**

- |   |          |               |
|---|----------|---------------|
| 1. Repeat the 50 hour check                 | OK _____ | NO _____      |
| 2. Change engine oil & filters *            | OK _____ | ADDED _____   |
| 3. Take engine oil sample for analysis *    | OK _____ | NO _____      |
| 4. Check axle differential oil level        | OK _____ | ADDED _____   |
| 5. Check axle planetary oil level           | OK _____ | ADDED _____   |
| 6. Change cooling system filter             | OK _____ | REPLACE _____ |
| 7. Check all hydraulic pressures and record | OK _____ | NO _____      |
| 8. Check fire suppression actuator          | OK _____ | NO _____      |

**EVERY 500 HOURS OR QUARTERLY**

- |  |          |               |
|--|----------|---------------|
| 1. Repeat the 250 hour check   | OK _____ | NO _____      |
| 2. Service fuel filters *  | OK _____ | REPLACE _____ |
| 3. Service hydraulic filters *   | OK _____ | REPLACE _____ |
| 4. Service transmission filters *  | OK _____ | REPLACE _____ |
| 5. Take oil samples from transmission, axle, and hydraulic system for analysis * | OK _____ | NO _____      |
| 6. Inspect brake system & components   | OK _____ | REPAIR _____  |

**Maintenance Checklist (Continued)**

**1000 HOURS OR SEMI-ANNUALLY**

- 1. Repeat the 500 hour check OK \_\_\_\_\_ NO \_\_\_\_\_
- 2. Change transmission oil and filters OK \_\_\_\_\_ ADDED \_\_\_\_\_
- 3. Clean and flush cooling system OK \_\_\_\_\_ ADDED \_\_\_\_\_
- 4. Check pins and bushings for wear OK \_\_\_\_\_ REPLACE \_\_\_\_\_

**2000 HOURS OR ANNUALLY**

- 1. Repeat the 1000 hour check OK \_\_\_\_\_ NO \_\_\_\_\_
- 2. Drain, flush and fill differential \* OK \_\_\_\_\_ ADDED \_\_\_\_\_
- 3. Drain, flush & fill planetaries \* OK \_\_\_\_\_ ADDED \_\_\_\_\_
- 4. Change hydraulic oil and filters \* OK \_\_\_\_\_ ADDED \_\_\_\_\_

\* Normal drain period and filter change intervals are for average environmental and duty-cycle conditions. Severe or sustained high operating temperatures or very dusty atmospheric conditions will cause accelerated deterioration and contamination. Change intervals should be adjusted according to the results of oil sampling analysis. Consult your WAGNER dealer for assistance in establishing an oil sampling program for your equipment.

---

**IMPORTANT:** Consult the engine manufacturer's Operation and Maintenance Manual for additional engine related checks and/or details.

---

**Repairs:**

Problem: \_\_\_\_\_  
 \_\_\_\_\_  
 \_\_\_\_\_

Parts: \_\_\_\_\_  
 \_\_\_\_\_  
 \_\_\_\_\_

Mechanic: \_\_\_\_\_ Hours Labor: \_\_\_\_\_

Operator: \_\_\_\_\_ Supervisor: \_\_\_\_\_

Machine Model: \_\_\_\_\_ Equipment No: \_\_\_\_\_

Date: \_\_\_\_\_ Shift: \_\_\_\_\_ Hour Meter: \_\_\_\_\_

## Maintenance Procedures

### General

The following maintenance procedures should be performed at the beginning of each work shift. The number before each maintenance procedure corresponds with the numbers given in the Maintenance and Lubrication Chart (Fig. 2). This provides an additional aid in locating each check point.

### Before starting engine

#### 5 Engine Oil Level

The oil level should be checked prior to starting the engine. Make sure that the area around the dipstick is clean and the machine is sitting on level ground.

**NOTE:** A 15 minute drain-back time is recommended if the engine has been running.

The oil level must be maintained between the "L" (low) mark and the "H" (high) mark, but as close to the "H" mark as possible.

**CAUTION:** Never operate the engine with the oil level below the "L" mark or above the "H" mark. Refer to the engine's Operation and Maintenance manual for detailed engine service information.

Use only approved engine oil (see Lubricant Specifications Chart, page 17). Do not over-fill. Check engine for leaks.

#### 11 Hydraulic Oil Level

Always check the hydraulic oil level prior to operation. The dipstick and fill pipe are located on the RH chassis deck, to the right of the operator's cab.

**CAUTION:** Always open the tank breather petcock (located on the breather pipe) before removing the dipstick, filler cap, or in-tank filter cover plate. Failure to vent the tank can result in injury or a substantial oil spill. Be sure to close the petcock before operating the machine.

The oil level should be checked with the hoist cylinders retracted (down). The oil level should be at or near the "H" (high) mark on the dipstick. Fill with approved hydraulic fluid as required (see Lubricant Specifications Chart, page 17). Do not overfill.

#### 2 Engine Coolant Level

Daily inspection of the coolant level is recommended. Cooling systems using anti-aeration baffles restrict visual observation of the true coolant level. Although the coolant can be seen, the system may not be full. To gain a true fill, add water slowly up to the bottom of the fill neck and allow a 30 second settling period. Remember to compensate for the loss of anti-freeze when adding water



### WARNING

**Never remove the radiator cap if the engine is hot. The coolant will be under pressure and could flash to steam with explosive force, causing severe burns. Remove the radiator cap only when the engine is cool.**

**NOTE:** If the engine is hot, the coolant level will be higher than when it is cold.

Inspect the radiator daily for restriction caused by leaves, paper or bent fins. Inspect the radiator cap, hoses, and connectors for any signs of leakage or damage.

#### 19 Air Cleaner

The air cleaner is a cyclonic-type, dry air filter. A service indicator shows the condition of the filter. The indicator will show in the green zone when the filter is clean. The indicator will show red when the filter is restricted. If red appears in the indicator window, clean or change the element and press the reset button on the indicator.

The air cleaner is also equipped with a pre-cleaner dust cup. It should be emptied daily. Never allow the dust level to come within 1/2 inch of the pre-cleaner tubes. Be sure that the dust cup seals are in place and in good condition. Complete sealing here is essential.

#### 43 Engine Belts

Check the tension of the drive belts by pressing with the thumb halfway between the pulleys. The belts should not deflect more than the values shown in the table (Fig. 3). If any belt is loose or worn, report to maintenance for corrective action.

Engine	Belt Deflection Inches (mm)
Cummins	3/8 to 5/8 (9.5 to 15.9)
Cat	
Detroit	1/2 to 3/4 (13 to 19)

Fig. 3 Engine Belt Deflection

**8 Air Tank Drain Valves**

Visually inspect the valves and connections for damage or leaks. There should be signs of water being ejected from the drain hoses. If not, report the condition to maintenance.

**35 49 Wheels and Tires**

Visually inspect the tires for low air pressure and damage. Also check the wheel assemblies for cracks, loose or missing lug nuts, broken studs, etc. Report any problems to maintenance.

**15 Hydraulic Brake Fluid**

Check the fluid level in each of the two brake reservoirs. Each reservoir must be full. Clean the area around the filler cap before removing. **Fill the reservoirs with transmission fluid. Do not use automotive brake fluid.**

**After starting engine:****3 Engine**

After starting, check that the engine runs and sounds normal. It should come up to operating temperature within a few minutes after starting. If you notice unusual noises or excessive smoke, have maintenance check it out.

**20 Instruments**

Check all instruments for normal readings immediately after starting the engine. Make sure that pressures and temperatures are within acceptable limits. Also, check that all controls function properly. They should be smooth and responsive.

**19 Air Intake System**

Inspect all connections for damage and air leaks. Look for damaged fittings and loose connections. Do not operate the machine if leaks are present. Dirt could enter the engine intake and cause severe damage.

**18 Exhaust System**

Check for exhaust leaks. Make sure that exhaust gases are not entering the operator's cab. Mounting brackets must be in place and all connections tight. Check for excessive smoke.

**24 Transmission Oil Level**

The level should be checked after engine warm-up, with 180° to 200° showing on the transmission temperature gauge. The dipstick and fill tubes are located on the chassis deck, directly above the transmission. Check the level with the engine running at idle, at operating temperature, and with the transmission in neutral. The level should be between the "H" (high) and "L" (low) marks. Fill with approved fluid only. See Lubricant Specifications Chart, Page 17. Do not overfill. Inspect for leaks.

## Operator Troubleshooting

The following table lists the most common problems that may be encountered by operators. If the problem cannot

be solved using the corrective actions listed in this table, notify maintenance personnel.

### Engine \*

SYMPTOM	PROBABLE CAUSE	CORRECTIVE ACTION
Engine turns over but fails to start	Emergency shutdown control pulled out.	Push control in.
	Fuel tank empty	Fill tank
	Fuel shutoff valve at tank closed	Open valve
	Fuel filter blocked	Replace filter
Engine fails to turn over	Battery disconnect switches open	Close switches
	Transmission not in neutral	Place lever in neutral
	Battery low	Have charging system checked
	Battery terminals corroded or loose	Clean and tighten terminals
Engine runs unsteadily and power output low	Insufficient fuel supply	Clean fuel strainers, replace filter, fill tank, tighten fuel lines
	Contaminated fuel	Drain tank, lines, clean strainers, and replace fuel
	Wrong fuel	Drain tank and fill with proper fuel
	Air intake restricted	Remove restriction
Exhaust smokes badly	Too much oil in sump	Drain to proper level
	Air intake restricted	Remove restriction
Engine overheats	Radiator fins restricted	Clean fins
	Low coolant level	Check coolant level
Engine oil pressure low	Low oil level	Check oil level
	Oil leaks	Tighten connections
	Contaminated oil	Change oil and filters

\* Also see manufacturer's Operation and Maintenance Manual for additional information

**Transmission/Converter \***

SYMPTOM	PROBABLE CAUSE	CORRECTIVE ACTION
Transmission or converter overheats	Low oil level	Fill to proper level
	Oil cooler restricted	Remove restriction
Lack of power	Low engine rpm at converter stall	Have engine checked (governor)

**Air & Brake Systems**

SYMPTOM	PROBABLE CAUSE	CORRECTIVE ACTION
Brakes won't release	Low air system pressure	Allow system pressure to build to 120 psi
Loss of braking efficiency	Air in hydraulic brake system	Check fluid level Bleed system
	Low air system pressure	Have maintenance check air system

**Hydraulic System**

SYMPTOM	PROBABLE CAUSE	CORRECTIVE ACTION
No response to controls	Closed tank shutoff valve	Open valve
	Low oil level	Fill tank to proper level
Sluggish operation or response to controls	Hydraulic oil cold	Allow adequate warm-up time
	Low oil level	Fill tank to proper level
	Suction leak	Correct suction leak
	Plugged tank breather	Replace breather
	Restriction in circuit	Remove restriction, check filters
	Pump speed too slow	Check engine speed
Excessive noise	Cavitation	Eliminate restriction in suction line Replace tank breather
	Aeration	Fill tank to proper level Correct suction leak
	Tubing vibrating	Tighten mounting clamps
Hydraulic system overheating	Low oil level	Fill tank to proper level
	Operating over pressure reliefs	Correct operating procedure

\* Also see manufacturer's Operation and Maintenance Manual for additional information

**Electrical System**

SYMPTOM	PROBABLE CAUSE	CORRECTIVE ACTION
Engine fails to turn over	Battery disconnect switch(es) open	Close switches
	Neutral start switch open	Place transmission shift lever in neutral
	Battery low	Have start/charge system tested
	Battery terminals corroded or loose	Clean and tighten terminals
	Other connections loose	Tighten connections
Voltmeter indicates discharge	Alternator drive belt slipping	Tighten or replace belt
	Loose or corroded battery connections	Clean and tighten terminals



## Maintenance Specifications

### Hydraulic Pressure Relief Settings

**NOTE:** Hydraulic pressures should be set at 1500 rpm and double checked at maximum rpm. Override should not be over 50-100 psi on control valves. Check or set pressures in sequence shown and only when hydraulic oil is hot (above 120°F). Calibrate your gauge periodically.

Component	Main	Circuit
(1) Steering Valve . . . . .	2500 psi (17,237 kPa)	*3500 psi (24,132 kPa)
(2) Holddown & Kickoff Valve, LH . . . . .	2200 psi (15,169 kPa)	2400 psi (16,548 kPa)
(3) Holddown & Kickoff Valve, RH . . . . .	2200 psi (15,169 kPa)	2400 psi (16,548 kPa)
(4) Kickoff Stem . . . . .	N/A	950 - 1200 psi (6,550 kPa - 8,274 kPa)
(5) Hoist and Tilt . . . . .	2100 psi (14,479 kPa)	2300 psi (15,858 kPa)
(6) Tilt Base . . . . .	N/A	900 psi (6,205 kPa) (Set @ 1000 RPM)
(7) Tilt Stem . . . . .	N/A	2300 psi (15,858 kPa)
(8) Auxiliary Holddown (Option) . . . . .	N/A	2400 psi (16,548 kPa)
(9) Reach (Optional) . . . . .	N/A	2400 psi (16,548 kPa)

**NOTE:** \* CIRCUIT RELIEF IS NOT ADJUSTABLE.

### Wheel Lug Nut Torque

Front . . . . .	500 lb/ft (407 N • m)
Rear . . . . .	500 lb/ft (678 N • m)

### Tire Inflation Pressure

Front (Driver) 33.5 x 33 - 44PR . . . . .	90-95 psi (620 - 655 kPa)
Rear (Tail) 23.5 x 25 - 20PR . . . . .	60-65 psi (414 - 448 kPa)

**NOTE:** The specifications shown in this manual are based on information available at the time of publication and are subject to change without notice or obligation.

---

**Component Capacities & Lubricants**

---

Component or System	Refill Capacity (Approx.)		Lubricant Type *
	U.S. Gallons	Liters	
Engine crankcase (includes filters)	11	42	Engine oil
Fuel tank	450	1703	Diesel fuel
Cooling system	22.5	85	Water/antifreeze * *
Hydraulic system	334	1264	Hydraulic oil
Transmission system	22	83	Transmission oil
Differential, front	50	189	Gear lube
Differential, rear	16	61	Gear lube
Planetary hubs (each), front	3.5	13	Gear lube
Planetary hubs (each), rear	2.5	9.5	Gear lube
Brake resevoirs	As required		Transmission oil
Chassis grease fittings	As required		Chassis grease

\* See Lubricant Specifications, Page 17

\* \* Some engines require additional coolant treatment. See engine Operation and Maintenance Manual for specific information

**NOTE:** The specifications shown in this manual are based on information available at the time of publication and are subject to change without notice or obligation.

**Lubricant Specifications**

	MANUFACTURER & SPECIFICATIONS	RECOMMENDED VISCOSITY	PREVAILING AMBIENT TEMPERATURES	
			(FAHRENHEIT)	(CELSIUS)
ENGINE	<b>CUMMINS</b> MIL-L-2104D (API CE)	SAE 10W-30 SAE 15W-40 SAE 20W-40	-13 ° F to 95 ° F 14 ° F and Above (Normal) 32 ° F and Above	-25 ° C to 35 ° C -10 ° C and Above (Normal) 0 ° C and Above
	<b>DETROIT DIESEL</b> MIL-L-46152 (API CD II)	SAE 30 SAE 40	Below 32° F Above 32° F	Below 0° C Above 0° C
	<b>NOTE:</b> Multi-Grade oils are not recommended in Detroit Diesel Engines			
TRANSMISSION	<b>CATERPILLAR</b> MIL-L-2104D (API CE)	SAE 5W-20 SAE 10W-30 SAE 15W-40	-13°F to 50° F -4°F to 104° F 5°F to 122° F(Normal)	-25°C to 10° C -20°C to 40° C -15°C to 50° C (Normal)
	<b>CLARK</b> MIL-L-2104D (API SE) TYPE C-3	MIL-L-46167 SAE 10W SAE 30	-65 ° F to 0 ° F -10 ° F to 140 ° F (Normal) 30 ° F to 140 ° F	-54 ° C to -18 ° C -23 ° C to 60 ° C (Normal) - 1 ° C to 60 ° C
	<b>ALLISON</b> MIL-L-2104D (API SE) TYPE C-3	SAE 5W-20 SAE 10W SAE 15W-40 SAE 30	Below -10° F Below 10° F(Normal) Below 30° F Below 35° F	Below -23° C Below -12° C (Normal) Below - 1° C Below 2° C
<b>NOTE:</b> Preheat transmission fluid to indicated minimum temperature before operating transmission...or if preheating equipment is not available, operate transmission in NEUTRAL for minimum of 20 minutes prior to engaging FORWARD or REVERSE ranges				
AXLE	<b>TWIN-DISC</b> MIL-L-2104D (API SE) TYPE C-3	SAE 5W-20 SAE 10W SAE 30	-60° F to 0° F -10° F to 140° F(Normal) 30° F to 140° F	-51° C to -18° C -23° C to 60° C -1° C to 60° C
	<b>CLARK</b> MIL-L-2105C (API GL-5)	SAE 75W SAE 75W-80 SAE 80W-90 SAE 85W-140	-40 ° F to -10 ° F -40 ° F to -0 ° F -13 ° F to 100 ° F (Normal) Above 10 ° F	-40 ° C to -23 ° C -40 ° C to -18 ° C -27 ° C to 37 ° C (Normal) Above -12 ° C
	<b>RIMPULL/BRYAN</b> MIL-L-2105C (API GL-5)	SAE 75W-90 SAE 80W-90 SAE 120	-65° F to 20° F -20° F and Above(Normal) -90° F to 120° F	-54° C to -29° C -29° C and Above(Normal) -32° C to 49° C
HYDRAULIC	<b>WAGNER</b> Premium Grade Anti-wear Hydraulic Oil (Mobil DTE 13M)	<b>NOTE:</b> Mobil DTE 13M is recommended for use in Allied Wager hydraulic systems operating at very low to widely varying ambient temperatures. It provides a high viscosity index with a low pour point and improved fluidity at sub-zero temperatures. <b>IMPORTANT:</b> As a condition of new machine warranty, Mobil DTE 13M must be used in hydraulic system during warranty period.		
CHASSIS	<b>WAGNER</b> Multipurpose Chassis Grease w/EP & MoS <sub>2</sub>	NLGI-1 NLGI-2	Below 10 ° F Above 10 ° F	Below -12 ° C Above -12 ° C

