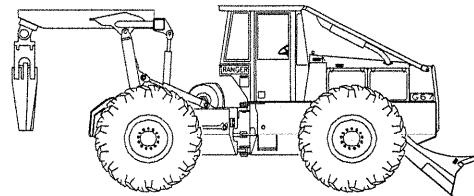


RANGER

G 67

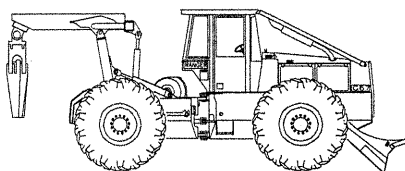
Log Skidder Parts Manual



Record Your Unit
Serial Number Here

Allied Systems
COMPANY

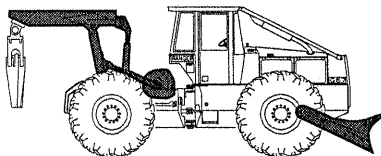
General Information



- 0 - 1 Introduction
- 0 - 2 How to use the Parts Manual
- 0 - 3 Decals
- 0 - 4 Tools
- 0 - 5 Filters & Belts
- 0 - 6 Alphabetical Index
- 0 - 7 Numerical Index

0

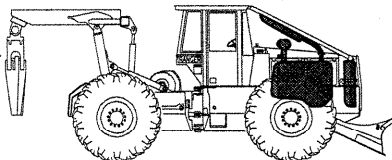
Attachments



- 1 - 1 Arch
- 1 - 2 Blade
- 1 - 3 Boom
- 1 - 4 Grapple
- 1 - 5 Winch
- 1 - 6 Miscellaneous

1

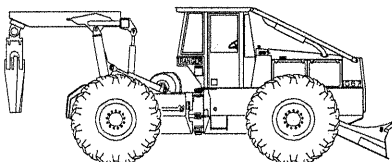
Power Unit



- 2 - 1 Engine
- 2 - 2 Controls
- 2 - 3 Lubrication
- 2 - 4 Fuel
- 2 - 5 Air Intake & Exhaust
- 2 - 6 Cooling
- 2 - 7 Miscellaneous

2

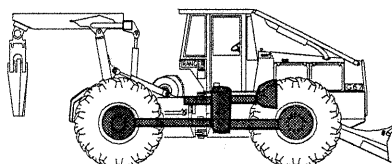
Electrical System



- 3 - 1 Systems and Circuits
- 3 - 2 Components
- 3 - 3 Miscellaneous

3

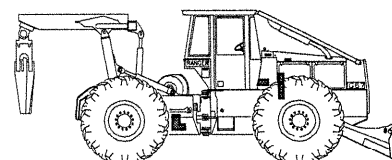
Drive Train



- 4 - 1 Transmission and Converter
- 4 - 2 Drivelines
- 4 - 3 Axles
- 4 - 4 Wheels and Tires
- 4 - 5 Miscellaneous

4

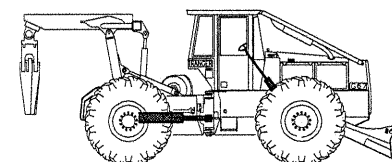
Brake System



- 5 - 1 Systems
- 5 - 2 Components
- 5 - 3 Miscellaneous

5

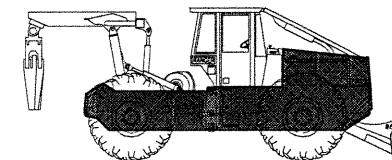
Steering System



- 6 - 1 Systems
- 6 - 2 Components
- 6 - 3 Miscellaneous

6

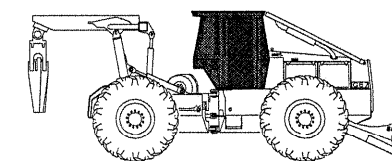
Frame



- 7 - 1 Frame
- 7 - 2 Miscellaneous

7

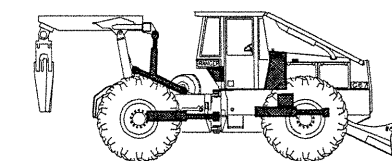
Cab



- 8 - 1 Basic Structure
- 8 - 2 Instruments & Controls
- 8 - 3 Miscellaneous

8

Hydraulic System



- 9 - 1 Systems & Circuits
- 9 - 2 Pumps
- 9 - 3 Valves
- 9 - 4 Cylinders
- 9 - 5 Filters
- 9 - 6 Miscellaneous

9

Section 0

General Information

| Page No | Description |
|--------------|------------------------------------|
| 0 - 1 | Introduction |
| 0 - 2 | How to use the Parts Manual |
| 0 - 3 | Decals |
| 0 - 3.1 | Parallelogram Decal Installation |
| 0 - 3.2 | Hi Vis Decal Installation |
| 0 - 4 | Tools |
| 0 - 4.1 | Tools |
| 0 - 5 | Filters & Belts |
| 0 - 5.1 | Quick Reference Filters and Belts |
| 0 - 6 | Alphabetical Index |
| 0 - 6.1 | Alphabetical Index |
| 0 - 7 | Numerical Index |
| 0 - 7.1 | Numerical Index |

Intentionally blank

Introduction

The G67 Parts Manual is designed to assist you in maintaining your Ranger Skidder. This Manual is updated from information available at the time of printing. However, due to the constant improvements in product design, certain changes made after printing may not be included in this publication. This Manual should be used with all related supplemental Publications. Related Service Bulletins should be reviewed to provide information regarding some recent changes.

Intentionally blank

How to use the Parts Manual

This Manual contains illustrated parts lists with descriptions. Illustrations shown are only typical examples of the appearance of parts arrangements. Illustrations are provided to locate and identify parts **only** and should not be used as a guide for assembly.

The Ranger Parts Manuals are broken into 10 separate Function Groups. Information for certain functions are grouped into the same Function Group, following in the same pattern as the Service Manuals. Index tabs separate each main group and contain a list of Major Components that will assist in referencing information.

Indexes

The Parts Manual contains an Alphabetical Index and a Numerical Index for use as a guide to locate group numbers.

List of Major Components

Each Section contains a list all major components of that section. This table includes all assemblies and subassemblies represented by separate illustrated parts lists.

Subassemblies and Components

The parts list consists of a breakdown of the complete unit into subassemblies and detail parts. All components that can be separately identified are listed.

Page Number

All Parts Lists are numbered by Function Group, Sub Group, then Page Number. Example, Page 2-5.3 would be Group 2, Power Unit, Sub Group 5, Air Intake, page 3

Page Date

All Part List revisions are tracked by date located on bottom of page.

Parts List Format

Component parts lists are presented in 5-column format. All assemblies and subassemblies have been assigned their own parts lists.

Item

In this column, index numbers are assigned in numerical sequence. Index numbers relate directly to numbers displayed on the respective parts breakdown illustration.

Notes

This column indicates footnotes as applicable to specific items. (See Symbols)

Part Number

This column lists the Allied Systems Company Part Number.

Some items are closely mated at manufacture, and therefore must be ordered as a set. This would include items such as valve housings and spools, ring gears and pinions, etc. When such a situation exists, it is indicated by NSS (not sold separately) in the part number column.

Qty

This column lists the total number of each part required per assembly or subassembly.

Description

This column lists the item nomenclature along with those modifiers necessary to identify the item.

One dot preceding the description indicates that the item is a component part of the previously listed item or assembly with no dot. Two dots indicates that the item is part of the previously listed item with one dot.

Example:

Condenser
 . Bracket
 . . Adjusting Arm
 . . Adapter
 . . . Capscrew

The Bracket Assembly is a first level subassembly of the Condenser. This is indicated with one dot. The Adjusting Arm and Adapter Assembly are second level subassemblies of the Bracket Assembly. This is indicated with two dots. The Capscrew is a third level component of the Adapter Assembly. This is indicated with three dots.

Symbols

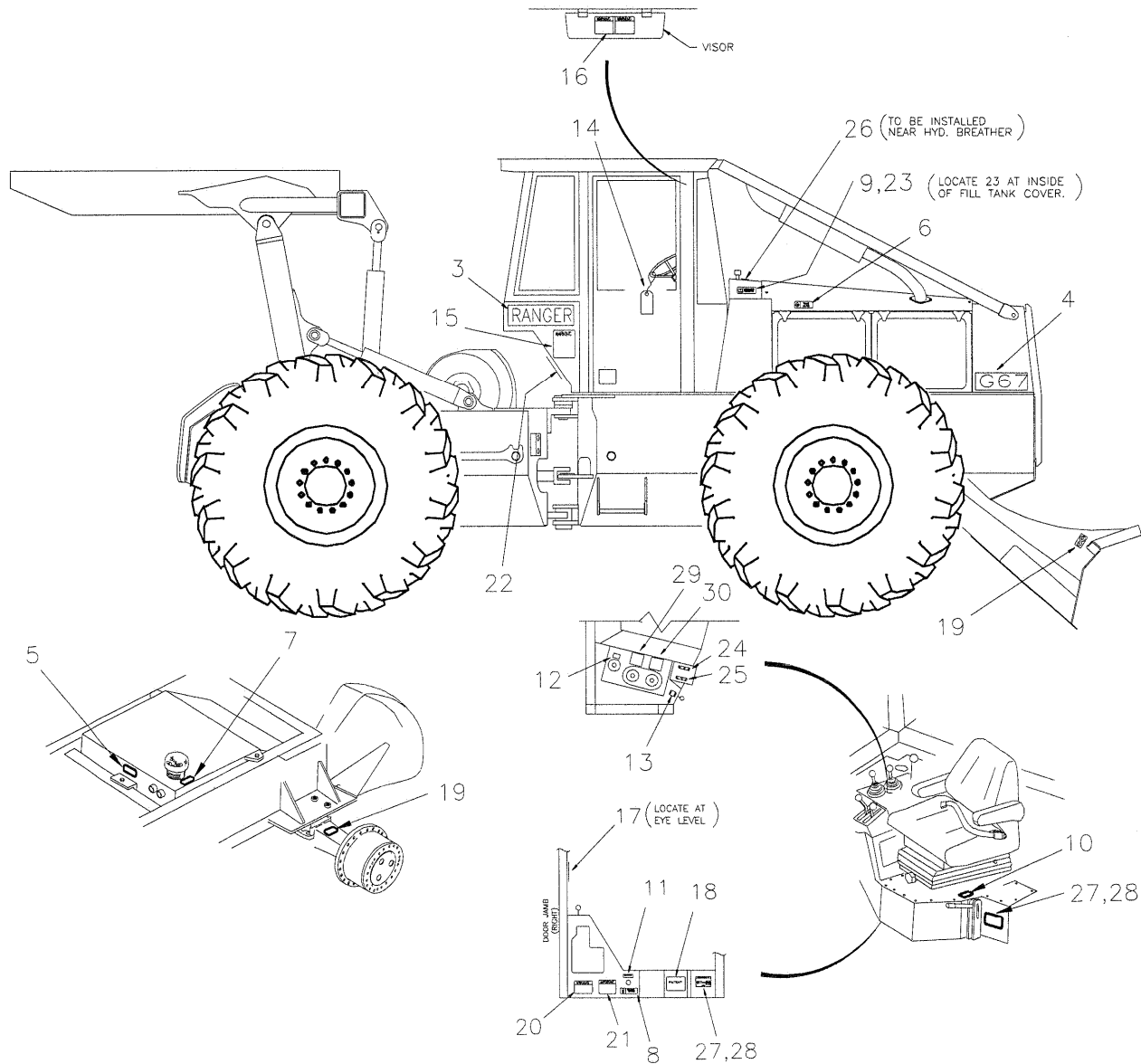
Symbols are used in Parts Lists to further describe or lead you to another Parts List.

| | |
|-------|---|
| NSS | Not Sold Separately |
| A\R | Indicates As Required where the items length or dimension must be specified when ordering. |
| *a | Footnote. The Part may be in a Kit or have a specific description requiring a footnote. |
| * | See Separate Parts List (with page No.) Further Parts breakdown is on another Parts List, listed in brackets following number |
| Ref | Indicates that the item is listed elsewhere in another Parts List. It is shown here only for reference. |
| ----- | Item is Referenced or Part of a Kit. |

Serial Number

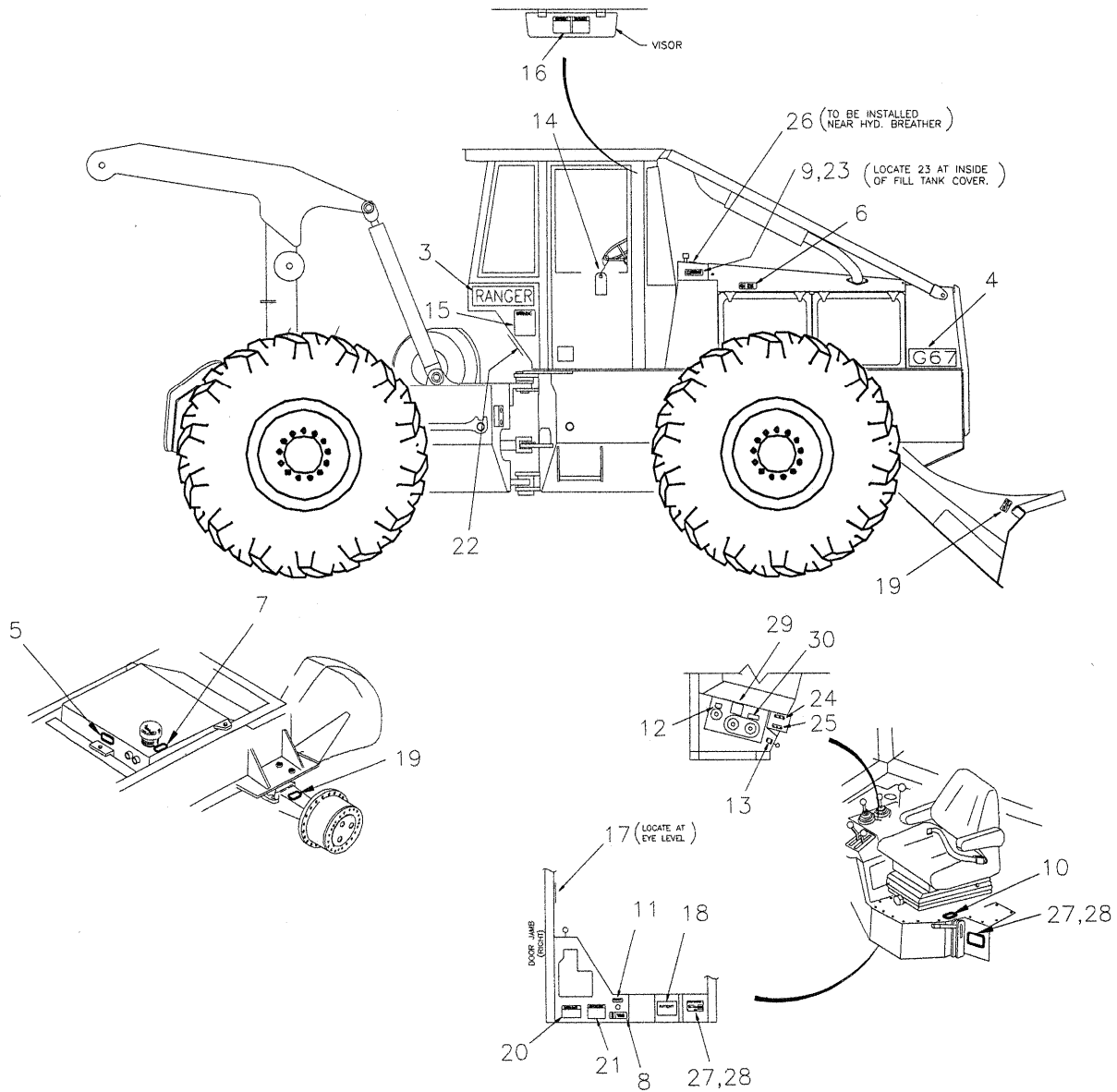
When ordering Parts be sure to have the Model, Serial Number and any special features, options or accessories of your Ranger Skidder.

Intentionally blank



Parallelogram Decal Installation

| Item | Part No | Qty | Description | Item | Part No | Qty | Description |
|------|---------------|-----|---|------|-----------|-----|---------------|
| | R11300 | | Parallelogram Decal Installation | | | | |
| 2 | R10760 | 1 | . Decal Kit | 17 | R2534199 | 1 | .. Decal |
| 3 | R10685 | 2 | .. Decal | 18 | R2534215 | 1 | .. Decal |
| 4 | R10686 | 2 | .. Decal | 19 | R2536249 | 4 | .. Decal |
| 5 | R10748 | 1 | .. Decal | 20 | R2557201 | 1 | .. Decal |
| 6 | R10749 | 1 | .. Decal | 21 | R1932775 | 1 | .. Decal |
| 7 | R10750 | 1 | .. Decal | 22 | R1933439 | 1 | .. Decal |
| 8 | R10751 | 1 | .. Decal | 23 | R11171 | 1 | .. Decal |
| 9 | R10752 | 1 | .. Decal | 24 | R10756 | 1 | .. Decal |
| 10 | R10753 | 1 | .. Decal | 25 | R10757 | 1 | .. Decal |
| 11 | R10754 | 1 | .. Decal | 26 | R11778 | 1 | .. Decal |
| 12 | R10755 | 1 | .. Decal | 27 | R12581162 | 1 | . Plate |
| 13 | R10758 | 1 | .. Decal | 28 | R13800986 | 4 | . Drive Screw |
| 14 | R1513887 | 1 | .. Tag | 29 | R680273 | 1 | . Decal |
| 15 | R1936078 | 2 | .. Decal | 30 | R680275 | 1 | . Decal |
| 16 | R1936079 | 1 | .. Decal | | | | |



Hi Vis Decal Installation

| Item | Part No | Qty | Description | Item | Part No | Qty | Description |
|------|---------------|-----|----------------------------------|------|-----------|-----|----------------|
| | R11306 | | Hi Vis Decal Installation | | | | |
| 2 | R10760 | 1 | .. Decal Kit | 17 | R2534199 | 1 | .. Decal |
| 3 | R10685 | 2 | .. Decal | 18 | R2534215 | 1 | .. Decal |
| 4 | R10686 | 2 | .. Decal | 19 | R2536249 | 4 | .. Decal |
| 5 | R10748 | 1 | .. Decal | 20 | R2557201 | 1 | .. Decal |
| 6 | R10749 | 1 | .. Decal | 21 | R1932775 | 1 | .. Decal |
| 7 | R10750 | 1 | .. Decal | 22 | R1933439 | 1 | .. Decal |
| 8 | R10751 | 1 | .. Decal | 23 | R11171 | 1 | .. Decal |
| 9 | R10752 | 1 | .. Decal | 24 | R10756 | 1 | .. Decal |
| 10 | R10753 | 1 | .. Decal | 25 | R10757 | 1 | .. Decal |
| 11 | R10754 | 1 | .. Decal | 26 | R11778 | 1 | .. Decal |
| 12 | R10755 | 1 | .. Decal | 27 | R12581162 | 1 | .. Plate |
| 13 | R10758 | 1 | .. Decal | 28 | R13800986 | 4 | .. Drive Screw |
| 14 | R1513887 | 1 | .. Tag | 29 | R680274 | 1 | .. Decal |
| 15 | R1936078 | 2 | .. Decal | 30 | R680275 | 1 | .. Decal |
| 16 | R1936079 | 1 | .. Decal | | | | |

Not Illustrated

Tools

| Item | Part No | Qty | Description |
|------|----------|-----|---------------|
| | | | Tools |
| 1 | R552163 | | Wheel Wrench |
| 2 | R552164 | | Wrench Handle |
| 3 | R1900641 | | Cable Cutter |

| Item | Part No | Qty | Description |
|------|---------|-----|-------------|
|------|---------|-----|-------------|

Intentionally blank

QUICK REFERENCE FILTERS AND BELTS

Machine Model

G67

FILTERS

FUEL SYSTEM

| | | |
|----------------------------|----------|-----|
| Filter Element (Primary) | R1992366 | (1) |
| Filter Element (Secondary) | R1992367 | (1) |
| Fuel Strainer | R1992594 | (1) |

ENGINE OIL

| | | |
|--------------------------|-----------|-----|
| Filter Element (Primary) | R12968480 | (2) |
|--------------------------|-----------|-----|

AIR CLEANER

| | | |
|--------------------------|-----------|-----|
| Filter Element (Primary) | R12607137 | (1) |
| Filter Element (Safety) | R12607138 | (1) |

CAB AIR FILTER

| | | |
|----------------|--------|-----|
| Filter Element | R13018 | (1) |
|----------------|--------|-----|

TRANSMISSION

| | | |
|----------------|----------|-----|
| Filter Element | R1992156 | (1) |
|----------------|----------|-----|

HYDRAULIC SYSTEM

| | | |
|--|-----------|-----|
| Suction Filter (In Tank) | R1916053 | (1) |
| Return Filter - Last used on Unit S/N 268 | R12968390 | (1) |
| Return Filter - First used on Unit S/N 269 | R11689 | (1) |
| Hi Pressure Filter | R11775 | (1) |

BELTS

| | | |
|----------------|-----------|-----|
| Fan/Alternator | R12968481 | (1) |
| A/C Compressor | R10776 | (1) |

Intentionally blank

Alphabetical Index

| Description | Page Number |
|---|-------------|
| A | |
| Accelerator Pedal Installation | 8 - 2.1 |
| Accumulator | 5 - 2.3 |
| Air Cleaner | 2 - 5.2 |
| Air Conditioner/Heater | 8 - 3.4 |
| Air Conditioning/Heater Installation. | 8 - 3.2 |
| Air Intake Installation | 2 - 5.1 |
| Air Pre-Clean Intake Cap | 2 - 5.3 |
| Auxiliary Lighting | 8 - 3.16 |
| Axle Installation | 4 - 3.1 |
| B | |
| Battery Disconnect Switch | 8 - 3.8 |
| Battery Mounting | 3 - 2.1 |
| Blade Hydraulic System | 9 - 1.8 |
| Blade Installation | 1 - 2.1 |
| Block Heater | 2 - 7.1 |
| Brake, Midmount | 5 - 2.4 |
| Brake Pedal Installation | 8 - 2.9 |
| Brake Plumbing | 5 - 1.2 |
| Brake Valve | 5 - 2.1 |
| Boom & Rotor | 1 - 3.1 |
| C | |
| Cab Installation | 8 - 1.1 |
| Charging Pump - Converter | 4 - 1.23 |
| Clutch Group, Reverse and Third | 4 - 1.6 |
| Clutch Group, Forward and Reverse | 4 - 1.8 |
| Clutch Group, Low | 4 - 1.10 |
| Cold Start Kit | 2 - 7.4 |
| Common Hydraulic Plumbing | 9 - 1.6 |
| Condenser | 8 - 3.5 |
| Control Panel, Overhead | 8 - 1.18 |
| Control Valve, Transmission | 4 - 1.12 |
| Controls, Hand Throttle | 2 - 2.1 |
| Converter Assembly | 4 - 1.18 |
| Converter, Charging Pump | 4 - 1.23 |
| Converter Installation | 4 - 1.17 |
| Converter, Pressure Regulator | 4 - 1.22 |
| Coolant Recovery Installation | 2 - 6.3 |
| Cradle Assembly | 7 - 1.4 |
| Cylinder, Hydraulic | 9 - 4 |
| D | |
| Decals | 0 - 3.1 |
| Declutch Installation | 4 - 1.26 |
| Declutch Solenoid Valve | 4 - 1.28 |
| Differential and Carrier Assembly | 4 - 3.4 |
| Differential and Carrier Assembly | 4 - 3.10 |
| Door Assembly - RH (Enclosed Cab) | 8 - 1.14 |
| Door Assembly - LH (Enclosed Cab) | 8 - 1.16 |
| Door Assembly - RH (Screened Cab) | 8 - 1.6 |
| Door Assembly - LH (Screened Cab) | 8 - 1.8 |

| Description | Page Number |
|--|-------------|
| D | |
| Driveline - Axle | 4 - 2.3 |
| Driveline - Converter to Transmission | 4 - 2.2 |
| Driveline - Transmission to Mid Mount Brake | 4 - 2.4 |
| Driveline - Transmission to Winch | 4 - 2.5 |
| Driveline Installation | 4 - 2.1 |
| E | |
| Electrical Cable Harnesses | 3 - 1.1 |
| Enclosed Cab | 8 - 1.2 |
| Engine Installation | 2 - 1.1 |
| Engine Sensors and Fittings | 2 - 7.2 |
| Exhaust System | 2 - 5.4 |
| F | |
| Filter, Hydraulic | 9 - 1.1 |
| Fire Extinguisher Installation | 8 - 3.1 |
| Front Axle Assembly | 4 - 3.2 |
| Front Frame Assembly | 7 - 1.1 |
| Fuel Tank | 2 - 4.1 |
| G | |
| Grapple Assembly | 1 - 4.1 |
| H | |
| Hand Pump | 9 - 6.1 |
| Hand Throttle | 2 - 2.1 |
| Headlight Installation | 8 - 3.14 |
| Heater Assembly | 8 - 3.7 |
| Heater Installation | 8 - 3.6 |
| Hi Vis Decal Installation | 0 - 3.2 |
| Hi Vis Hydraulic Control Valve | 9 - 3.8 |
| Hi Vis Hydraulic Control Valve Installation | 9 - 3.7 |
| Hi Vis Hydraulic Plumbing | 9 - 1.20 |
| High Pressure Filter Assembly | 9 - 5.2 |
| High Pressure Filter Installation | 9 - 1.22 |
| Hinge Assembly | 7 - 1.2 |
| Hydraulic Brake, Transmission | 4 - 1.4 |
| Hydraulic Control Valve Lever Assembly | 9 - 3.12 |
| Hydraulic Control Valve Lever Assembly | 9 - 3.13 |
| Hydraulic Cylinder - Blade | 9 - 4.2 |
| Hydraulic Cylinder - Parallelogram Arch/Boom | 9 - 4.4 |
| Hydraulic Cylinder - Parallelogram Grapple | 9 - 4.5 |
| Hydraulic Cylinder - Steering | 9 - 4.3 |
| Hydraulic Cylinder Locations | 9 - 4.1 |
| Hydraulic Filters | 9 - 1.1 |
| Hydraulic Hand Pump Installation | 9 - 6.1 |
| Hydraulic Return Filter Assembly | 9 - 5.2 |
| Hydraulic Return Filter Installation | 9 - 1.22 |
| Hydraulic Oil Cooler | 9 - 1.4 |
| Hydraulic Pump | 9 - 2.2 |
| Hydraulic Pump Installation | 9 - 2.1 |
| Hydraulic Tank Installation | 9 - 1.1 |

Alphabetical Index

| Description | Page Number |
|---|-------------|
| I | |
| Instrument Panel - Dash | 8 - 2.4 |
| Instrument Panel - Overhead | 8 - 2.6 |
| J | |
| K | |
| L | |
| Lever Assembly, Hydraulic Control Valve | 9 - 3.12 |
| Lube System | 1 - 6.1 |
| M | |
| Mid Mount Brake | 5 - 2.4 |
| Motor, Boom Hydraulic | 1 - 3.4 |
| Muffler | 2 - 5.4 |
| N | |
| O | |
| Oil Cooler, Hydraulic | 9 - 1.4 |
| P | |
| Parallelogram Arch and Rollers | 1 - 1.1 |
| Parallelogram Boom and Rotor | 1 - 3.2 |
| Parallelogram Decal Installation | 0 - 3.1 |
| Parallelogram Grapple Assembly - 105" | 1 - 4.1 |
| Parallelogram Hydraulic Motor | 1 - 3.4 |
| Parallelogram Hydraulic System | 9 - 1.16 |
| Parallelogram Main Hydraulic Control Installation | 9 - 3.1 |
| Parallelogram Main Hydraulic Control Valve | 9 - 3.2 |
| Parking Brake Controls | 5 - 2.2 |
| Planet Carrier Assembly | 4 - 3.12 |
| Planet Carrier Assembly | 4 - 3.6 |
| Pressure Regulator - Converter | 4 - 1.22 |
| Priority Valve Assembly | 6 - 2.2 |
| Pump, Hydraulic | 9 - 2.2 |
| Q | |
| Quick Reference Filters and Belts | 0 - 5.1 |
| R | |
| Radiator Installation | 2 - 6.1 |
| Radiator Assembly | 2 - 6.2 |
| Rear Axle Assembly | 4 - 3.8 |
| Rear Frame Assembly | 7 - 1.3 |
| Relief Valve | 6 - 1.2 |

| Description | Page Number |
|--|-------------|
| S | |
| Screened Cab | 8 - 1.10 |
| Seat Assembly | 8 - 3.10 |
| Seat Installation | 8 - 3.9 |
| Seat Assembly - Suspension | 8 - 3.12 |
| Shift Control | 4 - 1.16 |
| Steering and Valve | 8 - 2.2 |
| Steering Cylinder Installation | 6 - 2.3 |
| Steering Lock | 6 - 3.1 |
| Steering System Plumbing | 6 - 1.1 |
| Steering Valve Assembly | 6 - 2.1 |
| T | |
| Test Center | 9 - 1.12 |
| Tire and Rim Assembly | 4 - 4.1 |
| Tools | 0 - 4.1 |
| Transmission and Coverter Plumbing | 4 - 1.24 |
| Transmission Assembly | 4 - 1.2 |
| Transmission Control Valve | 4 - 1.12 |
| Transmission,Clutch Group, Low | 4 - 1.10 |
| Transmission,Clutch Group, Forward and Reverse | 4 - 1.8 |
| Transmission,Clutch Group, Reverse and Third | 4 - 1.6 |
| Transmission Hydraulic Brake | 4 - 1.14 |
| Transmission Installation | 4 - 1.1 |
| Transmission Shift Control | 8 - 2.8 |
| U | |
| V | |
| Valve Assembly, Priority | 6 - 2.2 |
| Valve Assembly, Steering | 6 - 2.1 |
| Valve, Declutch Solenoid Valve | 4 - 1.28 |
| Valve, Relief Cartridge | 6 - 1.2 |
| W | |
| Winch Assembly | 1 - 5.4 |
| Winch Control Valve Assembly | 1 - 5.3 |
| Winch Control Valve Installation | 1 - 5.2 |
| Winch Installation | 1 - 5.1 |
| Winch Hydraulic Plumbing | 9 - 1.10 |
| Wiper & Washer Installation | 8 - 3.15 |
| X | |
| Y | |
| Z | |

| Part No. | Page | Item | Description | Part No. | Page | Item | Description |
|-----------|----------|------|----------------------------------|------------|----------|------|-----------------------------|
| R001 | 9 - 4.1 | | G67 Hydraulic Cylinder Locations | R10081 | 9 - 1.9 | 1 | Hydraulic Cylinder |
| R002 | 2 - 1.1 | | Engine Installation | | 9 - 4.1 | 1 | Blade Cylinder |
| R003 | 4 - 3.1 | | Axle Installation | | 9 - 4.2 | | Blade Hydraulic Cylinder |
| R004 | 4 - 1.25 | | Transmission/Converter Plumbing | R10082 | 9 - 4.2 | 1 | Barrel & Base Asm |
| R005 | 4 - 2.1 | | Driveline Locations | R10089 | 9 - 4.2 | 19 | Stem & Eye Asm |
| R006 | 4 - 4.1 | | Tire and Wheel Assembly | R10093 | 9 - 4.2 | 12 | Packing Gland |
| R007 | 8 - 1.1 | | Cab Installation | R10095 | 9 - 4.2 | 5 | Piston |
| R009 | 6 - 2.3 | | Steering Cylinder Installation | R10103 | 9 - 4.2 | 3 | Snap Ring |
| R010 | 1 - 2.1 | | Blade Installation | R10104 | 9 - 4.2 | 4 | Washer |
| R011 | 3 - 1.1 | | Electrical Cable Harnesses | R10113 | 1 - 4.1 | 30 | Hydraulic Cylinder |
| R012 | 6 - 3.1 | | Steering Lock | | 9 - 4.1 | 5 | Grapple Cylinder |
| R013 | 9 - 1.21 | | Hi-Vis Hydraulic Plumbing | | 9 - 4.5 | | Para. Grapple Hyd. Cylinder |
| R014 | 2 - 7.2 | | Engine Sensors and Fittings | R10114 | 9 - 4.5 | 17 | Barrel & Base Asm |
| R015 | 9 - 2.1 | | Hydraulic Pump Installation | R101196 | 4 - 3.5 | 5 | Bolt |
| R016 | 4 - 1.17 | | Converter Installation | R10121 | 9 - 4.5 | 15 | Retainer, Gland |
| R04010906 | 6 - 2.2 | 1 | Housing | R101223 | 4 - 3.5 | 22 | Nut |
| R04010907 | 6 - 2.2 | 2 | Spool | R101224 | 4 - 3.5 | 21 | Washer |
| R04010908 | 6 - 2.2 | 3 | Spring | R10123 | 9 - 4.5 | 12 | Packing Gland |
| R04010909 | 6 - 2.2 | 4 | Cartridge, Relief Valve | R10125 | 9 - 4.5 | 5 | Piston |
| R04010910 | 6 - 2.2 | 5 | Plug | R10167 | 2 - 2.1 | 1 | Pivot |
| R04010911 | 6 - 2.2 | 6 | O-Ring | R10168 | 2 - 2.1 | 2 | Collar |
| R04010912 | 6 - 2.2 | 7 | Plug | R10169 | 2 - 2.1 | 3 | Cable, Hand Throttle |
| R04010914 | 6 - 2.2 | 9 | Screw | R10182 | 9 - 3.1 | 2 | Control Mtg Brkt Wldmt |
| R04010915 | 6 - 2.2 | 10 | Screw | | 9 - 3.7 | 2 | Control Mtg Brkt Wldmt |
| R04010916 | 6 - 2.2 | 11 | Plug | R10203 | 2 - 6.1 | 1 | Radiator |
| R10001 | 8 - 1.1 | 9 | Washer | | 2 - 6.2 | | Radiator Assembly |
| R10002 | 8 - 2.1 | 1 | Pedal Asm | R10227 | 2 - 5.4 | 1 | Muffler |
| R10003 | 8 - 1.1 | 10 | Washer | R10229 | 2 - 5.4 | 2 | Clamp |
| R10004 | 8 - 1.1 | 2 | Washer | R10240 | 2 - 5.4 | 3 | Tube Wldmt, Exhaust |
| R10006 | 8 - 1.1 | 7 | Nut | R10243 | 2 - 5.4 | 4 | Clamp |
| R10007 | 8 - 1.1 | 8 | Sleeve | R10244 | 7 - 1.1 | 27 | Sweep Wldmt, RH |
| R10008 | 8 - 2.1 | 2 | Cable | R10251 | 7 - 1.1 | 28 | Sweep Wldmt, LH |
| R10014 | 2 - 7.2 | 40 | Ball Joint | R10258 | 2 - 5.1 | 6 | Elbow |
| | 2 - 7.3 | 40 | Ball Joint | R102745 | 1 - 5.7 | 16 | Washer |
| R10017 | 8 - 1.1 | 3 | Screw | | 4 - 1.19 | 34 | Washer |
| R10018 | 8 - 1.1 | 4 | Nut | | 4 - 1.21 | 34 | Washer |
| R10032 | 8 - 2.9 | 1 | Brake Pedal | | 4 - 1.3 | 2 | Washer |
| R10034 | 5 - 1.3 | 21 | Brake Valve | | 4 - 1.5 | 102 | Washer |
| | 5 - 1.5 | 21 | Brake Valve | R10275 | 7 - 1.1 | 34 | Plate |
| | 5 - 2.1 | | Brake Valve | R10282 | 2 - 1.1 | 1 | Engine |
| R10035 | 6 - 1.5 | 1 | Steering Column | R10295 | 2 - 1.1 | 22 | Fan, Blower |
| | 8 - 2.2 | 1 | Steering Column | R10301 | 1 - 5.1 | 7 | Winch Asm |
| R10037 | 6 - 1.5 | 2 | Clamp Asm | | 1 - 5.5 | | Winch Assembly |
| | 8 - 2.2 | 2 | Clamp Asm | | 1 - 5.7 | | Winch Assembly |
| R10060 | 6 - 1.5 | 6 | Cap | | 1 - 5.9 | | Winch Assembly |
| | 8 - 2.2 | 6 | Cap | R10396 | 2 - 5.1 | 1 | Air Cleaner |
| | 8 - 3.3 | 40 | Cap | | 2 - 5.2 | | Air Cleaner |
| | 8 - 3.6 | 21 | Cap | R10408 | 4 - 4.1 | 1 | Rim Assembly |
| R10061 | 6 - 1.5 | 3 | Nut | R1041 2352 | 9 - 2.2 | 1 | Seal |
| | 8 - 2.2 | 3 | Nut | R1041 2364 | 9 - 2.2 | 70 | Press Comp Asm |
| R10062 | 6 - 1.3 | 10 | Valve, Priority | R10410233 | 1 - 5.2 | 14 | Knob |
| | 6 - 1.5 | 10 | Valve, Priority (6 - 2.2) | | 9 - 1.9 | 26 | Knob, Black |
| | 6 - 2.2 | | Priority Valve Assembly | R10410720 | 9 - 1.9 | 32 | Retainer, Lever |
| R10063 | 6 - 1.5 | 7 | Steering Valve | | 9 - 3.1 | 6 | Retainer, Lever |
| | 6 - 2.1 | | Steering Valve Assembly | | 9 - 3.3 | 27 | Retainer |
| | 8 - 2.2 | 7 | Steering Valve | | 9 - 3.3 | 34 | Retainer |
| R10074 | 6 - 1.5 | 15 | Stee | | 9 - 3.3 | 27 | Retainer |
| | 8 - 2.2 | 15 | Steering Mount | | 9 - 3.3 | 27 | Retainer |

| Part No. | Page | Item | Description | Part No. | Page | Item | Description |
|-----------|---------|------|------------------------|----------|----------|------|-----------------------------------|
| R10410720 | 9 - 3.3 | 34 | Retainer | | 9 - 2.2 | | Hydraulic Pump |
| | 9 - 3.5 | 27 | Retainer | R10543 | 8 - 1.1 | 5 | Cab, Enclosed |
| | 9 - 3.7 | 16 | Retainer, Lever | | 8 - 1.3 | | Enclosed Cab |
| | 9 - 3.9 | 27 | Retainer | | 8 - 1.5 | | Enclosed Cab |
| | 9 - 3.9 | 34 | Retainer | R10544 | 8 - 1.1 | | Cab, Screened |
| | 9 - 3.9 | 27 | Retainer | | 8 - 1.11 | 3 | Door Assembly - LH |
| | 9 - 3.9 | 27 | Retainer | | 8 - 1.11 | | Screened Cab |
| R10410721 | 9 - 1.9 | 33 | Pin, Clevis | | 8 - 1.13 | | Screened Cab |
| | 9 - 3.1 | 17 | Pin, Clevis | R10546 | 8 - 2.5 | 3 | Interface, Monitor |
| | 9 - 3.3 | 31 | Clevis Pin | R10547 | 8 - 2.5 | 4 | Alarm, Buzzer |
| | 9 - 3.7 | 17 | Pin, Clevis | R10548 | 4 - 1.1 | 1 | Transmission Mount, RH Front |
| | 9 - 3.9 | 31 | Clevis Pin | R10549 | 4 - 1.1 | 2 | Transmission Mount, LH Front |
| R10410724 | 9 - 1.9 | 34 | Plate - Linkage, Shift | R10551 | 4 - 2.1 | 1 | Driveline |
| | 9 - 3.1 | 18 | Plate - Linkage, Shift | | 4 - 2.2 | | Driveline |
| | 9 - 3.3 | 29 | Linkage | R10552 | 4 - 2.1 | 2 | Driveline |
| | 9 - 3.7 | 18 | Linkage, Shift | | 4 - 2.3 | | Driveline |
| | 9 - 3.9 | 29 | Linkage | R10556 | 7 - 1.1 | 19 | Strap |
| R10410811 | 9 - 3.3 | 13 | Housing - Primary | R10559 | 9 - 3.1 | 23 | Lever Asm |
| | 9 - 3.3 | 13 | Housing - Primary | | 9 - 3.12 | | Hydraulic Control Valve Lever Asm |
| | 9 - 3.3 | 13 | Housing - Primary | | 9 - 3.7 | 23 | Lever Asm |
| | 9 - 3.5 | 13 | Housing - Primary | R10560 | 9 - 1.9 | 25 | Blade Ctrl Wldmt |
| | 9 - 3.9 | 13 | Housing - Primary | R10563 | 6 - 1.5 | 5 | Steering Wheel |
| | 9 - 3.9 | 13 | Housing - Primary | | 8 - 2.2 | 5 | Steering Wheel |
| | 9 - 3.9 | 13 | Housing - Primary | R10565 | 4 - 3.1 | 2 | Washer |
| R10412068 | 9 - 1.1 | 22 | Sending Unit Rework | R10568 | 8 - 3.3 | 48 | A/C Heater |
| R10417 | 9 - 3.1 | 24 | Plate | | 8 - 3.4 | | Air Conditioner/Heater |
| R10422 | 2 - 5.1 | 10 | Elbow | R10569 | 8 - 3.3 | 45 | Drier, Receiver |
| R10425 | 1 - 4.1 | 34 | Installation Dwg | R10570 | 8 - 3.3 | 46 | Compressor |
| R10429901 | 5 - 1.3 | 29 | Check Valve | R10571 | 8 - 3.3 | 61 | Fitting |
| | 5 - 1.5 | 51 | Check Valve | R10572 | 8 - 3.3 | 60 | Fitting |
| R10432 | 5 - 1.3 | 35 | Accumulator Asm | R10573 | 2 - 1.1 | 5 | Engine Cross Member |
| | 5 - 1.5 | 35 | Accumulator Asm | R10580 | 6 - 1.3 | 11 | Cartridge, Relief Valve |
| | 5 - 2.3 | | Accumulator | | 6 - 1.5 | 11 | Cartridge, Relief Valve |
| R10435 | 2 - 1.1 | 3 | Motor Mount | R10581 | 8 - 2.7 | 16 | Stud, Battery Feeder |
| R10436 | 2 - 1.1 | 4 | Motor Mount | R10590 | 9 - 1.1 | 35 | Trim, Neoprene |
| R10457 | 2 - 6.1 | 2 | Shroud | | 9 - 1.2 | 35 | Trim, Neoprene |
| R10487 | 7 - 1.4 | 3 | Bushing | R10591 | 9 - 1.1 | 36 | Trim, Neoprene |
| R10489 | 7 - 1.4 | 4 | Seal | | 9 - 1.2 | 36 | Trim, Neoprene |
| R10490 | 2 - 7.2 | 100 | Wire Harness, Engine | R10592 | 9 - 1.1 | 37 | Bar |
| | 2 - 7.3 | 100 | Wire Harness, Engine | | 9 - 1.2 | 37 | Bar |
| | 3 - 1.1 | 1 | Wire Harness, Engine | R10593 | 9 - 1.1 | 38 | Bar |
| R10500 | 5 - 1.3 | 24 | Plate | | 9 - 1.2 | 38 | Bar |
| | 5 - 1.5 | 24 | Plate | R10594 | 9 - 1.1 | 7 | Window |
| R10507 | 9 - 1.1 | 1 | Tank | | 9 - 1.2 | 7 | Window |
| | 9 - 1.2 | 1 | Tank | R10596 | 4 - 1.1 | 4 | Transmission Mount, LH Rear |
| R10508 | 7 - 1.4 | 1 | Cradle Bushing Asm | R10597 | 4 - 1.1 | 8 | Bracket |
| R105082 | 7 - 1.4 | 2 | Cradle Wldmnt | | 6 - 1.3 | 36 | Fitting |
| R10509 | 7 - 1.3 | 1 | Frame Wldmt | | 6 - 1.5 | 36 | Fitting |
| R10510 | 8 - 2.5 | 2 | Instrument Cluster | R10598 | 9 - 1.21 | 1 | 100" Hi-vis Grapple |
| R10525 | 9 - 1.1 | 17 | Gasket | R10599 | 9 - 1.21 | | 104" Hi-vis Grapple |
| | 9 - 1.2 | 17 | Gasket | R10600 | 8 - 3.9 | 1 | Seat with Belt |
| | 9 - 1.3 | 14 | Gasket | R10600-1 | 8 - 3.11 | | Seat Assembly - Seat Top |
| R10527 | 9 - 1.1 | 14 | Filter / Cover Wldmt | R10600-2 | 8 - 3.13 | | Seat Assembly - Suspension |
| R10530 | 7 - 1.1 | 32 | Hood Wldmt | R10602 | 8 - 2.5 | 6 | Wire Harness, Dash |
| R10533 | 7 - 1.1 | 14 | Hardnose Wldmt | R10603 | 8 - 3.3 | 63 | Bracket, Compressor Mtg |
| R10541 | 8 - 3.3 | 47 | Condenser, Air Cond | R10605 | 2 - 5.1 | 2 | Band |
| | 8 - 3.5 | | Condenser | R10606 | 9 - 1.1 | 13 | Breather Asm |
| R10542 | 9 - 2.1 | 1 | Hydraulic Pump | | 9 - 1.2 | 13 | Breather Asm |

| Part No. | Page | Item | Description | Part No. | Page | Item | Description |
|----------|----------|------|----------------------------|----------|----------|------|--------------------------|
| R10607 | 5 - 1.3 | 7 | Pressure Switch | R10694 | 3 - 1.1 | 4 | Wire Harness, Frame Grnd |
| | 5 - 1.5 | 52 | Pressure Switch | R10695 | 3 - 1.1 | 5 | Wire Harness, Relay |
| R10608 | 3 - 1.1 | 40 | Bar, Bus | R10696 | 3 - 1.1 | 6 | Wire Harness, Frame Grnd |
| R10612 | 1 - 5.2 | 7 | Lever Wldmt | R10701 | 2 - 7.2 | 43 | Plate |
| R10617 | 1 - 5.2 | 9 | Ball Joint | | 2 - 7.3 | 43 | Plate |
| R10619 | 4 - 3.1 | 3 | Cover | R10703 | 2 - 7.2 | 25 | Drain |
| R10622 | 8 - 2.9 | 8 | Bar | | 2 - 7.3 | 25 | Drain |
| R10623 | 7 - 1.4 | 5 | Plate | R10707 | 8 - 3.15 | 1 | Motor & Drive |
| R10625 | 8 - 2.5 | 8 | Relay | R10708 | 8 - 3.15 | 2 | Arm,wiper |
| R10627 | 2 - 5.1 | 8 | Tube | R10709 | 8 - 3.15 | 3 | Blade, Wiper |
| R10631 | 8 - 3.13 | 1 | Suspension Sub Assembly | R10711 | 4 - 1.25 | 5 | Rework, Tee Fitting |
| R10633 | 4 - 1.16 | 12 | Plate | R10712 | 5 - 1.3 | 28 | Tube Asm |
| R10634 | 4 - 1.16 | 14 | Cable Mount | | 5 - 1.3 | 8 | Tube Asm |
| R10636 | 4 - 1.16 | 11 | Cable Mount | R10714 | 7 - 1.1 | 35 | Cover |
| R10639 | 2 - 7.2 | 23 | Fitting | R10716 | 7 - 1.4 | 6 | Capscrew |
| R10640 | 8 - 3.3 | 1 | Condenser Canopy | R10737 | 6 - 1.3 | 34 | Fitting Rework |
| R10645 | 8 - 3.3 | 32 | A/C Lines Cover Wldmt | | 6 - 1.5 | 34 | Fitting Rework |
| R10654 | 2 - 7.2 | 24 | Switch, Temp | R10741 | 2 - 2.1 | 4 | Clip |
| | 2 - 7.3 | 24 | Switch, Temp | R10742 | 9 - 1.17 | 9 | Bulkhead Mtg Wldmt |
| R10656 | 8 - 3.6 | 2 | Heater | | 9 - 1.19 | 9 | Bulkhead Mtg Wldmt |
| | 8 - 3.7 | | Heater | R107447 | 4 - 3.5 | 10 | Cage Asm |
| R10657 | 8 - 3.3 | 62 | Switch, Press | R10748 | 0 - 3.1 | 5 | Decal |
| R10658 | 8 - 3.3 | 52 | Hose Asm | | 0 - 3.2 | 5 | Decal |
| R10659 | 8 - 3.3 | 51 | Hose Asm | R10749 | 0 - 3.1 | 6 | Decal |
| R10660 | 8 - 3.3 | 50 | Hose Asm | | 0 - 3.2 | 6 | Decal |
| R10661 | 8 - 3.3 | 49 | Hose Asm | R10750 | 0 - 3.1 | 7 | Decal |
| R10662 | 8 - 3.3 | 53 | O-Ring | | 0 - 3.2 | 7 | Decal |
| R10663 | 8 - 3.3 | 54 | O-Ring | R10751 | 0 - 3.1 | 8 | Decal |
| | 8 - 3.4 | 18 | O-Ring | | 0 - 3.2 | 8 | Decal |
| R10664 | 8 - 3.3 | 55 | O-Ring | R10752 | 0 - 3.1 | 9 | Decal |
| R10665 | 4 - 1.26 | 12 | Wire Harness, Declutch | | 0 - 3.2 | 9 | Decal |
| | 4 - 1.27 | 12 | Wire Harness, Declutch | R10753 | 0 - 3.1 | 10 | Decal |
| R106656 | 4 - 3.1 | 4 | Breather Asm | | 0 - 3.2 | 10 | Decal |
| R10667 | 9 - 1.13 | 19 | Bar | R10754 | 0 - 3.1 | 11 | Decal |
| | 9 - 1.15 | 20 | Bar | | 0 - 3.2 | 11 | Decal |
| R10670 | 8 - 3.3 | 44 | Kit, A/C, Heater | R10755 | 0 - 3.1 | 12 | Decal |
| R10671 | 8 - 3.3 | 57 | Adapter | | 0 - 3.2 | 12 | Decal |
| | 8 - 3.6 | 4 | Adapter | R10756 | 0 - 3.1 | 24 | Decal |
| R10672 | 8 - 3.3 | 56 | Hose | | 0 - 3.2 | 24 | Decal |
| | 8 - 3.6 | 3 | Hose | R10757 | 0 - 3.1 | 25 | Decal |
| R10675 | 4 - 1.16 | 1 | Cable | | 0 - 3.2 | 25 | Decal |
| R10676 | 4 - 1.16 | 2 | Rod End | R10758 | 0 - 3.1 | 13 | Decal |
| R10679 | 4 - 1.25 | 73 | Dipstick Tube Asm | | 0 - 3.2 | 13 | Decal |
| R10680 | 4 - 1.25 | 4 | Dipstick | R10760 | 0 - 3.1 | 2 | Decal Kit |
| | 4 - 1.25 | 74 | Dipstick | | 0 - 3.2 | 2 | Decal Kit |
| R10682 | 7 - 1.1 | 4 | Plate | R10762 | 9 - 1.1 | 18 | Fitting Rework |
| R10683 | 9 - 3.7 | 24 | Plate | R10763 | 8 - 3.9 | 2 | Tube |
| R10685 | 0 - 3.1 | 3 | Decal | R10767 | 9 - 1.4 | 7 | Oil Cooler Mt Wldmt |
| | 0 - 3.2 | 3 | Decal | | 9 - 1.5 | 6 | Oil Cooler Mt Wldmt |
| R10686 | 0 - 3.1 | 4 | Decal | R10768 | 9 - 1.4 | 6 | Bar |
| | 0 - 3.2 | 4 | Decal | | 9 - 1.5 | 5 | Bar |
| R10687 | 2 - 5.4 | 5 | Tube, Flex | R10769 | 9 - 3.1 | 28 | Plate |
| R10688 | 9 - 2.1 | 2 | Sleeve | | 9 - 3.7 | 28 | Plate |
| R10689 | 8 - 3.3 | 3 | Grille | R10770 | 9 - 1.4 | 1 | Oil Cooler |
| R10690 | 2 - 5.4 | 6 | Turbo Outlet Wldmt | R10771 | 9 - 1.4 | 2 | Kit, Oil Cooler Mtg |
| R10691 | 3 - 1.1 | 2 | Wire Harness, Battery Grnd | R10772 | 9 - 1.9 | 21 | Plate |
| | 8 - 3.8 | 3 | Battery Cable | R10773 | 2 - 5.1 | 20 | Tube |
| R10692 | 3 - 1.1 | 3 | Wire Harness, Battery Pos | R10775 | 8 - 3.3 | 41 | Decal |

| Part No. | Page | Item | Description | Part No. | Page | Item | Description |
|----------|----------|------|------------------------------|----------|----------|------|--------------------------------|
| R10776 | 8 - 3.3 | 43 | Belt | R11144 | 8 - 3.17 | 23 | Elec Schem, A/C, Boom Light |
| R10777 | 3 - 1.1 | 10 | Wire | R11145 | 8 - 3.17 | 22 | Wiring Harness, Boom Lights |
| R10778 | 3 - 1.1 | 11 | Cable Asm | R11150 | 2 - 1.1 | | Spacer |
| R10779 | 3 - 1.1 | 12 | Wire Harness, Eng Grnd | R11152 | 4 - 1.26 | 10 | Switch |
| | 8 - 3.8 | 4 | Ground Wire | | 4 - 1.27 | 10 | Switch |
| R10780 | 8 - 2.9 | 2 | Spring | R11153 | 8 - 2.8 | 4 | Handle, Knob |
| R10781 | 9 - 1.13 | 18 | Test Center Plate | R11155 | 4 - 1.26 | 11 | Switch |
| | 9 - 1.15 | 14 | Test Center Plate | | 4 - 1.27 | 11 | Switch |
| R10782 | 8 - 3.17 | 1 | Window | R11159 | 8 - 3.17 | 7 | Light Box Wldmt |
| R10785 | 8 - 3.17 | 2 | Box Wldmt | R11162 | 8 - 3.17 | | Auxiliary Lighting |
| R10787 | 8 - 3.17 | 3 | Window | R11165 | 8 - 3.15 | 8 | Wire Asm |
| R10788 | 8 - 3.17 | 4 | Weld, Cap | R111658 | 4 - 3.11 | 40 | Washer |
| R10795 | 8 - 3.17 | 5 | Wire Harness | | 4 - 3.5 | 40 | Washer |
| R10798 | 9 - 1.21 | 20 | Bulkhead Wldmt | R11166 | 2 - 6.3 | 3 | Bottle |
| R10803 | 9 - 1.21 | 15 | Fitting | R11168 | 8 - 3.14 | | Headlight Installation |
| R10804 | 3 - 1.1 | 13 | Cable, Power | R11171 | 0 - 3.1 | 23 | Decal |
| R10805 | 2 - 4.1 | 16 | Hose Guard Wldmt | | 0 - 3.2 | 23 | Decal |
| R10807 | 2 - 5.4 | 7 | Tube | R11172 | 8 - 2.7 | 9 | Symbol, Washer |
| R10809 | 9 - 3.1 | 29 | Boot | R11173 | 8 - 2.7 | 8 | Symbol, Wiper |
| | 9 - 3.7 | 29 | Boot | R11174 | 8 - 2.7 | 20 | Symbol, Light |
| R10811 | 1 - 3.2 | 1 | Boom Wldmt | R11175 | 8 - 3.17 | 41 | Symbol |
| R10813 | 4 - 1.25 | 6 | Elbow Rework | R11176 | 8 - 3.17 | 17 | Symbol, Light |
| R10815 | 7 - 1.1 | 16 | Washer | R11177 | 8 - 2.7 | 10 | Symbol, Light |
| | 9 - 1.1 | 3 | Washer | R11178 | 8 - 2.5 | 33 | Symbol, Light |
| | 9 - 1.2 | 3 | Washer | R11179 | 8 - 2.5 | 28 | Cover, Blank |
| | 9 - 2.1 | 3 | Washer | | 8 - 2.7 | 13 | Cover, Blank |
| R10816 | 8 - 3.14 | 1 | Light | R11190 | 8 - 2.7 | 11 | Domelight |
| | 8 - 3.17 | 6 | Light | R11191 | 8 - 3.15 | | Wiper & Washer Installation |
| R10817 | 8 - 3.3 | 37 | Refrigerant | R11193 | 8 - 2.7 | | Instrument Panel - Overhead |
| R10819 | 8 - 2.7 | 26 | Mirror (Cab Interior) | R11199 | 8 - 2.5 | | Instrument Panel - Dash |
| R10820 | 8 - 3.15 | 4 | Washer Bottle/Pump | R11212 | 9 - 1.11 | 18 | Strap |
| R10842 | 9 - 3.13 | | Hyd. Control Valve Lever Asm | R11215 | 8 - 3.1 | | Fire Extinguisher Installation |
| | 9 - 3.7 | 31 | Lever Asm | R11216 | 8 - 3.9 | | Seat Installation |
| R10843 | 5 - 1.3 | 34 | Tube Asm | R11217 | 8 - 2.9 | | Brake Pedal Installation |
| R10847 | 9 - 3.11 | 43 | Body | R11219 | 8 - 3.11 | | Seat Top Sub Assembly |
| | 9 - 3.5 | 43 | Body | R11220 | 8 - 3.11 | | Kit, RH Armrest |
| R10850 | 9 - 3.7 | 1 | Valve, Hyd Control | R11221 | 8 - 3.11 | 2 | Backrest Extension |
| | 9 - 3.9 | | Main Hydraulic Control Valve | R11222 | 8 - 3.11 | 4 | Backrest Pan |
| R10851 | 9 - 3.1 | 1 | Valve, HydControl | R11223 | 8 - 3.11 | 5 | Backrest Cushion |
| | 9 - 3.3 | | Main Hydraulic Control Valve | R11224 | 8 - 3.11 | 6 | Seat Cushion |
| R10855 | 9 - 1.1 | 19 | Fitting Rework | R11225 | 8 - 3.11 | 7 | Kit, Lumbar |
| R10887 | 4 - 3.11 | 20 | Flange | R11226 | 8 - 3.11 | 10 | Kit, LH Armrest |
| R108871 | 4 - 3.5 | 20 | Flange | R11227 | 8 - 3.11 | 12 | Kit, Fore-Aft Adjustment |
| R110036 | 5 - 1.3 | 40 | Stud | R11228 | 8 - 3.11 | 14 | Cover |
| | 5 - 1.5 | 40 | Stud | R11229 | 8 - 3.11 | 16 | Bracket |
| R11022 | 9 - 1.1 | 31 | Valve, Check | R112295 | 4 - 3.3 | 32 | Dowel |
| | 9 - 1.2 | 27 | Valve, Check | R11230 | 8 - 3.11 | 17 | Cross Bar |
| R11025 | 4 - 1.21 | 82 | Ring Gear | R11231 | 8 - 3.11 | 18 | Seat Pan |
| R11042 | 9 - 1.1 | 14B | Cover | R11232 | 8 - 3.11 | 19 | Kit, Backrest Angle Adjustment |
| R11047 | 3 - 1.1 | 41 | Wire | R11233 | 8 - 3.11 | 22 | Tether Belt |
| R11048 | 2 - 1.1 | 21 | Alternator | R11235 | 8 - 3.13 | 3 | Kit, Upper Plate |
| R11060 | 8 - 3.3 | 59 | Plate | R11236 | 8 - 3.13 | 4 | Kit, Swing Arm |
| R11066 | 2 - 7.4 | | Cold Start Kit | R11237 | 8 - 3.13 | 5 | Kit, Shock Absorber |
| R11068 | 2 - 7.4 | 15 | Spacer | R11238 | 8 - 3.13 | 6 | Kit, Weight Adjustment Hwd |
| R11073 | 9 - 1.1 | 14C | O-Ring | R11239 | 8 - 3.13 | 7 | Kit, Bottom Plate |
| R11131 | 4 - 1.25 | 62 | Fitting | R11240 | 8 - 3.13 | 8 | Kit, Shock Absorber |
| R11137 | 4 - 1.25 | 3 | Dipstick Tube Asm | R11241 | 8 - 3.13 | 9 | Plate |
| R11140 | 8 - 3.3 | 8 | Wire Harness | R11242 | 8 - 3.13 | 10 | Kit, Weight Indicator |

| Part No. | Page | Item | Description | Part No. | Page | Item | Description |
|----------|----------|------|----------------------------------|----------|----------|------|-----------------------------------|
| R11243 | 8 - 3.13 | 11 | Kit, Weight Adjustment | R11497 | 3 - 1.1 | 29 | Relay, Solenoid |
| R11244 | 8 - 3.13 | 12 | Kit, Weight Adjustment Crank | R11499 | 8 - 3.14 | 2 | Nut |
| R11245 | 8 - 3.13 | 13 | Bellows | | 8 - 3.17 | 31 | Nut |
| R11257 | 4 - 1.16 | 16 | Transmission Shifter | R11505 | 8 - 2.2 | | Steering & Valve |
| | 8 - 2.8 | | Transmission Shift Controller | R11513 | 8 - 3.6 | | Heater Installation |
| R11266 | 8 - 2.1 | | Accelerator Pedal Installation | R11514 | 8 - 3.6 | 1 | Heater Kit |
| R11267 | 8 - 3.3 | | Air Cond/Heater Installation | R11516 | 9 - 1.21 | 19 | Main HydValve |
| R11279 | 8 - 3.3 | 13 | Pl,spacer | | 9 - 3.7 | | Main Control Valve Installation |
| | 8 - 3.6 | 8 | Plate | R11517 | 2 - 6.3 | 4 | Hose Asm |
| R11298 | 8 - 3.8 | | Battery Disconnect Switch | R11518 | 1 - 6.1 | | Lube System |
| R11300 | 0 - 3.1 | | Parallelogram Decal Installation | R11519 | 2 - 6.2 | 9 | Cap |
| R11306 | 0 - 3.2 | | Hi Vis Decal Installation | R11520 | 8 - 2.8 | 3 | Gate Plate |
| R11319 | 9 - 1.2 | | Seal Kit | R11521 | 8 - 2.8 | 5 | Lever |
| R11320 | 9 - 1.1 | 6 | Ring | R11522 | 8 - 2.8 | 6 | Spring |
| | 9 - 1.2 | 6 | Ring | R11523 | 8 - 2.8 | 7 | Disk |
| R11321 | 2 - 1.1 | | Suction Fan Option | R11524 | 8 - 2.8 | 8 | Ball |
| R11348 | 4 - 1.26 | 1 | Declutch Asm | R11525 | 8 - 2.8 | 9 | Screw |
| | 4 - 1.27 | 1 | Declutch Asm | R11526 | 8 - 2.8 | 11 | Strap |
| R11377 | 8 - 2.8 | 2 | Shift Controller | R11527 | 8 - 2.8 | 18 | Capscrew |
| R11381 | 2 - 7.3 | 130 | Wire Asm | | 8 - 2.8 | 12 | Capscrew |
| R113929 | 4 - 3.3 | 16 | Stud | R11528 | 8 - 2.8 | 13 | Nut |
| R114 | 2 - 7.3 | | Engine Sensors and Fittings | R11529 | 8 - 2.8 | 14 | Swivel |
| R11403 | 5 - 1.5 | 56 | Fitting | R11530 | 8 - 2.8 | 15 | Washer |
| R11414 | 9 - 3.1 | | Main Control Valve Installation | R11531 | 8 - 2.8 | 16 | Cotter Pin |
| R11417 | 9 - 3.12 | 10 | Rod End | R11532 | 8 - 2.8 | 17 | Washer |
| | 9 - 3.13 | 10 | Rod End | R11533 | 8 - 2.8 | 19 | Nut |
| R11433 | 5 - 2.1 | | Service Kit | R11534 | 8 - 2.8 | 20 | Bracket |
| R11438 | 9 - 1.6 | | Common Hyd. Hose Installation | R11535 | 8 - 2.8 | 21 | Clevis Pin |
| R11453 | 9 - 3.12 | 6 | Setscrew | R11536 | 4 - 1.28 | 2 | Coil |
| | 9 - 3.13 | 6 | Setscrew | R11565 | 9 - 1.1 | 41 | Valve, Ball |
| R11454 | 9 - 3.12 | 9 | Pin | | 9 - 1.2 | 41 | Valve, Ball |
| | 9 - 3.13 | 9 | Pin | R11567 | 9 - 1.1 | 40 | Fitting |
| R11456 | 4 - 1.1 | | Transmission Installation | | 9 - 1.2 | 40 | Fitting |
| R11457 | 9 - 3.12 | 1 | Retainer | R11568 | 9 - 1.1 | 42 | Fitting |
| | 9 - 3.13 | 1 | Retainer | | 9 - 1.2 | 42 | Fitting |
| R11458 | 9 - 3.12 | 2 | Retainer | R11569 | 4 - 1.16 | | Shift Control |
| | 9 - 3.13 | 2 | Retainer | R11572 | 2 - 4.1 | | Fuel Tank & Lines |
| R11465 | 8 - 3.11 | 20 | Seat Belt, Retractable | R11579 | 9 - 1.6 | 1 | Hose Asm |
| R11466 | 9 - 3.12 | 3 | Spacer | R11580 | 9 - 1.23 | 6 | Bypass Plug, switch |
| | 9 - 3.13 | 3 | Spacer | R11582 | 9 - 1.1 | | Hydraulic Tank Installation |
| R11467 | 9 - 3.12 | 4 | Handle | R11586 | 9 - 2.3 | | Hydraulic Pump Assembly |
| | 9 - 3.13 | 4 | Handle | R11589 | 9 - 1.23 | 15 | Hose Asm |
| R11468 | 9 - 3.12 | 5 | Capscrew | R11590 | 9 - 1.23 | | High Pressure Filter Installation |
| | 9 - 3.13 | 5 | Capscrew | R11593 | 9 - 5.2 | | Filter Assembly |
| R11469 | 9 - 3.12 | 7 | Nut | R11595 | 9 - 1.1 | 30 | Fitting Rework |
| | 9 - 3.13 | 7 | Nut | R11596 | 9 - 1.7 | 8 | Split Flange Kit |
| R11470 | 9 - 3.12 | 8 | Nut | R11597 | 9 - 1.7 | 7 | Split Flange Kit |
| | 9 - 3.13 | 8 | Nut | R11598 | 9 - 1.7 | 1 | Hose Asm |
| R11471 | 9 - 3.12 | 11 | Rod End | R11599 | 9 - 1.15 | | Test Center |
| R11472 | 9 - 3.12 | 12 | Knob | R11600 | 9 - 1.15 | 1 | Hose Asm |
| | 9 - 3.13 | 11 | Knob | R11601 | 9 - 1.15 | 2 | Hose Asm |
| R11473 | 9 - 3.13 | 12 | Coupling | R11602 | 9 - 1.15 | 3 | Hose Asm |
| R11474 | 9 - 3.13 | 13 | Coupling | R11603 | 9 - 1.15 | 4 | Hose Asm |
| R11477 | 9 - 1.11 | | Winch Hydraulics | R11604 | 9 - 1.15 | 5 | Hose Asm |
| R11478 | 1 - 5.1 | | Winch Installation | R11605 | 9 - 1.15 | 6 | Hose Asm |
| R11481 | 1 - 5.2 | | Winch Control Valve Installation | R11606 | 9 - 1.15 | 7 | Hose Asm |
| R11484 | 4 - 1.26 | | Declutch Installation | R11607 | 6 - 1.5 | 35 | Hose Asm |
| R11485 | 9 - 1.17 | | Parallelogram Hydraulic System | | 9 - 1.15 | 8 | Hose Asm |

| Part No. | Page | Item | Description | Part No. | Page | Item | Description |
|----------|----------|------|--------------------------------------|----------|----------|------|----------------------------------|
| R11607 | 9 - 1.23 | 12 | Hose Asm | | 9 - 1.23 | 9 | Wire Harness, switch |
| R11608 | 9 - 1.15 | 9 | Coupler | R11771 | 9 - 1.22 | 6 | Wiring Harness, Light |
| R11610 | 9 - 1.15 | 11 | Hose Asm | | 9 - 1.23 | 7 | Wiring Harness, light |
| R11611 | 9 - 1.15 | 12 | Hose Asm | R11773 | 9 - 1.23 | 14 | Filter Brkt Instl |
| R11612 | 9 - 1.15 | 13 | Hose Asm | R11774 | 9 - 1.22 | 7 | Plate |
| R11616 | 2 - 6.1 | | Radiator Installation | R11775 | 9 - 5.2 | 6 | Filter Element |
| R11617 | 2 - 6.3 | | Coolant Collection Tank Installation | R11777 | 9 - 1.22 | 9 | Decal |
| R11627 | 9 - 3.5 | F | Valve Section (Grapple) | | 9 - 1.23 | 10 | Decal |
| | 9 - 3.9 | E | Valve Section (Grapple) | R11778 | 0 - 3.1 | 26 | Decal |
| R11628 | 4 - 2.3 | 7 | Grease Fitting | | 0 - 3.2 | 26 | Decal |
| | 4 - 2.4 | 8 | Grease Fitting | R11780 | 3 - 2.1 | | Battery Installation |
| R11629 | 4 - 2.3 | 8 | Propshaft | R11781 | 9 - 5.2 | 13 | Differential Pressure Device |
| R11630 | 4 - 2.2 | 1 | Screw | R11788 | 6 - 1.3 | | Seal Kit |
| R11631 | 4 - 2.2 | 2 | U-Joint Asm | | 6 - 1.5 | | Seal Kit |
| R11633 | 4 - 2.2 | 3 | Yoke Asm | R11789 | 5 - 2.1 | 3 | Retaining Ring |
| R11634 | 4 - 2.2 | 7 | Propshaft | R11790 | 5 - 2.1 | 5 | Retainer |
| R11635 | 4 - 2.2 | 4 | Washer | R11791 | 5 - 2.1 | 6 | Interior Retaining Ring |
| R11636 | 4 - 2.2 | 5 | Retainer | R11792 | 5 - 2.1 | 7 | Bac up Ring |
| R11637 | 4 - 2.2 | 9 | U-Joint Asm | R11793 | 5 - 2.1 | 8 | O-Ring |
| R11651 | 2 - 6.3 | 2 | Bracket | R11794 | 5 - 2.1 | 9 | Piston - Actuator |
| R11653 | 9 - 1.2 | | Hydraulic Tank Installation | R11795 | 5 - 2.1 | 10 | External Retaining Ring |
| R11654 | 9 - 1.2 | 14 | Filter / Cover Plate | R11796 | 5 - 2.1 | 12 | Retainer, Spring |
| | 9 - 1.3 | 2 | Filter / Cover Plate | R11797 | 5 - 2.1 | 13 | Regulator |
| R11658 | 9 - 1.2 | 26 | Fitting | R11798 | 5 - 2.1 | 14 | Tube |
| | 9 - 1.3 | 19 | Fitting | R11799 | 5 - 2.1 | 20 | Washer |
| R11670 | 8 - 3.15 | 9 | Wire Asm | R11800 | 5 - 2.1 | 21 | Screw |
| R11671 | 8 - 3.15 | 12 | Decal | R11801 | 5 - 2.1 | 22 | Valve Plate |
| R11679 | 2 - 2.1 | | Hand Throttle | R11802 | 5 - 2.1 | 23 | Center Bias |
| R11682 | 9 - 5.1 | | Hydraulic Return Filter | R11803 | 5 - 2.1 | 24 | Spacer |
| R11686 | 9 - 1.2 | 33 | Magnet | R11804 | 5 - 2.3 | 3 | Gas Cap |
| R11689 | 9 - 5.1 | 6 | Element | R11805 | 5 - 2.3 | 4 | Piston |
| R11709 | 6 - 1.3 | | Steering System Plumbing | R11806 | 5 - 2.3 | 8 | Gas Valve |
| R11710 | 2 - 4.1 | 22 | Ring | R11807 | 5 - 2.3 | 10 | Protector, Valve |
| R11711 | 5 - 1.3 | | Brake Plumbing | R11808 | 5 - 2.3 | 11 | Screw |
| R11712 | 9 - 1.4 | | Hydraulic Oil Cooler | R11809 | 5 - 2.3 | | Service Kit |
| R11716 | 8 - 3.5 | 1 | Casing | R11811 | 9 - 1.19 | | Parallelogram Hydraulic System |
| R11717 | 8 - 3.5 | 2 | Cover | R11812 | 7 - 1.1 | | Front Frame |
| R11718 | 8 - 3.5 | 3 | Side Cover | R11813 | 7 - 1.3 | | Rear Frame Assembly |
| R11719 | 8 - 3.5 | 4 | Coil | R11819 | 9 - 1.23 | 13 | Dry Start Procedure |
| R11720 | 8 - 3.5 | 5 | Motor | R11821 | 7 - 1.2 | | Hinge Joint Assembly |
| R11721 | 8 - 3.5 | 6 | Fan Blade | R11823 | 9 - 3.1 | 2 | Control Mtg Bracket |
| R11722 | 8 - 3.5 | 7 | Motor Mount | | 9 - 3.7 | 2 | Control Mtg Bracket |
| R117225 | 4 - 3.3 | 11 | Screw | R11838 | 5 - 1.5 | | Brake Plumbing |
| R11723 | 8 - 3.5 | 8 | Motor Support | R11843 | 9 - 6.1 | | Hydraulic Fill Pump Installation |
| R11724 | 8 - 3.5 | 9 | Fan Bracket | R11844 | 9 - 6.1 | 3 | Pate |
| R11725 | 8 - 3.5 | 10 | Anti-Vibration Mount | R11847 | 9 - 1.13 | | Test Center |
| R11726 | 8 - 3.5 | 11 | Grommet | R11857 | 6 - 1.5 | 16 | Hose Asm |
| R11732 | 2 - 5.1 | | Air Intake Installation | | 9 - 1.3 | 15 | Hose |
| R11733 | 2 - 5.1 | 19 | Pre-Cleaner | R11858 | 9 - 6.1 | | Hydraulic Fill Hand Pump |
| R11734 | 2 - 5.1 | 16 | Air Intake Cap | | 9 - 6.1 | 1 | Pump |
| R11753 | 4 - 1.27 | | Declutch, Cab | R11859 | 9 - 1.7 | | Common HydHose Installation |
| R11754 | 4 - 1.27 | 14 | Relay | R11860 | 5 - 1.5 | 50 | Manifold |
| R11755 | 4 - 1.27 | 17 | Wire Asm | R11862 | 9 - 1.2 | 18 | Filter Asm |
| R11756 | 4 - 1.27 | 18 | Wire Asm | | 9 - 1.3 | 1 | Filter Asm |
| R11757 | 4 - 1.27 | | Declutch Installation | R11865 | 5 - 1.5 | 49 | Manifold Asm |
| R11759 | 2 - 5.4 | | Exhaust System | R11866 | 5 - 1.5 | 53 | Tube Asm |
| R11763 | 9 - 1.9 | | Blade Hydraulics | R11867 | 5 - 1.5 | 54 | Tube Asm |
| R11770 | 9 - 1.22 | 8 | Wire Harness, Switch | R11868 | 5 - 1.5 | 58 | Fitting |

| Part No. | Page | Item | Description | Part No. | Page | Item | Description |
|----------|----------|------|------------------------------|----------|----------|------|----------------------|
| R11870 | 9 - 6.1 | 2 | Guard Rework, Blade Cylinder | | 9 - 3.5 | 56 | End Cover |
| R11872 | 9 - 1.5 | 1 | Oil Cooler | R11932 | 9 - 3.11 | 58 | Sectional Seal Kit |
| R11873 | 9 - 1.2 | 62 | Check Valve | | 9 - 3.5 | 58 | Sectional Seal Kit |
| | 9 - 1.3 | 6 | Check Valve | R11933 | 9 - 3.3 | 1 | Body |
| R11877 | 9 - 1.2 | 58 | Fitting | | 9 - 3.9 | 1 | Body |
| | 9 - 1.3 | 8 | Fitting | R11934 | 9 - 3.3 | 2 | Plug |
| | 9 - 6.1 | 12 | Fitting | | 9 - 3.9 | 2 | Plug |
| R118774 | 4 - 3.6 | 5 | Thrust Washer | R11935 | 9 - 3.3 | 3 | O-Ring |
| R118775 | 4 - 3.6 | 8 | Spacer | | 9 - 3.9 | 3 | O-Ring |
| R11878 | 9 - 1.2 | 61 | Fitting | R11936 | 9 - 3.3 | 4 | Spring |
| | 9 - 1.3 | 20 | Fitting | | 9 - 3.9 | 4 | Spring |
| R11880 | 9 - 6.1 | 18 | Fitting | R11937 | 9 - 3.3 | 5 | Spool |
| R11883 | 4 - 1.21 | | Converter | | 9 - 3.9 | 5 | Spool |
| R11885 | 9 - 1.15 | 10 | Hose Asm | R11938 | 9 - 3.3 | 6 | Pin |
| R11889 | 9 - 2.2 | 2 | Roll Pin | | 9 - 3.9 | 6 | Pin |
| R11890 | 9 - 2.2 | 3 | Barrel | R11939 | 9 - 3.3 | C | Valve Section (Arch) |
| R11891 | 9 - 2.2 | 4 | Swash Plate | R11940 | 9 - 3.3 | | Valve Section (Boom) |
| R11892 | 9 - 2.2 | 5 | Pin | R11941 | 9 - 3.11 | 57 | Bolt Kit |
| R11895 | 9 - 2.2 | 8 | Servo Piston | | 9 - 3.5 | 57 | Bolt Kit |
| R11896 | 9 - 2.2 | 9 | Slipper Retainer | R11942 | 9 - 3.3 | 33 | Relief Assembly |
| R11897 | 9 - 2.2 | 10 | Ball Seat | R11943 | 9 - 3.5 | 24 | Relief Assembly |
| R11898 | 9 - 2.2 | 11 | Spring | | 9 - 3.9 | 24 | Relief Assembly |
| R11899 | 9 - 2.2 | 12 | Trunnion Cap Assembly | R11944 | 9 - 3.3 | 35 | Relief Assembly |
| R11900 | 9 - 2.2 | 13 | Spring | R11945 | 9 - 3.3 | 36 | Relief Assembly |
| R11901 | 9 - 2.2 | 14 | Plug | R11946 | 9 - 3.3 | 7 | Body |
| R11902 | 9 - 2.2 | 15 | Ball | R11947 | 9 - 3.3 | 8 | Spool |
| R11903 | 9 - 2.2 | 17 | Spool and Sleeve Asm | | 9 - 3.5 | 8 | Spool |
| R11904 | 9 - 2.2 | 18 | Airbleed Assembly | | 9 - 3.9 | 8 | Spool |
| R11905 | 9 - 2.2 | 19 | Retainer | R11948 | 9 - 3.3 | 9 | O-Ring |
| R11906 | 9 - 2.2 | 20 | Spring | | 9 - 3.3 | 9 | O-Ring |
| R11907 | 9 - 2.2 | 21 | O-Ring | | 9 - 3.5 | 9 | O-Ring |
| R11908 | 9 - 2.2 | 22 | O-Ring | | 9 - 3.9 | 9 | O-Ring |
| R11909 | 9 - 2.2 | 23 | Plug | R11949 | 9 - 3.3 | 10 | Plug |
| R11910 | 9 - 2.2 | 24 | Plug | | 9 - 3.5 | 10 | Plug |
| R11911 | 9 - 2.2 | 25 | Retainer | | 9 - 3.9 | 10 | Plug |
| R11912 | 9 - 2.2 | 26 | Barrel - Bushing | R11950 | 9 - 3.3 | 11 | Spool |
| R11913 | 9 - 2.2 | 27 | Snap Ring | | 9 - 3.5 | 11 | Spool |
| R11914 | 9 - 2.2 | 28 | Snap Ring | | 9 - 3.9 | 11 | Spool |
| R11915 | 9 - 2.2 | 29 | Snap Ring | R11951 | 9 - 3.3 | 12 | Spring |
| R11916 | 9 - 2.2 | 30 | Capscrew | | 9 - 3.5 | 12 | Spring |
| R11917 | 9 - 2.2 | 31 | Capscrew | | 9 - 3.9 | 12 | Spring |
| R11918 | 9 - 2.2 | 34 | Piston Assembly | R11952 | 9 - 3.3 | 14 | Ball Bearing |
| R119187 | 4 - 3.11 | 26 | Carrier and Cap Asm | | 9 - 3.5 | 14 | Ball Bearing |
| R11919 | 9 - 2.2 | 40 | Housing - LH | | 9 - 3.9 | 14 | Ball Bearing |
| R11920 | 9 - 2.2 | 41 | Port Plate - LH | R11953 | 9 - 3.3 | 15 | Shuttle |
| R11921 | 9 - 2.2 | 42 | Trunnion Housing | | 9 - 3.5 | 15 | Shuttle |
| R11922 | 9 - 2.2 | 55 | Plug | | 9 - 3.9 | 15 | Shuttle |
| R11923 | 9 - 2.2 | 65 | Shaft Asm | R11954 | 9 - 3.3 | 16 | Plug |
| R11924 | 9 - 2.2 | 71 | Torque Plug Asm | | 9 - 3.5 | 16 | Plug |
| R11925 | 9 - 2.2 | 76 | Orifice Plug | | 9 - 3.9 | 16 | Plug |
| R11926 | 9 - 3.3 | A | Inlet | R11955 | 9 - 3.3 | 17 | Spring |
| | 9 - 3.9 | A | Inlet | | 9 - 3.5 | 17 | Spring |
| R11927 | 9 - 3.3 | B | Valve Section (Blade) | | 9 - 3.9 | 17 | Spring |
| | 9 - 3.9 | B | Valve Section (Blade) | R11956 | 9 - 3.3 | 18 | Spacer |
| R11928 | 9 - 3.9 | C | Valve Section (Arch & Boom) | | 9 - 3.5 | 18 | Spacer |
| R11929 | 9 - 3.3 | E | Valve Section (Motor) | | 9 - 3.9 | 18 | Spacer |
| | 9 - 3.9 | D | Valve Section (Motor) | R11957 | 9 - 3.3 | 19 | Washer |
| R11930 | 9 - 3.11 | 56 | End Cover | | 9 - 3.5 | 19 | Washer |

| Part No. | Page | Item | Description | Part No. | Page | Item | Description |
|----------|----------|------|--------------------|-----------|----------|------|-----------------|
| R11957 | 9 - 3.9 | 19 | Washer | | 9 - 3.5 | 52 | Spring |
| R11958 | 9 - 3.3 | 20 | Capscrew | R11985 | 9 - 3.11 | 53 | Capscrew |
| | 9 - 3.5 | 20 | Capscrew | | 9 - 3.5 | 53 | Capscrew |
| | 9 - 3.9 | 20 | Capscrew | R11986 | 9 - 3.11 | 54 | Relief Assembly |
| R11959 | 9 - 3.3 | 21 | Housing | | 9 - 3.5 | 54 | Relief Assembly |
| | 9 - 3.5 | 21 | Housing | R11987 | 9 - 3.11 | 55 | Plug |
| | 9 - 3.9 | 21 | Housing | | 9 - 3.5 | 55 | Plug |
| R11960 | 9 - 3.3 | 22 | Capscrew | R11988 | 9 - 3.11 | 34 | Retainer |
| | 9 - 3.5 | 22 | Capscrew | | 9 - 3.5 | 34 | Retainer |
| | 9 - 3.9 | 22 | Capscrew | R119889 | 4 - 3.3 | 28 | Stud |
| R11961 | 9 - 3.3 | 23 | Retainer | R11991 | 2 - 7.1 | | Block Heater |
| | 9 - 3.5 | 23 | Retainer | R11992854 | 1 - 5.7 | 27 | Ring |
| | 9 - 3.9 | 23 | Retainer | | 4 - 1.7 | 1 | Ring |
| R11963 | 9 - 3.3 | 25 | Capscrew | | 4 - 1.9 | 1 | Ring |
| | 9 - 3.5 | 25 | Capscrew | R11992856 | 4 - 1.3 | 29 | Gasket |
| | 9 - 3.9 | 25 | Capscrew | | 4 - 1.3 | 61 | Gasket |
| R11964 | 9 - 3.11 | 26 | Dust Cover | R11992857 | 1 - 5.7 | 71 | Sleeve |
| | 9 - 3.3 | 26 | Dust Cover | | 4 - 1.3 | 35 | Sleeve |
| | 9 - 3.3 | 26 | Dust Cover | R11992861 | 4 - 1.9 | 3 | Bearing |
| | 9 - 3.5 | 26 | Dust Cover | R11992874 | 4 - 1.11 | 21 | Ring |
| | 9 - 3.9 | 26 | Dust Cover | R11992877 | 1 - 5.5 | 60 | Ring |
| R11966 | 9 - 3.11 | 28 | Filter | R11992878 | 4 - 1.9 | 4 | Retaining Ring |
| | 9 - 3.3 | 28 | Filter | R11992879 | 4 - 1.3 | 62 | Screen Asm |
| | 9 - 3.5 | 28 | Filter | R11992881 | 4 - 1.3 | 5 | Seal |
| | 9 - 3.5 | 28 | Filter | R11992882 | 4 - 1.19 | 73 | O-Ring |
| | 9 - 3.9 | 28 | Filter | | 4 - 1.21 | 73 | O-Ring |
| R11968 | 9 - 3.3 | 30 | Cotter Pin | R11992915 | 4 - 1.11 | 24 | Ring |
| | 9 - 3.9 | 30 | Cotter Pin | | 4 - 1.7 | 9 | Ring |
| R11969 | 9 - 3.3 | 32 | Washer | | 4 - 1.9 | 10 | Ring |
| | 9 - 3.9 | 32 | Washer | R11992984 | 4 - 1.3 | 10 | Breather |
| R11970 | 9 - 3.9 | 33 | Relief Assembly | R11992990 | 4 - 1.11 | 15 | Plug |
| R11971 | 9 - 3.5 | 37 | Spool, Compensator | | 4 - 1.13 | 46 | Plug |
| | 9 - 3.9 | 37 | Spool, Compensator | | 4 - 1.3 | 72 | Plug |
| R11972 | 9 - 3.5 | 38 | Spring, Outer | R11993045 | 4 - 1.13 | 3 | Spring |
| | 9 - 3.9 | 38 | Spring, Outer | R11993328 | 4 - 1.5 | 117 | Nut |
| R11973 | 9 - 3.5 | 39 | Spring, Inner | | 4 - 1.5 | 116 | Nut |
| | 9 - 3.9 | 39 | Spring, Inner | R11993329 | 4 - 1.5 | 115 | Washer |
| R11974 | 9 - 3.5 | 40 | Housing - Primary | | 4 - 1.5 | 118 | Washer |
| | 9 - 3.9 | 40 | Housing - Primary | | 5 - 2.5 | 2 | Washer |
| R11975 | 9 - 3.5 | 41 | Relief Assembly | | 5 - 2.5 | 71 | Washer |
| | 9 - 3.9 | 41 | Relief Assembly | R12000 | 9 - 1.13 | 3 | Hose Asm |
| R11976 | 9 - 3.11 | 44 | Spring | R12000059 | 2 - 6.2 | 15 | Tube |
| | 9 - 3.5 | 44 | Spring | R12000374 | 4 - 2.5 | 5 | Retainer |
| R11977 | 9 - 3.11 | 45 | Poppet | R12001 | 6 - 1.3 | 35 | Hose Asm |
| | 9 - 3.5 | 45 | Poppet | R12001401 | 1 - 3.4 | 4 | Shaft Seal |
| R11978 | 9 - 3.11 | 46 | O-Ring | R12001706 | 4 - 3.3 | 33 | Stud |
| | 9 - 3.5 | 46 | O-Ring | R12001799 | 4 - 3.11 | 9 | Shim |
| R11979 | 9 - 3.11 | 47 | Washer | R12001914 | 1 - 5.7 | 28 | Snap Ring |
| | 9 - 3.5 | 47 | Washer | | 1 - 5.7 | 30 | Snap Ring |
| R11980 | 9 - 3.11 | 48 | Spacer | | 1 - 5.9 | 102 | Retaining Ring |
| | 9 - 3.5 | 48 | Spacer | | 4 - 1.5 | 85 | Ring Retainer |
| R11981 | 9 - 3.11 | 49 | Coupling, Detent | | 4 - 1.7 | 2 | Retaining Ring |
| | 9 - 3.5 | 49 | Coupling, Detent | | 4 - 1.9 | 2 | Retaining Ring |
| R11982 | 9 - 3.11 | 50 | Detent Housing Asm | R12002 | 9 - 1.11 | 5 | Hose Asm |
| | 9 - 3.5 | 50 | Detent Housing Asm | R12002971 | 9 - 4.4 | 8 | Ring |
| R11983 | 9 - 3.11 | 51 | Shaft | R12003 | 9 - 1.13 | 7 | Hose Asm |
| | 9 - 3.5 | 51 | Shaft | R12004 | 5 - 1.3 | 1 | Hose Asm |
| R11984 | 9 - 3.11 | 52 | Spring | | 5 - 1.5 | 1 | Hose Asm |

| Part No. | Page | Item | Description | Part No. | Page | Item | Description |
|----------|----------|------|-------------|-----------|----------|------|-------------|
| R12006 | 9 - 1.13 | 11 | Hose Asm | R12213 | 9 - 1.21 | 5 | Hose Asm |
| R12007 | 9 - 1.13 | 17 | Hose Asm | R12214 | 9 - 1.21 | 4 | Hose Asm |
| R12008 | 9 - 1.13 | 1 | Hose Asm | R12215 | 9 - 1.17 | 12 | Hose Asm |
| R12009 | 9 - 1.13 | 8 | Hose Asm | | 9 - 1.19 | 12 | Hose Asm |
| R12010 | 9 - 1.13 | 4 | Hose Asm | R12216 | 9 - 1.17 | 13 | Hose Asm |
| R12011 | 9 - 1.13 | 9 | Hose Asm | | 9 - 1.19 | 13 | Hose Asm |
| R12012 | 4 - 1.25 | 8 | Hose Asm | R12217 | 9 - 1.17 | 14 | Hose Asm |
| R12013 | 5 - 1.3 | 3 | Hose Asm | | 9 - 1.19 | 14 | Hose Asm |
| | 5 - 1.5 | 3 | Hose Asm | R12218 | 9 - 1.17 | 15 | Hose Asm |
| R12014 | 9 - 1.13 | 5 | Hose Asm | | 9 - 1.19 | 15 | Hose Asm |
| R12015 | 9 - 1.13 | 6 | Hose Asm | R12219 | 9 - 1.17 | 16 | Hose Asm |
| R12016 | 4 - 1.25 | 64 | Hose Asm | | 9 - 1.19 | 16 | Hose Asm |
| R120168 | 4 - 3.9 | 20 | Stud | R12220 | 9 - 1.17 | 17 | Hose Asm |
| R12018 | 9 - 1.13 | 12 | Hose Asm | | 9 - 1.19 | 17 | Hose Asm |
| R12019 | 2 - 5.1 | 14 | Hose Asm | R12221 | 9 - 1.17 | 18 | Hose Asm |
| R12020 | 9 - 1.13 | 2 | Hose Asm | | 9 - 1.19 | 18 | Hose Asm |
| R12021 | 9 - 1.13 | 10 | Hose Asm | R12222 | 9 - 1.17 | 19 | Hose Asm |
| R120218 | 4 - 3.9 | 16 | Stud | | 9 - 1.19 | 19 | Hose Asm |
| R12022 | 5 - 1.3 | 4 | Hose Asm | R12223 | 9 - 1.4 | 10 | Hose Asm |
| | 5 - 1.5 | 4 | Hose Asm | R12224 | 9 - 1.4 | 11 | Hose Asm |
| R12025 | 9 - 1.17 | 27 | Hose Asm | R12275 | 2 - 4.1 | 2 | Hose Asm |
| | 9 - 1.19 | 27 | Hose Asm | R12300 | 4 - 1.25 | 12 | Hose Asm |
| R12026 | 8 - 2.5 | 11 | Hose Asm | R12301 | 4 - 1.25 | 13 | Hose Asm |
| R12027 | 9 - 1.17 | 25 | Hose Asm | R12302 | 4 - 1.25 | 14 | Hose Asm |
| | 9 - 1.19 | 25 | Hose Asm | R12303 | 6 - 1.3 | 16 | Hose Asm |
| R12028 | 9 - 1.17 | 26 | Hose Asm | | 9 - 1.3 | 26 | Hose Asm |
| | 9 - 1.19 | 26 | Hose Asm | R12304 | 6 - 1.3 | 4 | Hose Asm |
| R12100 | 4 - 1.25 | 9 | Hose Asm | | 6 - 1.5 | 4 | Hose Asm |
| R12101 | 6 - 1.3 | 12 | Hose Asm | R12325 | 9 - 1.21 | 2 | Hose Asm |
| | 6 - 1.5 | 12 | Hose Asm | R12326 | 9 - 1.21 | 3 | Hose Asm |
| R12102 | 6 - 1.3 | 13 | Hose Asm | | 9 - 1.5 | 10 | Hose Asm |
| | 6 - 1.5 | 13 | Hose Asm | R12350 | 9 - 1.17 | 31 | Hose Asm |
| R12103 | 4 - 1.25 | 10 | Hose Asm | | 9 - 1.19 | 31 | Hose Asm |
| R12104 | 9 - 1.11 | 9 | Hose Asm | | 9 - 1.21 | 7 | Hose Asm |
| R12106 | 9 - 1.11 | 4 | Hose Asm | R12351 | 9 - 1.21 | 6 | Hose Asm |
| R12107 | 9 - 1.11 | 7 | Hose Asm | R12352 | 9 - 1.21 | 9 | Hose Asm |
| R12108 | 4 - 1.25 | 11 | Hose Asm | R12353 | 9 - 1.21 | 8 | Hose Asm |
| R12109 | 9 - 1.11 | 6 | Hose Asm | R12354 | 9 - 1.17 | 28 | Hose Asm |
| R12110 | 5 - 1.3 | 2 | Hose Asm | | 9 - 1.19 | 28 | Hose Asm |
| | 5 - 1.5 | 2 | Hose Asm | R12355 | 9 - 1.17 | 29 | Hose Asm |
| R12112 | 5 - 1.3 | 5 | Hose Asm | | 9 - 1.19 | 29 | Hose Asm |
| | 5 - 1.5 | 5 | Hose Asm | R12356 | 9 - 1.17 | 30 | Hose Asm |
| R12113 | 5 - 1.3 | 6 | Hose Asm | | 9 - 1.19 | 30 | Hose Asm |
| R12114 | 9 - 1.11 | 3 | Hose Asm | R123748 | 4 - 3.5 | 37 | Nut |
| R12201 | 9 - 1.9 | 14 | Hose Asm | R123749 | 4 - 3.11 | 37 | Nut |
| R12202 | 9 - 1.9 | 15 | Hose Asm | R123831 | 4 - 3.5 | 41 | Bolt |
| R12203 | 6 - 1.3 | 5 | Hose Asm | R123832 | 4 - 3.11 | 41 | Bolt |
| | 6 - 1.5 | 5 | Hose Asm | R12400 | 4 - 1.25 | 15 | Hose Asm |
| | 9 - 1.9 | 16 | Hose Asm | R124158 | 4 - 3.9 | 11 | Screw |
| R12206 | 6 - 1.3 | 1 | Hose Asm | R12500 | 6 - 1.3 | 17 | Hose Asm |
| | 6 - 1.5 | 1 | Hose Asm | | 9 - 1.23 | 5 | Hose Asm |
| R12207 | 6 - 1.3 | 14 | Hose Asm | R12501 | 9 - 1.6 | 2 | Hose Asm |
| R12208 | 6 - 1.3 | 15 | Hose Asm | | 9 - 1.7 | 2 | Hose Asm |
| | 6 - 1.5 | 15 | Hose Asm | R125578 | 4 - 3.5 | 8 | Shim |
| R12209 | 9 - 1.7 | 14 | Hose Asm | R125579 | 4 - 3.5 | 9 | Shim |
| R12210 | 6 - 1.3 | 2 | Hose Asm | R12569926 | 6 - 1.5 | 8 | Washer |
| | 6 - 1.5 | 2 | Hose Asm | | 8 - 2.2 | 8 | Washer |
| R12211 | 9 - 1.11 | 8 | Hose Asm | R12570351 | 2 - 7.4 | 1 | Bracket |

| Part No. | Page | Item | Description | Part No. | Page | Item | Description |
|-----------|----------|------|-------------------------|-----------|----------|------|-----------------------------------|
| R12571289 | 7 - 1.1 | 10 | Plate, LH | R12600081 | 4 - 3.1 | 7 | Axle |
| R12571290 | 7 - 1.1 | 11 | Plate, RH | | 4 - 3.9 | | Axle Assembly |
| R12572528 | 1 - 4.1 | 23 | Bushing | R12600158 | 7 - 1.1 | 1 | Frame Wldmt |
| R12573856 | 1 - 3.2 | 3 | Sprocket | R12601 | 4 - 1.25 | 18 | Hose Asm |
| R12573857 | 1 - 3.2 | 4 | Nut Retainer | R12602 | 9 - 1.11 | 12 | Hose Asm |
| R12574410 | 1 - 5.2 | 8 | Rod End | R12607028 | 4 - 3.3 | 19 | Axle Housing |
| R12574706 | 6 - 1.3 | 8 | Pin Asm | R12607029 | 4 - 3.3 | 5 | Shaft, Axle |
| | 6 - 2.2 | 10 | Pin Asm | R12607065 | 4 - 3.3 | 13 | Hub & Cup Asm |
| | 9 - 1.17 | 4 | Pin Asm | R12607067 | 4 - 3.5 | 26 | Carrier and Cap Asm |
| | 9 - 1.19 | 4 | Pin Asm | R12607068 | 4 - 3.3 | 29 | Diff. & Carrier |
| | 9 - 1.9 | 3 | Pin Asm | | 4 - 3.5 | | Differential and Carrier Assembly |
| R12574707 | 4 - 1.25 | 68 | Declutch | R12607069 | 4 - 1.7 | 6 | Gear |
| | 4 - 1.28 | | Declutch Solenoid Valve | | 4 - 1.9 | 7 | Gear |
| R12574777 | 4 - 1.1 | 11 | Transmission | R12607070 | 4 - 3.9 | 5 | Shaft, Axle |
| | 4 - 1.3 | | Transmission Assembly | R12607071 | 4 - 3.9 | 13 | Hub & Cup Asm |
| R12575622 | 4 - 2.1 | 3 | Driveline | R12607073 | 4 - 3.9 | 21 | Spindle |
| | 4 - 2.4 | | Driveline | R12607074 | 4 - 3.11 | | Differential and Carrier Assembly |
| R12575700 | 2 - 1.1 | | Fan, Suction | | 4 - 3.9 | 29 | Differential & Carrier |
| R12575959 | 9 - 3.1 | 30 | Trim, Edge | R12607076 | 4 - 3.11 | 15 | Seal |
| | 9 - 3.7 | 30 | Trim | R12607078 | 4 - 3.11 | | Differential Body Asm |
| R12577316 | 4 - 1.5 | 114 | Flange | | 4 - 3.11 | | Differential Case Asm |
| R12577372 | 2 - 4.1 | 10 | Strainer | R12607079 | 4 - 3.11 | 3 | No-Spin Unit |
| R12577380 | 9 - 4.4 | 4 | Retainer Ring | R12607080 | 4 - 3.12 | 3 | Screw |
| R12577642 | 2 - 4.1 | 23 | Fitting | R12607082 | 4 - 1.3 | 23 | Gear |
| R12577865 | 9 - 1.11 | 13 | Guide, Hose | R12607103 | 1 - 5.5 | 68 | Nut |
| R12577880 | 2 - 4.1 | 4 | Sleeve | | 1 - 5.9 | 100 | Nut |
| | 5 - 1.3 | 10 | Sleeve | R12607104 | 1 - 5.7 | 26 | Bolt |
| | 5 - 1.5 | 10 | Sleeve | | 1 - 5.7 | 73 | Bolt |
| | 9 - 1.17 | 42 | Sleeve | R12607105 | 1 - 5.7 | 68 | Bolt & Lockwasher |
| | 9 - 1.19 | 42 | Sleeve | R12607106 | 1 - 5.7 | 76 | Cone |
| | 9 - 1.4 | 12 | Sleeve | R12607107 | 1 - 5.7 | 77 | Cup |
| | 9 - 1.5 | 11 | Sleeve | R12607108 | 1 - 5.7 | 79 | Cup |
| R12577881 | 8 - 3.3 | 35 | Sleeve | R12607109 | 1 - 5.7 | 98 | Stud |
| | 9 - 1.21 | 10 | Sleeve | R12607110 | 1 - 5.7 | 24 | Race |
| | 9 - 1.9 | 19 | Sleeve | R12607111 | 1 - 5.7 | 66 | Cover |
| R12577882 | 6 - 1.3 | 6 | Sleeve | R12607112 | 1 - 5.7 | 70 | Tube |
| | 6 - 1.5 | 6 | Sleeve | R12607113 | 1 - 5.5 | 41 | Drum, Cable |
| | 9 - 1.11 | 10 | Sleeve | R12607114 | 1 - 5.5 | 62 | Adapter |
| R12578491 | 8 - 3.17 | 8 | Wire Harness | R12607115 | 1 - 5.5 | 63 | Case |
| R12579693 | 1 - 6.1 | 1 | Hose Asm | R12607116 | 1 - 5.7 | 72 | Lockwasher |
| R12579694 | 1 - 6.1 | 2 | Hose Asm | | 1 - 5.7 | 25 | Lockwasher |
| R12580128 | 1 - 4.1 | 24 | Pin | | 1 - 5.9 | 99 | Lockwasher |
| R12580789 | 1 - 4.1 | 3 | Grapple Box | R12607117 | 1 - 5.5 | 68 | Lockwasher |
| R12581162 | 0 - 3.1 | 27 | Plate | R12607118 | 1 - 5.5 | 68 | Stud |
| | 0 - 3.2 | 27 | Plate | R12607119 | 1 - 5.5 | 41 | Retainer |
| R12581247 | 1 - 4.1 | 4 | Yoke | R12607120 | 1 - 5.5 | 41 | Capscrew |
| R12588316 | 4 - 1.5 | 120 | Flange | R12607122 | 1 - 5.5 | 11 | Cap |
| R1259902 | 4 - 3.1 | 5 | Hose | R12607136 | 9 - 4.2 | | Seal Kit |
| R12600 | 4 - 1.25 | 17 | Hose Asm | R12607137 | 2 - 5.2 | 4 | Primary Filter Element |
| R12600003 | 1 - 4.1 | 1 | Grapple Arm, LH | R12607138 | 2 - 5.2 | 5 | Safety Filter Element |
| R12600004 | 1 - 4.1 | 20 | Grapple Arm, RH | R12607139 | 9 - 4.5 | | Seal Kit |
| R12600012 | 1 - 5.1 | 10 | Washer | R12607832 | 4 - 3.3 | 21 | Spindle |
| R12600016 | 4 - 4.1 | 1 | Rim Assembly | R12650 | 4 - 1.25 | 19 | Hose Asm |
| R12600019 | 4 - 4.1 | 1 | Rim Assembly | R12697121 | 1 - 5.5 | 61 | Drain Hose Asm |
| | 4 - 4.1 | 1 | Rim Assembly | R12700 | 9 - 1.3 | 25 | Hose Asm |
| R12600026 | 4 - 4.1 | 1 | Rim Assembly | | 9 - 1.6 | 3 | Hose Asm |
| R12600043 | 4 - 3.1 | 6 | Axle | | 9 - 1.7 | 3 | Hose Asm |
| | 4 - 3.3 | | Axle Assembly | R127819 | 4 - 3.3 | 18 | Bearing Cone |

| Part No. | Page | Item | Description | Part No. | Page | Item | Description |
|------------|----------|------|-------------------------------|----------|----------|------|--------------------------------|
| R128401 | 4 - 3.5 | 43 | Seal | | 8 - 1.3 | 19 | Weldment, Filter Door |
| R12869 | 5 - 1.5 | 46 | Pad | R13021 | 8 - 1.11 | 21 | Door Retaining Strap |
| R12900 | 2 - 4.1 | 3 | Hose Asm | | 8 - 1.3 | 21 | Door Retaining Strap |
| R129001932 | 1 - 5.5 | 59 | Bearing | R13023 | 8 - 1.11 | 23 | Cover, Dash - LH |
| R12968390 | 9 - 1.1 | 14A | Filter | | 8 - 1.3 | 23 | Cover, Dash - LH |
| R12968393 | 4 - 2.5 | 2 | Spider Asm | R13024 | 8 - 1.11 | 24 | Cover, Dash - RH |
| R12968398 | 4 - 2.3 | 3 | Yoke Asm | | 8 - 1.3 | 24 | Cover, Dash - RH |
| R12969532 | 1 - 5.3 | 9 | Snap Ring | R13025 | 8 - 1.11 | 25 | Bolt |
| | 4 - 1.13 | 41 | Snap Ring | | 8 - 1.3 | 25 | Bolt |
| | 4 - 1.13 | 25 | Snap Ring | R13026 | 8 - 1.11 | 26 | Washer |
| R12969570 | 4 - 2.4 | | Sevice Kit | | 8 - 1.3 | 26 | Washer |
| R12973126 | 4 - 1.28 | 4 | Seal Kit | R13027 | 8 - 1.11 | 27 | Washer |
| R12973127 | 4 - 1.28 | 3 | Cartridge | | 8 - 1.3 | 27 | Washer |
| R12973129 | 4 - 1.28 | 5 | Body | R13028 | 8 - 1.11 | 28 | Operators Manual Holder |
| R12973189 | 4 - 2.4 | 3 | Yoke Asm | | 8 - 1.3 | 28 | Operators Manual Holder |
| R12973190 | 4 - 2.4 | 7 | Propshaft | R13029 | 8 - 1.11 | 29 | Bolt |
| R12973493 | 4 - 1.11 | 5 | Clutch, Piston | | 8 - 1.3 | 29 | Bolt |
| | 4 - 1.7 | 20 | Clutch, Piston Kit | R13030 | 8 - 1.11 | 30 | Nut |
| | 4 - 1.9 | 21 | Clutch, Piston Kit | | 8 - 1.3 | 30 | Nut |
| R12973494 | 4 - 1.7 | 16 | Clutch, Piston | R13031 | 8 - 1.11 | 31 | Grab Handle, Door |
| | 4 - 1.9 | 17 | Clutch, Piston | | 8 - 1.3 | 31 | Grab Handle, Door |
| R12973870 | 4 - 1.11 | 25 | Kit, Retainer | R13033 | 8 - 1.11 | 33 | Nut |
| R12973876 | 4 - 1.5 | 128 | Cone | | 8 - 1.3 | 33 | Nut |
| R12973878 | 1 - 5.7 | 29 | Bearing | R13034 | 8 - 1.11 | 34 | Striker Weldment - LH |
| | 1 - 5.9 | 111 | Bearing | | 8 - 1.3 | 34 | Striker Weldment - LH |
| R12974639 | 4 - 3.11 | 22 | Nut | R13035 | 8 - 1.11 | 35 | Shim, Striker Plate |
| R12974771 | 4 - 1.19 | 82 | Ring Gear Kit | | 8 - 1.3 | 35 | Shim, Striker Plate |
| R12974772 | 4 - 1.7 | 11 | Spring Kit | R13037 | 8 - 1.11 | 37 | Weldment, Striker Bracket - RH |
| | 4 - 1.9 | 12 | Spring Kit | | 8 - 1.3 | 37 | Weldment, Striker Bracket - RH |
| R12974965 | 5 - 2.5 | 14 | Cone | R13038 | 8 - 1.11 | 38 | Shim, Striker |
| | 5 - 2.5 | 42 | Cone | | 8 - 1.3 | 38 | Shim, Striker |
| R12975022 | 5 - 2.5 | 13 | Cup | R13039 | 8 - 1.11 | 39 | Foam |
| | 5 - 2.5 | 43 | Cup | | 8 - 1.3 | 39 | Foam |
| R13001 | 8 - 1.11 | 1 | Cab Weldment | R13040 | 8 - 1.11 | 40 | Lens, Front Light |
| | 8 - 1.3 | 1 | Cab Weldment | | 8 - 1.3 | 40 | Lens, Front Light |
| R13002 | 8 - 1.3 | 2 | Door Assembly - RH | R13041 | 8 - 1.11 | 41 | Bolt |
| | 8 - 1.7 | | Door Assembly - RH | | 8 - 1.13 | 41 | Bolt |
| R13003 | 8 - 1.3 | 3 | Door Assembly - LH | | 8 - 1.15 | 17 | Bolt |
| | 8 - 1.9 | | Door Assembly - LH | | 8 - 1.17 | 17 | Bolt |
| R13004 | 8 - 1.3 | 4 | Front Window Frame | | 8 - 1.3 | 41 | Bolt |
| R13005 | 8 - 1.3 | 5 | Front Window | | 8 - 1.5 | 41 | Bolt |
| R13006 | 8 - 1.3 | 6 | Front Side Window | | 8 - 1.7 | 17 | Bolt |
| R13007 | 8 - 1.3 | 7 | Frame, Front Side Window - LH | | 8 - 1.9 | 17 | Bolt |
| R13008 | 8 - 1.3 | 8 | Rear Side Window | R13042 | 8 - 1.11 | 42 | Washer |
| R13009 | 8 - 1.3 | 9 | Weldment, Frame - LH | | 8 - 1.3 | 42 | Washer |
| R13010 | 8 - 1.3 | 10 | Rear Window | R13043 | 8 - 1.11 | 43 | Wire Harness Cover |
| R13011 | 8 - 1.3 | 11 | Frame, Rear Window | | 8 - 1.3 | 43 | Wire Harness Cover |
| R13012 | 8 - 1.3 | 12 | Weldment, Frame - RH | R13044 | 8 - 1.11 | 44 | Screw |
| R13013 | 8 - 1.11 | 13 | Screen, Front Side - RH | | 8 - 1.13 | 44 | Screw |
| | 8 - 1.3 | 13 | Frame, Front Side Window | | 8 - 1.3 | 44 | Screw |
| R13015 | 8 - 1.3 | 15 | Thresold - RH | | 8 - 1.5 | 44 | Screw |
| R13016 | 8 - 1.11 | 16 | Ash Tray | R13045 | 8 - 1.11 | 45 | Screw |
| | 8 - 1.3 | 16 | Ash Tray | | 8 - 1.3 | 45 | Screw |
| R1301610 | 5 - 2.2 | 10 | Pipe | R13046 | 8 - 1.11 | 46 | Bolt |
| | 5 - 2.2 | 18 | Pipe | | 8 - 1.3 | 46 | Bolt |
| R13017 | 8 - 1.3 | 17 | Threshold - LH | R13047 | 8 - 1.11 | 47 | Rivnut |
| R13018 | 8 - 1.3 | 18 | Air Filter | | 8 - 1.13 | 47 | Rivnut |
| R13019 | 8 - 1.11 | 19 | Weldment, Filter Door | | 8 - 1.15 | 10 | Rivnut |

| Part No. | Page | Item | Description | Part No. | Page | Item | Description |
|----------|----------|------|----------------------------|----------|----------|------|--------------------|
| R13047 | 8 - 1.17 | 10 | Rivnut | | 8 - 1.5 | 71 | Neoprene |
| | 8 - 1.3 | 47 | Rivnut | R1307115 | 5 - 2.2 | 4 | Grommet |
| | 8 - 1.5 | 47 | Rivnut | R13072 | 8 - 1.13 | 72 | Strip |
| | 8 - 1.7 | 10 | Rivnut | | 8 - 1.5 | 72 | Strip |
| | 8 - 1.9 | 10 | Rivnut | R13073 | 8 - 1.13 | 73 | Strip |
| R13048 | 8 - 1.11 | 48 | Bolt | | 8 - 1.5 | 73 | Strip |
| | 8 - 1.3 | 48 | Bolt | R13074 | 8 - 1.13 | 74 | Decal |
| R13049 | 8 - 1.11 | 49 | Bolt | | 8 - 1.5 | 74 | Decal |
| | 8 - 1.3 | 49 | Bolt | R13075 | 8 - 1.13 | 75 | Serial NoTag |
| R13050 | 8 - 1.11 | 50 | Striker | | 8 - 1.5 | 75 | Serial NoTag |
| | 8 - 1.3 | 50 | Striker | R13076 | 8 - 1.13 | 76 | Pop Rivet |
| R13051 | 8 - 1.13 | 51 | Control Panel CompAssembly | | 8 - 1.5 | 76 | Pop Rivet |
| | 8 - 1.5 | 51 | Control Panel CompAssembly | R13077 | 8 - 1.11 | 77 | Plug |
| R13052 | 8 - 1.13 | 52 | Washer | | 8 - 1.3 | 77 | Plug |
| | 8 - 1.5 | 52 | Washer | R13078 | 8 - 1.11 | 78 | Plug |
| R13053 | 8 - 1.13 | 53 | Cover, Speaker | | 8 - 1.3 | 78 | Plug |
| | 8 - 1.5 | 53 | Cover, Speaker | R13079 | 8 - 1.13 | 79 | Visor |
| R13054 | 8 - 1.11 | 54 | Front Console Cover | | 8 - 1.5 | 79 | Visor |
| | 8 - 1.13 | 54 | Front Console Cover | R13080 | 8 - 1.13 | 80 | Cover, Radio |
| | 8 - 1.3 | 54 | Front Console Cover | | 8 - 1.5 | 80 | Cover, Radio |
| | 8 - 1.5 | 54 | Front Console Cover | R13081 | 8 - 1.11 | 81 | Striker Gaurd |
| R13055 | 8 - 1.11 | 55 | Front Insulation | | 8 - 1.3 | 81 | Striker Gaurd |
| | 8 - 1.3 | 55 | Front Insulation | R13082 | 8 - 1.13 | 82 | Nut |
| R13056 | 8 - 1.13 | 56 | Seat Plate Weldment | | 8 - 1.15 | 28 | Washer |
| | 8 - 1.5 | 56 | Seat Plate Weldment | | 8 - 1.17 | 28 | Washer |
| R13057 | 8 - 1.13 | 57 | Bolt | | 8 - 1.5 | 82 | Nut |
| | 8 - 1.5 | 57 | Bolt | | 8 - 1.7 | 28 | Washer |
| R13058 | 8 - 1.13 | 58 | Cover, Floor | | 8 - 1.9 | 28 | Washer |
| | 8 - 1.5 | 58 | Cover, Floor | R13083 | 8 - 1.13 | 83 | Hinge |
| R13059 | 8 - 1.13 | 59 | Cover, Floor | | 8 - 1.5 | 83 | Hinge |
| | 8 - 1.5 | 59 | Cover, Floor | R13084 | 8 - 1.11 | 84 | Screw |
| R13060 | 8 - 1.5 | 60 | Floor Mat | | 8 - 1.13 | 84 | Screw |
| R13061 | 8 - 1.13 | 61 | Panel, Side Console | | 8 - 1.3 | 84 | Screw |
| | 8 - 1.5 | 61 | Panel, Side Console | | 8 - 1.5 | 84 | Screw |
| R13062 | 8 - 1.13 | 62 | Rear, Plate Weldment | R13085 | 8 - 1.15 | 16 | Bolt |
| | 8 - 1.5 | 62 | Rear, Plate Weldment | | 8 - 1.17 | 16 | Bolt |
| R13063 | 8 - 1.13 | 63 | Neophrane | | 8 - 1.7 | 16 | Bolt |
| | 8 - 1.5 | 63 | Neophrane | | 8 - 1.9 | 16 | Bolt |
| R13064 | 8 - 1.11 | 64 | Spray Adhesive | R13088 | 8 - 1.11 | 8 | Plug |
| | 8 - 1.13 | 64 | Spray Adhesive | | 8 - 1.11 | 88 | Plug |
| | 8 - 1.3 | 64 | Spray Adhesive | | 8 - 1.13 | 88 | Plug |
| | 8 - 1.5 | 64 | Spray Adhesive | | 8 - 1.3 | 88 | Plug |
| | 8 - 1.7 | 35 | Spray Adhesive | | 8 - 1.5 | 88 | Plug |
| | 8 - 1.9 | 35 | Spray Adhesive | R13089 | 8 - 1.11 | 18 | Washer |
| R13065 | 8 - 1.13 | 65 | Tape | | 8 - 1.11 | 89 | Washer |
| | 8 - 1.5 | 65 | Tape | | 8 - 1.13 | 89 | Washer |
| R13066 | 8 - 1.13 | 66 | Cover, Seat Suport | | 8 - 1.3 | 89 | Washer |
| | 8 - 1.5 | 66 | Cover, Seat Suport | | 8 - 1.5 | 89 | Washer |
| R13067 | 8 - 1.11 | 67 | Cover, Lower Front | R13090 | 8 - 1.11 | 14 | Bolt |
| | 8 - 1.3 | 67 | Cover, Lower Front | | 8 - 1.11 | 90 | Bolt |
| R13068 | 8 - 1.11 | 68 | Washer Nozzle Kit | | 8 - 1.13 | 90 | Bolt |
| | 8 - 1.3 | 68 | Washer Nozzle Kit | | 8 - 1.3 | 90 | Bolt |
| R13069 | 8 - 1.11 | 6 | Grommet | | 8 - 1.5 | 90 | Bolt |
| | 8 - 1.11 | 69 | Grommet | R13091 | 8 - 1.11 | 2 | Door Assembly - RH |
| | 8 - 1.3 | 69 | Grommet | | 8 - 1.15 | | Door Assembly - RH |
| R13070 | 8 - 1.13 | 70 | Neoprene | R13092 | 8 - 1.17 | | Door Assembly - LH |
| | 8 - 1.5 | 70 | Neoprene | R13093 | 8 - 1.11 | 4 | Front Window Frame |
| R13071 | 8 - 1.13 | 71 | Neoprene | R13094 | 8 - 1.11 | 5 | Plug |

| Part No. | Page | Item | Description | Part No. | Page | Item | Description |
|----------|----------|------|-------------------------|----------|----------|------|-------------------------|
| R13095 | 8 - 1.11 | 7 | Screen, Front Side - LH | | 8 - 1.7 | 20 | Spring |
| R13096 | 8 - 1.11 | 9 | Screen, Rear Side - LH | | 8 - 1.9 | 20 | Spring |
| R13097 | 8 - 1.11 | 11 | Screen, Rear | R13117 | 8 - 1.15 | 21 | Screw |
| R13098 | 8 - 1.11 | 12 | Screen, Rear Side - RH | | 8 - 1.17 | 21 | Screw |
| R13101 | 8 - 1.17 | 1 | Weldment, Door - LH | | 8 - 1.7 | 21 | Screw |
| | 8 - 1.9 | 1 | Weldment, Door - LH | | 8 - 1.9 | 21 | Screw |
| R13102 | 8 - 1.17 | 2 | Frame, Door Screen - LH | R13119 | 8 - 1.15 | 23 | Grip |
| | 8 - 1.9 | 2 | Frame, Door Screen - LH | | 8 - 1.17 | 23 | Grip |
| R13104 | 8 - 1.15 | 4 | Cable | | 8 - 1.7 | 23 | Grip |
| | 8 - 1.17 | 4 | Cable | | 8 - 1.9 | 23 | Grip |
| | 8 - 1.7 | 4 | Cable | R13120 | 8 - 1.15 | 24 | Nut |
| | 8 - 1.9 | 4 | Cable | | 8 - 1.17 | 24 | Nut |
| R13105 | 8 - 1.15 | 5 | Bolt | | 8 - 1.7 | 24 | Nut |
| | 8 - 1.17 | 5 | Bolt | | 8 - 1.9 | 24 | Nut |
| | 8 - 1.7 | 5 | Bolt | R13121 | 8 - 1.15 | 25 | Latch |
| | 8 - 1.9 | 5 | Bolt | | 8 - 1.17 | 25 | Latch |
| R13106 | 8 - 1.15 | 6 | Seal | | 8 - 1.7 | 25 | Latch |
| | 8 - 1.17 | 6 | Seal | | 8 - 1.9 | 25 | Latch |
| | 8 - 1.7 | 6 | Seal | R13122 | 8 - 1.15 | 26 | Washer |
| | 8 - 1.9 | 6 | Seal | | 8 - 1.17 | 26 | Washer |
| R13107 | 8 - 1.15 | 7 | Screw | | 8 - 1.7 | 26 | Washer |
| | 8 - 1.17 | 7 | Screw | | 8 - 1.9 | 26 | Washer |
| | 8 - 1.7 | 7 | Screw | | 8 - 3.17 | 37 | Washer |
| | 8 - 1.9 | 7 | Screw | R13123 | 8 - 1.15 | 27 | Washer |
| R1310785 | 5 - 1.3 | 37 | Elbow | | 8 - 1.17 | 27 | Washer |
| | 5 - 1.5 | 37 | Elbow | | 8 - 1.7 | 27 | Washer |
| R13108 | 8 - 1.15 | 9 | Bolt | | 8 - 1.9 | 27 | Washer |
| | 8 - 1.17 | 9 | Bolt | R13124 | 8 - 1.15 | 29 | Washer |
| | 8 - 1.7 | 9 | Bolt | | 8 - 1.7 | 29 | Washer |
| | 8 - 1.9 | 9 | Bolt | | 8 - 1.9 | 29 | Washer |
| R13109 | 8 - 1.15 | 11 | Spring | R13125 | 8 - 1.15 | 1 | Weldment, Door - RH |
| | 8 - 1.17 | 11 | Spring | | 8 - 1.7 | 1 | Weldment, Door - RH |
| | 8 - 1.7 | 11 | Spring | R13126 | 8 - 1.15 | 2 | Frame, Door Screen - RH |
| | 8 - 1.9 | 11 | Spring | | 8 - 1.7 | 2 | Frame, Door Screen - RH |
| R13110 | 8 - 1.15 | 12 | Door Bushing | R13127 | 8 - 1.15 | 15 | Latch |
| | 8 - 1.17 | 12 | Door Bushing | | 8 - 1.7 | 15 | Latch |
| | 8 - 1.7 | 12 | Door Bushing | R13128 | 8 - 1.15 | 22 | Handle |
| | 8 - 1.9 | 12 | Door Bushing | | 8 - 1.17 | 22 | Handle |
| R13111 | 8 - 1.15 | 13 | Washer | | 8 - 1.7 | 22 | Handle |
| | 8 - 1.17 | 13 | Washer | | 8 - 1.9 | 22 | Handle |
| | 8 - 1.7 | 13 | Washer | R13129 | 8 - 1.15 | 3 | Cover, Padded |
| | 8 - 1.9 | 13 | Washer | | 8 - 1.17 | 3 | Cover, Padded |
| R13112 | 8 - 1.15 | 14 | Nut | | 8 - 1.7 | 3 | Cover, Padded |
| | 8 - 1.17 | 14 | Nut | | 8 - 1.9 | 3 | Cover, Padded |
| | 8 - 1.7 | 14 | Nut | R13130 | 8 - 1.7 | 30 | Washer |
| | 8 - 1.9 | 14 | Nut | | 8 - 1.9 | 30 | Washer |
| R13113 | 8 - 1.17 | 15 | Latch | R13131 | 8 - 1.7 | 31 | Insulation |
| | 8 - 1.9 | 15 | Latch | | 8 - 1.9 | 31 | Insulation |
| R13114 | 8 - 1.15 | 18 | Stud | R1313117 | 8 - 2.9 | 4 | Spacer |
| | 8 - 1.17 | 18 | Stud | R13132 | 8 - 1.7 | 32 | Sliding Window |
| | 8 - 1.7 | 18 | Stud | | 8 - 1.9 | 32 | Sliding Window |
| | 8 - 1.9 | 18 | Stud | R13133 | 8 - 1.7 | 33 | Tape |
| R13115 | 8 - 1.15 | 19 | Clip | | 8 - 1.9 | 33 | Tape |
| | 8 - 1.17 | 19 | Clip | R13134 | 8 - 1.7 | 34 | Urethane |
| | 8 - 1.7 | 19 | Clip | | 8 - 1.9 | 34 | Urethane |
| | 8 - 1.9 | 19 | Clip | R13139 | 8 - 1.11 | 20 | Bolt |
| R13116 | 8 - 1.15 | 20 | Spring | | 8 - 1.13 | 20 | Bolt |
| | 8 - 1.17 | 20 | Spring | | 8 - 1.3 | 20 | Bolt |

| Part No. | Page | Item | Description | Part No. | Page | Item | Description |
|-----------|----------|------|--------------------------------------|-----------|----------|------|-------------|
| R13139 | 8 - 1.5 | 20 | Bolt | R13800194 | 4 - 1.19 | 5 | Screw |
| R13140 | 8 - 1.11 | 32 | Bolt | | 4 - 1.21 | 5 | Screw |
| | 8 - 1.3 | 32 | Bolt | R13800203 | 4 - 1.13 | 21 | Screw |
| R13143 | 8 - 1.11 | 93 | Spacer Block | | 4 - 1.3 | 75 | Screw |
| | 8 - 1.3 | 93 | Spacer Block | R13800215 | 4 - 1.15 | 13 | Screw |
| R13144 | 8 - 1.11 | 92 | Cover, Valve Console | | 4 - 1.19 | 32 | Screw |
| | 8 - 1.3 | 92 | Cover, Valve Console | | 4 - 1.21 | 32 | Screw |
| R13145 | 8 - 1.11 | 91 | Nut | | 5 - 2.5 | 5 | Screw |
| | 8 - 1.3 | 91 | Nut | R13800216 | 1 - 5.7 | 68 | Bolt |
| R13148 | 8 - 1.11 | 94 | Seal | R13800217 | 5 - 2.5 | 28 | Screw |
| | 8 - 1.3 | 94 | Seal | R13800220 | 4 - 1.3 | 48 | Screw |
| R13149 | 8 - 1.11 | 95 | Insulation, Outside Front Panel | R13800222 | 4 - 1.3 | 26 | Screw |
| | 8 - 1.3 | 95 | Insulation, Outside Front Panel | R13800224 | 4 - 1.15 | 31 | Screw |
| R13150 | 8 - 1.3 | 14 | Headliner | R13800225 | 4 - 1.3 | 32 | Screw |
| R1317062 | 2 - 4.1 | 26 | Hose, Fuel | R13800234 | 1 - 5.7 | 92 | Bolt |
| R1318083 | 1 - 3.2 | 5 | Cup, Bearing | | 4 - 1.19 | 49 | Screw |
| R1318084 | 1 - 3.2 | 6 | Cone, Bearing | | 4 - 1.21 | 49 | Screw |
| R1324396 | 4 - 3.12 | 6 | Roller | R13800235 | 1 - 5.5 | 17 | Bolt |
| R1325693 | 8 - 2.9 | 5 | Bolt | R13800247 | 1 - 5.7 | 46 | Bolt |
| R13401 | 1 - 5.7 | 4 | Piston | R13800253 | 4 - 1.5 | 122 | Screw |
| R13402 | 1 - 5.7 | 94 | Bearing | R13800256 | 4 - 1.5 | 113 | Screw |
| R13403 | 1 - 5.7 | 94A | Spacer | R13800351 | 4 - 1.16 | 4 | Cotter Pin |
| R13404 | 1 - 5.7 | 78 | Ring Gear and Pinion | | 8 - 2.1 | 4 | Pin |
| R13405 | 1 - 5.7 | 78 | Bolt | | 8 - 2.9 | 6 | Pin |
| R13408 | 9 - 1.2 | 59 | Hose | | 9 - 1.9 | 35 | Pin, Cotter |
| | 9 - 1.3 | 10 | Hose | | 9 - 3.1 | 19 | Pin, Cotter |
| | 9 - 6.1 | 16 | Hose, Bulk | | 9 - 3.7 | 19 | Pin, Cotter |
| R13409 | 9 - 1.2 | 23 | Fitting | R13800364 | 9 - 1.9 | 28 | Pin, Cotter |
| | 9 - 1.3 | 5 | Fitting | R13800374 | 1 - 4.1 | 14 | Pin |
| R13410 | 9 - 6.1 | 10 | Fitting | R13800451 | 4 - 1.3 | 52 | Rivet |
| R13425 | 6 - 1.5 | | Steering System Plumbing | R13800713 | 4 - 1.3 | 40 | Screw |
| R13427 | 6 - 1.5 | 14 | Hose Asm | R13800798 | 4 - 1.3 | 30 | Screw |
| R13428 | 6 - 1.5 | | Steering & Valve | R13800826 | 4 - 1.26 | 4 | Washer |
| R13429 | 9 - 1.5 | | Hydraulic Oil Cooler | | 4 - 1.27 | 4 | Washer |
| R13430 | 9 - 1.5 | 16 | Check Valve | | 8 - 2.5 | 25 | Washer |
| R13511 | 9 - 1.22 | 5 | Hose Asm | | 8 - 2.5 | 43 | Washer |
| R13512 | 9 - 1.22 | 10 | Hose Asm | | 8 - 2.7 | 22 | Washer |
| R13534 | 9 - 1.5 | 9 | Hose Asm | | 8 - 3.1 | 3 | Washer |
| R13536 | 9 - 1.7 | 6 | Hose Asm | | 8 - 3.15 | 11 | Washer |
| | 9 - 1.7 | 10 | Hose Asm | | 9 - 1.13 | 21 | Washert |
| R13586 | 9 - 1.22 | | High Pressure Filter Installation | | 9 - 6.1 | | Washer |
| R13601 | 8 - 1.1 | 1 | Iso-Mount | | 9 - 6.1 | 7 | Washer |
| R13637 | 2 - 7.3 | 29 | Switch, Press | R13800827 | 1 - 5.7 | 25 | Lockwasher |
| R13775 | 9 - 1.22 | 2 | Filter Asm | | 1 - 5.7 | 72 | Lockwasher |
| | 9 - 1.23 | 2 | Filter Asm | | 4 - 1.3 | 13 | Washer |
| | 9 - 5.2 | | Filter Assembly, High Pressure | | 4 - 1.3 | 18 | Washer |
| R13776 | 9 - 1.3 | | Hydraulic Return Filter Installation | | 5 - 2.5 | 18 | Washer |
| R13777 | 9 - 5.1 | 4 | Differential Pressure Device | R13800828 | 1 - 5.9 | 105 | Lockwasher |
| R13800159 | 2 - 6.2 | 21 | Capscrew | | 4 - 1.13 | 20 | Washer |
| R13800167 | 5 - 2.5 | 19 | Screw | | 4 - 1.19 | 4 | Lockwasher |
| R13800168 | 4 - 1.3 | 19 | Screw | | 4 - 1.21 | 4 | Lockwasher |
| | 4 - 1.3 | 14 | Screw | | 4 - 1.23 | 2 | Lockwasher |
| R13800171 | 2 - 6.2 | 13 | Capscrew | | 4 - 3.11 | 35 | Washer |
| R13800173 | 2 - 6.2 | 7 | Capscrew | | 4 - 3.5 | 35 | Washer |
| R13800175 | 2 - 6.2 | 14 | Capscrew | | 9 - 1.13 | 24 | Washer |
| R13800186 | 1 - 5.5 | 48 | Bolt | | 9 - 1.15 | 19 | Washer |
| R13800187 | 4 - 3.11 | 36 | Screw | R13800829 | 1 - 5.7 | 91 | Lockwasher |
| | 4 - 3.5 | 36 | Screw | | 1 - 5.7 | 93 | Lockwasher |

| Part No. | Page | Item | Description | Part No. | Page | Item | Description | |
|------------|-----------|---------|-------------------|----------------|-----------|---------|-------------|----------|
| R13800829 | 1 - 5.7 | 67 | Lockwasher | R13801763 | 4 - 1.19 | 3 | Plug | |
| | 1 - 5.9 | 115 | Lockwasher | | 4 - 1.21 | 3 | Plug | |
| | 5 - 2.5 | 29 | Washer | R13801764 | 9 - 6.1 | 13 | Fitting | |
| | 5 - 2.5 | 78 | Washer | R13801765 | 4 - 1.19 | 2 | Plug | |
| | 5 - 2.5 | 68 | Washer | | 4 - 1.21 | 2 | Plug | |
| | 5 - 2.5 | 6 | Washer | | 5 - 2.5 | 15 | Plug | |
| | 9 - 1.22 | 4 | Washer | R13801778 | 1 - 3.2 | 16 | Capscrew | |
| | 9 - 1.23 | 4 | Washer | R13801779 | 2 - 7.4 | 3 | Capscrew | |
| | R13800830 | 1 - 5.5 | 18 | Washer | R13801781 | 9 - 6.1 | 9 | Capscrew |
| 1 - 5.5 | | 38 | Washer | | 9 - 6.1 | 6 | Capscrew | |
| 1 - 5.5 | | 24 | Washer | R13801796 | 2 - 7.4 | 4 | Capscrew | |
| 1 - 5.7 | | 87 | Lockwasher | R13801805 | 9 - 1.13 | 23 | Capscrew | |
| 1 - 5.7 | | 45 | Lockwasher | | 9 - 1.15 | 18 | Capscrew | |
| 4 - 3.5 | | 24 | Lockwasher | R13801807 | 1 - 3.2 | 10 | Capscrew | |
| 9 - 6.1 | | 5 | Washer | | 2 - 5.1 | 3 | Capscrew | |
| R13800831 | | 4 - 1.5 | 112 | Washer | | 2 - 7.4 | 5 | Capscrew |
| | | 4 - 1.5 | 123 | Washer | R13801813 | 1 - 3.2 | 11 | Capscrew |
| R13800832 | 4 - 1.15 | 18 | Washer | R13801831 | 4 - 1.3 | 71 | Screw | |
| | 4 - 3.11 | 18 | Washer | R13801841 | 1 - 4.1 | 25 | Capscrew | |
| | 4 - 3.5 | 18 | Washer | R13801842 | 1 - 3.2 | 12 | Capscrew | |
| R13800876 | 1 - 5.7 | 73 | Bolt | | 1 - 4.1 | 21 | Capscrew | |
| | 1 - 5.7 | 26 | Bolt | | 9 - 1.17 | 5 | Capscrew | |
| R13800882 | 1 - 5.5 | 9 | Bolt | | 9 - 1.19 | 5 | Capscrew | |
| | 4 - 1.11 | 14 | Screw | R13801844 | 1 - 5.5 | 37 | Bolt | |
| R13800883 | 1 - 5.5 | 70 | Bolt (Incitem 69) | | 1 - 5.5 | 23 | Bolt | |
| R13800884 | 4 - 1.3 | 79 | Screw | R13801845 | 1 - 4.1 | 16 | Capscrew | |
| R13800974 | 4 - 1.3 | | Nipple | R13801847 | 4 - 3.5 | 25 | Screw | |
| R13800986 | 0 - 3.1 | 28 | Drive Screw | R13801856 | 1 - 3.2 | 13 | Capscrew | |
| | 0 - 3.2 | 28 | Drive Screw | R13801869 | 4 - 3.5 | 19 | Screw | |
| R13801012 | 4 - 1.19 | 48 | Lockwasher | R13801876 | 4 - 3.5 | 32 | Screw | |
| | 4 - 1.21 | 48 | Lockwasher | R13801922 | 4 - 3.1 | 9 | Capscrew | |
| R13801039 | 4 - 1.3 | 46 | Clip | R13802020 | 4 - 2.3 | 1 | Screw | |
| R138010805 | 4 - 3.6 | 3 | Screw | | 4 - 2.4 | 1 | Screw | |
| R13801319 | 1 - 5.9 | 117 | Plug | | 4 - 2.5 | 1 | Screw | |
| R13801339 | 1 - 1.1 | 18 | Fitting, Lube | R13802022 | 1 - 5.1 | 20 | Capscrew | |
| | 1 - 2.1 | 7 | Fitting, Lube | R13802051 | 4 - 2.4 | 9 | Screw | |
| | 1 - 3.2 | 40 | Fitting, Lube | R13802215 | 2 - 4.1 | 11 | Fitting | |
| | 1 - 4.1 | 31 | Grease Fitting | R13802219 | 2 - 7.2 | 26 | Fitting | |
| | 6 - 2.2 | 2 | Fitting, Lube | | 2 - 7.3 | 26 | Fitting | |
| | 7 - 1.2 | 13 | Fitting, Lube | | 8 - 3.3 | 42 | Fitting | |
| | 9 - 1.17 | 8 | Fitting, Lube | | 8 - 3.6 | 18 | Fitting | |
| | 9 - 1.19 | 8 | Fitting, Lube | R13802222 | 8 - 3.3 | 23 | Fitting | |
| | 9 - 1.9 | 4 | Fitting, Lube | | 8 - 3.6 | 16 | Fitting | |
| | R13801340 | 1 - 4.1 | 28 | Grease Fitting | R13802224 | 9 - 6.1 | 8 | Fitting |
| 4 - 2.2 | | 8 | Grease Fitting | R13802336 | 4 - 1.3 | | Cap | |
| 4 - 2.5 | | 7 | Grease Fitting | R13802338 | 4 - 4.1 | 2 | Cap, Pipe | |
| R13801349 | 1 - 5.3 | 5 | Ball | R13802575 | 6 - 1.5 | 13 | Washer | |
| | 4 - 1.13 | 16 | Ball | | 8 - 2.2 | 13 | Washer | |
| | 4 - 1.13 | 9 | Ball | | 8 - 3.9 | 4 | Washer | |
| | 4 - 1.13 | 12 | Ball | R13802604 | 4 - 1.15 | 40 | Plug | |
| R13801352 | 4 - 1.5 | 91 | Ball | R13802605 | 5 - 2.5 | 66 | Plug | |
| R13801359 | 9 - 1.11 | 14 | Clip | | 5 - 2.5 | 65 | Plug | |
| R1380139 | 4 - 1.3 | 8 | Plug | R13802607 | 4 - 1.13 | 15 | Plug | |
| R13801461 | 4 - 1.25 | 63 | Fitting | | 4 - 3.3 | 9 | Plug | |
| R13801478 | 4 - 1.3 | 57 | Plug | | 4 - 3.3 | 26 | Plug | |
| R13801533 | 1 - 6.1 | 3 | Fitting, Lube | | 4 - 3.3 | 27 | Plug | |
| R13801762 | 1 - 5.5 | 3 | Plug | | 4 - 3.9 | 27 | Plug | |
| | 4 - 1.3 | 34 | Plug | | 4 - 3.9 | 26 | Plug | |

| Part No. | Page | Item | Description | Part No. | Page | Item | Description |
|-----------|----------|------|-------------|-----------|----------|------|-------------|
| R13802607 | 4 - 3.9 | 9 | Plug | R13803306 | 9 - 1.2 | 60 | Clamp |
| R13802619 | 2 - 6.3 | 6 | Washer | | 9 - 1.3 | 9 | Clamp |
| | 4 - 1.3 | 45 | Washer | | 9 - 6.1 | 15 | Clamp, Hose |
| R13802628 | 9 - 1.17 | 11 | Washer | R13803311 | 2 - 6.1 | 4 | Clamp, Hose |
| | 9 - 1.19 | 11 | Washer | R13803313 | 2 - 6.1 | 5 | Clamp, Hose |
| | 9 - 1.21 | 22 | Washer | | 8 - 3.3 | 4 | Clamp, Hose |
| | 9 - 3.1 | 22 | Washer | | 8 - 3.6 | 12 | Clamp, Hose |
| | 9 - 3.7 | 22 | Washer | R13803319 | 2 - 6.3 | 7 | Clamp |
| R13802673 | 1 - 5.9 | 119 | O-Ring | R13803421 | 4 - 1.15 | 35 | Plug |
| R13802702 | 4 - 1.3 | 15 | O-Ring | | 4 - 1.15 | 42 | Plug |
| R13802704 | 4 - 1.11 | 16 | O-Ring | R13803423 | 4 - 1.13 | 1 | Plug |
| R13802705 | 5 - 2.5 | 81 | O-Ring | | 4 - 1.13 | 45 | Plug |
| R13802706 | 4 - 1.13 | 37 | O-Ring | R13803445 | 3 - 1.1 | 39 | Nut |
| R13802707 | 4 - 1.13 | 30 | O-Ring | | 9 - 1.1 | 45 | Nut |
| R13802709 | 4 - 1.5 | 108 | O-Ring | | 9 - 1.2 | 45 | Nut |
| R13802751 | 4 - 1.3 | 59 | O-Ring | R13803482 | 4 - 1.15 | 51 | O-Ring |
| | 4 - 1.3 | 66 | O-Ring | R13803580 | 2 - 7.4 | 6 | Nut |
| R13802756 | 4 - 1.3 | 56 | O-Ring | R13803581 | 2 - 7.4 | 7 | Nut |
| R13802760 | 1 - 5.7 | 15 | O-Ring | R13803582 | 1 - 5.2 | 2 | Nut |
| | 1 - 5.7 | 74 | O-Ring | | 2 - 7.4 | 8 | Nut |
| | 4 - 1.3 | 3 | O-Ring | R13803583 | 1 - 3.2 | 14 | Nut |
| | 4 - 1.5 | 101 | O-Ring | | 2 - 4.1 | 21 | Nut |
| R13802766 | 1 - 5.5 | 30 | O-Ring | R13803587 | 4 - 3.1 | 14 | Locknut |
| | 1 - 5.7 | 81 | O-Ring | R13803588 | 4 - 3.1 | 15 | Locknut |
| R13802768 | 7 - 1.2 | 10 | O-ring | R13803636 | 4 - 1.22 | 12 | O-Ring |
| R13802777 | 5 - 2.5 | 12 | Seal | R13803638 | 4 - 1.15 | 21 | O-Ring |
| R13802783 | 4 - 1.5 | 126 | O-Ring | R13803639 | 4 - 1.19 | 33 | O-Ring |
| R13802786 | 4 - 1.5 | 107 | O-Ring | | 4 - 1.21 | 33 | O-Ring |
| R13802790 | 1 - 5.7 | 49 | O-Ring | R13803660 | 4 - 1.15 | 22 | O-Ring |
| | 1 - 5.7 | 61 | O-Ring | R13803662 | 4 - 1.19 | 60 | O-Ring |
| | 1 - 5.7 | 64 | O-Ring | | 4 - 1.21 | 60 | O-Ring |
| R13802791 | 1 - 5.7 | 54 | Nut | R13803670 | 4 - 1.15 | 7 | O-Ring |
| R13802794 | 1 - 5.9 | 112 | O-Ring | | 4 - 1.15 | 16 | O-Ring |
| R13802804 | 1 - 5.5 | 35 | O-Ring | | 5 - 2.5 | 35 | O-Ring |
| R13802812 | 1 - 5.7 | 83 | O-Ring | | 5 - 2.5 | 37 | O-Ring |
| R13802815 | 4 - 1.5 | 110 | O-Ring | R13803671 | 4 - 1.19 | 55 | O-Ring |
| | 4 - 1.5 | 119 | O-Ring | | 4 - 1.21 | 55 | O-Ring |
| | 5 - 2.5 | 3 | O-Ring | R13803675 | 4 - 1.15 | 38 | Nut |
| | 5 - 2.5 | 72 | Seal | | 5 - 2.5 | 75 | Nut |
| R13802915 | 1 - 3.2 | 15 | Washer | | 9 - 1.5 | 19 | Nut |
| | 2 - 5.1 | 4 | Washer | R13803693 | 1 - 5.9 | 114 | Nut |
| R13802917 | 1 - 4.1 | 17 | Washer | R13803694 | 1 - 5.7 | 88 | Nut |
| | 9 - 1.17 | 6 | Washer | R13803729 | 4 - 3.3 | 30 | Nut |
| | 9 - 1.19 | 6 | Washer | R13803730 | 4 - 3.9 | 30 | Nut |
| R13802920 | 4 - 3.1 | 11 | Washer | R13803731 | 4 - 3.3 | 23 | Nut |
| R13802972 | 9 - 6.1 | 9 | Fitting | | 4 - 3.9 | 23 | Nut |
| R13803025 | 8 - 3.17 | 30 | Clip | R13803754 | 3 - 1.1 | 34 | Capscrew |
| R13803034 | 8 - 2.7 | 25 | Clip | R13803843 | 2 - 6.1 | 6 | Draincock |
| R13803039 | 1 - 6.1 | 4 | Clip | R13803844 | 2 - 4.1 | 14 | Draincock |
| R13803040 | 4 - 3.1 | 12 | Cable Clamp | R13803888 | 4 - 1.3 | 82 | Screw |
| R13803042 | 4 - 3.1 | 13 | Cable Clamp | R13803895 | 7 - 1.2 | 17 | Capscrew |
| R13803049 | 9 - 1.11 | 15 | Clip | | 7 - 1.4 | 7 | Capscrew |
| R13803059 | 9 - 1.2 | 65 | Clip | R13803897 | 1 - 3.2 | 7 | Capscrew |
| | 9 - 1.3 | 21 | Clip | R13804001 | 4 - 1.15 | 46 | O-Ring |
| R13803230 | 1 - 5.5 | 62 | Adapter | | 4 - 1.15 | 26 | O-Ring |
| R13803255 | 1 - 5.5 | 67 | Plug | | 4 - 1.15 | 25 | O-Ring |
| R13803305 | 8 - 3.3 | 10 | Clamp, Hose | R13804003 | 4 - 1.15 | 52 | O-Ring |
| | 8 - 3.6 | 7 | Clamp | R13804005 | 5 - 2.5 | 46 | O-Ring |

| Part No. | Page | Item | Description | Part No. | Page | Item | Description |
|-----------|----------|------|-------------|-----------|----------|------|---------------|
| R13804005 | 5 - 2.5 | 47 | O-Ring | | 7 - 1.4 | 8 | Capscrew |
| R13804124 | 1 - 5.2 | 13 | Nut | R13807547 | 9 - 1.7 | 15 | Fitting |
| R13804165 | 8 - 2.5 | 38 | Screw | R13807570 | 2 - 4.1 | 30 | Fitting |
| | 8 - 3.17 | 36 | Mach Screw | R13807736 | 8 - 2.8 | 1 | Capscrew |
| R13804175 | 8 - 3.17 | 27 | Nut | R13807781 | 9 - 6.1 | 4 | Capscrew |
| R13804178 | 4 - 3.5 | 1 | Nut | R13808110 | 9 - 1.5 | 18 | Clamp |
| R13804179 | 4 - 3.11 | 1 | Nut | R13808431 | 2 - 5.1 | 21 | Clamp |
| R13804180 | 4 - 3.3 | 15 | Nut | R13808664 | 5 - 1.3 | 19 | Capscrew |
| | 4 - 3.9 | 15 | Nut | | 5 - 1.5 | 19 | Capscrew |
| R13804237 | 6 - 2.3 | 8 | Fitting | R13808987 | 7 - 1.2 | 12 | O-Ring |
| R13804238 | 2 - 4.1 | 12 | Fitting | | 7 - 1.4 | 9 | O-Ring |
| R13804268 | 4 - 1.13 | 14 | O-Ring | R13809066 | 7 - 1.3 | 21 | Washer |
| | 4 - 1.13 | 2 | O-Ring | R13809326 | 2 - 6.1 | 8 | Hose |
| R13804465 | 4 - 3.5 | 23 | Pin | R13809330 | 2 - 6.1 | 9 | Hose |
| R13804503 | 2 - 6.1 | 7 | Hose | R13809366 | 1 - 6.1 | 5 | Capscrew |
| R13804605 | 1 - 3.2 | 8 | Key | R13809407 | 9 - 4.5 | 2 | Bolt |
| R13804673 | 1 - 5.7 | 89 | Plug | R13809441 | 7 - 1.2 | 15 | Capscrew |
| R13804684 | 4 - 1.1 | 5 | Capscrew | | 7 - 1.4 | 10 | Capscrew |
| R13804956 | 1 - 5.7 | 96 | O-Ring | R13809445 | 1 - 5.2 | 17 | Capscrew |
| R13804979 | 1 - 5.1 | 15 | Washer | R13809452 | 8 - 2.5 | 12 | Screw |
| | 4 - 3.1 | 16 | Washer | R13809458 | 4 - 1.27 | 15 | Machine Screw |
| R13805118 | 4 - 1.27 | 16 | Nut | R13809520 | 8 - 2.5 | 13 | Nut |
| R13805261 | 5 - 1.3 | 39 | Fitting | R13809543 | 3 - 1.1 | 35 | Nut |
| | 5 - 1.5 | 39 | Fitting | R13809555 | 8 - 2.7 | 21 | Nut |
| R13805282 | 9 - 4.4 | 11 | O-Ring | R13809556 | 6 - 3.1 | 3 | Nut |
| R13805321 | 9 - 4.4 | 7 | O-Ring | R13809557 | 2 - 6.1 | 10 | Nut |
| R13805767 | 5 - 1.5 | 47 | Nut | R13809566 | 4 - 1.19 | 37 | Nut |
| R13805980 | 8 - 3.3 | 14 | Capscrew | | 4 - 1.21 | 37 | Nut |
| | 8 - 3.6 | 9 | Capscrew | R13809573 | 8 - 2.5 | 14 | Washer |
| | 9 - 1.4 | 3 | Capscrew | R13809583 | 2 - 1.1 | 23 | Washer |
| | 9 - 1.5 | 2 | Capscrew | R13809584 | 9 - 3.1 | 21 | Washer |
| R13806266 | 1 - 5.7 | 90 | Bolt | | 9 - 3.7 | 21 | Washer |
| R13806273 | 9 - 1.2 | 19 | Capscrew | R13809742 | 7 - 1.1 | 44 | Pin, Spring |
| R13806384 | 5 - 2.5 | 77 | Screw | | 9 - 1.1 | 8 | Pin |
| R13806545 | 1 - 5.1 | 9 | Capscrew | | 9 - 1.2 | 8 | Pin |
| R1380657 | 4 - 1.19 | 29 | O-Ring | R13809787 | 5 - 2.5 | 79 | Pin |
| | 4 - 1.21 | 29 | O-Ring | R13809918 | 8 - 2.1 | 3 | Pin |
| R13806800 | 4 - 1.3 | 73 | Nut | R13809919 | 8 - 2.9 | 7 | Pin |
| | 5 - 2.5 | 69 | Nut | R13809920 | 9 - 1.9 | 27 | Pin, Clevis |
| R13806803 | 4 - 1.15 | 17 | Nut | R13809945 | 2 - 5.1 | 11 | Clamp |
| R13806822 | 2 - 6.3 | 5 | Nut | R13809947 | 2 - 5.1 | 9 | Clamp |
| R13806869 | 8 - 3.17 | 29 | Washer | R13809949 | 2 - 5.1 | 7 | Clamp |
| R13806871 | 1 - 4.1 | 24B | Washer | R13810033 | 2 - 4.1 | 6 | Clamp |
| | 8 - 3.3 | 34 | Washer | | 4 - 1.25 | 21 | Clip, Insul |
| R13806978 | 2 - 6.2 | 6 | Washer | R13810529 | 4 - 1.19 | 6 | Plug |
| R13806984 | 2 - 4.1 | 20 | Washer | | 4 - 1.21 | 6 | Plug |
| R13806992 | 3 - 1.1 | 36 | Washer | | 4 - 1.22 | 16 | Plug |
| R13806995 | 8 - 3.17 | 28 | Washer | | 4 - 1.22 | 15 | Plug |
| R13806996 | 4 - 1.15 | 30 | Lockwasher | R13810530 | 4 - 1.3 | 63 | Plug |
| | 4 - 1.15 | 14 | Lockwasher | | 5 - 2.5 | 16 | Plug |
| | 4 - 1.19 | 31 | Lockwasher | R13810545 | 4 - 1.15 | 19 | Plug |
| | 4 - 1.19 | 38 | Lockwasher | R13810627 | 2 - 7.4 | 9 | Terminal |
| | 4 - 1.21 | 38 | Lockwasher | R13810771 | 4 - 3.11 | 19 | Screw |
| | 4 - 1.21 | 31 | Lockwasher | R13810814 | 4 - 1.16 | 10 | Capscrew |
| | 4 - 1.3 | 27 | Lockwasher | | 8 - 3.15 | 5 | Capscrew |
| | 4 - 1.3 | 33 | Lockwasher | | 9 - 1.1 | 15 | Capscrew |
| | 4 - 1.3 | 49 | Lockwasher | | 9 - 1.2 | 15 | Capscrew |
| R13807033 | 7 - 1.2 | 16 | Capscrew | R13810856 | 3 - 1.1 | 14 | Capscrew |

| Part No. | Page | Item | Description | Part No. | Page | Item | Description |
|-----------|----------|------|-------------|-----------|----------|------|-------------|
| R13810857 | 2 - 4.1 | 7 | Capscrew | | 9 - 1.21 | 21 | Capscrew |
| R13810858 | 4 - 1.25 | 22 | Capscrew | R13811074 | 1 - 1.1 | 2 | Capscrew |
| | 7 - 1.1 | 13 | Capscrew | | 6 - 2.3 | 3 | Capscrew |
| R13810989 | 2 - 2.1 | 5 | Capscrew | | 7 - 1.1 | 8 | Capscrew |
| R13810990 | 1 - 3.2 | 9 | Capscrew | | 9 - 1.3 | 16 | Capscrew |
| | 8 - 3.3 | 28 | Capscrew | | 9 - 1.9 | 5 | Capscrew |
| | 9 - 3.1 | 25 | Capscrew | R13811075 | 1 - 2.1 | 3 | Capscrew |
| | 9 - 3.7 | 25 | Capscrew | | 7 - 1.1 | 20 | Capscrew |
| R13810991 | 2 - 6.1 | 11 | Capscrew | | 8 - 3.17 | 33 | Capscrew |
| | 8 - 2.1 | 5 | Capscrew | R13811076 | 7 - 1.3 | 4 | Capscrew |
| | 8 - 2.5 | 15 | Capscrew | | 9 - 3.1 | 20 | Capscrew |
| | 8 - 2.7 | 24 | Capscrew | | 9 - 3.7 | 20 | Capscrew |
| | 8 - 3.1 | 2 | Capscrew | R13811079 | 2 - 6.1 | 13 | Capscrew |
| | 8 - 3.17 | 38 | Capscrew | | 8 - 3.3 | 33 | Capscrew |
| R13810992 | 2 - 7.2 | 41 | Capscrew | R13811080 | 2 - 4.1 | 17 | Capscrew |
| | 2 - 7.3 | 41 | Capscrew | R13811081 | 8 - 3.3 | 11 | Capscrew |
| | 3 - 1.1 | 31 | Capscrew | R13811122 | 7 - 1.1 | 5 | Capscrew |
| R13810993 | 7 - 1.1 | 36 | Capscrew | | 7 - 1.3 | 7 | Capscrew |
| | 9 - 1.9 | 23 | Capscrew | | 9 - 2.1 | 4 | Screw |
| R13810996 | 4 - 1.26 | 2 | Capscrew | R13811124 | 7 - 1.1 | 15 | Capscrew |
| | 4 - 1.27 | 2 | Capscrew | | 9 - 1.1 | 2 | Capscrew |
| R13810997 | 4 - 1.25 | 23 | Capscrew | | 9 - 1.2 | 2 | Capscrew |
| | 9 - 1.13 | 20 | Capscrew | R13811125 | 2 - 1.1 | 6 | Capscrew |
| | 9 - 1.15 | 15 | Capscrew | R13811132 | 2 - 1.1 | 7 | Capscrew |
| R13810998 | 6 - 1.3 | 18 | Capscrew | R13811145 | 4 - 3.1 | 17 | Capscrew |
| | 6 - 1.5 | 18 | Capscrew | | 7 - 1.1 | 29 | Capscrew |
| R13811012 | 9 - 1.2 | 66 | Capscrew | R13811146 | 4 - 1.1 | 9 | Capscrew |
| | 9 - 1.3 | 22 | Capscrew | | 7 - 1.3 | 18 | Capscrew |
| R13811017 | 5 - 2.2 | 8 | Capscrew | R13811173 | 2 - 2.1 | 6 | Nut |
| R13811024 | 6 - 1.3 | 19 | Capscrew | R13811177 | 7 - 1.3 | 12 | Nut |
| | 6 - 1.5 | 19 | Capscrew | R13811182 | 1 - 5.2 | 10 | Nut |
| R13811030 | 4 - 1.25 | 24 | Capscrew | R13811189 | 2 - 7.2 | 42 | Nut |
| R13811033 | 2 - 5.4 | 8 | Capscrew | | 2 - 7.3 | 42 | Nut |
| R13811035 | 1 - 5.1 | 12 | Capscrew | | 3 - 1.1 | 32 | Nut |
| | 2 - 5.4 | 9 | Capscrew | | 6 - 1.3 | 20 | Nut |
| | 7 - 1.1 | 25 | Capscrew | | 6 - 1.5 | 20 | Nut |
| | 8 - 3.3 | 5 | Capscrew | | 7 - 1.1 | 38 | Nut |
| R13811036 | 6 - 1.5 | 9 | Capscrew | | 8 - 2.1 | 6 | Nut |
| | 6 - 3.1 | 2 | Capscrew | | 8 - 2.5 | 16 | Nut |
| | 8 - 2.2 | 9 | Capscrew | | 8 - 3.15 | 10 | Nut |
| | 9 - 3.1 | 3 | Capscrew | | 8 - 3.3 | 30 | Nut |
| | 9 - 3.7 | 3 | Capscrew | | 9 - 1.4 | 4 | Nut |
| R13811037 | 2 - 6.1 | 12 | Capscrew | | 9 - 1.5 | 3 | Nut |
| R13811038 | 5 - 2.2 | 21 | Capscrew | | 9 - 3.1 | 27 | Nut |
| R13811039 | 6 - 1.5 | 10 | Capscrew | | 9 - 3.7 | 27 | Nut |
| | 8 - 2.2 | 10 | Capscrew | R13811190 | 5 - 2.2 | 7 | Nut |
| | 8 - 3.9 | 3 | Capscrew | | 6 - 1.3 | 21 | Nut |
| R13811040 | 5 - 2.2 | 6 | Capscrew | | 6 - 1.5 | 21 | Nut |
| R13811041 | 5 - 1.3 | 25 | Capscrew | | 8 - 3.3 | 12 | Nut |
| | 5 - 1.5 | 25 | Capscrew | | 9 - 1.2 | 68 | Nut |
| R13811043 | 1 - 1.1 | 1 | Capscrew | | 9 - 1.3 | 24 | Nut |
| R13811047 | 4 - 1.16 | 13 | Capscrew | R13811191 | 2 - 5.1 | 5 | Nut |
| R13811054 | 9 - 1.22 | 3 | Capscrew | | 2 - 6.1 | 14 | Nut |
| | 9 - 1.23 | 3 | Capscrew | | 4 - 1.16 | 9 | Nut |
| R13811060 | 5 - 2.2 | 19 | Capscrew | | 5 - 2.2 | 5 | Nut |
| R13811073 | 7 - 1.1 | 33 | Capscrew | | 5 - 2.2 | 22 | Nut |
| | 9 - 1.17 | 10 | Capscrew | | 6 - 1.5 | 11 | Nut |
| | 9 - 1.19 | 10 | Capscrew | | 8 - 2.2 | 11 | Nut |

| Part No. | Page | Item | Description | Part No. | Page | Item | Description |
|-----------|-----------|---------|--------------|-----------|----------|---------|-----------------|
| R13811193 | 2 - 6.1 | 15 | Nut | | 8 - 3.17 | 32 | Washer |
| R13811195 | 2 - 1.1 | 8 | Nut | R13811449 | 8 - 3.17 | 34 | Washer |
| | 7 - 1.1 | 17 | Nut | R13811450 | 7 - 1.1 | 45 | Washer |
| | 8 - 2.9 | 3 | Nut | | 9 - 3.1 | 26 | Washer |
| | 9 - 1.1 | 4 | Nut | | 9 - 3.7 | 26 | Washer |
| | 9 - 1.2 | 4 | Nut | R13811451 | 7 - 1.1 | 43 | Washer |
| R13811196 | 4 - 1.1 | 7 | Nut | R13811457 | 7 - 1.1 | 30 | Washer |
| | 5 - 1.3 | 42 | Nut | R13811458 | 2 - 1.1 | 15 | Washer |
| | 5 - 1.5 | 42 | Nut | R13811463 | 9 - 1.13 | 22 | Nut |
| R13811210 | 4 - 1.17 | 2 | Screw | | 9 - 1.15 | 17 | Nut |
| R13811215 | 2 - 1.1 | 24 | Capscrew | R13811465 | 1 - 1.1 | 3 | Nut |
| R13811216 | 2 - 1.1 | 9 | Capscrew | R13811469 | 2 - 1.1 | 16 | Nut |
| R13811218 | 2 - 1.1 | | Capscrew | R13811497 | 4 - 3.1 | 19 | Capscrew |
| R13811225 | 2 - 6.3 | 1 | Capscrew | R13811512 | 2 - 6.2 | 5 | Nut |
| R13811226 | 3 - 1.1 | 16 | Capscrew | R13812213 | 3 - 1.1 | 33 | Washer |
| R13811228 | 2 - 1.1 | 10 | Capscrew | | 8 - 3.3 | 15 | Washer |
| R13811236 | 2 - 1.1 | 11 | Capscrew | | 8 - 3.3 | 29 | Washer |
| R13811416 | 3 - 1.1 | 37 | Nut | | 8 - 3.6 | 10 | Washer |
| R13811429 | 4 - 1.16 | 8 | Washer | R13812512 | 9 - 1.15 | 16 | Washer |
| | 8 - 2.5 | 44 | Washer | R13812513 | 9 - 1.2 | 67 | Washer |
| | 8 - 2.7 | 23 | Washer | | 9 - 1.3 | 23 | Washer |
| | 9 - 1.9 | 24 | Washer | R13812514 | 1 - 5.1 | 13 | Washer |
| R13811431 | 2 - 4.1 | 8 | Washer | | 2 - 5.4 | 10 | Washer |
| | 2 - 6.1 | 16 | Washer | | 5 - 1.3 | 26 | Washer |
| | 4 - 1.16 | 7 | Washer | | 5 - 1.5 | 26 | Washer |
| | 4 - 1.17 | 3 | Washer | | 7 - 1.1 | 12 | Washer |
| | 6 - 1.5 | 12 | Washer | | 9 - 3.1 | 5 | Washer |
| | 7 - 1.1 | 24 | Washer | | 9 - 3.7 | 5 | Washer |
| | 8 - 2.2 | 12 | Washer | R13812516 | 9 - 1.3 | 17 | Washer |
| | 9 - 1.2 | 69 | Washer | R13812518 | 7 - 1.1 | 31 | Washer |
| | 9 - 3.1 | 4 | Washer | R13812878 | 8 - 1.1 | 6 | Washer |
| | 9 - 3.7 | 4 | Washer | R13813182 | 3 - 1.1 | 38 | Capscrew |
| | R13811432 | 2 - 1.1 | 12 | Washer | | 9 - 1.1 | 44 |
| 5 - 1.5 | | 48 | Washer | | 9 - 1.2 | 44 | Screw |
| R13811433 | 2 - 1.1 | 13 | Washer | R13813271 | 4 - 3.11 | 32 | Screw |
| | 3 - 1.1 | 17 | Washer | R13856 | 2 - 6.2 | 8 | Core |
| | 4 - 1.16 | 6 | Washer | R13857 | 2 - 6.2 | 2 | Bottom Tank |
| | 6 - 2.3 | 4 | Washer | R13858 | 2 - 6.2 | 1 | Tank Top |
| | 7 - 1.1 | 9 | Washer | R13859 | 2 - 6.2 | 11 | Bar |
| | 7 - 1.3 | 5 | Washer | R13860 | 2 - 6.2 | 18 | Plug |
| | 9 - 1.9 | 6 | Washer | R13861 | 2 - 6.2 | 19 | Plug |
| R13811435 | 2 - 1.1 | 14 | Washer | R13862 | 2 - 6.2 | 20 | Plug |
| | 7 - 1.1 | 6 | Washer | R13863 | 2 - 6.2 | 17 | Plug |
| | 7 - 1.3 | 8 | Washer | R13864 | 2 - 6.2 | 10 | Bar |
| R13811436 | 4 - 1.1 | 6 | Washer | R13865 | 2 - 6.2 | 16 | Bar |
| | 4 - 3.1 | 18 | Washer | R13866 | 2 - 6.2 | 22 | Bar |
| | 5 - 1.3 | 41 | Washer | R13867 | 2 - 6.2 | | Bracket |
| | 5 - 1.5 | 41 | Washer | R13868 | 2 - 6.2 | | Pad |
| R13811443 | 4 - 1.25 | 25 | Washer | R13869 | 9 - 2.3 | 1 | Rotary Group |
| | 4 - 1.26 | 3 | Washer | R13870 | 9 - 2.3 | 2 | Control Piston |
| | 4 - 1.27 | 3 | Washer | R13871 | 9 - 2.3 | 3 | Pump Housing |
| | 5 - 1.3 | 20 | Washer | R13872 | 9 - 2.3 | 4 | Port Block |
| | 5 - 1.5 | 20 | Washer | R13873 | 9 - 2.3 | 5 | Cradle Assembly |
| | 7 - 1.1 | 37 | Washer | R13874 | 9 - 2.3 | 6 | Shaft |
| | 9 - 1.4 | 5 | Washer | R13875 | 9 - 2.3 | 7 | Washer |
| | 9 - 1.5 | 4 | Washer | R13876 | 9 - 2.3 | 8 | Adjusting Disc |
| R13811446 | 8 - 3.3 | 6 | Washer, Flat | R13877 | 9 - 2.3 | 15 | V-Ring |
| R13811447 | 4 - 1.25 | 26 | Washer | R13878 | 9 - 2.3 | 16 | Capscrew |

| Part No. | Page | Item | Description | Part No. | Page | Item | Description |
|-----------|----------|------|-------------------|----------|----------|------|-------------------|
| R13879 | 9 - 2.3 | 19 | Control Valve Asm | R1574466 | 1 - 1.1 | 5 | Bearing |
| R13880 | 9 - 2.3 | 17 | Plug | | 1 - 2.1 | 6 | Bearing |
| R13881 | 9 - 2.3 | 18 | Dowel Pin | | 1 - 3.2 | 18 | Bearing |
| R13884 | 9 - 2.3 | 20 | Acorn Nut | | 6 - 2.3 | 5 | Bearing |
| R13885 | 9 - 2.3 | 22 | Jam Nut | | 7 - 1.3 | 22 | Bearing |
| R13886 | 9 - 2.3 | 23 | Adjusting Screw | | 9 - 1.9 | 7 | Bearing |
| R13887 | 9 - 2.3 | 25 | Plug | | 9 - 4.3 | 20 | Bushing |
| R13888 | 9 - 2.3 | 26 | Capscrew | R1610636 | 1 - 5.2 | 12 | Bearing |
| R13889 | 9 - 2.3 | 27 | Plug | | 4 - 1.16 | 5 | Bearing |
| R13909 | 9 - 5.1 | 1 | Cover Assembly | R1692900 | 2 - 7.4 | 12 | Tube |
| R13910 | 9 - 5.1 | 3 | Head | R1736910 | 5 - 1.3 | 11 | Strap |
| R13911 | 9 - 5.1 | 7 | Housing | | 5 - 1.5 | 11 | Strap |
| R13912 | 9 - 5.1 | 8 | Housing Valve | | 6 - 1.3 | 7 | Strap |
| R13914 | 9 - 5.2 | 1 | Bleed Plug | | 6 - 1.5 | 7 | Strap |
| R13915 | 9 - 5.2 | 3 | Bowl | | 9 - 1.17 | 43 | Strap |
| R13917 | 9 - 5.2 | 5 | Label | | 9 - 1.19 | 43 | Strap |
| R13918 | 9 - 5.2 | 10 | Bypass Valve | | 9 - 1.21 | 11 | Strap, Tie |
| R13919 | 9 - 5.2 | 19 | Bleed Plug | | 9 - 1.4 | 13 | Strap |
| R13921 | 9 - 6.1 | 1 | Body | | 9 - 1.5 | 12 | Tie Strap |
| R13922 | 9 - 6.1 | 2 | Body Liner | | 9 - 1.5 | 13 | Strap |
| R13923 | 9 - 6.1 | 3 | Piston Liner | | 9 - 6.1 | 19 | Strap |
| R13924 | 9 - 6.1 | 8 | Cover | R1811441 | 8 - 3.15 | 7 | Slave Pivot Kit |
| R13925 | 9 - 6.1 | 13 | Link | R189007 | 8 - 2.5 | 20 | Capscrew |
| R13926 | 9 - 6.1 | 14 | Clevis Pin | R1900168 | 1 - 2.1 | 2 | Washer |
| R13927 | 9 - 6.1 | 17 | Clevis Pin | R1900194 | 1 - 1.1 | 6 | Shaft |
| R13928 | 9 - 6.1 | 18 | Handle Asm | R1900641 | 0 - 4.1 | 3 | Cable Cutter |
| R13929 | 9 - 6.1 | 19 | Locking Link | R1901550 | 1 - 1.1 | 7 | Roller |
| R13930 | 9 - 6.1 | 20 | Rivet | R1901972 | 8 - 2.5 | 17 | Mount |
| R13931 | 9 - 6.1 | 21 | Tension Nut | R1902877 | 1 - 1.1 | 8 | Ring, Snap |
| R13932 | 9 - 6.1 | 22 | Cotter Pin | R1903679 | 7 - 1.3 | 2 | Steer Stop |
| R13933 | 9 - 6.1 | 23 | Barrel Bung | R1903680 | 7 - 1.3 | 3 | Spacer |
| R13973875 | 4 - 1.5 | 105 | Cone | R1903717 | 1 - 1.1 | 9 | Main Roller |
| R1500433 | 2 - 5.1 | 15 | Clamp | R1905176 | 1 - 1.1 | 10 | Shim |
| | 2 - 5.1 | 15 | Clamp | | 1 - 3.2 | 19 | Shim |
| R1503463 | 9 - 4.4 | 10 | Ring | | 9 - 1.21 | 24 | Shim |
| R1513577 | 2 - 7.4 | 10 | Terminal | R1915267 | 7 - 1.1 | 26 | Capscrew |
| R1513887 | 0 - 3.1 | 14 | Tag | | 9 - 1.2 | 63 | Capscrew |
| | 0 - 3.2 | 14 | Tag | R1916053 | 9 - 1.1 | 32 | Filter, Suction |
| R1517252 | 2 - 7.2 | 27 | Fitting | | 9 - 1.2 | 32 | Filter, Suction |
| | 2 - 7.3 | 27 | Fitting | R1920223 | 6 - 2.3 | 9 | Washer |
| | 4 - 1.26 | 9 | Fitting | R1920461 | 1 - 2.1 | 4 | Pin |
| | 4 - 1.27 | 9 | Fitting | R1921221 | 2 - 1.1 | 17 | Mount, Rubber |
| R1517253 | 4 - 1.25 | 28 | Elbow, | R1922486 | 2 - 1.1 | 18 | Plate |
| R1535831 | 5 - 1.3 | 36 | Hose Asm | R1923282 | 1 - 5.1 | 11 | Plate |
| | 5 - 1.5 | 36 | Hose Asm | R1928246 | 1 - 5.1 | 16 | Shim |
| R1539058 | 2 - 4.1 | 5 | Strap | R1928247 | 1 - 5.1 | 17 | Shim |
| | 2 - 7.1 | 2 | Strap, Tie | R1928248 | 1 - 5.1 | 18 | Shim |
| | 4 - 1.16 | 15 | Tie Strap | R1928418 | 4 - 4.1 | 3 | Nut, Wheel |
| | 8 - 3.3 | 36 | Strap, Tie | R1928772 | 6 - 2.3 | 6 | Washer |
| | 9 - 1.11 | 11 | Strap | R1929711 | 8 - 2.5 | 18 | Switch, Ign W/key |
| | 9 - 1.9 | 20 | Strap, Tie | R1930168 | 5 - 2.2 | 20 | Lever Asm, Brake |
| R1549382 | 5 - 2.2 | 2 | Wire Asm | R1930615 | 4 - 1.25 | 29 | Filter |
| R1550811 | 2 - 5.1 | 18 | Cap | R1930909 | 1 - 3.2 | 25 | Seal Ring |
| R1558644 | 2 - 4.1 | 9 | Cap, Fuel | R1931189 | 7 - 1.1 | 41 | Knob Asm |
| R1572143 | 2 - 7.4 | 11 | Tank | R1931698 | 1 - 3.2 | 26 | Shaft |
| R1573309 | 1 - 1.1 | 4 | Bearing | R1931720 | 1 - 6.1 | 6 | Fitting |
| | 1 - 3.2 | 17 | Bearing | R1932083 | 1 - 4.1 | 19 | Pin |
| | 9 - 4.4 | 2 | Bearing | R1932089 | 1 - 4.1 | 26 | Pin |

| Part No. | Page | Item | Description | Part No. | Page | Item | Description |
|----------|----------|------|---------------------|----------|----------|------|----------------------------|
| R1932401 | 7 - 1.1 | 22 | Bracket | | 9 - 1.9 | 2 | Blade Asm |
| R1932407 | 1 - 4.1 | 18 | Bushing | R1937917 | 7 - 1.1 | 7 | Cover Asm |
| R1932408 | 1 - 4.1 | 27 | Bushing | R1937933 | 1 - 3.2 | 29 | Shaft |
| R1932733 | 7 - 1.2 | 18 | Bushing | R1937934 | 1 - 3.2 | 30 | Bearing & Cone Asm |
| R1932734 | 7 - 1.2 | 6 | Wear Ring | R1937935 | 1 - 4.1 | 13 | Spring |
| R1932735 | 7 - 1.2 | 3 | Sleeve | R1937936 | 1 - 3.2 | 31 | Seal |
| R1932736 | 7 - 1.2 | 5 | Retainer | R1937938 | 1 - 3.2 | 32 | Plate, Spacer |
| | 7 - 1.4 | 11 | Plate | R1937940 | 1 - 4.1 | 12 | Snubber |
| R1932741 | 7 - 1.2 | 11 | End Plate | R1937941 | 1 - 4.1 | 11 | Snubber |
| | 7 - 1.4 | 12 | End Plate | R1937942 | 1 - 4.1 | 5 | Bearing |
| R1932775 | 0 - 3.1 | 21 | Decal | R1937943 | 1 - 4.1 | 29 | Washer |
| | 0 - 3.2 | 21 | Decal | R1937947 | 1 - 4.1 | 7 | Pin |
| R1932903 | 7 - 1.1 | 18 | Grille Wldmt | R1937978 | 2 - 4.1 | 1 | Fuel Tank |
| R1932931 | 1 - 4.1 | 9 | Bushing | R1938151 | 1 - 4.1 | 8 | Plate |
| R1932932 | 1 - 4.1 | 6 | Bushing | R1938177 | 7 - 1.2 | 14 | Shim |
| R1933439 | 0 - 3.1 | 22 | Decal | R1938204 | 2 - 6.1 | 17 | Tube |
| | 0 - 3.2 | 22 | Decal | R1938205 | 2 - 6.1 | 18 | Tube |
| R1933493 | 1 - 2.1 | 1 | Blade Extension Kit | R1938211 | 2 - 5.4 | 11 | Tube |
| R1933522 | 1 - 5.2 | 15 | Bellows | R1938293 | 2 - 6.1 | 19 | Baffle |
| | 9 - 1.9 | 22 | Bellows | R1938301 | 2 - 5.1 | 17 | Tube |
| R1933541 | 1 - 5.2 | 16 | Clamp | R1938397 | 6 - 3.1 | 1 | Frame Lock |
| R1933604 | 3 - 2.1 | 1 | Battery | R1938553 | 1 - 6.1 | 7 | Hose Asm |
| R1933713 | 5 - 2.2 | 23 | Mount | R1938557 | 1 - 6.1 | 8 | Hose Asm |
| R1934050 | 5 - 2.2 | 16 | Grommet | R1938565 | 9 - 1.21 | 14 | Plate, Orifice |
| R1934258 | 2 - 1.1 | 19 | Engine Mount | R1938764 | 5 - 2.2 | 11 | Cable |
| R1934673 | 1 - 4.1 | 2 | Plate | R1938786 | 1 - 6.1 | 9 | Grommet |
| R1934875 | 1 - 3.2 | 20 | Drive Sprocket | R1938864 | 1 - 3.2 | 33 | Plate, Cover |
| R1935071 | 1 - 1.1 | 11 | Shaft | R1938882 | 3 - 1.1 | 23 | Bushing |
| R1935133 | 5 - 2.2 | 17 | Brkt | R1938931 | 1 - 3.2 | 34 | Nut |
| R1935185 | 7 - 1.1 | 23 | Plate | R1938957 | 7 - 1.2 | 2 | Bearing |
| R1935429 | 4 - 1.16 | 3 | Link | | 7 - 1.4 | 13 | Bearing |
| R1935436 | 1 - 4.1 | 15 | Nut | R1939093 | 7 - 1.2 | 8 | Sleeve |
| R1935453 | 1 - 1.1 | 12 | Bearing | | 7 - 1.4 | 14 | Sleeve |
| R1935454 | 1 - 3.2 | 21 | Chain | R1939109 | 2 - 5.1 | 22 | Pre Cleaner |
| R1935470 | 1 - 3.2 | 23 | Housing | | 2 - 5.3 | | Air Pre-Clean Intake Cap |
| R1935763 | 1 - 1.1 | 14 | Arch Wldmt | R1939171 | 7 - 1.2 | 7 | Seal |
| R1935796 | 1 - 3.2 | 22 | Manifold | | 7 - 1.4 | 15 | Seal |
| R1935971 | 7 - 1.3 | 17 | Cover, RH | R1939242 | 2 - 6.1 | 20 | Plate, Bracket |
| R1935972 | 7 - 1.3 | 16 | Cover, LH | R1939243 | 2 - 6.1 | 21 | Rod |
| R1936078 | 0 - 3.1 | 15 | Decal | R1939280 | 1 - 1.1 | 15 | Washer |
| | 0 - 3.2 | 15 | Decal | R1939283 | 7 - 1.2 | 1 | Pin Asm |
| R1936079 | 0 - 3.1 | 16 | Decal | | 7 - 1.4 | 16 | Pin Asm |
| | 0 - 3.2 | 16 | Decal | R1939296 | 1 - 1.1 | 16 | Pin Asm |
| R1936529 | 2 - 1.1 | 20 | Washer Asm | | 1 - 3.2 | 35 | Pin Asm |
| R1937203 | 7 - 1.1 | 3 | Cover Wldmt | | 9 - 1.21 | 23 | Pin |
| | 7 - 1.3 | 6 | Cover Wldmt | R1939301 | 7 - 1.1 | 39 | Panel Wldmt, Grill |
| R1937471 | 4 - 1.27 | 13 | Wire Asm | R1939302 | 7 - 1.1 | 40 | Panel Wldmt, Grill |
| R1937536 | 4 - 3.1 | 20 | Fitting | R1939323 | 7 - 1.1 | 47 | Bumper, Snap-in |
| R1937538 | 4 - 3.1 | 21 | Clip | R1939324 | 7 - 1.1 | 46 | Bumper |
| R1937586 | 1 - 3.2 | 27 | Bar | R1939327 | 7 - 1.1 | 42 | Washer |
| R1937602 | 2 - 7.1 | 1 | Block Heater | R1939502 | 7 - 1.4 | 17 | Shim |
| R1937647 | 7 - 1.3 | 20 | Grommet | R1939569 | 1 - 3.2 | 36 | Plate, Cover |
| R1937742 | 1 - 3.2 | 28 | Motor | R1939692 | 2 - 4.1 | 28 | Fitting |
| | 1 - 3.4 | | Hydraulic Motor | R1939708 | 2 - 7.4 | 13 | Dispenser, Ether Start Kit |
| R1937747 | 4 - 2.1 | 4 | Driveline | R1939839 | 4 - 3.1 | 22 | Hose |
| | 4 - 2.5 | | Driveline | R1991856 | 2 - 5.2 | 3 | Wing Nut |
| R1937808 | 1 - 4.1 | 10 | Disc | R1991857 | 2 - 5.2 | 1 | Wing Nut |
| R1937838 | 1 - 2.1 | 1 | Blade Asm | R1991882 | 2 - 5.3 | 1 | Wing Nut |

| Part No. | Page | Item | Description | Part No. | Page | Item | Description |
|----------|----------|------|-----------------------|----------|----------|------|----------------------------|
| R1992038 | 4 - 2.5 | 4 | Washer | R2109692 | 4 - 3.12 | | Planet Carrier Assembly |
| R1992084 | 1 - 3.4 | 10 | Drive | | 4 - 3.9 | 8 | Planet Carrier Asm |
| R1992088 | 1 - 3.4 | 16 | Spring | R2109693 | 4 - 3.12 | 1 | Carrier |
| R1992095 | 1 - 3.4 | 1 | Exclusion Seal | R2109696 | 4 - 3.12 | 2 | Washer |
| R1992096 | 1 - 3.4 | 3 | Seal | | 4 - 3.6 | 2 | Washer |
| R1992098 | 1 - 3.4 | 6 | Seal | R2109698 | 4 - 3.9 | 1 | Hub |
| R1992100 | 1 - 3.4 | 21 | Seal - Inner | R2109700 | 4 - 3.3 | 3 | Nut |
| R1992102 | 1 - 3.4 | 15 | Pin | | 4 - 3.9 | 3 | Nut |
| R1992104 | 1 - 3.4 | 19 | Plug | R2109701 | 4 - 3.9 | 6 | Washer |
| R1992156 | 4 - 1.25 | 29 | Element, Filter | R2109801 | 4 - 3.3 | 1 | Hub |
| R1992407 | 1 - 3.4 | 20 | Back-up Ring | R2109806 | 4 - 3.3 | 8 | Planet Carrier Asm |
| R1992478 | 1 - 3.4 | 2 | Bearing Housing | | 4 - 3.6 | | Planet Carrier Assembly |
| R1992479 | 1 - 3.4 | 5 | Shaft and Bearing Kit | R2109807 | 4 - 3.6 | 1 | Carrier |
| R1992480 | 1 - 3.4 | 7 | Wear Plate | R2109809 | 4 - 3.6 | 7 | Gear |
| R1992481 | 1 - 3.4 | 8 | Shaft | R2109810 | 4 - 3.6 | 6 | Roller |
| R1992482 | 1 - 3.4 | 9 | Plate | R2109820 | 4 - 3.3 | 6 | Washer |
| R1992483 | 1 - 3.4 | 11 | Plate | R2109821 | 4 - 3.3 | 7 | Sun Gear |
| R1992484 | 1 - 3.4 | 12 | Valve | R2109822 | 4 - 3.3 | 14 | Cup |
| R1992485 | 1 - 3.4 | 13 | Ring | | 4 - 3.9 | 14 | Cup |
| R1992486 | 1 - 3.4 | 14 | Seal - Outer | R2109824 | 4 - 3.3 | 17 | Cup |
| R1992487 | 1 - 3.4 | 18 | Bolt | R2109839 | 4 - 3.5 | | Differential Body Asm |
| R1992488 | 1 - 3.4 | 17 | Valve Housing | R2109840 | 4 - 3.5 | 3 | No-Spin Unit |
| R1992489 | 1 - 3.4 | | Seal Kit | R2109903 | 4 - 3.3 | 20 | Stud |
| R1992564 | 4 - 2.5 | 3 | Yoke Asm | R2109997 | 4 - 3.9 | 19 | Axle Housing |
| R1992567 | 4 - 2.5 | 8 | Propshaft | R2110219 | 4 - 3.3 | 25 | Seal |
| R1992594 | 2 - 4.1 | 27 | Filter, Fuel | | 4 - 3.9 | 25 | Seal |
| R1992630 | 2 - 6.2 | 12 | Side Asm, RH | R2110220 | 4 - 3.3 | 24 | Retainer |
| R1992631 | 2 - 6.2 | 3 | Side Asm, LH | | 4 - 3.9 | 24 | Retainer |
| R1992651 | 4 - 1.15 | 34 | Bleed Screw | R2110403 | 4 - 3.6 | 9 | Shaft |
| R1992656 | 4 - 2.3 | 2 | U-Joint Asm | R2110404 | 4 - 3.6 | 10 | O-Ring |
| | 4 - 2.4 | 2 | U-Joint Asm | R2110425 | 4 - 3.3 | 2 | Nut |
| R200991 | 4 - 1.3 | 65 | Stud | | 4 - 3.9 | 2 | Nut |
| R201413 | 1 - 5.5 | 4 | Spring | R2110440 | 4 - 3.12 | 10 | O-Ring |
| R201607 | 4 - 1.15 | 23 | Screw | R2110472 | 4 - 3.3 | 4 | Screw |
| R2020631 | 8 - 3.8 | 1 | Switch | | 4 - 3.9 | 4 | Screw |
| R2020632 | 8 - 3.8 | 2 | Face Plate | R2110667 | 4 - 3.12 | 4 | Plate |
| R2020722 | 3 - 2.1 | 2 | Battery Holddown | R2111250 | 4 - 3.5 | | Gear and Pin Set |
| R202076 | 1 - 5.9 | 103 | Gasket | R2111386 | 4 - 3.12 | 9 | Shaft |
| R2020806 | 3 - 2.1 | 3 | Rod-batt Hold Dwn | R2111451 | 4 - 3.6 | 4 | Plate |
| R202200 | 1 - 5.3 | 4 | Spring | R2111577 | 4 - 3.11 | 16 | Dust Shield |
| | 4 - 1.13 | 8 | Spring | R2111578 | 4 - 3.11 | 21 | Washer |
| | 4 - 1.13 | 17 | Spring | R2112159 | 4 - 3.11 | | Gear and Pin Set |
| R206770 | 1 - 5.7 | 86 | Stud | R214118 | 4 - 1.3 | 67 | Pin |
| R206864 | 1 - 5.7 | 13 | Seal | R214730 | 4 - 1.19 | 39 | Stud |
| | 4 - 1.19 | 36 | Oil Seal | | 4 - 1.21 | 39 | Stud |
| | 4 - 1.21 | 36 | Oil Seal | R214924 | 4 - 1.19 | 68 | Turbine Hub |
| | 4 - 1.5 | 99 | Seal Oil | | 4 - 1.21 | 68 | Turbine Hub |
| R208820 | 4 - 1.13 | 36 | Piston Cup | R214929 | 4 - 1.19 | 16 | Washer |
| R2108542 | 4 - 3.12 | 7 | Gear | | 4 - 1.21 | 16 | Washer |
| R2109050 | 4 - 3.5 | | Differential Case Asm | R214931 | 4 - 1.19 | 9 | Gear |
| R2109170 | 4 - 3.11 | 13 | Seal | R214935 | 4 - 1.19 | 25 | Gear |
| R2109175 | 4 - 3.11 | 17 | Sleeve | | 4 - 1.21 | 25 | Gear |
| R2109270 | 4 - 3.5 | 14 | Retainer | R214937 | 4 - 1.19 | 26 | Output Shaft |
| R2109271 | 4 - 3.5 | 44 | Washer | | 4 - 1.21 | 26 | Output Shaft |
| R2109547 | 4 - 3.5 | 45 | V-Ring | R214938 | 4 - 1.19 | 42 | Gear |
| R2109563 | 4 - 3.9 | 7 | Sun Gear | | 4 - 1.21 | 42 | Gear |
| R2109567 | 4 - 3.11 | 14 | Retainer | R214943 | 4 - 1.21 | 7 | Regulator Valve (4 - 1.22) |
| R2109596 | 4 - 3.5 | 46 | Dust Shield | | 4 - 1.22 | 1 | Regulator Valve Asm |

| Part No. | Page | Item | Description | Part No. | Page | Item | Description |
|----------|----------|------|---------------------------|----------|----------|------|----------------------|
| R214943 | 4 - 1.22 | | Pressure Regulating Group | R222418 | 1 - 5.5 | 16 | Plug |
| R214946 | 4 - 1.22 | 8 | Safty Valve Seat | R223084 | 1 - 5.5 | 13 | Ring |
| R214949 | 4 - 1.22 | 11 | Gasket | R223124 | 4 - 1.19 | 85 | Cover |
| R214951 | 4 - 1.19 | 53 | Gear | | 4 - 1.21 | 85 | Cover |
| R214953 | 4 - 1.19 | 43 | Snap Ring | R223125 | 4 - 1.19 | 84 | Gasket |
| | 4 - 1.19 | 50 | Spring | | 4 - 1.21 | 84 | Gasket |
| | 4 - 1.21 | 50 | Spring | R223222 | 1 - 5.7 | 60 | Bearing Asm |
| | 4 - 1.21 | 43 | Snap Ring | R223862 | 4 - 1.5 | 98 | Retaining Ring |
| R214954 | 4 - 1.19 | 13 | Snap Ring | R223874 | 4 - 1.7 | 27 | Snap Ring |
| | 4 - 1.21 | 13 | Snap Ring | R223877 | 1 - 5.7 | 32 | Snap Ring |
| R214956 | 4 - 1.19 | 12 | Bearing | | 1 - 5.7 | 35 | Snap Ring |
| | 4 - 1.21 | 12 | Bearing | R223881 | 4 - 1.5 | 95 | Retaining Ring |
| R214962 | 4 - 1.19 | 18 | Sleeve | | 4 - 1.7 | 5 | Retaining Ring |
| | 4 - 1.21 | 18 | Sleeve | | 4 - 1.9 | 6 | Retaining Ring |
| R214987 | 4 - 1.19 | 40 | Flange | R223901 | 4 - 1.19 | 27 | Snap Ring |
| | 4 - 1.21 | 40 | Flange | | 4 - 1.21 | 27 | Snap Ring |
| R214988 | 4 - 1.19 | 75 | Bearing | R223925 | 4 - 1.3 | 36 | Ring |
| | 4 - 1.21 | 75 | Bearing | R223989 | 1 - 5.5 | 36 | Ring |
| R215190 | 1 - 5.7 | 41 | Snap Ring | R224009 | 4 - 1.19 | 52 | Snap Ring |
| | 4 - 1.11 | 1 | Ring | | 4 - 1.21 | 52 | Snap Ring |
| | 4 - 1.7 | 12 | Ring | R224026 | 1 - 5.9 | 107 | Retaining Ring |
| | 4 - 1.9 | 13 | Ring | | 4 - 1.19 | 41 | Snap Ring |
| R215196 | 4 - 1.13 | | Cylinder Assembly | | 4 - 1.21 | 41 | Snap Ring |
| R215199 | 4 - 1.13 | 35 | Spacer | | 4 - 1.3 | 22 | Snap Ring |
| R215200 | 4 - 1.13 | 38 | Plug | R224039 | 4 - 1.19 | 15 | Snap Ring |
| R215757 | 4 - 1.3 | 64 | Plug | | 4 - 1.21 | 15 | Snap Ring |
| R216053 | 5 - 2.5 | 70 | Nut | R224065 | 4 - 1.5 | 89 | Retaining Ring |
| | 5 - 2.5 | 1 | Nut | R224106 | 4 - 1.7 | 33 | Retaining Ring |
| R216058 | 1 - 5.7 | 17 | Nut | R224368 | 4 - 1.22 | 6 | Valve Spring - Inner |
| | 4 - 1.19 | 35 | Nut | R224369 | 4 - 1.22 | 5 | Valve Spring - Outer |
| | 4 - 1.21 | 35 | Nut | R224466 | 4 - 1.22 | 7 | Valve Piston |
| | 4 - 1.3 | 1 | Nut | R224771 | 1 - 5.7 | 5 | Ring |
| | 4 - 1.5 | 103 | Nut | R224772 | 1 - 5.7 | 44 | Clutch Disc, Outer |
| R216268 | 1 - 5.7 | 95 | Gear | | 4 - 1.11 | 4 | Disc, Outter |
| | 1 - 5.9 | 108 | Gear | | 4 - 1.7 | 14 | Disc, Outter |
| R216388 | 4 - 1.19 | 89 | Adapter, Pump | | 4 - 1.9 | 16 | Disc, Outter |
| | 4 - 1.21 | 89 | Adapter, Pump | R224774 | 1 - 5.7 | 42 | Disc |
| R216914 | 4 - 1.19 | 11 | Spacer | | 4 - 1.11 | 2 | End Plate |
| | 4 - 1.21 | 11 | Spacer | | 4 - 1.7 | 22 | End Plate |
| R217566 | 5 - 2.5 | 9 | Shim - 004 In | | 4 - 1.9 | 23 | End Plate |
| R217567 | 5 - 2.5 | 10 | Shim - 007 In | R225313 | 1 - 5.5 | 14 | Ring |
| R217568 | 5 - 2.5 | 11 | Shim - 010 In | R225603 | 4 - 1.3 | 7 | Bearing |
| R217657 | 1 - 5.3 | 8 | Washer | | 4 - 1.7 | 3 | Bearing |
| | 4 - 1.13 | 24 | Washer | R225800 | 1 - 5.5 | 52 | Bearing |
| | 4 - 1.13 | 40 | Washer | R225823 | 4 - 1.5 | 109 | Seal |
| R218504 | 5 - 2.5 | 38 | Shaft | | 5 - 2.5 | 8 | Seal |
| R219370 | 4 - 1.3 | 28 | Plug | | 5 - 2.5 | 44 | Seal |
| R220079 | 4 - 1.11 | 11 | Pistion Ring | R225930 | 4 - 1.19 | 10 | Bearing |
| R220100 | 8 - 2.5 | 21 | Nut | | 4 - 1.21 | 10 | Bearing |
| R220700 | 8 - 2.5 | 24 | Nut | R225956 | 1 - 5.9 | 101 | Bearing |
| R220983 | 4 - 1.22 | 2 | Valve Stop | R226862 | 1 - 5.9 | 116 | Stud |
| R221408 | 1 - 5.9 | 104 | Cap | R227881 | 4 - 1.15 | 47 | Cup |
| R222006 | 4 - 1.19 | 79 | Sleeve | R228301 | 9 - 1.1 | 39 | Nut |
| | 4 - 1.21 | 79 | Sleeve | | 9 - 1.2 | 39 | Nut |
| R222079 | 4 - 1.19 | 45 | Piston Ring | R228931 | 4 - 1.13 | 31 | Seal |
| | 4 - 1.21 | 45 | Piston Ring | R229566 | 4 - 1.19 | 64 | Spacer |
| R222312 | 4 - 1.22 | 13 | Spring | | 4 - 1.21 | 64 | Spacer |
| R222318 | 4 - 1.22 | 14 | Plunger | R230690 | 5 - 2.5 | 7 | Cap |

| Part No. | Page | Item | Description | Part No. | Page | Item | Description |
|----------|----------|------|--------------------|----------|----------|------|-----------------------|
| R230822 | 1 - 5.7 | 40 | Spring | R231405 | 4 - 1.5 | 129 | Spacer |
| | 4 - 1.11 | 26 | Spring | R231406 | 4 - 1.5 | 130 | Output Shaft |
| | 4 - 1.7 | 24 | Spring | R231553 | 1 - 5.7 | 14 | Flange |
| | 4 - 1.9 | 25 | Spring | | 4 - 1.3 | 4 | Flange |
| R230851 | 1 - 5.7 | 24 | Race | | 4 - 1.5 | 100 | Flange |
| | 4 - 1.3 | 12 | Lock | R231606 | 4 - 1.3 | 50 | Gasket |
| R230857 | 1 - 5.7 | 3 | Seal | R231611 | 4 - 1.3 | 58 | Transmission Case Asm |
| | 4 - 1.11 | 7 | Seal | R231624 | 4 - 1.3 | 42 | Race and Roller Asm |
| | 4 - 1.7 | 18 | Seal | | 4 - 1.3 | 44 | Race and Roller Asm |
| | 4 - 1.9 | 19 | Seal | R231628 | 4 - 1.3 | 21 | Tube Asm |
| R230860 | 4 - 1.7 | 26 | Bearing | R231629 | 4 - 1.3 | 16 | Tube Asm |
| R230871 | 4 - 1.7 | 31 | Gear | R231636 | 4 - 1.3 | 38 | Shaft |
| R230886 | 4 - 1.11 | 17 | Bearing | R231639 | 4 - 1.15 | 15 | Nut |
| R230888 | 4 - 1.11 | 19 | Retaining Ring | R231646 | 4 - 1.5 | 92 | Bearing |
| R230900 | 4 - 1.3 | 60 | Tube | R231693 | 4 - 1.15 | 6 | Housing |
| R230906 | 4 - 1.7 | 29 | Spacer | | 5 - 2.5 | 36 | Housing |
| R230911 | 1 - 5.7 | 43 | Clutch Disc, Inner | R231695 | 4 - 1.5 | 88 | Idler Shaft |
| | 4 - 1.11 | 3 | Disc, Inner | R231699 | 4 - 1.15 | 12 | Plate |
| R230921 | 4 - 1.3 | 54 | Retainer | | 5 - 2.5 | 34 | Plate |
| R230952 | 4 - 1.5 | 93 | Ring | R231701 | 4 - 1.15 | 27 | Ring |
| R230954 | 4 - 1.5 | 121 | Oil Seal | | 5 - 2.5 | 48 | Ring |
| R230968 | 4 - 1.11 | 9 | Bearing | R231703 | 4 - 1.15 | 57 | Shaft |
| R231017 | 1 - 5.5 | 31 | Seal | R231704 | 4 - 1.15 | 29 | Shaft |
| R231034 | 4 - 1.15 | 43 | Spring | R231705 | 4 - 1.15 | 39 | Screw |
| R231048 | 4 - 1.3 | 17 | Clip | | 5 - 2.5 | 74 | Screw |
| R231055 | 4 - 1.15 | 8 | Pin | R231708 | 4 - 1.15 | 28 | Seal |
| | 5 - 2.5 | 30 | Pin | R231709 | 4 - 1.15 | 37 | Washer |
| R231155 | 4 - 1.13 | 29 | Spool | | 5 - 2.5 | 76 | Washer |
| R231158 | 4 - 1.13 | 39 | Spool | R231749 | 5 - 2.5 | 4 | Flange |
| R231164 | 4 - 1.13 | 28 | Spring | | 5 - 2.5 | 73 | Flange |
| R231176 | 4 - 1.11 | 13 | Bearing Cap | R231751 | 4 - 1.15 | 56 | Plug |
| R231193 | 4 - 1.11 | 12 | Gasket | R231782 | 4 - 1.3 | 25 | Shaft |
| R231194 | 4 - 1.11 | 8 | Clutch Drum | R231811 | 1 - 5.5 | 22 | Split Ring |
| R231229 | 4 - 1.11 | 22 | Gear | R231817 | 4 - 1.5 | 111 | Cap |
| R231261 | 1 - 5.7 | 33 | Gear | R231818 | 4 - 1.5 | 124 | Bearing Cap |
| R231267 | 1 - 5.7 | 69 | Gear | R231839 | 4 - 1.13 | 13 | Spacer |
| R231274 | 1 - 5.7 | 62 | Shim - 040 | R231840 | 4 - 1.13 | 23 | Spacer |
| R231275 | 1 - 5.7 | 62 | Shim - 070 | R231842 | 1 - 5.5 | 50 | Seal |
| R231276 | 1 - 5.7 | 62 | Shim - 010 | R231848 | 4 - 1.5 | 125 | Shim - 004 in |
| R231278 | 1 - 5.7 | 66 | Cover | R231849 | 4 - 1.5 | 125A | Shim - 007 in |
| R231279 | 1 - 5.7 | 65 | Gasket | R231850 | 4 - 1.5 | 125B | Shim - 010 in |
| R231283 | 1 - 5.7 | 82 | Shim, Shaft - 004 | R231851 | 4 - 1.5 | 125C | Shim - 020 in |
| R231284 | 1 - 5.7 | 82 | Shim, Shaft - 007 | R231904 | 4 - 1.21 | 53 | Gear |
| R231285 | 1 - 5.7 | 82 | Shim, Shaft - 010 | R231905 | 4 - 1.21 | 9 | Gear |
| R231290 | 1 - 5.5 | 56 | Shaft | R232081 | 4 - 1.11 | 10 | Retaining Ring |
| R231292 | 1 - 5.5 | 68 | Cover | R232088 | 4 - 1.7 | 23 | Retainer |
| R231293 | 1 - 5.5 | 65 | Gasket | | 4 - 1.9 | 24 | Retainer |
| R231294 | 1 - 5.5 | 53 | Support | R232089 | 1 - 5.7 | 39 | Retainer |
| R231303 | 1 - 5.5 | 29 | Seal | | 4 - 1.7 | 25 | Retainer |
| R231308 | 1 - 5.5 | 12 | Gasket | | 4 - 1.9 | 26 | Retainer |
| R231319 | 1 - 5.3 | 2 | Spring | R232157 | 1 - 5.7 | 50 | Piston |
| R231320 | 1 - 5.3 | 7 | Spacer | R232159 | 1 - 5.7 | 52 | Disc |
| R231332 | 1 - 5.5 | 26 | Spring | R232160 | 1 - 5.7 | 55 | Nub |
| R231333 | 1 - 5.5 | 27 | Spring | R232162 | 1 - 5.7 | 47 | Cover |
| R231336 | 1 - 5.5 | 20 | Seal | R232239 | 1 - 5.5 | 28 | Piston |
| R231338 | 1 - 5.5 | 15 | Bearing | R232240 | 1 - 5.5 | 34 | Plug |
| R231387 | 1 - 5.3 | 6 | Retainer | R232257 | 1 - 5.7 | 53 | Housing |
| R231399 | 1 - 5.5 | 61 | Drain Hose Asm | R232281 | 1 - 5.7 | 97 | Housing |

| Part No. | Page | Item | Description | Part No. | Page | Item | Description |
|----------|----------|------|------------------------------|----------|----------|------|-----------------|
| R232282 | 1 - 5.9 | 118 | Bearing | R234836 | 4 - 1.3 | 47 | Tube |
| R232283 | 1 - 5.9 | 109 | Shaft | R234864 | 4 - 1.3 | 41 | Shaft |
| R232313 | 4 - 1.7 | 28 | Gear | R235058 | 4 - 1.13 | 19 | Plug |
| R232348 | 1 - 5.7 | 70 | Tube | R235061 | 4 - 1.13 | 18 | Washer |
| R232349 | 1 - 5.7 | 63 | Sprag, Outer Race | R235091 | 1 - 5.9 | 113 | Cap |
| R232350 | 1 - 5.7 | 57 | Race | | 4 - 1.19 | 30 | Retainer |
| R232351 | 1 - 5.7 | 59 | Sprag Asm | | 4 - 1.21 | 30 | Retainer |
| R232362 | 1 - 5.7 | 80 | Cone | R235435 | 4 - 1.15 | 59 | Yoke |
| R232363 | 1 - 5.7 | 75 | Shaft | R2354558 | 7 - 1.1 | 21 | Washer |
| R232365 | 1 - 5.7 | 84 | Shim, Cover - 004 | R235563 | 1 - 5.7 | 7 | Input Shaft |
| R232366 | 1 - 5.7 | 84 | Shim, Cover - 007 | R235961 | 4 - 1.19 | 19 | Gasket |
| R232367 | 1 - 5.7 | 84 | Shim, Cover - 010 | | 4 - 1.19 | 88 | Gasket |
| R232368 | 1 - 5.5 | 58 | Gear | | 4 - 1.21 | 88 | Gasket |
| R232369 | 1 - 5.5 | 41 | Drum, Cable | | 4 - 1.21 | 19 | Gasket |
| R232370 | 1 - 5.5 | 43 | Hub | R236810 | 4 - 1.7 | 13 | End Plate |
| R232574 | 1 - 5.5 | 39 | Sleeve | | 4 - 1.9 | 14 | End Plate |
| R232635 | 1 - 5.5 | 45 | Disc, Outer | R236821 | 4 - 1.3 | 51 | Spacer |
| R232715 | 1 - 5.7 | 62 | Shim - 020 | R236823 | 4 - 1.3 | 53 | Dowel Pin |
| R232901 | 1 - 5.5 | 19 | Cover | R236892 | 4 - 1.15 | 24 | Piston |
| R232903 | 1 - 5.5 | 7 | Spring | | 5 - 2.5 | 45 | Piston |
| R232943 | 1 - 5.5 | 11 | Cap | R236893 | 4 - 1.15 | 45 | Piston |
| R232944 | 1 - 5.5 | 8 | Bolt | R236937 | 4 - 1.19 | 81 | Back Plate |
| R232947 | 1 - 5.5 | 5 | Lock | | 4 - 1.21 | 81 | Back Plate |
| R233029 | 1 - 5.5 | 46 | Spring | R236989 | 4 - 1.7 | 15 | Disc, Inner |
| R233128 | 4 - 1.19 | 21 | Screw and Lockwasher | | 4 - 1.9 | 15 | Disc, Inner |
| | 4 - 1.19 | 77 | Screw and Lockwasher | R237025 | 4 - 1.19 | 54 | Oil Seal |
| | 4 - 1.19 | 86 | Screw and Lockwasher | | 4 - 1.21 | 54 | Oil Seal |
| | 4 - 1.21 | 77 | Screw and Lockwasher | R237086 | 4 - 1.13 | 43 | Gasket |
| | 4 - 1.21 | 86 | Screw and Lockwasher | R237122 | 4 - 1.9 | 20 | Clutch Drum Asm |
| | 4 - 1.21 | 21 | Screw and Lockwasher | R237127 | 4 - 1.7 | 19 | Drum Shaft Asm |
| | 4 - 1.22 | 10 | Screw, Lockwasher | R237230 | 4 - 1.19 | 59 | Impeller |
| R233166 | 4 - 1.23 | 7 | Thrust Plate and Bearing Asm | | 4 - 1.21 | 59 | Impeller |
| | 4 - 1.7 | 21 | Disc, Inner | R237232 | 4 - 1.19 | 61 | Hub |
| | 4 - 1.9 | 22 | Disc, Inner | | 4 - 1.21 | 61 | Hub |
| R233194 | 1 - 5.7 | 85 | Cover | R237233 | 4 - 1.19 | 57 | Screw |
| R233302 | 1 - 5.7 | 78 | Hub | | 4 - 1.21 | 57 | Screw |
| R233390 | 4 - 1.7 | 30 | Bearing | R237234 | 4 - 1.19 | 58 | Backing Ring |
| R233488 | 4 - 1.7 | 4 | Bearing | | 4 - 1.21 | 58 | Backing Ring |
| | 4 - 1.9 | 5 | Bearing | R237242 | 4 - 1.19 | 51 | Piston Ring |
| R233534 | 4 - 1.15 | 3 | Screw | | 4 - 1.21 | 51 | Piston Ring |
| R233598 | 1 - 5.7 | 1 | Air Breather Check Valve Asm | R237275 | 4 - 1.13 | 34 | Pin |
| | 4 - 1.19 | 83 | Breather Asm | R237329 | 1 - 5.5 | 25 | Support |
| | 4 - 1.21 | 83 | Breather Asm | R237331 | 4 - 1.15 | 53 | Back-up Ring |
| R233652 | 4 - 1.5 | 104 | Gear | R237405 | 4 - 1.19 | 47 | Sleeve Asm |
| R233656 | 4 - 1.5 | 90 | Gear | | 4 - 1.21 | 47 | Sleeve Asm |
| R233850 | 1 - 5.7 | 58 | Retainer | R237548 | 4 - 1.19 | 14 | Drive Shaft |
| R233858 | 1 - 5.5 | 63 | Case | | 4 - 1.21 | 14 | Drive Shaft |
| R233888 | 4 - 1.15 | 1 | Adapter | R237572 | 4 - 1.19 | 65 | Reaction Member |
| R233895 | 4 - 1.15 | 20 | Stud | | 4 - 1.21 | 65 | Reaction Member |
| R234640 | 4 - 1.23 | 8 | Wave Spring | R237576 | 4 - 1.3 | 11 | Sleeve |
| R234643 | 4 - 1.23 | 9 | Seal | R237698 | 4 - 1.13 | 32 | Seal |
| R234651 | 1 - 5.3 | 10 | Oil Seal | R237749 | 4 - 1.15 | 4 | Hub |
| | 4 - 1.13 | 42 | Oil Seal | R237843 | 5 - 2.5 | 23 | Case |
| | 4 - 1.13 | 26 | Oil Seal | R237848 | 5 - 2.5 | 39 | Spacer |
| R234663 | 4 - 1.13 | 10 | Gasket | R237972 | 4 - 1.5 | 96 | Beairng |
| R234830 | 4 - 1.23 | 5 | Thrust Plate and Bearing Asm | R238027 | 5 - 1.3 | 43 | Mid Mount Brake |
| R234834 | 4 - 1.15 | 9 | Spring | | 5 - 1.5 | 43 | Mid Mount Brake |
| | 5 - 2.5 | 31 | Spring | | 5 - 2.5 | | Mid-Mount Brake |

| Part No. | Page | Item | Description | Part No. | Page | Item | Description |
|----------|----------|------|----------------------------|----------|----------|------|--------------------------|
| R238071 | 5 - 2.5 | 17 | Baffle Plate | R242532 | 4 - 1.13 | 11 | Switch |
| | 5 - 2.5 | 22 | Stud | R243262 | 4 - 1.19 | 66 | Snap Ring |
| R238115 | 4 - 1.23 | 3 | Plate | | 4 - 1.21 | 66 | Snap Ring |
| R238116 | 4 - 1.23 | 10 | Gasket | R243373 | 4 - 1.13 | | Valve Assembly |
| R238131 | 4 - 1.23 | 12 | Pump Body | R243375 | 4 - 1.3 | 78 | Gasket |
| R238134 | 4 - 1.23 | 13 | Shaft Asm | R243377 | 4 - 1.3 | 20 | Tube Asm |
| R238135 | 4 - 1.19 | 20 | Charging Pump | R243379 | 4 - 1.3 | 9 | Cover |
| | 4 - 1.21 | 20 | Charging Pump (4 - 1.23) | R243970 | 4 - 1.19 | 80 | Screw |
| | 4 - 1.23 | | Charging Pump | | 4 - 1.21 | 80 | Screw |
| R238136 | 4 - 1.23 | 6 | Drive Shaft Asm | R243979 | 1 - 5.5 | 44 | Ring |
| R238160 | 5 - 2.5 | 50 | Cover | R244437 | 4 - 1.3 | 81 | Gasket |
| R238161 | 5 - 2.5 | | Cover Asm | R244585 | 4 - 1.11 | 6 | Ring |
| R238163 | 5 - 2.5 | 82 | Shaft | | 4 - 1.7 | 17 | Seal |
| | 5 - 2.5 | 80 | Shaft | | 4 - 1.9 | 18 | Seal |
| R238164 | 5 - 2.5 | 20 | Tube Asm, LH | R245136 | 4 - 1.5 | 94 | Shaft |
| R238165 | 5 - 2.5 | 21 | Tube Asm, RH | R245669 | 1 - 5.5 | 6 | Bolt |
| R238186 | 5 - 2.5 | | Case Asm | R245935 | 1 - 5.5 | 47 | Disc, Inner |
| R238270 | 4 - 1.15 | 41 | Stop | R246706 | 4 - 1.3 | 43 | Gear |
| R238341 | 5 - 2.5 | 41 | Hub | R246818 | 1 - 5.7 | 23 | Race |
| R238425 | 4 - 1.15 | 32 | Seat | R246855 | 4 - 1.3 | 84 | Plate |
| | 5 - 2.5 | 49 | Seat | R246856 | 4 - 1.3 | 83 | Gasket |
| R238426 | 4 - 1.15 | 54 | Seat | R246923 | 4 - 1.3 | 80 | Housing |
| | 5 - 2.5 | 51 | Seat | R247014 | 1 - 5.5 | 42 | Seal |
| R238705 | 4 - 1.19 | 63 | Snap Ring | R247348 | 4 - 1.19 | 28 | Bearing |
| | 4 - 1.21 | 63 | Snap Ring | | 4 - 1.21 | 28 | Bearing |
| R238743 | 4 - 1.19 | 62 | Bearing | R247487 | 4 - 1.19 | 17 | Snap Ring |
| | 4 - 1.21 | 62 | Bearing | | 4 - 1.21 | 17 | Snap Ring |
| R2388986 | 2 - 4.1 | 29 | Fitting | R2512840 | 5 - 2.2 | 1 | Switch |
| R239216 | 1 - 5.5 | 33 | Clutch | R2515307 | 8 - 2.5 | 35 | Gauge |
| R239230 | 4 - 1.7 | 10 | Retainer | R2516951 | 7 - 1.2 | 9 | Seal |
| | 4 - 1.9 | 11 | Retainer | R2526177 | 9 - 4.4 | 20 | Barrel & Base Asm |
| R239243 | 4 - 1.13 | 27 | Plug | R2529808 | 1 - 4.1 | 24A | Spacer |
| R239742 | 4 - 1.11 | 18 | Bearing | | 6 - 2.3 | 7 | Spacer |
| | 4 - 1.19 | 44 | Bearing | | 9 - 1.17 | 7 | Spacer |
| | 4 - 1.21 | 44 | Bearing | | 9 - 1.19 | 7 | Spacer |
| R2399493 | 4 - 1.15 | 50 | Housing | | 9 - 1.9 | 9 | Spacer |
| R239953 | 4 - 1.9 | 27 | Gear | R2534199 | 0 - 3.1 | 17 | Decal |
| R240467 | 4 - 1.19 | 69 | Turbine | | 0 - 3.2 | 17 | Decal |
| | 4 - 1.21 | 69 | Turbine | R2534215 | 0 - 3.1 | 18 | Decal |
| R240978 | 4 - 1.15 | 44 | Spool | | 0 - 3.2 | 18 | Decal |
| R240979 | 4 - 1.15 | 48 | Expander | R2535815 | 9 - 4.3 | 1 | Barrel & Base Asm |
| R241077 | 4 - 1.13 | 6 | Spring | R2536249 | 0 - 3.1 | 19 | Decal |
| R241631 | 4 - 1.13 | 22 | Spool | | 0 - 3.2 | 19 | Decal |
| R241636 | 4 - 1.13 | | Transmission Control Valve | R2542570 | 9 - 4.3 | | Seal Kit |
| | 4 - 1.16 | 17 | Transmission Control Valve | R2542721 | 2 - 7.4 | 14 | Decal |
| | 4 - 1.3 | 77 | Valve Asm | R2551403 | 9 - 4.4 | | Seal Kit |
| R241669 | 4 - 1.13 | 7 | Spring | R2552108 | 9 - 4.4 | 13 | Packing Gland |
| R241681 | 4 - 1.3 | 39 | Gear | R2552109 | 9 - 4.4 | 17 | Retainer, Gland |
| R241684 | 4 - 1.3 | 24 | Bearing | R255211 | 9 - 4.4 | 1 | Stem & Eye Asm |
| R241917 | 4 - 1.11 | 27 | Retainer | R2552113 | 9 - 4.4 | 6 | Piston |
| R242044 | 1 - 5.2 | 1 | Valve, Winch Ctrl | R2552115 | 9 - 1.17 | 2 | Cylinder |
| | 1 - 5.3 | | Winch Control Valve | | 9 - 1.19 | 2 | Cylinder |
| R242045 | 4 - 1.19 | 70 | Backing Ring | | 9 - 4.1 | 4 | Arch Cylinder |
| | 4 - 1.21 | 70 | Backing Ring | | 9 - 4.1 | 3 | Boom Cylinder |
| R242046 | 4 - 1.19 | 71 | Screw | | 9 - 4.4 | | Para. Arch/Boom Cylinder |
| | 4 - 1.21 | 71 | Screw | R2552116 | 9 - 4.2 | 2 | Dowel Pin |
| R242404 | 4 - 1.3 | 69 | Cover, Rear | | 9 - 4.3 | 2 | Dowel Pin |
| R242408 | 4 - 1.3 | 68 | Gasket | | 9 - 4.4 | 3 | Dowel Pin |

| Part No. | Page | Item | Description | Part No. | Page | Item | Description |
|-----------|----------|------|-----------------------------|----------|----------|------|----------------------|
| R2552116 | 9 - 4.5 | 4 | Dowell Pin | R4010888 | 6 - 2.1 | 6 | Wear Plate |
| R2552354 | 9 - 4.2 | 16 | Retainer, Gland | R4010889 | 6 - 2.1 | 7 | Drive |
| | 9 - 4.3 | 16 | Retainer, Gland | R4010891 | 6 - 2.1 | 14 | Bearing |
| R2552356 | 9 - 4.3 | 5 | Piston | R4010892 | 6 - 2.1 | 13 | Race, Bearing |
| R2552358 | 9 - 4.3 | 19 | Stem & Eye Asm | R4010893 | 6 - 2.1 | 18 | Retainer, Front |
| R255236 | 6 - 2.3 | 1 | Hydraulic Cylinder | R4010895 | 6 - 2.1 | 17 | O-Ring |
| R2552360 | 9 - 4.3 | 12 | Packing Gland | R4010896 | 6 - 2.1 | 16 | Seal |
| R2552361 | 9 - 4.1 | 2 | Steering Cylinder | R4010897 | 6 - 2.1 | 19 | Ring, Retainer |
| | 9 - 4.3 | | Steering Hydraulic Cylinder | R4010899 | 6 - 2.1 | 15 | O-Ring |
| R2552367 | 8 - 2.5 | 19 | Hour meter | R4010900 | 6 - 2.1 | 21 | Retainer, Check Ball |
| R2552532 | 9 - 4.5 | 1 | Stem & Eye Asm | R4010901 | 6 - 2.1 | 22 | Check Ball |
| R2553206 | 9 - 4.4 | 9 | Ring | R4010902 | 6 - 2.1 | 23 | Seat |
| R2553562 | 9 - 4.3 | 4 | Washer | R4010903 | 6 - 2.1 | 24 | O-Ring |
| R2553563 | 9 - 4.4 | 5 | Washer | R4010904 | 6 - 2.1 | 25 | O-Ring |
| R2556831 | 1 - 4.1 | 36 | IDPlate | R4010905 | 6 - 2.1 | 26 | Set Screw |
| R2557201 | 0 - 3.1 | 20 | Decal | R4010917 | 6 - 2.1 | | Seal Kit |
| | 0 - 3.2 | 20 | Decal | R4011012 | 4 - 1.3 | 37 | Bearing |
| R270202 | 2 - 2.1 | 7 | Pin, Cotter | R4016120 | 8 - 3.17 | 26 | Stud, Weld |
| R290155 | 9 - 1.1 | 23 | Fitting | R4019726 | 7 - 1.2 | 4 | Bearing, Spherical |
| R290416 | 4 - 1.25 | 30 | Fitting | R4064001 | 1 - 5.7 | 56 | Cup |
| | 9 - 6.1 | 11 | Fitting | R4064002 | 1 - 5.7 | 56 | Cone |
| R290602 | 9 - 1.1 | 21 | Fitting | R4086970 | 6 - 1.5 | 14 | Mount |
| R290605 | 2 - 7.2 | 28 | Fitting | | 8 - 2.2 | 14 | Mount |
| | 2 - 7.3 | 28 | Fitting | R4094926 | 4 - 3.3 | 22 | Washer |
| R291474 | 4 - 1.17 | 1 | Converter | | 4 - 3.9 | 22 | Washer |
| | 4 - 1.19 | | Converter | R4094929 | 4 - 3.9 | 33 | Stud |
| | 4 - 1.19 | 7 | Regulator Valve | R4094932 | 4 - 3.9 | 32 | Dowel |
| R291701 | 2 - 5.1 | 12 | Elbow | R4094933 | 4 - 3.5 | 33 | Washer |
| R300038 | 8 - 3.3 | 7 | Hose, Heater | | 4 - 3.9 | 10 | Washer |
| | 8 - 3.6 | 6 | Hose, Heater | | 4 - 3.9 | 31 | Washer |
| R300086 | 8 - 3.15 | 6 | Hose | R4094937 | 4 - 3.9 | 28 | Stud |
| R31010012 | 9 - 1.1 | 5 | Gauge, Sight | R4094948 | 4 - 3.11 | 10 | Cage Asm |
| | 9 - 1.2 | 5 | Gauge, Sight | R4094968 | 4 - 3.12 | 5 | Thrust Washer |
| R3221996 | 5 - 2.2 | 3 | Grommet | R4094970 | 4 - 3.12 | 8 | Spacer |
| R330306 | 9 - 1.1 | 24 | Coupler | R4094974 | 4 - 3.11 | 34 | Lock |
| | 9 - 1.2 | 24 | Coupler | | 4 - 3.5 | 34 | Lock |
| | 9 - 1.3 | 11 | Coupler | R4094987 | 4 - 3.11 | | Screw |
| R330307 | 9 - 1.2 | 64 | Coupler | R4094988 | 4 - 1.15 | 2 | Washer |
| | 9 - 1.3 | 12 | Coupler | | 4 - 3.11 | 33 | Washer |
| R330325 | 9 - 1.13 | 13 | Coupler | | 4 - 3.3 | 10 | Washer |
| R330328 | 9 - 1.1 | 25 | Cap, Dust | | 4 - 3.3 | 31 | Washer |
| | 9 - 1.2 | 25 | Cap, Dust | R4094990 | 4 - 3.11 | 5 | Bolt |
| | 9 - 1.3 | 13 | Cap, Dust | R4095004 | 4 - 3.11 | 8 | Shim |
| | 9 - 6.1 | 17 | Cap, Dust | R4095037 | 1 - 5.9 | 110 | Retaining Ring |
| R330334 | 9 - 1.13 | 14 | Cover, Dust | | 4 - 1.3 | 6 | Snap Ring |
| R330727 | 5 - 1.3 | 14 | Fitting | | 4 - 1.5 | 86 | Snap Ring |
| | 5 - 1.5 | 14 | Fitting | R4095045 | 1 - 5.5 | 51 | Snap Ring |
| R358394 | 2 - 4.1 | 13 | Valve | R4095065 | 1 - 3.2 | 24 | Snap Ring |
| R395194 | 5 - 2.2 | | Parking Brake Control | R4095201 | 4 - 1.15 | 5 | Ring |
| R3951954 | 5 - 2.2 | 14 | Lever Asm | | 5 - 2.5 | 40 | Ring |
| R3984428 | 2 - 5.3 | 2 | Cover Assembly | R4095205 | 4 - 1.15 | 10 | Disc |
| R3984429 | 2 - 5.3 | 3 | Body | | 5 - 2.5 | 32 | Disc |
| R400009 | 8 - 3.3 | 38 | Oil, Refrigerant | R4095206 | 4 - 1.15 | 11 | Disc |
| R4010883 | 6 - 2.1 | 1 | Capscrew | | 5 - 2.5 | 33 | Disc |
| R4010884 | 6 - 2.1 | 2 | Cap | R4095341 | 1 - 5.5 | 66 | Tube |
| R4010885 | 6 - 2.1 | 3 | Seal | R4095394 | 1 - 5.5 | 54 | O-Ring |
| R4010886 | 6 - 2.1 | 4 | Gerotor Sub-Assembly | R4095451 | 4 - 2.3 | 4 | Washer |
| R4010887 | 6 - 2.1 | 5 | Spacer | R4200080 | 4 - 1.15 | 49 | Spring |

| Part No. | Page | Item | Description | Part No. | Page | Item | Description |
|----------|----------|------|------------------------|----------|----------|------|-----------------|
| R4400409 | 9 - 1.1 | 34 | Valve, Drain | | 2 - 6.1 | 23 | Washer |
| | 9 - 1.2 | 34 | Valve, Drain | R616841 | 1 - 1.1 | 17 | Washer |
| R4480028 | 4 - 1.19 | 46 | Shaft | R616880 | 2 - 6.1 | 24 | Washer |
| | 4 - 1.21 | 46 | Shaft | R619023 | 4 - 1.15 | 36 | Washer |
| R4480275 | 4 - 1.22 | 3 | O-Ring | R626787 | 9 - 4.5 | 3 | Washer |
| R4480360 | 4 - 1.19 | 1 | Converter Housing | R635373 | 5 - 2.2 | 9 | Spacer |
| | 4 - 1.21 | 1 | Converter Housing | R641297 | 4 - 1.15 | 55 | Bleed Screw |
| R4480364 | 4 - 1.19 | 23 | Snap Ring | | 4 - 1.15 | 33 | Bleed Screw |
| | 4 - 1.21 | 23 | Snap Ring<P10B> | | 5 - 2.5 | 52 | Bleed Screw |
| R4480365 | 4 - 1.19 | 24 | Bearing | R645092 | 5 - 2.2 | 13 | Link Spacer |
| | 4 - 1.21 | 24 | Bearing | R6513640 | 5 - 1.3 | 22 | Plug |
| R4480388 | 4 - 1.23 | 1 | Screw | | 5 - 1.5 | 22 | Plug |
| R4480407 | 4 - 1.19 | 90 | Screw | | 8 - 2.5 | 1 | Plug, Button |
| | 4 - 1.21 | 90 | Screw | R6515007 | 8 - 2.5 | 37 | Air Restrictor |
| R4500016 | 2 - 7.2 | 29 | Switch, Press | R6515575 | 2 - 4.1 | 24 | Clamp, Hose |
| R4510099 | 8 - 2.5 | 29 | Lighter, Cig | R652424 | 1 - 2.1 | 5 | Shim |
| R4510152 | 8 - 2.5 | 30 | Switch, Light | R654613 | 1 - 5.7 | 37 | Snap Ring |
| | 8 - 2.7 | 3 | Switch, Light | R656247 | 2 - 4.1 | 25 | Hose, Fuel |
| | 8 - 3.17 | 16 | Switch, Light | R659065 | 4 - 1.19 | 67 | Retaining Ring |
| R4510187 | 8 - 2.7 | 19 | Switch, Light | | 4 - 1.19 | 72 | Retaining Ring |
| | 8 - 3.17 | 18 | Switch, Light | | 4 - 1.21 | 67 | Retaining Ring |
| R4510197 | 8 - 2.7 | 15 | Relay | | 4 - 1.21 | 72 | Retaining Ring |
| | 8 - 3.3 | 39 | Relay | R660178 | 4 - 1.22 | 4 | Roll Pin |
| R4510225 | 2 - 7.2 | 30 | Sender, Oil Press | R661312 | 9 - 4.3 | 3 | Snap Ring |
| | 2 - 7.3 | 30 | Sender, Oil Press | R661847 | 1 - 5.2 | 11 | Bolt |
| R4510226 | 2 - 7.2 | 31 | Sender, Water Temp | R666697 | 4 - 1.5 | 127 | Bearing Cup |
| | 2 - 7.3 | 31 | Sender, Water Temp | R666842 | 8 - 3.3 | 24 | Fitting |
| R4510230 | 4 - 1.25 | 61 | Sender, Converter Temp | | 8 - 3.6 | 17 | Fitting |
| R4510231 | 4 - 1.25 | 67 | Switch, Converter Temp | R675252 | 4 - 3.5 | 38 | Cup |
| R4510234 | 8 - 3.17 | 19 | Relay | R675254 | 4 - 3.5 | 39 | Cone |
| R4510235 | 8 - 2.5 | 31 | Lamp, 12v | R675255 | 4 - 3.11 | 38 | Cup |
| | 8 - 2.7 | 5 | Lamp, 12v | R675259 | 4 - 3.5 | 11 | Cap |
| | 8 - 3.17 | 20 | Lamp, 12v | R675260 | 4 - 3.5 | 12 | Cone |
| R4510243 | 8 - 2.5 | 32 | Symbol, Declutch | R675262 | 4 - 3.5 | 28 | Cup |
| R456294 | 4 - 1.23 | 4 | Oil Seal | R675263 | 4 - 3.5 | 27 | Cone |
| R4610069 | 8 - 2.7 | 4 | Switch, Wiper | R675265 | 4 - 3.5 | 6 | Bearing |
| R4610070 | 8 - 2.7 | 7 | Switch, Washer | R680273 | 0 - 3.1 | 29 | Decal |
| R4610400 | 8 - 3.17 | 21 | Light,work | R680274 | 0 - 3.2 | 29 | Decal |
| R5207432 | 4 - 2.3 | 6 | Seal | R680275 | 0 - 3.1 | 30 | Decal |
| R525293 | 9 - 1.1 | 33 | Magnet | | 0 - 3.2 | 30 | Decal |
| R544512 | 5 - 2.2 | 12 | Cable Clamp | R696073 | 8 - 2.5 | 42 | Button, Plug |
| R550083 | 8 - 3.3 | 16 | Nutsert | R7018416 | 4 - 1.5 | 106 | Cup |
| | 8 - 3.6 | 11 | Nutsert | R7019578 | 4 - 1.11 | 20 | Bearing |
| R550202 | 3 - 2.1 | 4 | Nut, Wing | | 4 - 1.7 | 8 | Bearing |
| R551530 | 3 - 1.1 | 24 | Switch | | 4 - 1.9 | 9 | Bearing |
| R552163 | 0 - 4.1 | 1 | Wheel Wrench | R710034 | 4 - 3.11 | 27 | Cone |
| R552164 | 0 - 4.1 | 2 | Wrench Handle | R710035 | 4 - 3.11 | 28 | Cup |
| R552433 | 8 - 3.3 | 25 | Pipcock | R711178 | 1 - 5.5 | 64 | Ring |
| | 8 - 3.6 | 19 | Pipcock | R711298 | 4 - 1.19 | 8 | Snap Ring |
| R552914 | 5 - 2.2 | 15 | Spacer | | 4 - 1.21 | 8 | Snap Ring<P10B> |
| | 6 - 1.5 | 21 | Spacer | R7181320 | 1 - 5.7 | 31 | Bearing |
| | 8 - 2.2 | 21 | Spacer | | 1 - 5.7 | 36 | Bearing |
| | 8 - 3.17 | 35 | Spacer | R7183689 | 4 - 3.3 | 12 | Bearing |
| R565295 | 2 - 4.1 | 15 | Plug | R720154 | 9 - 1.1 | 16 | Seal |
| R569739 | 2 - 6.1 | 22 | Mount | | 9 - 1.2 | 16 | Seal |
| R584501 | 2 - 4.1 | 19 | Mount | | 9 - 1.3 | 18 | Seal |
| R616502 | 1 - 3.2 | 37 | Link | R731160 | 1 - 5.7 | 34 | Ring |
| R616796 | 2 - 4.1 | 18 | Washer | | 4 - 1.11 | 23 | Ring |

| Part No. | Page | Item | Description | Part No. | Page | Item | Description |
|----------|----------|------|---------------------------|----------|----------|------|-------------|
| R731160 | 4 - 1.7 | 7 | Ring | | 9 - 1.21 | 25 | Fitting |
| | 4 - 1.9 | 8 | Ring | R833002 | 4 - 1.25 | 75 | Fitting |
| R731346 | 4 - 3.9 | 18 | Bearing Cup | R833101 | 6 - 1.5 | 18 | Fitting |
| R740009 | 9 - 5.2 | 25 | Tube | R833102 | 9 - 1.11 | 26 | Fitting |
| R740042 | 8 - 3.3 | 20 | Loom | R833103 | 4 - 1.25 | 32 | Fitting |
| | 8 - 3.6 | 15 | Loom | | 5 - 1.3 | 12 | Fitting |
| R740213 | 4 - 1.26 | 5 | Diode Asm | | 5 - 1.5 | 12 | Fitting |
| | 4 - 1.27 | 5 | Diode Asm | | 5 - 1.5 | 59 | Fitting |
| R740329 | 8 - 2.7 | 1 | Wire Harness, Upper Panel | R833107 | 9 - 1.11 | 25 | Fitting |
| R740707 | 8 - 2.5 | 41 | Terminal Ring | R833108 | 5 - 1.3 | 27 | Fitting |
| R740722 | 8 - 3.17 | 13 | Clip, Cable | | 5 - 1.3 | 16 | Fitting |
| R740765 | 8 - 2.7 | 12 | Fuse | | 5 - 1.5 | 27 | Fitting |
| | 8 - 3.17 | 14 | Fuse | | 5 - 1.5 | 57 | Fitting |
| R740797 | 8 - 2.7 | 2 | Fuse | | 5 - 1.5 | 16 | Fitting |
| R740819 | 3 - 1.1 | 26 | Circuit Breaker | | 9 - 1.11 | 21 | Fitting |
| R740821 | 8 - 3.17 | 24 | Circuit Breaker | R833109 | 4 - 1.25 | 33 | Fitting |
| | 8 - 3.3 | 17 | Circuit Breaker | R833112 | 4 - 1.25 | 34 | Fitting |
| | 8 - 3.6 | 20 | Circuit Breaker | | 9 - 1.4 | 14 | Fitting |
| | 9 - 1.1 | 43 | Circuit Breaker | | 9 - 1.5 | 14 | Fitting |
| | 9 - 1.2 | 43 | Circuit Breaker | R833113 | 6 - 1.5 | 16 | Fitting |
| R740836 | 8 - 2.5 | 39 | Nut | | 8 - 2.2 | 16 | Fitting |
| R740837 | 8 - 2.5 | 40 | Washer | | 9 - 1.4 | 8 | Fitting |
| R740865 | 8 - 3.3 | 22 | Pin | R833114 | 6 - 1.3 | 22 | Fitting |
| R740867 | 9 - 5.2 | 24 | Seal, Wire | | 6 - 1.5 | 22 | Fitting |
| R740873 | 8 - 3.3 | 18 | Connector | | 9 - 1.7 | 9 | Fitting |
| | 8 - 3.6 | 13 | Connector | R833115 | 6 - 1.3 | 3 | Fitting |
| R740874 | 9 - 5.2 | 23 | Pin, Female | | 6 - 1.5 | 3 | Fitting |
| R740882 | 8 - 3.3 | 19 | Sleeve | | 9 - 1.17 | 20 | Fitting |
| | 8 - 3.6 | 14 | Sleeve | | 9 - 1.17 | 44 | Fitting |
| R740885 | 8 - 3.3 | 21 | Connector, Wire | | 9 - 1.19 | 20 | Fitting |
| R740886 | 9 - 5.2 | 22 | Connector | | 9 - 1.19 | 44 | Fitting |
| R742261 | 4 - 3.11 | 39 | Cone | | 9 - 1.21 | 16 | Fitting |
| R743039 | 4 - 1.3 | 31 | Lockwasher | | 9 - 1.9 | 17 | Fitting |
| R743439 | 4 - 1.5 | 87 | Bearing | | 9 - 1.9 | 30 | Fitting |
| R755055 | 1 - 4.1 | 32 | Fitting | R833123 | 6 - 1.3 | 23 | Fitting |
| R774197 | 4 - 3.11 | 12 | Cone | | 6 - 1.5 | 23 | Fitting |
| R774198 | 4 - 3.11 | 11 | Cup | | 6 - 1.5 | 17 | Fitting |
| R774199 | 4 - 3.11 | 6 | Bearing | | 8 - 2.2 | 17 | Fitting |
| R774623 | 1 - 5.5 | 57 | Bearing | R833125 | 9 - 1.1 | 20 | Fitting |
| R791503 | 4 - 3.9 | 12 | Bearing | R833127 | 9 - 1.2 | 20 | Fitting |
| R801524 | 4 - 1.19 | 76 | Impeller Cover | | 9 - 1.3 | 3 | Fitting |
| | 4 - 1.21 | 76 | Impeller Cover | R833130 | 4 - 1.25 | 35 | Fitting |
| R801801 | 4 - 1.11 | | Seal and Gasket Kit | R833132 | 4 - 1.25 | 36 | Fitting |
| | 4 - 1.13 | | Seal and Gasket Kit | | 9 - 1.22 | 12 | Fitting |
| | 4 - 1.5 | | Seal and Gasket Kit | R833134 | 9 - 1.1 | 26 | Fitting |
| | 4 - 1.7 | | Seal and Gasket Kit | | 9 - 1.6 | 4 | Fitting |
| | 4 - 1.9 | | Seal and Gasket Kit | | 9 - 1.7 | 4 | Fitting |
| R801805 | 4 - 1.15 | | Seal Kit | R833135 | 9 - 1.1 | 27 | Fitting |
| R802003 | 4 - 1.19 | 56 | Oil Baffle | | 9 - 1.2 | 22 | Fitting |
| | 4 - 1.21 | 56 | Oil Baffle | | 9 - 1.3 | 7 | Fitting |
| R802237 | 1 - 5.7 | 51 | Ring | R833200 | 6 - 1.3 | 24 | Fitting |
| R815200 | 4 - 3.5 | 29 | Spacer and Shim Kit | | 6 - 1.5 | 24 | Fitting |
| R815377 | 4 - 3.11 | 29 | Spacer and Shim Kit | | 8 - 2.2 | 18 | Fitting |
| R830082 | 9 - 1.13 | 16 | Fitting | R833201 | 5 - 1.5 | 44 | Fitting |
| R830281 | 9 - 1.13 | 15 | Fitting | | 9 - 1.11 | 24 | Fitting |
| R832154 | 9 - 1.17 | 45 | Fitting | R833203 | 6 - 1.3 | 25 | Fitting |
| | 9 - 1.19 | 45 | Fitting | | 6 - 1.5 | 25 | Fitting |
| | 9 - 1.19 | 50 | Fitting | R833204 | 9 - 1.11 | 23 | Fitting |

| Part No. | Page | Item | Description | Part No. | Page | Item | Description |
|----------|----------|------|-------------|----------|----------|------|-------------|
| R833207 | 6 - 1.5 | 22 | Fitting | | 5 - 1.3 | 30 | Fitting |
| | 8 - 2.2 | 19 | Fitting | | 5 - 1.3 | 18 | Fitting |
| R833214 | 9 - 1.21 | 30 | Fitting | | 9 - 1.11 | 20 | Fitting |
| R833217 | 4 - 1.25 | 37 | Fitting | R833450 | 2 - 5.1 | 13 | Fitting |
| | 6 - 1.3 | 9 | Fitting | | 2 - 7.2 | 63 | Fitting |
| | 9 - 1.6 | 5 | Fitting | | 2 - 7.3 | 63 | Fitting |
| | 9 - 1.7 | 5 | Fitting | | 4 - 1.25 | 48 | Fitting |
| R833218 | 4 - 1.25 | 38 | Fitting | | 8 - 2.5 | 26 | Fitting |
| R833251 | 6 - 1.3 | 26 | Fitting | R833455 | 5 - 1.3 | 9 | Fitting |
| | 6 - 1.5 | 26 | Fitting | R833456 | 9 - 1.1 | 9 | Fitting |
| R833253 | 4 - 1.25 | 39 | Fitting | | 9 - 1.2 | 9 | Fitting |
| | 5 - 1.3 | 13 | Fitting | R833467 | 4 - 1.25 | 49 | Fitting |
| | 5 - 1.3 | 38 | Fitting | R833469 | 9 - 1.11 | 19 | Fitting |
| | 5 - 1.5 | 13 | Fitting | R833500 | 2 - 7.2 | 62 | Fitting |
| | 5 - 1.5 | 38 | Fitting | | 2 - 7.3 | 62 | Fitting |
| | 9 - 1.17 | 35 | Fitting | | 4 - 1.25 | 50 | Fitting |
| | 9 - 1.19 | 35 | Fitting | R833550 | 4 - 1.25 | 51 | Fitting |
| | 9 - 1.19 | 46 | Fitting | | 9 - 1.13 | 25 | Fitting |
| R833256 | 9 - 1.11 | 28 | Fitting | | 9 - 1.15 | 21 | Fitting |
| R833257 | 4 - 1.25 | 40 | Fitting | R833557 | 9 - 1.1 | 12 | Fitting |
| | 5 - 1.3 | 32 | Fitting | | 9 - 1.2 | 12 | Fitting |
| | 5 - 1.5 | 55 | Fitting | | 9 - 1.4 | 15 | Fitting |
| | 5 - 1.5 | 45 | Fitting | | 9 - 1.5 | 15 | Fitting |
| | 5 - 1.5 | 32 | Fitting | | 9 - 1.7 | 13 | Fitting |
| | 9 - 1.11 | 22 | Fitting | R833558 | 4 - 1.25 | 52 | Fitting |
| | 9 - 1.17 | 47 | Fitting | R833564 | 4 - 1.25 | 53 | Fitting |
| | 9 - 1.21 | 27 | Fitting | R833566 | 4 - 1.25 | 78 | Fitting |
| R833261 | 4 - 1.25 | 41 | Fitting | R833650 | 9 - 1.17 | 36 | Fitting |
| R833262 | 9 - 1.11 | 27 | Fitting | | 9 - 1.19 | 36 | Fitting |
| | 9 - 1.4 | 9 | Fitting | R833659 | 9 - 1.17 | 37 | Fitting |
| R833268 | 6 - 1.5 | 19 | Fitting | | 9 - 1.19 | 37 | Fitting |
| R833269 | 9 - 1.17 | 34 | Fitting | | 9 - 1.21 | 13 | Fitting |
| | 9 - 1.19 | 34 | Fitting | R833700 | 6 - 1.3 | 29 | Fitting |
| R833270 | 4 - 1.25 | 42 | Fitting | | 6 - 1.5 | 29 | Fitting |
| | 9 - 1.1 | 28 | Fitting | R833704 | 9 - 1.7 | 12 | Fitting |
| | 9 - 1.17 | 49 | Fitting | R833707 | 4 - 1.25 | 77 | Fitting |
| | 9 - 1.19 | 49 | Fitting | | 6 - 1.3 | 30 | Fitting |
| | 9 - 1.21 | 29 | Fitting | | 6 - 1.5 | 30 | Fitting |
| | 9 - 1.5 | 8 | Fitting | R833801 | 5 - 1.3 | 31 | Fitting |
| R833272 | 4 - 1.25 | 43 | Fitting | | 5 - 1.3 | 23 | Fitting |
| R833273 | 6 - 1.3 | 27 | Fitting | | 5 - 1.5 | 23 | Fitting |
| | 6 - 1.5 | 27 | Fitting | | 6 - 1.3 | 38 | Fitting |
| R833275 | 4 - 1.25 | 44 | Fitting | | 6 - 1.5 | 38 | Fitting |
| | 9 - 1.22 | 1 | Fitting | | 9 - 1.1 | 11 | Fitting |
| | 9 - 1.23 | 1 | Fitting | | 9 - 1.2 | 11 | Fitting |
| R833281 | 4 - 1.25 | 45 | Fitting | R833802 | 4 - 1.25 | 76 | Fitting |
| | 9 - 1.6 | 6 | Fitting | | 9 - 1.17 | 22 | Fitting |
| R833301 | 9 - 1.17 | 46 | Fitting | | 9 - 1.19 | 22 | Fitting |
| | 9 - 1.21 | 26 | Fitting | | 9 - 1.9 | 31 | Fitting |
| R833304 | 9 - 1.17 | 48 | Fitting | R833804 | 6 - 1.3 | 31 | Fitting |
| | 9 - 1.19 | 48 | Fitting | | 6 - 1.5 | 31 | Fitting |
| | 9 - 1.21 | 28 | Fitting | | 6 - 1.5 | 20 | Fitting |
| R833352 | 5 - 1.3 | 15 | Fitting | | 8 - 2.2 | 20 | Fitting |
| | 5 - 1.3 | 33 | Fitting | | 9 - 1.17 | 39 | Fitting |
| R833353 | 4 - 1.25 | 46 | Fitting | | 9 - 1.19 | 39 | Fitting |
| R833354 | 6 - 1.3 | 28 | Fitting | | 9 - 1.21 | 17 | Fitting |
| | 6 - 1.5 | 28 | Fitting | R834002 | 9 - 1.17 | 24 | Fitting |
| R833403 | 4 - 1.25 | 47 | Fitting | | 9 - 1.19 | 24 | Fitting |

| Part No. | Page | Item | Description | Part No. | Page | Item | Description |
|----------|----------|------|-----------------------|-------------|----------|------|-----------------------------|
| R834005 | 4 - 1.25 | 65 | Fitting | R840278 | 8 - 3.4 | 11 | Cover, Lower |
| R834050 | 9 - 1.23 | 11 | Fitting | | 8 - 3.7 | 11 | Cover, Lower |
| R834051 | 5 - 1.3 | 17 | Fitting | R840279 | 8 - 3.4 | 12 | Cover, Mid |
| | 5 - 1.5 | 17 | Fitting | | 8 - 3.7 | 12 | Cover, Mid |
| | 9 - 1.1 | 10 | Fitting | R840280 | 8 - 3.4 | 13 | Casing |
| | 9 - 1.2 | 10 | Fitting | | 8 - 3.7 | 13 | Casing |
| | 4 - 1.25 | 57 | Fitting | R840281 | 8 - 3.4 | 14 | Blower, 12v |
| R834052 | 6 - 1.3 | 32 | Fitting | | 8 - 3.7 | 14 | Blower, 12v |
| | 6 - 1.3 | 37 | Fitting | R840282 | 8 - 3.4 | 15 | Blower, 12v |
| | 6 - 1.5 | 37 | Fitting | | 8 - 3.7 | 15 | Blower, 12v |
| | 9 - 1.17 | 21 | Fitting | R840283 | 8 - 3.4 | 17 | Coil, Evaporator |
| | 9 - 1.19 | 21 | Fitting | R840284 | 8 - 3.4 | 19 | Valve, Block |
| | 9 - 1.9 | 18 | Fitting | R840285 | 8 - 3.4 | 20 | Coil, Heater |
| | 6 - 1.5 | 32 | Fitting | | 8 - 3.7 | 20 | Coil, Heater |
| R834055 | 9 - 1.2 | 21 | Fitting | R840286 | 8 - 3.3 | 58 | Louver |
| | 9 - 1.3 | 4 | Fitting | | 8 - 3.4 | 22 | Louver |
| | 9 - 1.7 | 11 | Fitting | | 8 - 3.6 | 5 | Louver |
| | 6 - 1.3 | 33 | Fitting | | 8 - 3.7 | 22 | Louver |
| R834056 | 6 - 1.5 | 33 | Fitting | R840287 | 8 - 3.4 | 23 | Hose End |
| | 8 - 2.5 | 36 | Fitting | | 8 - 3.7 | 23 | Hose End |
| R834100 | 9 - 1.17 | 23 | Fitting | R840288 | 8 - 3.4 | 27 | Thermostat |
| R834103 | 9 - 1.19 | 23 | Fitting | R840289 | 8 - 3.4 | 28 | Hose, Air |
| | 9 - 1.17 | 40 | Fitting | | 8 - 3.7 | 28 | Hose, Air |
| R834106 | 9 - 1.19 | 40 | Fitting | R840290 | 8 - 3.4 | 29 | Switch, Blower |
| | 9 - 1.21 | 12 | Fitting | | 8 - 3.7 | 29 | Switch, Blower |
| | 9 - 1.21 | 18 | Fitting | R840291 | 8 - 3.4 | 30 | Knob |
| R834703 | 8 - 3.1 | 1 | Fire Extinguisher | | 8 - 3.7 | 30 | Knob |
| R840030 | 8 - 3.4 | 21 | Valve, Heater Control | R840292 | 8 - 3.4 | 31 | Blower |
| R840081 | 8 - 3.7 | 21 | Valve, Heater Control | | 8 - 3.7 | 31 | Blower |
| | 8 - 3.4 | 24 | Adapter | R840293 | 8 - 3.4 | 32 | Rotary Control |
| R840147 | 8 - 3.7 | 24 | Adapter | | 8 - 3.7 | 32 | Rotary Control |
| | 8 - 3.4 | 16 | Resistor, 12v | R840294 | 8 - 3.4 | 33 | Knob |
| R840165 | 8 - 3.7 | 16 | Resistor, 12v | | 8 - 3.7 | 33 | Knob |
| | 8 - 3.4 | 25 | Hose End | R840295 | 8 - 3.4 | 34 | Cable |
| R840172 | 8 - 3.7 | 25 | Hose End | | 8 - 3.7 | 34 | Cable |
| | 8 - 3.4 | 26 | Hose End | R840296 | 8 - 3.4 | 35 | Switch, Push |
| R840173 | 8 - 3.7 | 26 | Hose End | R840297 | 8 - 3.4 | 36 | Cover |
| | 8 - 3.3 | 31 | Bracket | | 8 - 3.7 | 36 | Cover |
| R840240 | 8 - 3.4 | 1 | Protector, Hose | R840298 | 8 - 3.4 | 37 | Relay, 12v |
| | 8 - 3.7 | 1 | Protector, Hose | | 8 - 3.7 | 37 | Relay, 12v |
| R840268 | 8 - 3.4 | 2 | Cover, Top | R840299 | 8 - 3.4 | 38 | Socket/Relay |
| | 8 - 3.7 | 2 | Cover, Top | | 8 - 3.7 | 38 | Socket/Relay |
| R840270 | 8 - 3.4 | 3 | Cover | R851374 | 4 - 1.3 | 76 | Washer |
| | 8 - 3.7 | 3 | Cover | R867631 | 4 - 3.9 | 17 | Cup |
| R840271 | 8 - 3.4 | 4 | Air Chamber | R872229 | 1 - 3.2 | 38 | Washer |
| | 8 - 3.7 | 4 | Air Chamber | R879768 | 1 - 3.2 | 39 | Washer |
| R840272 | 8 - 3.4 | 5 | Duct | R9032514 | 2 - 5.2 | 6 | Vacuator |
| | 8 - 3.7 | 5 | Duct | R935097 | 4 - 1.1 | 3 | Transmission Mount, RH Rear |
| R840273 | 8 - 3.4 | 6 | Bracket | R940250 | 4 - 2.3 | 5 | Retainer |
| | 8 - 3.7 | 6 | Bracket | R9411617 | 4 - 1.19 | 74 | Snap Ring |
| R840274 | 8 - 3.4 | 7 | Panel, Control | | 4 - 1.21 | 74 | Snap Ring |
| | 8 - 3.7 | 7 | Panel, Control | R942751 | 4 - 2.2 | 6 | Seal |
| R840275 | 8 - 3.4 | 8 | Bracket, Blower | | 4 - 2.5 | 6 | Seal |
| | 8 - 3.7 | 8 | Bracket, Blower | R952160 | 1 - 5.5 | 55 | Snap Ring |
| R840276 | 8 - 3.4 | 9 | Housing, Control | RPL1257691 | 4 - 3.12 | | Rim Assembly |
| | 8 - 3.7 | 9 | Housing, Control | RPL12576921 | 4 - 4.1 | | Rim Assembly (355 x 32) |
| R840277 | 8 - 3.4 | 10 | Plate, Blower | RPL12576923 | 4 - 4.1 | | Rim Assembly (67 x 34 x 26) |
| | 8 - 3.7 | 10 | Plate, Blower | RPL12576925 | 4 - 4.1 | | Rim Assembly (305 x 32) |

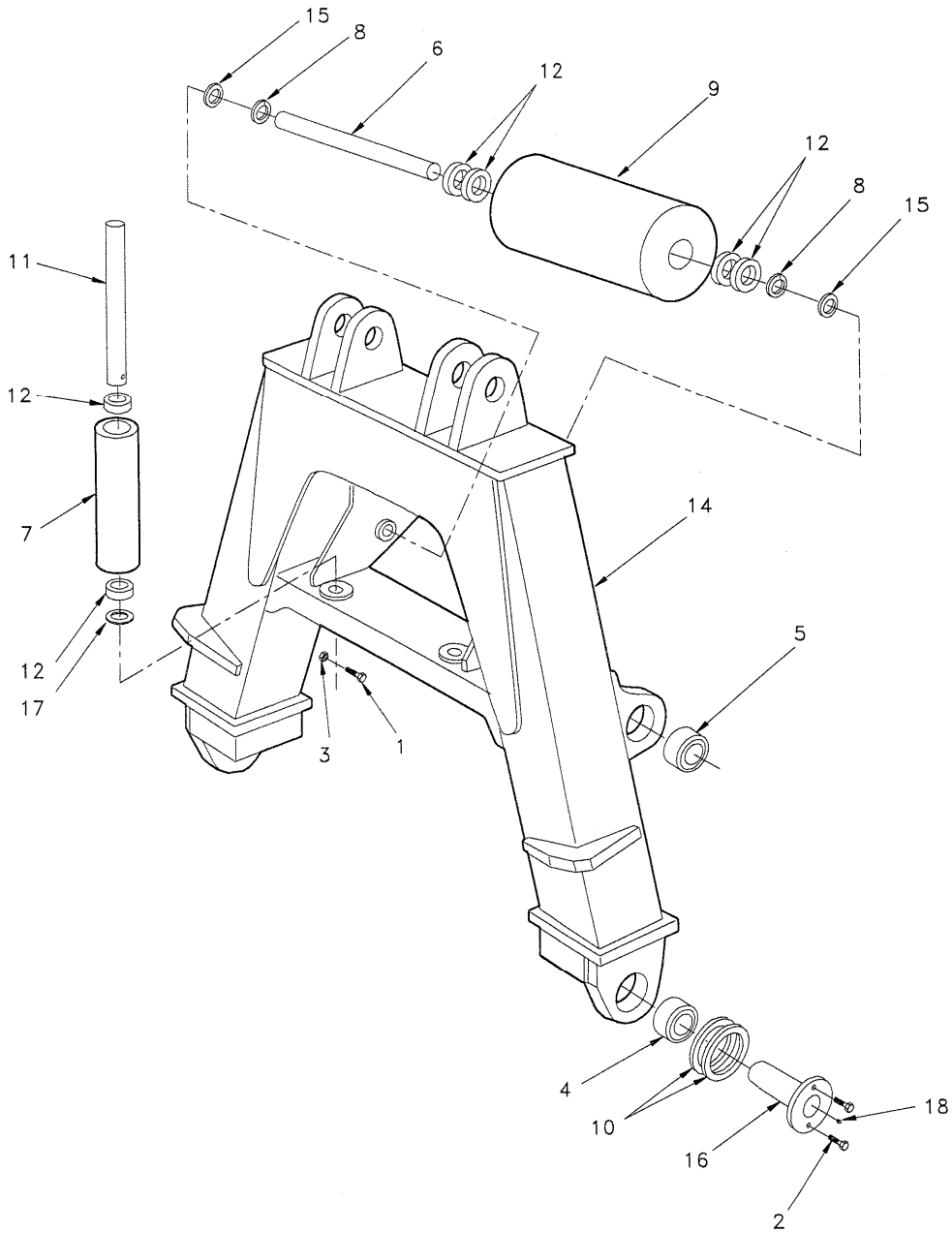
| Part No. | Page | Item | Description | Part No. | Page | Item | Description |
|-----------------|-------------|-------------|-----------------------------|-----------------|-------------|-------------|--------------------|
| RPL12576927 | 4 - 4.1 | | Rim Assembly (73 x 44 x 32) | | | | |
| RPL12576929 | 4 - 4.1 | | Rim Assembly (68 x 50 x 32) | | | | |
| RPL1935770 | 1 - 1.1 | | Arch & Rollers | | | | |
| RPL40026 | 1 - 4.1 | | 105" Para. Grapple Assembly | | | | |
| RPL40143 | 7 - 1.4 | | Cradle Assembly | | | | |
| RPL40174 | 1 - 3.2 | | Boom & Rotor | | | | |

Section 1

Attachments

| Page No | Description |
|--------------|-------------------------------------|
| 1 - 1 | Arch |
| 1 - 1.1 | Parallelogram Arch and Rollers |
| 1 - 2 | Blade |
| 1 - 2.1 | Blade Installation |
| 1 - 3 | Boom |
| 1 - 3.2 | Parallelogram Boom and Rotor |
| 1 - 3.4 | Parallelogram Hydraulic Motor |
| 1 - 4 | Grapple |
| 1 - 4.1 | 105" Parallelogram Grapple Assembly |
| 1 - 5 | Winch |
| 1 - 5.1 | Winch Installation |
| 1 - 5.2 | Winch Control Valve Installation |
| 1 - 5.3 | Winch Control Valve Assembly |
| 1 - 5.4 | Winch Assembly |
| 1 - 6 | Miscellaneous |
| 1 - 6.1 | Lube System |

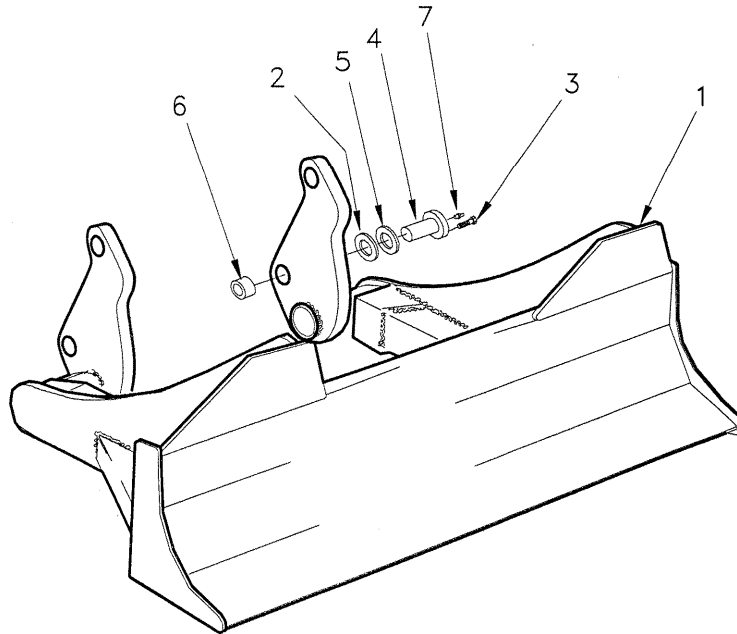
Intentionally blank



Parallelogram Arch and Rollers

| Item | Part No | Qty | Description | Item | Part No | Qty | Description |
|--------------------------------------|-----------|-----|---------------|------|-----------|-----|-----------------|
| RPL1935770 Arch & Rollers | | | | | | | |
| 1 | R13811043 | 2 | . Capscrew | 10 | R1905176 | 6 | . Shim |
| 2 | R13811074 | 2 | . Capscrew | 11 | R1935071 | 2 | . Shaft |
| 3 | R13811465 | 2 | . Nut | 12 | R1935453 | 8 | . Bearing |
| 4 | R1573309 | 2 | . Bearing | 14 | R1935763 | 1 | . Arch Wldmt |
| 5 | R1574466 | 2 | . Bearing | 15 | R1939280 | 2 | . Washer |
| 6 | R1900194 | 1 | . Shaft | 16 | R1939296 | 2 | . Pin Asm |
| 7 | R1901550 | 2 | . Roller | 17 | R616841 | 2 | . Washer |
| 8 | R1902877 | 2 | . Ring, Snap | 18 | R13801339 | 2 | . Fitting, Lube |
| 9 | R1903717 | 1 | . Main Roller | | | | |

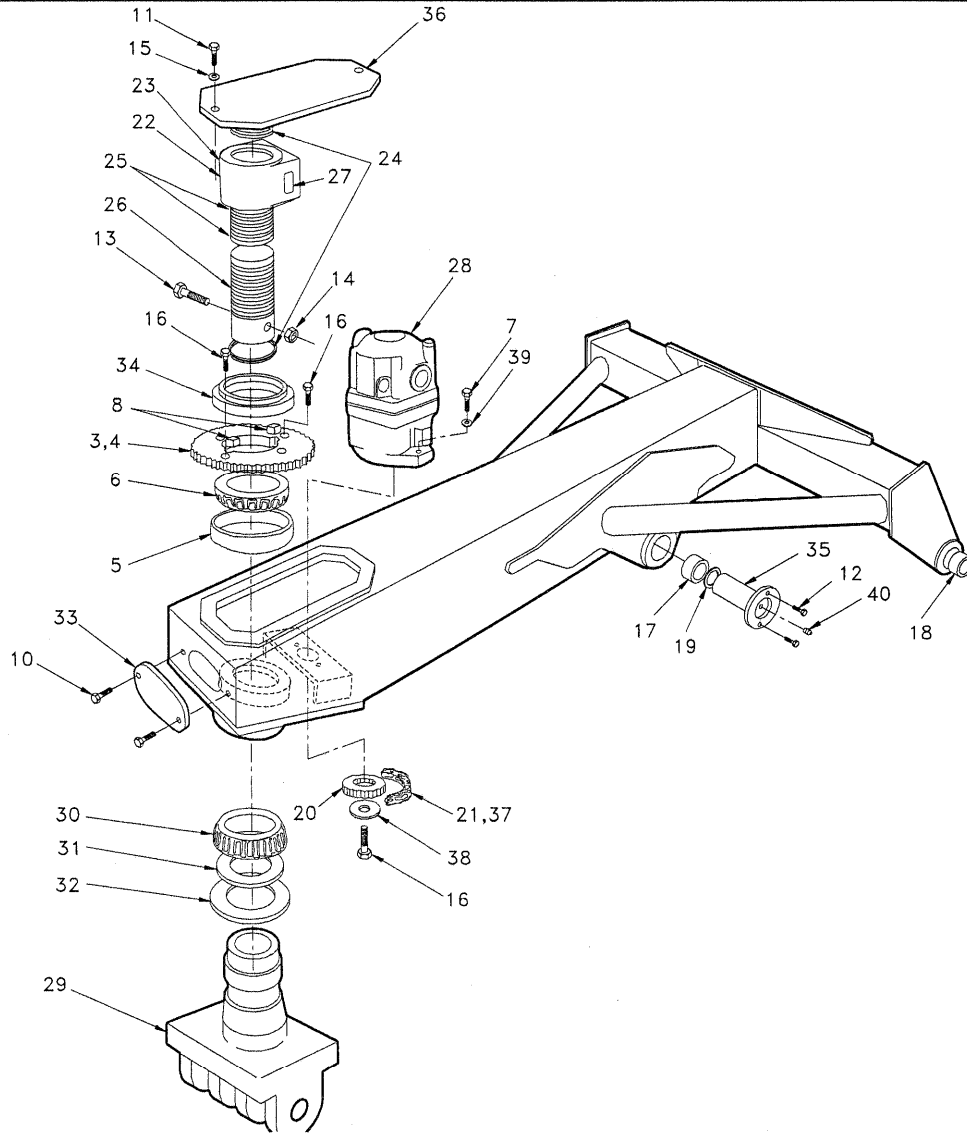
Intentionally blank



Blade Installation

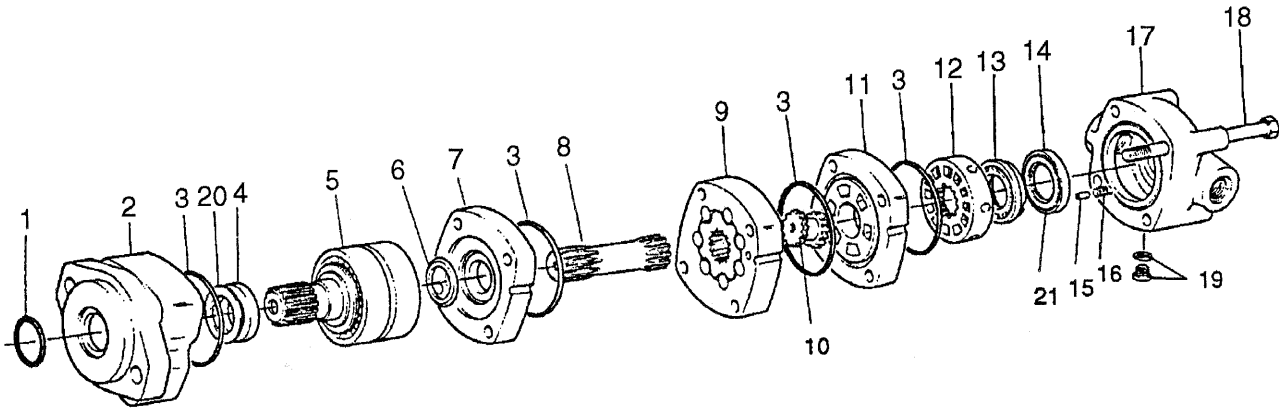
| Item | Part No | Qty | Description | Item | Part No | Qty | Description |
|--------------------------------|-----------|-----|----------------------------------|------|-----------|-----|-----------------|
| R010 Blade Installation | | | | | | | |
| 1 | R1937838 | 1 | . Blade Asm | 5 | R652424 | 4 | . Shim |
| | R1933493 | 1 | . Blade Extension Kit (Optional) | 6 | R1574466 | 2 | . Bearing |
| 2 | R1900168 | 2 | . Washer | 7 | R13801339 | 2 | . Fitting, Lube |
| 3 | R13811075 | 4 | . Capscrew | | | | |
| 4 | R1920461 | 2 | . Pin | | | | |

Intentionally blank



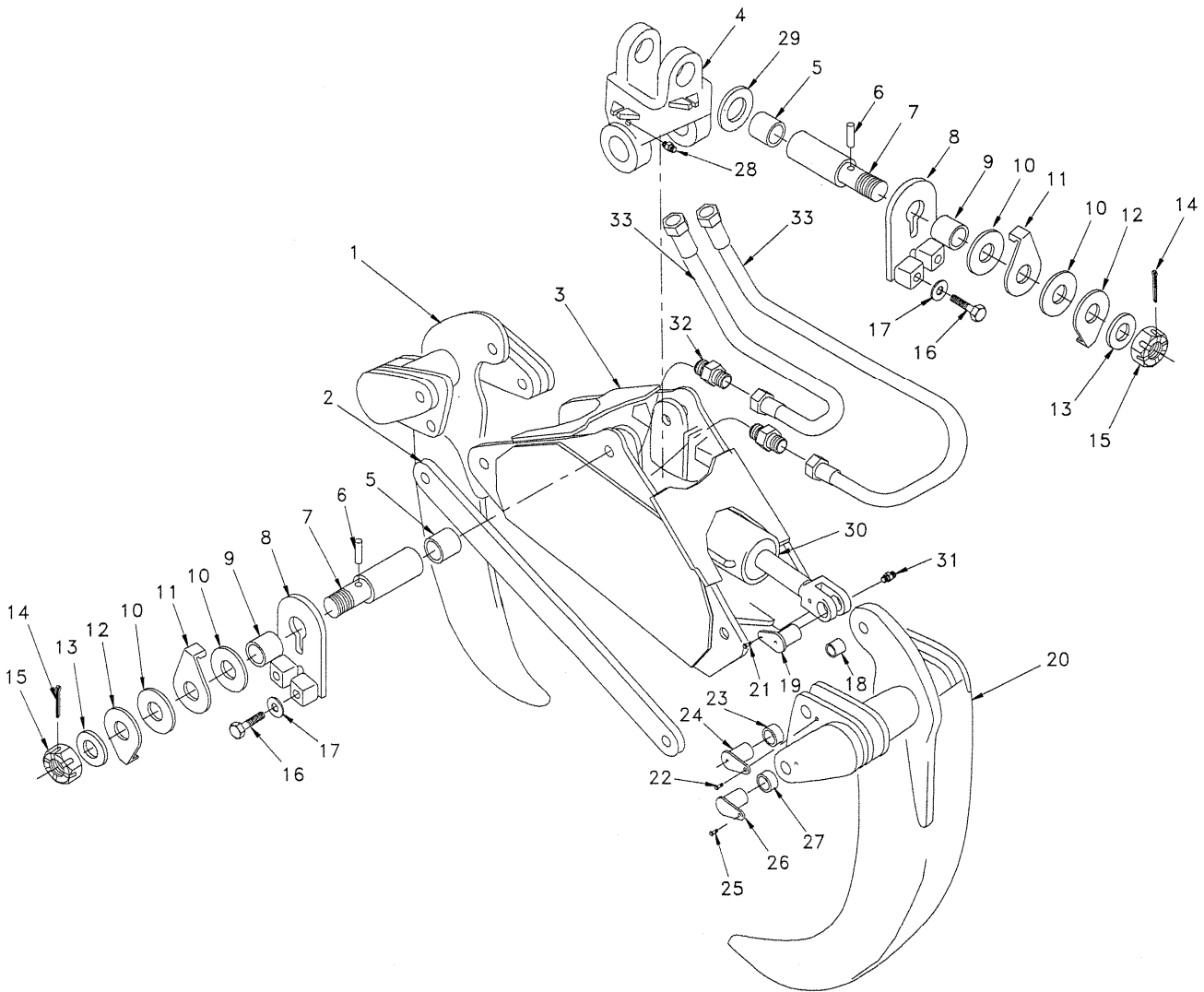
Parallelogram Boom and Rotor

| Item | Part No | Qty | Description | Item | Part No | Qty | Description |
|------|-----------------|-----|-------------------------|------|------------|-----|----------------------|
| | RPL40174 | | Boom & Rotor | | | | |
| 1 | R10811 | 1 | . Boom Wldmt | 22 | R1935796 | 1 | . Manifold |
| 3 | R12573856 | 1 | . Sprocket | 23 | R1935470 | 1 | . . Housing |
| 4 | R12573857 | 1 | . Nut Retainer | 24 | R4095065 | 2 | . . Snap Ring |
| 5 | R1318083 | 1 | . Cup, Bearing | 25 | R1930909 | 6 | . . Seal Ring |
| 6 | R1318084 | 1 | . Cone, Bearing | 26 | R1931698 | 1 | . . Shaft |
| 7 | R13803897 | 2 | . Capscrew | 27 | R1937586 | 2 | . Bar |
| 8 | R13804605 | 2 | . Key | 28 | * R1937742 | 1 | . Motor (1 - 3.2) |
| 9 | R13810990 | 2 | . Capscrew | 29 | R1937933 | 1 | . Shaft |
| 10 | R13801807 | 2 | . Capscrew | 30 | R1937934 | 1 | . Bearing & Cone Asm |
| 11 | R13801813 | 2 | . Capscrew | 31 | R1937936 | 1 | . Seal |
| 12 | R13801842 | 4 | . Capscrew | 32 | R1937938 | 1 | . Plate, Spacer |
| 13 | R13801856 | 1 | . Capscrew | 33 | R1938864 | 1 | . Plate, Cover |
| 14 | R13803583 | 1 | . Nut | 34 | R1938931 | 1 | . Nut |
| 15 | R13802915 | 2 | . Washer | 35 | R1939296 | 2 | . Pin Asm |
| 16 | R13801778 | 2 | . Capscrew | 36 | R1939569 | 1 | . Plate, Cover |
| 17 | R1573309 | 2 | . Bearing | 37 | R616502 | 1 | . Link |
| 18 | R1574466 | 2 | . Bearing | 38 | R872229 | 1 | . Washer |
| 19 | R1905176 | 2 | . Shim | 39 | R879768 | 2 | . Washer |
| 20 | R1934875 | 1 | . Drive Sprocket | 40 | R13801339 | 2 | . Fitting, Lube |
| 21 | R1935454 | 1 | . Chain | | | | |



Parallelogram Hydraulic Motor

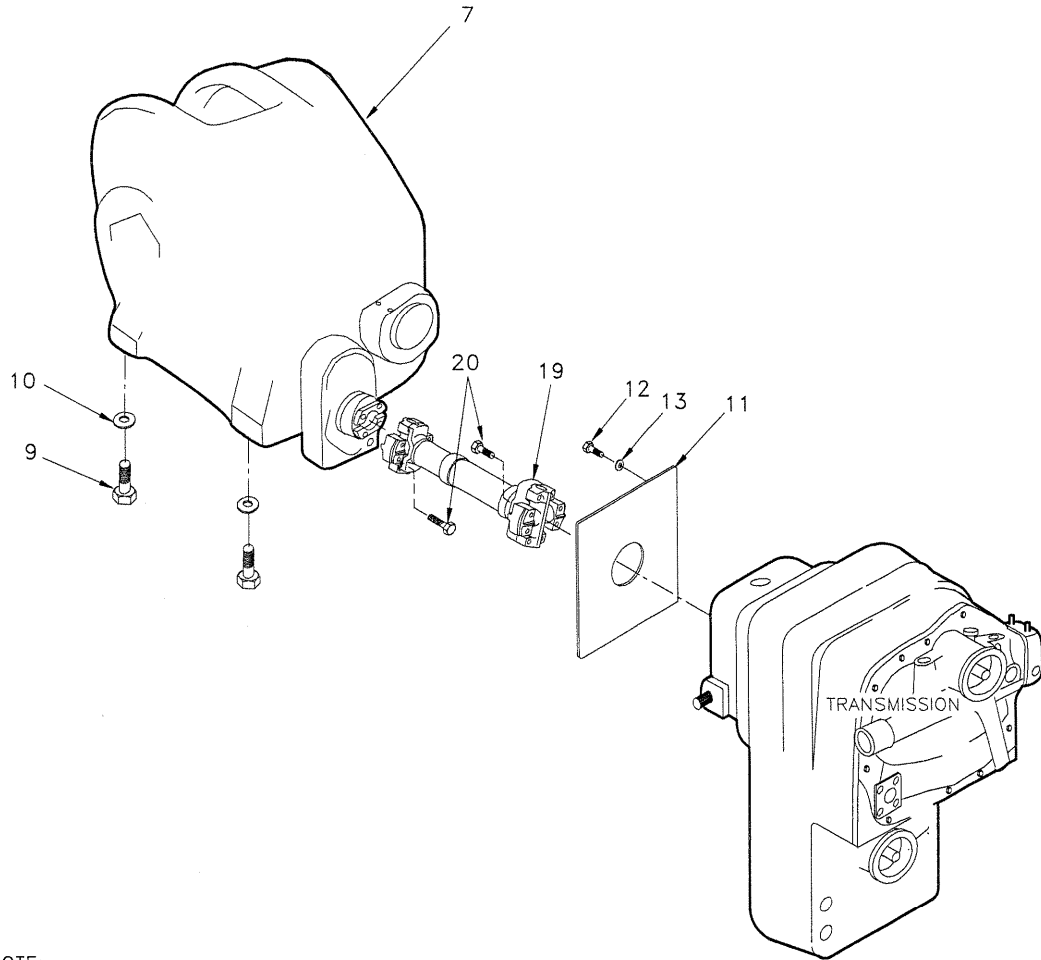
| Item | Part No | Qty | Description | Item | Part No | Qty | Description |
|---------------------------------|-----------|-----|-------------------------|------|-----------------------|-----|-----------------|
| R1937742 Hydraulic Motor | | | | | | | |
| 1 | R1992095 | 1 | . Exclusion Seal | 13 | R1992485 | 1 | . Ring |
| 2 | R1992478 | 1 | . Bearing Housing | 14 | R1992486 | 1 | . Seal - Outer |
| 3 | R1992096 | 4 | . Seal | 15 | R1992102 | 2 | . Pin |
| 4 | R12001401 | 1 | . Shaft Seal | 16 | R1992088 | 2 | . Spring |
| 5 | R1992479 | 1 | . Shaft and Bearing Kit | 17 | R1992488 | 1 | . Valve Housing |
| 6 | R1992098 | 1 | . Seal | 18 | R1992487 | 4 | . Bolt |
| 7 | R1992480 | 1 | . Wear Plate | 19 | R1992104 | 1 | . Plug |
| 8 | R1992481 | 1 | . Shaft | 20 | R1992407 | 1 | . Back-up Ring |
| 9 | R1992482 | 1 | . Plate | 21 | R1992100 | 1 | . Seal - Inner |
| 10 | R1992084 | 1 | . Drive | | | | |
| 11 | R1992483 | 1 | . Plate | | | | |
| 12 | R1992484 | 1 | . Valve | | | | |
| | | | | | Seal Kit P/N R1992489 | | |



105" Parallelogram Grapple Assembly

| Item | Part No | Qty | Description | Item | Part No | Qty | Description |
|------|-----------------|-----|--|------|-----------|-----|--------------------------------|
| | RPL40026 | | 105" Parallelogram Grapple Assembly | | | | |
| 1 | R12600003 | 1 | . Grapple Arm, LH | 19 | R1932083 | 2 | . Pin |
| 2 | R1934673 | 1 | . Plate | 20 | R12600004 | 1 | . Grapple Arm, RH |
| 3 | R12580789 | 1 | . Grapple Box | 21 | R13801842 | 6 | . Capscrew |
| 4 | R12581247 | 1 | . Yoke | 23 | R12572528 | 4 | . Bushing |
| 5 | R1937942 | 4 | . Bearing | 24 | R12580128 | 4 | . Pin |
| 6 | R1932932 | 4 | . Bushing | 24A | R2529808 | 4 | . Spacer |
| 7 | R1937947 | 4 | . Pin | 24B | R13806871 | 4 | . Washer |
| 8 | R1938151 | 4 | . Plate | 25 | R13801841 | 2 | . Capscrew |
| 9 | R1932931 | 4 | . Bushing | 26 | R1932089 | 2 | . Pin |
| 10 | R1937808 | 8 | . Disc | 27 | R1932408 | 2 | . Bushing |
| 11 | R1937941 | 4 | . Snubber | 28 | R13801340 | 4 | . Grease Fitting |
| 12 | R1937940 | 4 | . Snubber | 29 | R1937943 | 2 | . Washer |
| 13 | R1937935 | 4 | . Spring | 30 | * R10113 | 1 | . Hydraulic Cylinder (9 - 4.5) |
| 14 | R13800374 | 4 | . Pin | 31 | R13801339 | 8 | . Grease Fitting |
| 15 | R1935436 | 4 | . Nut | 32 | R755055 | 2 | . Fitting |
| 16 | R13801845 | 8 | . Capscrew | 33 | Ref | 2 | . Hose Asm |
| 17 | R13802917 | 8 | . Washer | 36 | R2556831 | 1 | . I.D. Plate |
| 18 | R1932407 | 2 | . Bushing | | | | |

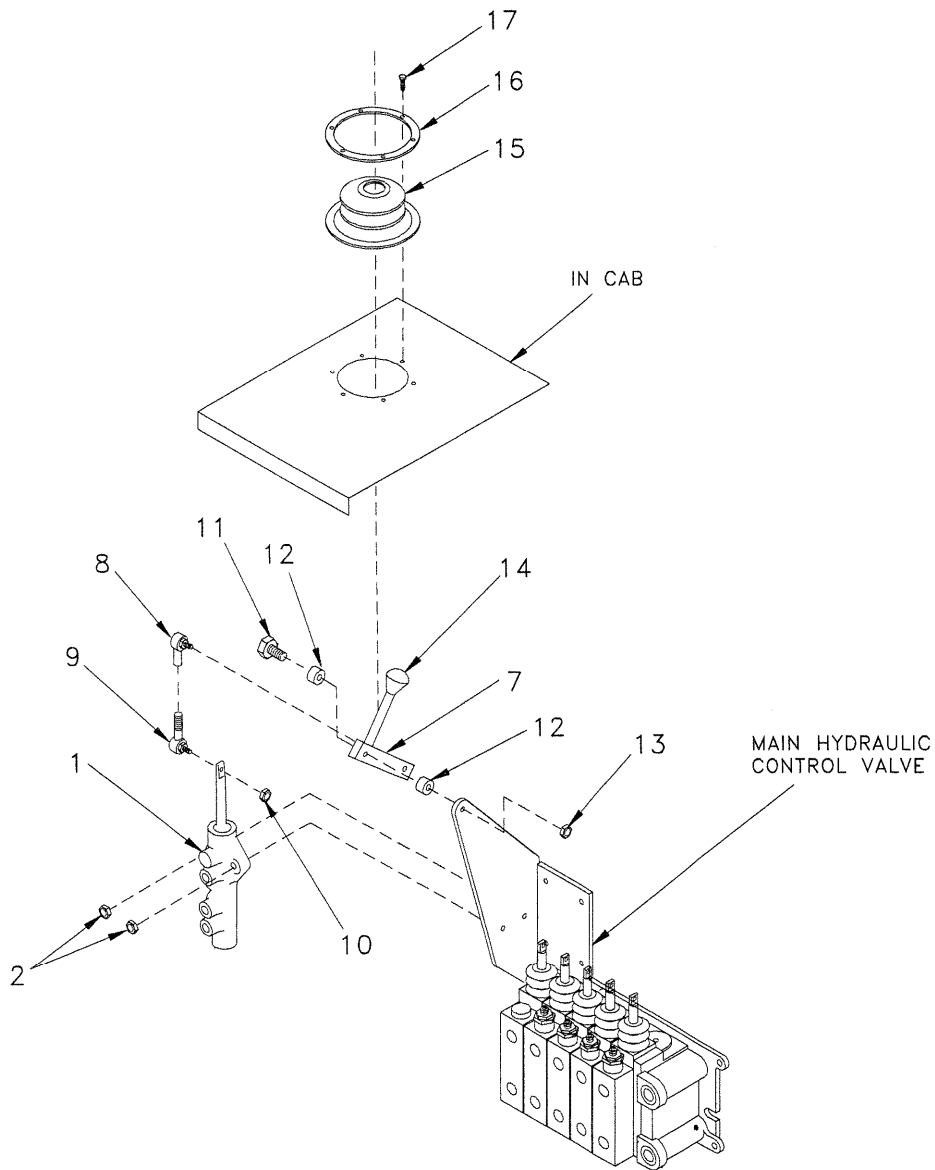
Intentionally blank



NOTE:
ITEMS 15,16,17&18 USED
FOR SHIMMING WINCH AS REQUIRED
TO MAINTAIN LEVEL MOUNTING &
ALIGNMENT

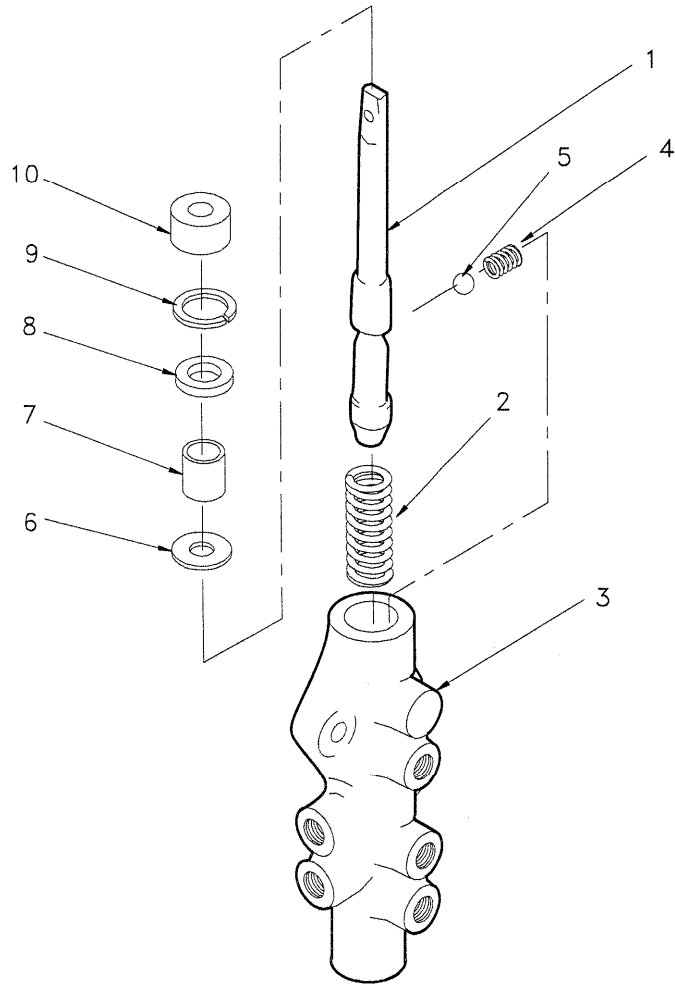
Winch Installation

| Item | Part No | Qty | Description | Item | Part No | Qty | Description |
|----------------------------------|-----------|-----|-----------------------|------|------------|-----|---------------------------|
| R11478 Winch Installation | | | | | | | |
| 7 | * R10301 | 1 | . Winch Asm (1 - 5.5) | 15 | R13804979 | 4 | . Washer |
| 9 | R13806545 | 4 | . Capscrew | 16 | R1928246 | 4 | . Shim |
| 10 | R12600012 | 4 | . Washer | 17 | R1928247 | 4 | . Shim |
| 11 | R1923282 | 1 | . Plate | 18 | R1928248 | 4 | . Shim |
| 12 | R13811035 | 4 | . Capscrew | 19 | * R1937747 | 1 | . Driveline Asm (4 - 2.5) |
| 13 | R13812514 | 4 | . Washer | 20 | R13802022 | 8 | . Capscrew |



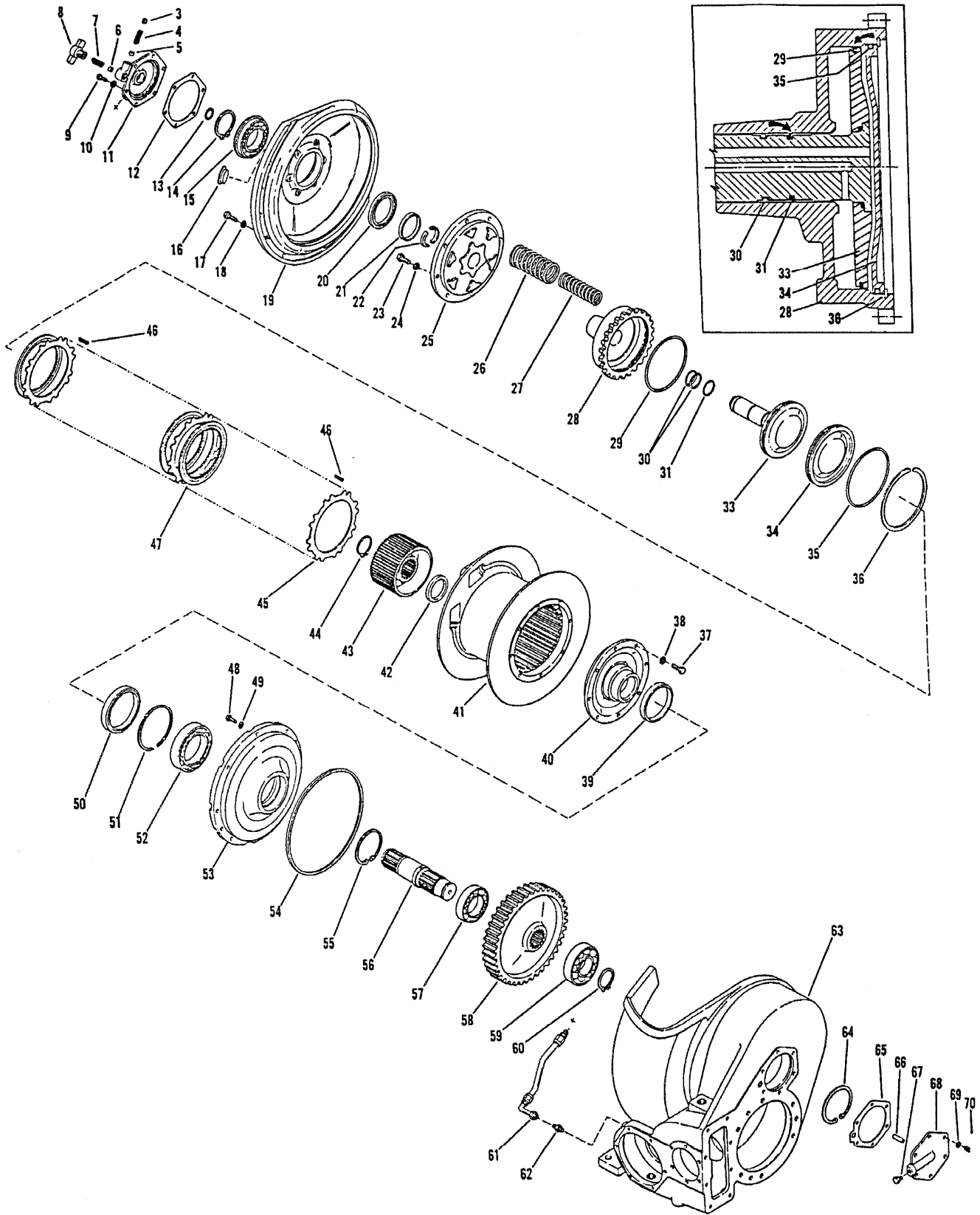
Winch Control Valve Installation

| Item | Part No | Qty | Description | Item | Part No | Qty | Description |
|--|-----------|-----|-------------------------------|------|-----------|-----|-------------|
| R11481 Winch Control Valve Installation | | | | | | | |
| 1 | * R242044 | 1 | . Valve, Winch Ctrl (1 - 5.3) | 12 | R1610636 | 2 | . Bearing |
| 2 | R13803582 | 2 | . Nut | 13 | R13804124 | 1 | . Nut |
| 7 | R10612 | 1 | . Lever Wldmt | 14 | R10410233 | 1 | . Knob |
| 8 | R12574410 | 1 | . Rod End | 15 | R1933522 | 1 | . Bellows |
| 9 | R10617 | 1 | . Ball Joint | 16 | R1933541 | 1 | . Clamp |
| 10 | R13811182 | 1 | . Nut | 17 | R13809445 | 6 | . Capscrew |
| 11 | R661847 | 1 | . Bolt | | | | |



Winch Control Valve

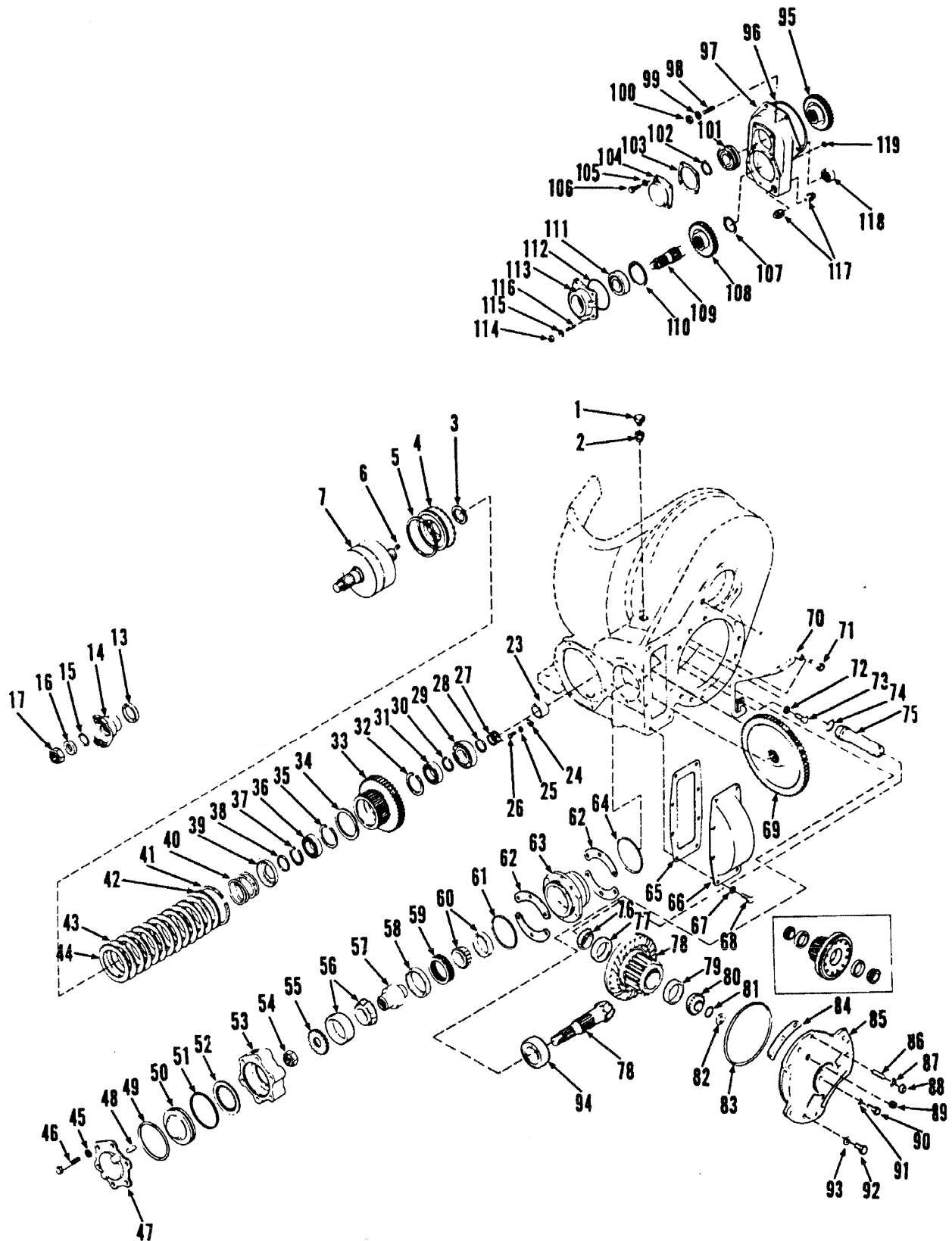
| Item | Part No | Qty | Description | Item | Part No | Qty | Description |
|------|----------------|-----|----------------------------|------|-----------|-----|-------------|
| | R242044 | | Winch Control Valve | | | | |
| 1 | NSS | 1 | . Spool | 6 | R231387 | 1 | . Retainer |
| 2 | R231319 | 1 | . Spring | 7 | R231320 | 1 | . Spacer |
| 3 | NSS | 1 | . Body | 8 | R217657 | 1 | . Washer |
| 4 | R202200 | 1 | . Spring | 9 | R12969532 | 1 | . Snap Ring |
| 5 | R13801349 | 1 | . Ball | 10 | R234651 | 1 | . Oil Seal |



Winch Assembly - Cable Drum Drive Shaft & Clutch

Winch Assembly - Cable Drum Drive Shaft & Clutch

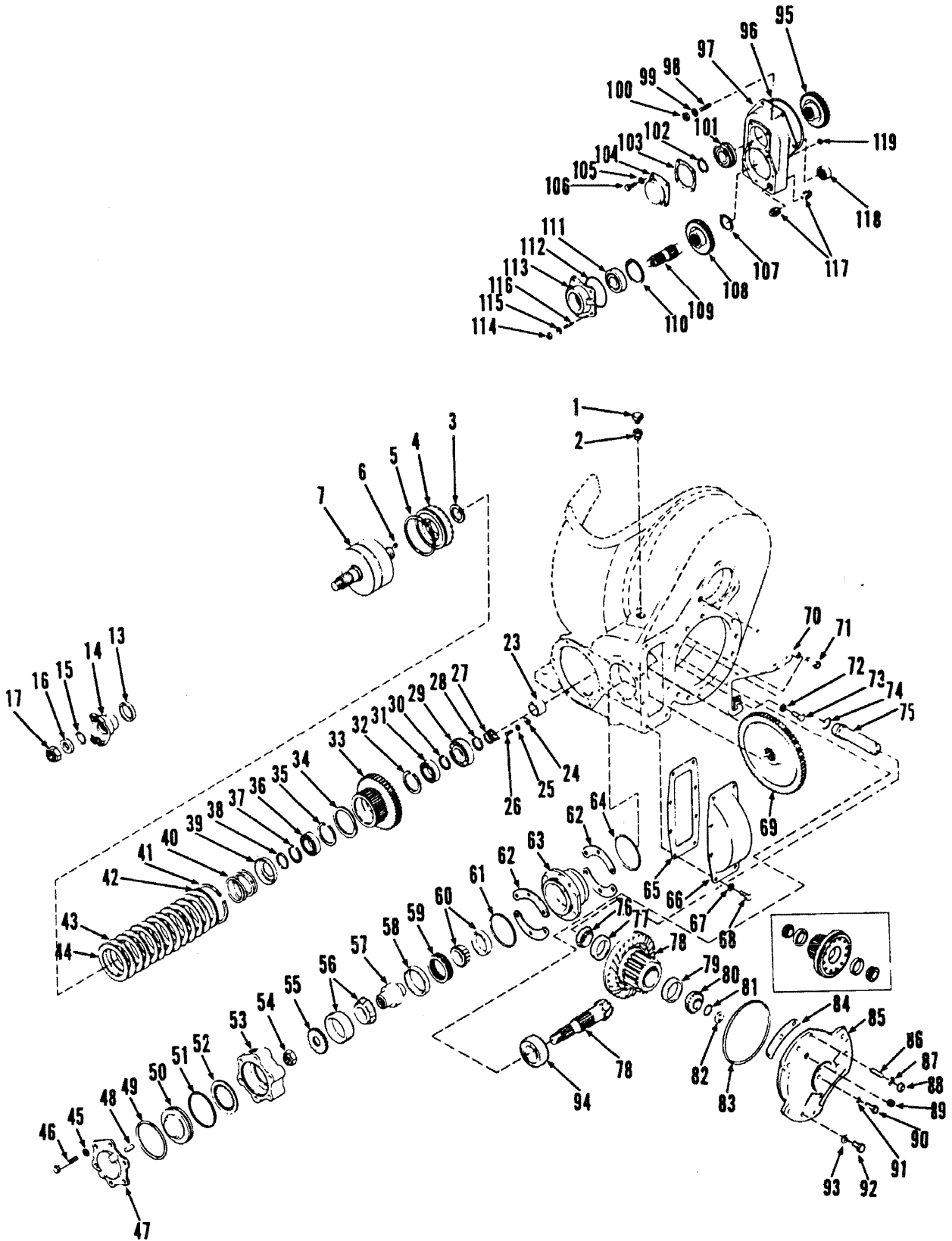
| Item | Part No | Qty | Description | Item | Part No | Qty | Description |
|------|---------------|-----|------------------------------|------|----------------------------|-----|-----------------------|
| | R10301 | | Winch Assembly | | | | |
| 3 | R13801762 | 1 | . Plug | 41 | *d R232369 | 1 | . Drum, Cable |
| 4 | R201413 | 1 | . Spring | 42 | R247014 | 1 | . Seal |
| 5 | R232947 | 1 | . Lock | 43 | R232370 | 1 | . Hub |
| 6 | R245669 | 1 | . Bolt | 44 | R243979 | 1 | . Ring |
| 7 | R232903 | 1 | . Spring | 45 | R232635 | 19 | . Disc, Outer |
| 8 | R232944 | 1 | . Bolt | 46 | R233029 | 12 | . Spring |
| 9 | R13800882 | 6 | . Bolt | 47 | R245935 | 18 | . Disc, Inner |
| 10 | NSS | 6 | .. Washer | 48 | R13800186 | 6 | . Bolt |
| 11 | *a R232943 | 1 | . Cap | 49 | NSS | 6 | .. Washer |
| 11 | *b R12607122 | 1 | . Cap | 50 | R231842 | 1 | . Seal |
| 12 | R231308 | 1 | . Gasket | 51 | R4095045 | 1 | . Snap Ring |
| 13 | R223084 | 1 | . Ring | 52 | R225800 | 1 | . Bearing |
| 14 | R225313 | 1 | . Ring | 53 | R231294 | 1 | . Support |
| 15 | R231338 | 1 | . Bearing | 54 | R4095394 | 1 | . O-Ring |
| 16 | R222418 | 1 | . Plug | 55 | R952160 | 1 | . Snap Ring |
| 17 | R13800235 | 9 | . Bolt | 56 | R231290 | 1 | . Shaft |
| 18 | R13800830 | 9 | . Washer | 57 | R774623 | 1 | . Bearing |
| 19 | R232901 | 1 | . Cover | 58 | R232368 | 1 | . Gear |
| 20 | R231336 | 1 | . Seal | 59 | R129001932 | 1 | . Bearing |
| 21 | NSS | 1 | . Sleeve (Inc. with Item 25) | 60 | R11992877 | 1 | . Ring |
| 22 | R231811 | 2 | . Split Ring | 61 | *a R231399 | 1 | . Drain Hose Asm |
| 23 | R13801844 | 15 | . Bolt | 61 | *b R12607121 | 1 | . Drain Hose Asm |
| 24 | R13800830 | 15 | . Washer | 62 | *a R13803230 | 1 | . Adapter |
| 25 | R237329 | 1 | . Support | 62 | *b R12607114 | 1 | . Adapter |
| 26 | R231332 | 6 | . Spring | 63 | *a R233858 | 1 | . Case |
| 27 | R231333 | 6 | . Spring | 63 | *b R12607115 | 1 | . Case |
| 28 | R232239 | 1 | . Piston | 64 | R711178 | 1 | . Ring |
| 29 | R231303 | 1 | . Seal | 65 | R231293 | 1 | . Gasket |
| 30 | R13802766 | 2 | . O-Ring | 66 | R4095341 | 1 | . Tube |
| 31 | R231017 | 1 | . Seal | 67 | R13803255 | 1 | . Plug |
| 33 | R239216 | 1 | . Clutch | 68 | R231292 | 1 | . Cover |
| 34 | R232240 | 1 | . Plug | | R12607103 | 2 | .. Nut |
| 35 | R13802804 | 1 | . O-Ring | | R12607117 | 2 | .. Lockwasher |
| 36 | R223989 | 1 | . Ring | | R12607118 | 2 | .. Stud |
| 37 | R13801844 | 16 | . Bolt | 69 | NSS | 6 | . Washer |
| 38 | R13800830 | 16 | . Washer | 70 | R13800883 | 6 | . Bolt (Inc. item 69) |
| 39 | R232574 | 1 | . Sleeve | | | | |
| 40 | NSS | 1 | .. Support | | | | |
| 41 | *c R12607113 | 1 | . Drum, Cable | *a | Winch S/N 840000 to 840186 | | |
| | R12607119 | 1 | .. Retainer | *b | Winch S/N 840187 and above | | |
| | R12607120 | 2 | .. Capscrew | *c | Winch S/N 840000 to 840104 | | |
| | | | | *d | Winch S/N 840104 and above | | |



Winch Assembly - Clutch, Pinion, Ring Gear and Drop Gear

Winch Assembly - Clutch, Pinion, Ring Gear and Drop Gear

| Item | Part No | Qty | Description | Item | Part No | Qty | Description |
|------------------------------|--------------|-----|--------------------------------|------|--------------|-----|------------------------|
| R10301 Winch Assembly | | | | | | | |
| 1 | R233598 | 1 | . Air Breather Check Valve Asm | 61 | R13802790 | 1 | . O-Ring |
| 2 | NSS | 1 | . . Fitting | 62 | R231274 | A/R | . Shim - .040 |
| 3 | R230857 | 1 | . Seal | | R231275 | A/R | . Shim - .070 |
| 4 | R13401 | 1 | . Piston | | R231276 | A/R | . Shim - .010 |
| 5 | R224771 | 1 | . Ring | | R232715 | A/R | . Shim - .020 |
| 6 | NSS | 1 | . . Plug | 63 | R232349 | A/R | . Sprag, Outer Race |
| 7 | R235563 | 1 | . Input Shaft | 64 | R13802790 | 1 | . O-Ring |
| 13 | R206864 | 1 | . Seal | 65 | R231279 | 1 | . Gasket |
| 14 | R231553 | 1 | . Flange | 66 | R231278 | 1 | . Cover |
| 15 | R13802760 | 1 | . O-Ring | *e | R12607111 | 1 | . Cover |
| 16 | R102745 | 1 | . Washer | 67 | *a R13800829 | 8 | . Lockwasher |
| 17 | R216058 | 1 | . Nut | 68 | *a R13800216 | 8 | . Bolt |
| 23 | R246818 | 1 | . Race | | *b R12607105 | 8 | . Bolt & Lockwasher |
| 24 | *a R230851 | 1 | . Race | 69 | R231267 | 1 | . Gear |
| | *b R12607110 | 1 | . Race | 70 | *a R232348 | 1 | . Tube |
| 25 | *a R13800827 | 1 | . Lockwasher | | *b R12607112 | 1 | . Tube |
| | *b R12607116 | 1 | . Lockwasher | 71 | R11992857 | 1 | . Sleeve |
| 26 | *a R13800876 | 1 | . Bolt | 72 | *a R13800827 | 1 | . Lockwasher |
| | *b R12607104 | 1 | . Bolt | | *b R12607116 | 1 | . Lockwasher |
| 27 | R11992854 | 2 | . Ring | 73 | *a R13800876 | 1 | . Bolt |
| 28 | R12001914 | 1 | . Snap Ring | | *b R12607104 | 1 | . Bolt |
| 29 | R12973878 | 1 | . Bearing | 74 | R13802760 | 1 | . O-Ring |
| 30 | R12001914 | 1 | . Snap Ring | 75 | R232363 | 1 | . Shaft |
| 31 | R7181320 | 1 | . Bearing | 76 | R12607106 | 1 | . Cone |
| 32 | R223877 | 1 | . Snap Ring | 77 | R12607107 | 1 | . Cup |
| 33 | R231261 | 1 | . Gear | 78 | R13404 | 1 | . Ring Gear and Pinion |
| 34 | R731160 | 1 | . Ring | | R233302 | 1 | . . Hub |
| 35 | R223877 | 1 | . Snap Ring | | R13405 | 12 | . . Bolt |
| 36 | R7181320 | 1 | . Bearing | 79 | R12607108 | 1 | . Cup |
| 37 | R654613 | 1 | . Snap Ring | 80 | R232362 | 1 | . Cone |
| 39 | R232089 | 1 | . Retainer | 81 | R13802766 | 1 | . O-Ring |
| 40 | R230822 | 1 | . Spring | 82 | R231283 | A/R | . Shim, Shaft - .004 |
| 41 | R215190 | 1 | . Snap Ring | | R231284 | A/R | . Shim, Shaft - .007 |
| 42 | R224774 | 1 | . Disc | | R231285 | A/R | . Shim, Shaft - .010 |
| 43 | R230911 | 6 | . Clutch Disc, Inner | 83 | R13802812 | 1 | . O-Ring |
| 44 | R224772 | 6 | . Clutch Disc, Outer | 84 | R232365 | A/R | . Shim, Cover - .004 |
| 45 | R13800830 | 6 | . Lockwasher | | R232366 | A/R | . Shim, Cover - .007 |
| 46 | R13800247 | 6 | . Bolt | | R232367 | A/R | . Shim, Cover - .010 |
| 47 | R232162 | 1 | . Cover | 85 | R233194 | 1 | . Cover |
| 48 | NSS | 1 | . . Pin | 86 | R206770 | 5 | . Stud |
| 49 | R13802790 | 1 | . O-Ring | 87 | R13800830 | 5 | . Lockwasher |
| 50 | R232157 | 1 | . Piston | 88 | R13803694 | 5 | . Nut |
| 51 | R802237 | 1 | . Ring | 89 | R13804673 | 1 | . Plug |
| 52 | R232159 | 1 | . Disc | 90 | R13806266 | 1 | . Bolt |
| 53 | R232257 | 1 | . Housing | 91 | R13800829 | 1 | . Lockwasher |
| 54 | R13802791 | 1 | . Nut | 92 | R13800234 | 1 | . Bolt |
| 55 | R232160 | 1 | . Nub | 93 | R13800829 | 1 | . Lockwasher |
| 56 | R4064001 | 1 | . Cup | 94 | R13402 | 1 | . Bearing |
| | R4064002 | 1 | . Cone | 94A | R13403 | 1 | . Spacer |
| 57 | R232350 | 1 | . Race | 95 | R216268 | 1 | . Gear |
| 58 | R233850 | 1 | . Retainer | 96 | R13804956 | 1 | . O-Ring |
| 59 | R232351 | 1 | . Sprag Asm | 97 | R232281 | 1 | . Housing |
| 60 | R223222 | 1 | . Bearing Asm | 98 | R12607109 | 1 | . Stud |

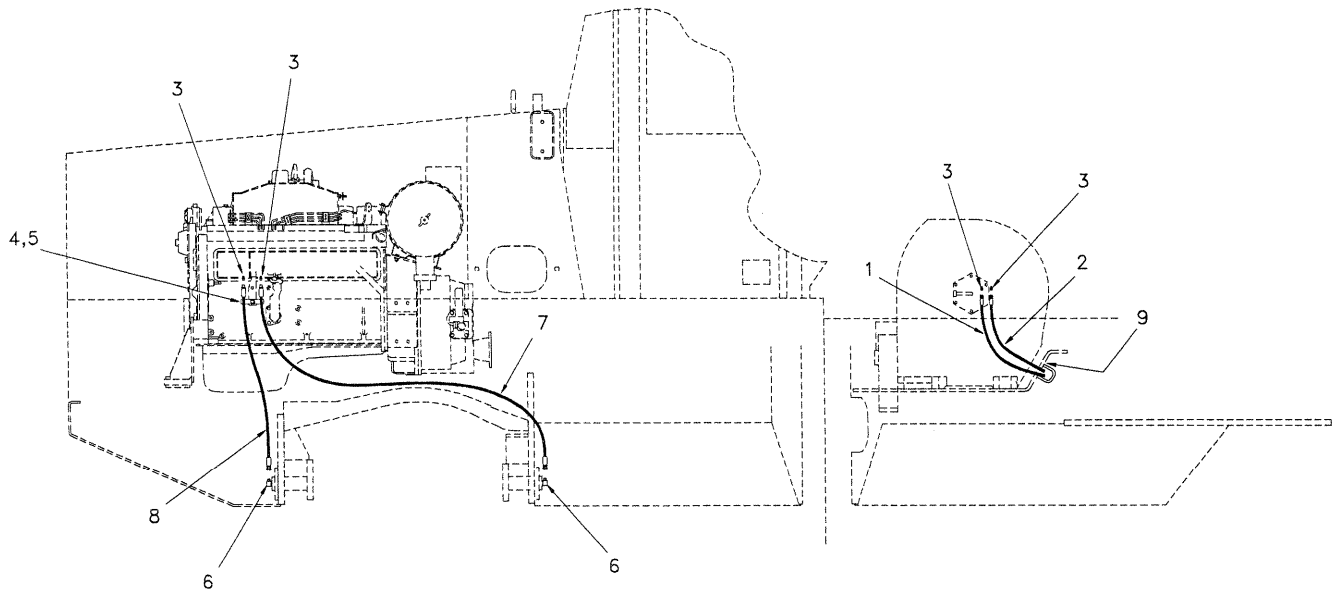
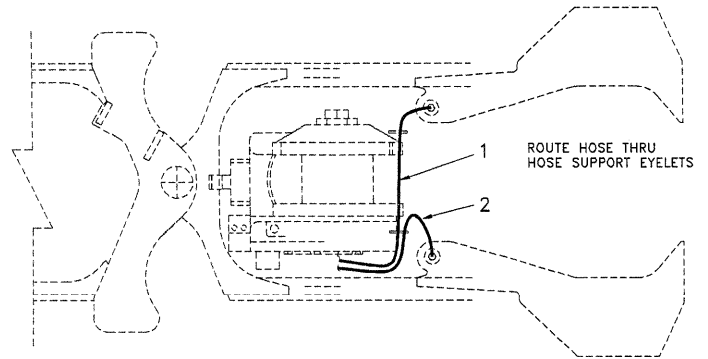


Winch Assembly - Clutch, Pinion, Ring Gear and Drop Gear

Winch Assembly - Clutch, Pinion, Ring Gear and Drop Gear

| Item | Part No | Qty | Description | Item | Part No | Qty | Description |
|------|-----------|-----|------------------|------|----------------------------|-----|--------------|
| 99 | R12607116 | 1 | . Lockwasher | 112 | R13802794 | 1 | . O-Ring |
| 100 | R12607103 | 1 | . Nut | 113 | R235091 | 1 | . Cap |
| 101 | R225956 | 1 | . Bearing | 114 | R13803693 | 5 | . Nut |
| 102 | R12001914 | 1 | . Retaining Ring | 115 | R13800829 | 5 | . Lockwasher |
| 103 | R202076 | 1 | . Gasket | 116 | R226862 | 5 | . Stud |
| 104 | R221408 | 1 | . Cap | 117 | R13801319 | 2 | . Plug |
| 105 | R13800828 | 4 | . Lockwasher | 118 | R232282 | 1 | . Bearing |
| 106 | NSS | 4 | . . Bolt | 119 | R13802673 | 2 | . O-Ring |
| 107 | R224026 | 1 | . Retaining Ring | | | | |
| 108 | R216268 | 1 | . Gear | *a | Winch S/N 840000 to 840186 | | |
| 109 | R232283 | 1 | . Shaft | *b | Winch S/N 840187 and above | | |
| 110 | R4095037 | 1 | . Retaining Ring | *e | Winch S/N 840099 and above | | |
| 111 | R12973878 | 1 | . Bearing | | | | |

Intentionally blank



Lube System

| Item | Part No | Qty | Description | Item | Part No | Qty | Description |
|------|---------------|-----|--------------------|------|----------|-----|-------------|
| | R11518 | | Lube System | | | | |
| 1 | R12579693 | 1 | . Hose Asm | 6 | R1931720 | 2 | . Fitting |
| 2 | R12579694 | 1 | . Hose Asm | 7 | R1938553 | 1 | . Hose Asm |
| 3 | R13801533 | 4 | . Fitting, Lube | 8 | R1938557 | 1 | . Hose Asm |
| 4 | R13803039 | 2 | . Clip | 9 | R1938786 | 2 | . Grommet |
| 5 | R13809366 | 1 | . Capscrew | | | | |

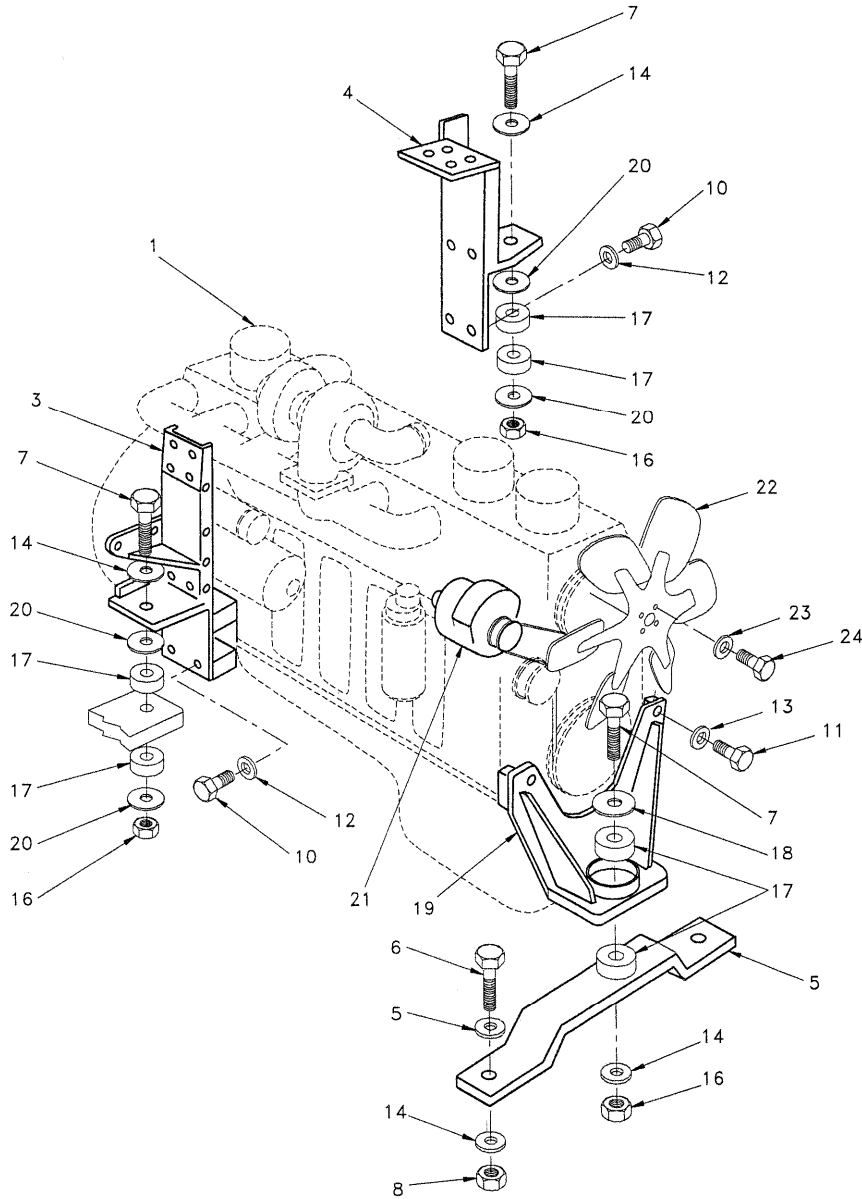
Intentionally blank

Section 2

Power Unit

| Page No | Description |
|--------------|---------------------------------|
| 2 - 1 | Engine |
| 2 - 1.1 | Engine Installation |
| 2 - 2 | Controls |
| 2 - 2.1 | Hand Throttle |
| 2 - 3 | Lubrication |
| 2 - 4 | Fuel |
| 2 - 4.1 | Fuel Tank |
| 2 - 5 | Air Intake & Exhaust |
| 2 - 5.1 | Air Intake Installation |
| 2 - 5.2 | Air Cleaner |
| 2 - 5.3 | Air Pre-Clean Intake Cap |
| 2 - 5.4 | Exhaust System |
| 2 - 6 | Cooling |
| 2 - 6.1 | Radiator Installation |
| 2 - 6.2 | Radiator Assembly |
| 2 - 6.3 | Coolant Collection Installation |
| 2 - 7 | Miscellaneous |
| 2 - 7.1 | Block Heater |
| 2 - 7.2 | Engine Sensors and Fittings |
| 2 - 7.4 | Cold Start Kit |

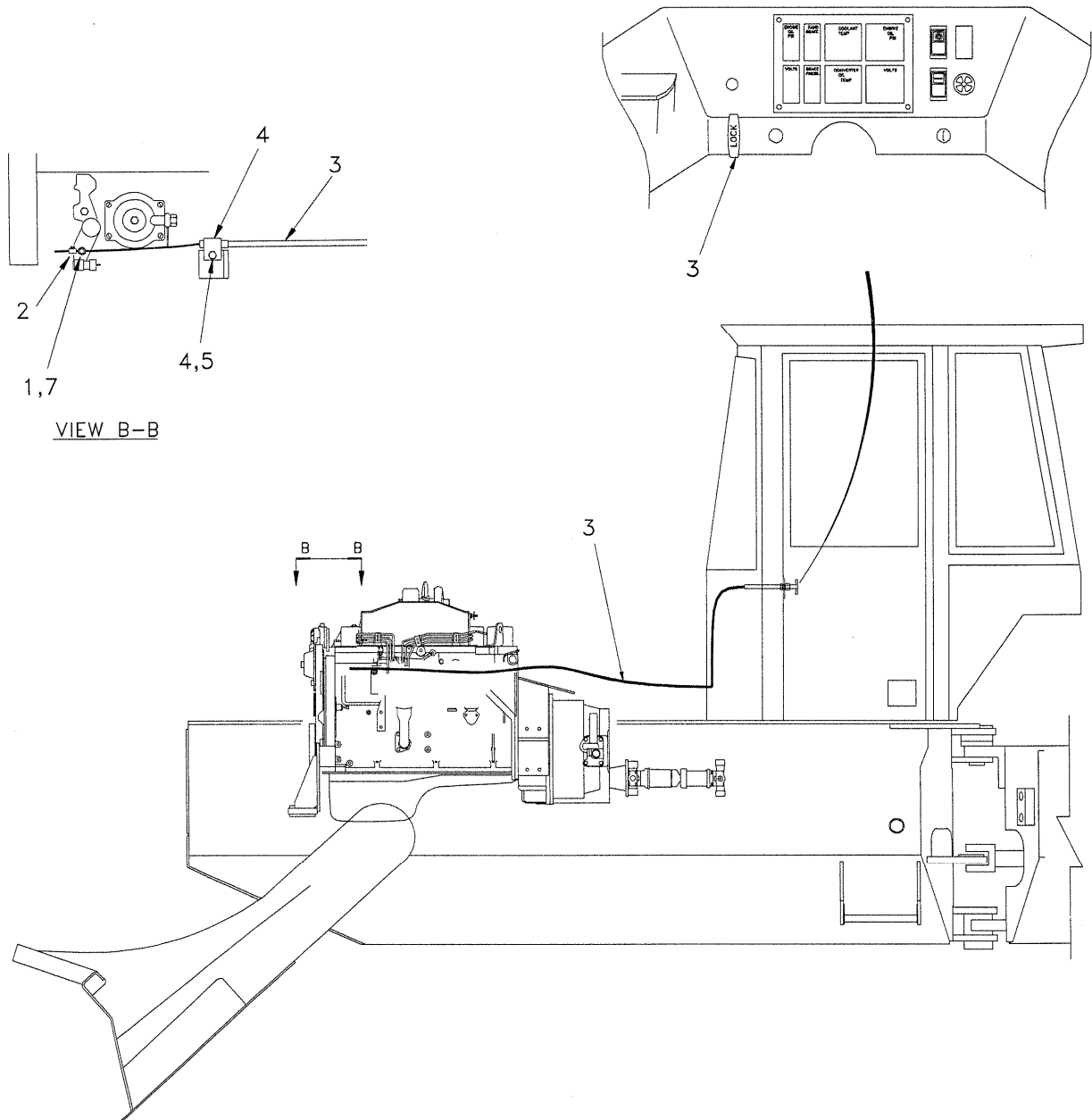
Intentionally blank



Engine Installation

| Item | Part No | Qty | Description | Item | Part No | Qty | Description |
|---------------------------------|-----------|-----|-----------------------|------|-------------------------------|-----|-----------------|
| R002 Engine Installation | | | | | | | |
| 1 | R10282 | 1 | . Engine | 17 | R1921221 | 6 | . Mount, Rubber |
| | R11826 | 1 | . . Spacer, Fan | 18 | R1922486 | 1 | . Plate |
| 3 | R10435 | 1 | . Motor Mount | 19 | R1934258 | 1 | . Engine Mount |
| 4 | R10436 | 1 | . Motor Mount | 20 | R1936529 | 4 | . Washer Asm |
| 5 | R10573 | 1 | . Engine Cross Member | 21 | R11048 | 1 | . Alternator |
| 6 | R1381125 | 2 | . Capscrew | 22 | R10295 | 1 | . Fan, Blower |
| 7 | R1381132 | 3 | . Capscrew | *a | R12575700 | 1 | . Fan, Suction |
| 8 | R1381195 | 2 | . Nut | *a | R11150 | 2 | . Spacer |
| 10 | R13811228 | 8 | . Capscrew | 23 | R13809583 | 4 | . Washer |
| 11 | R13811236 | 4 | . Capscrew | 24 | R13811215 | 4 | . Capscrew |
| 12 | R13811432 | 8 | . Washer | *a | R13811219 | 4 | . Capscrew |
| 13 | R13811433 | 4 | . Washer | | | | |
| 14 | R13811435 | 7 | . Washer | *a | Suction Fan Option P/N R11321 | | |
| 16 | R13811469 | 2 | . Nut | | | | |

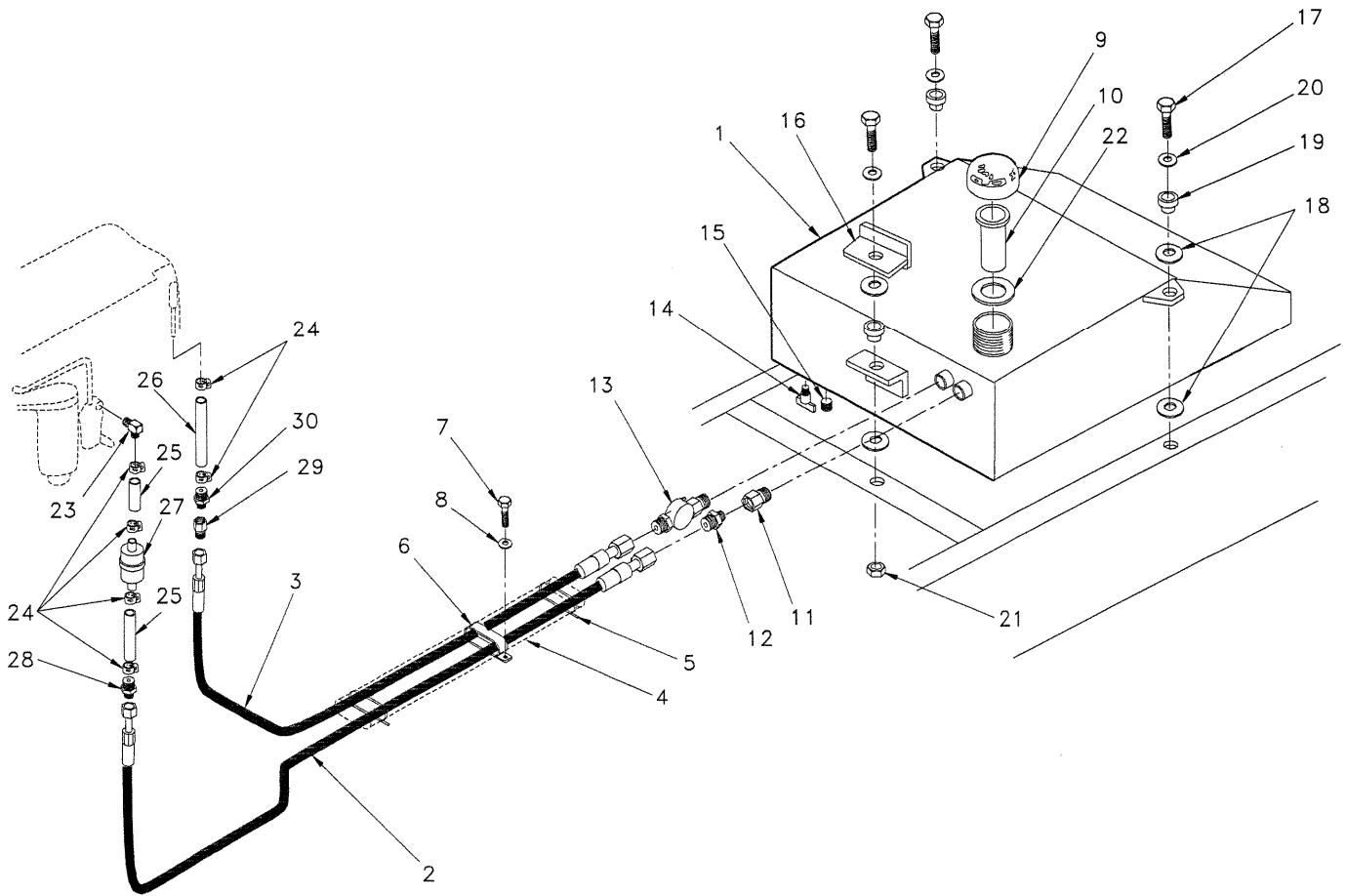
Intentionally blank



Hand Throttle

| Item | Part No | Qty | Description | Item | Part No | Qty | Description |
|------|---------------|-----|------------------------|------|-----------|-----|---------------|
| | R11679 | | Hand Throttle | | | | |
| 1 | R10167 | 1 | . Pivot | 5 | R13810989 | 1 | . Capscrew |
| 2 | R10168 | 1 | . Collar | 6 | R13811173 | 1 | . Nut |
| 3 | R10169 | 1 | . Cable, Hand Throttle | 7 | R270202 | 1 | . Pin, Cotter |
| 4 | R10741 | 1 | . Clip | | | | |

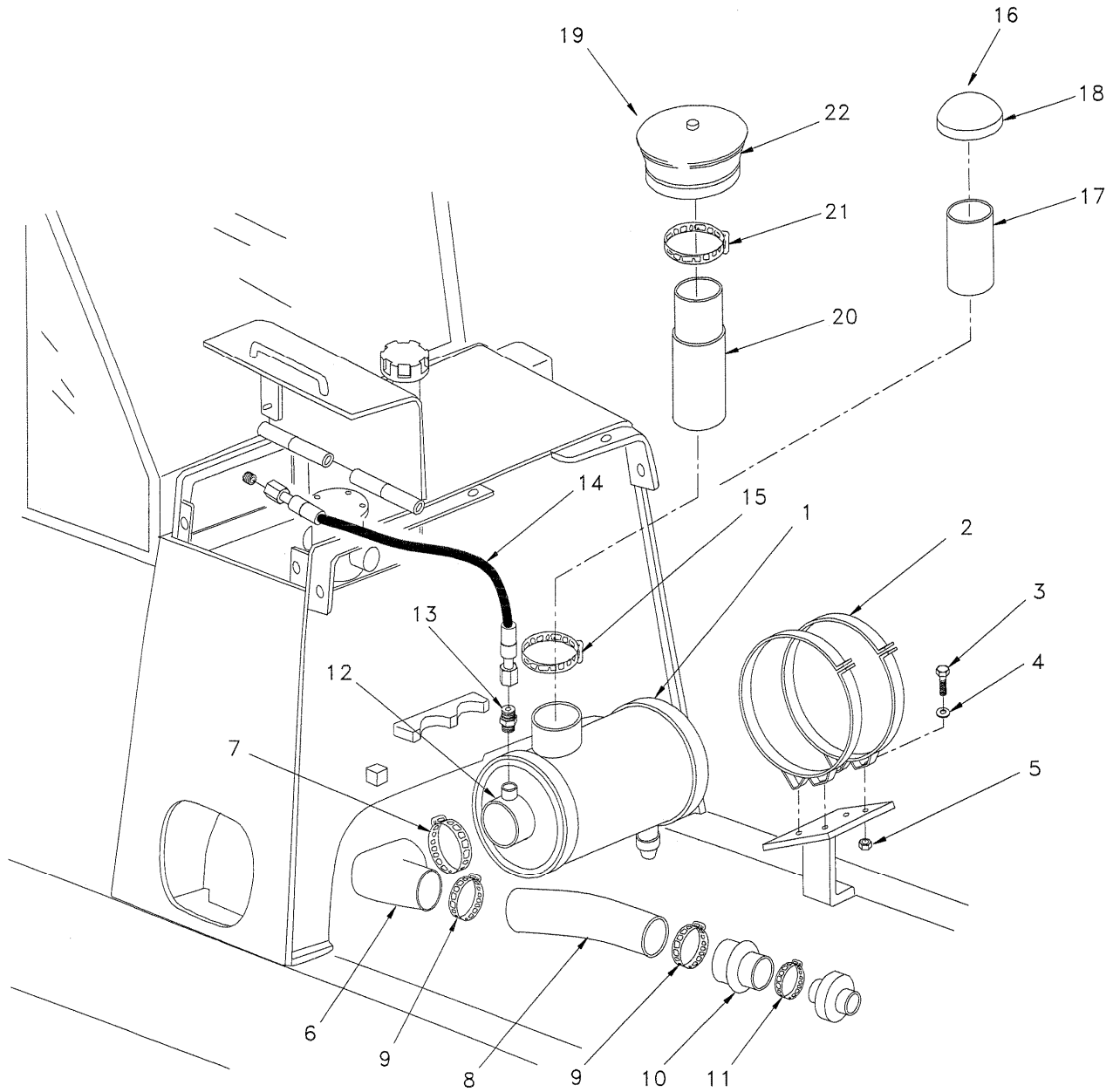
Intentionally blank



Fuel Tank Installation

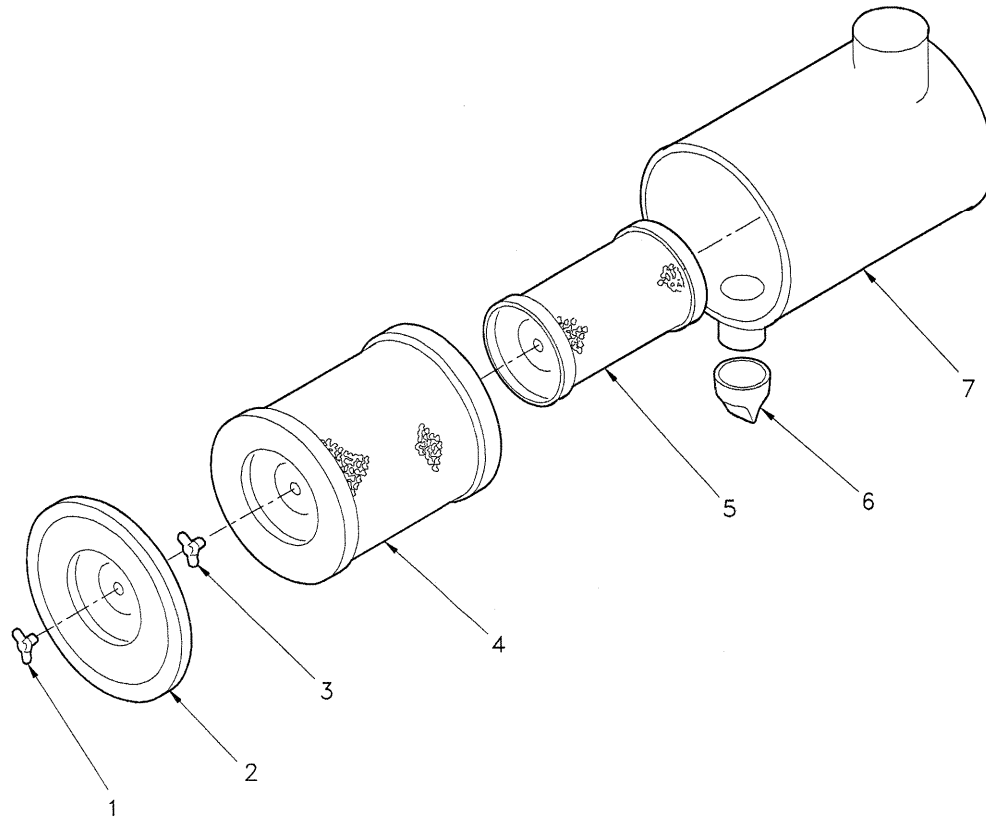
| Item | Part No | Qty | Description | Item | Part No | Qty | Description |
|------|---------------|-----|------------------------------|------|-----------|-----|--------------------|
| | R11572 | | Fuel Tank & Lines | | | | |
| 1 | R1937978 | 1 | . Fuel Tank | 16 | R10805 | 1 | . Hose Guard Wldmt |
| 2 | R12275 | 1 | . Hose Asm | 17 | R13811080 | 3 | . Capscrew |
| 3 | R12900 | 1 | . Hose Asm | 18 | R616796 | 3 | . Washer |
| 4 | R12577880 | A/R | . Sleeve | 19 | R584501 | 3 | . Mount |
| 5 | R1539058 | 4 | . Strap | 20 | R13806984 | 1 | . Washer |
| 6 | R13810033 | 1 | . Clamp | 21 | R13803583 | 1 | . Nut |
| 7 | R13810857 | 1 | . Capscrew | 22 | R11710 | 1 | . Ring |
| 8 | R13811431 | 1 | . Washer | 23 | R12577642 | 1 | . Fitting |
| 9 | R1558644 | 1 | . Cap, Fuel | 24 | R6515575 | 6 | . Clamp, Hose |
| 10 | R12577372 | 1 | . Strainer | 25 | R656247 | 2 | . Hose, Fuel |
| 11 | R13802215 | 1 | . Fitting | 26 | R1317062 | 1 | . Hose, Fuel |
| 12 | R13804238 | 1 | . Fitting | 27 | R1992594 | 1 | . Filter, Fuel |
| 13 | R358394 | 1 | . Valve | 28 | R1939692 | 1 | . Fitting |
| 14 | R13803844 | 1 | . Draincock | 29 | R2388986 | 1 | . Fitting |
| 15 | R565295 | 1 | . Plug | 30 | R13807570 | 1 | . Fitting |

Intentionally blank



Air Intake Installation

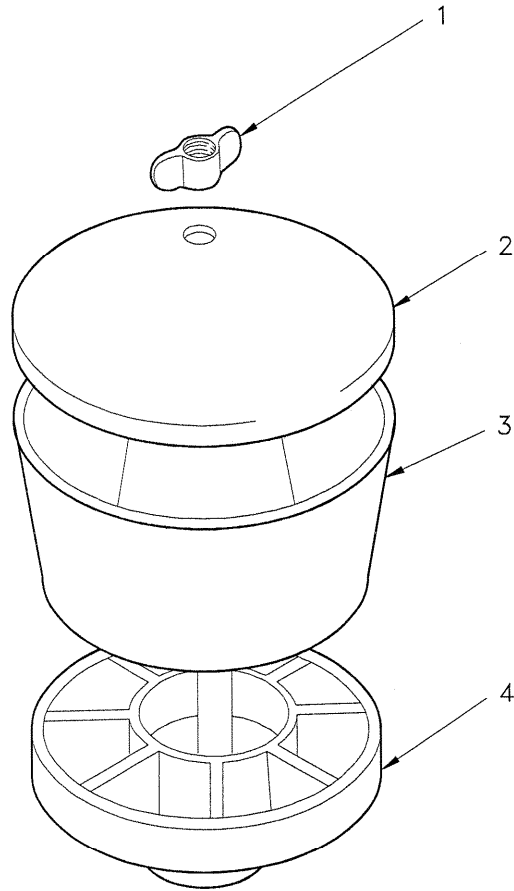
| Item | Part No | Qty | Description | Item | Part No | Qty | Description |
|---------------|-----------|-----|-------------------------|--------------------------------|---------------|-----|--------------------------|
| R11732 | | | | Air Intake Installation | | | |
| 1 | * R10396 | 1 | . Air Cleaner (2 - 5.2) | 13 | R833450 | 1 | . Fitting |
| 2 | R10605 | 2 | . Band | 14 | R12019 | 1 | . Hose Asm |
| 3 | R13801807 | 4 | . Capscrew | 16 | R11734 | | Air Intake Cap |
| 4 | R13802915 | 4 | . Washer | 15 | R1500433 | 1 | .. Clamp |
| 5 | R13811191 | 4 | . Nut | 17 | R1938301 | 1 | .. Tube |
| 6 | R10258 | 1 | . Elbow | 18 | R1550811 | 1 | .. Cap |
| 7 | R13809949 | 1 | . Clamp | 19 | R11733 | | Pre-Cleaner |
| 8 | R10627 | 1 | . Tube | 15 | R1500433 | 1 | .. Clamp |
| 9 | R13809947 | 2 | . Clamp | 20 | R10773 | 1 | .. Tube |
| 10 | R10422 | 1 | . Elbow | 21 | R13808431 | 1 | .. Clamp |
| 11 | R13809945 | 1 | . Clamp | 22 | * R1939109 | 1 | .. Pre Cleaner (2 - 5.3) |
| 12 | R291701 | 1 | . Elbow | | | | |



Air Cleaner Assembly

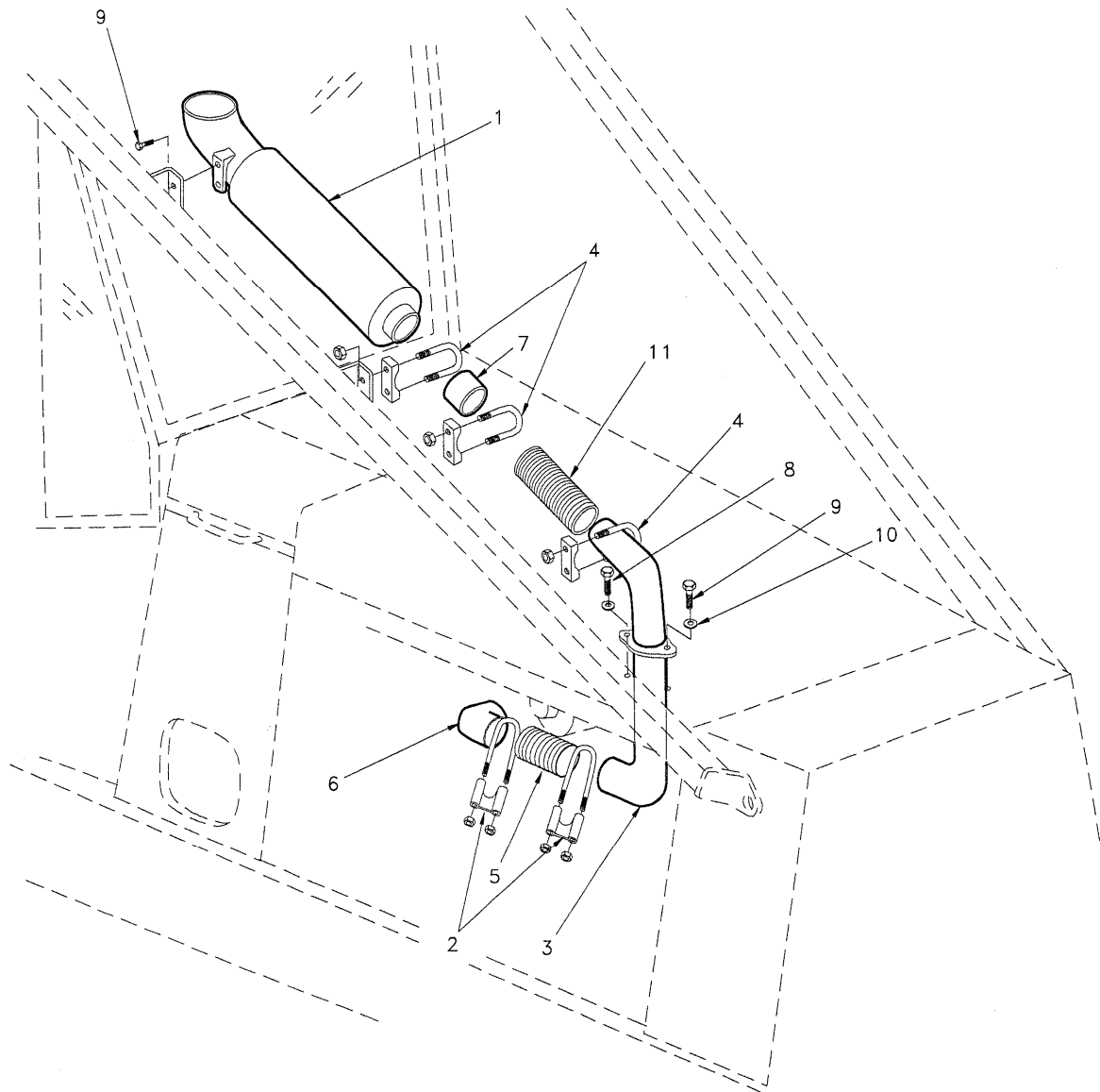
| Item | Part No | Qty | Description |
|------|---------------|-----|--------------------------|
| | R10396 | | Air Cleaner |
| 1 | R1991857 | 1 | . Wing Nut |
| 2 | NSS | 1 | . Cover |
| 3 | R1991856 | 1 | . Wing Nut |
| 4 | R12607137 | 1 | . Primary Filter Element |

| Item | Part No | Qty | Description |
|------|-----------|-----|-------------------------|
| 5 | R12607138 | 1 | . Safety Filter Element |
| 6 | R9032514 | 1 | . Vacuator |
| 7 | NSS | 1 | . Body |



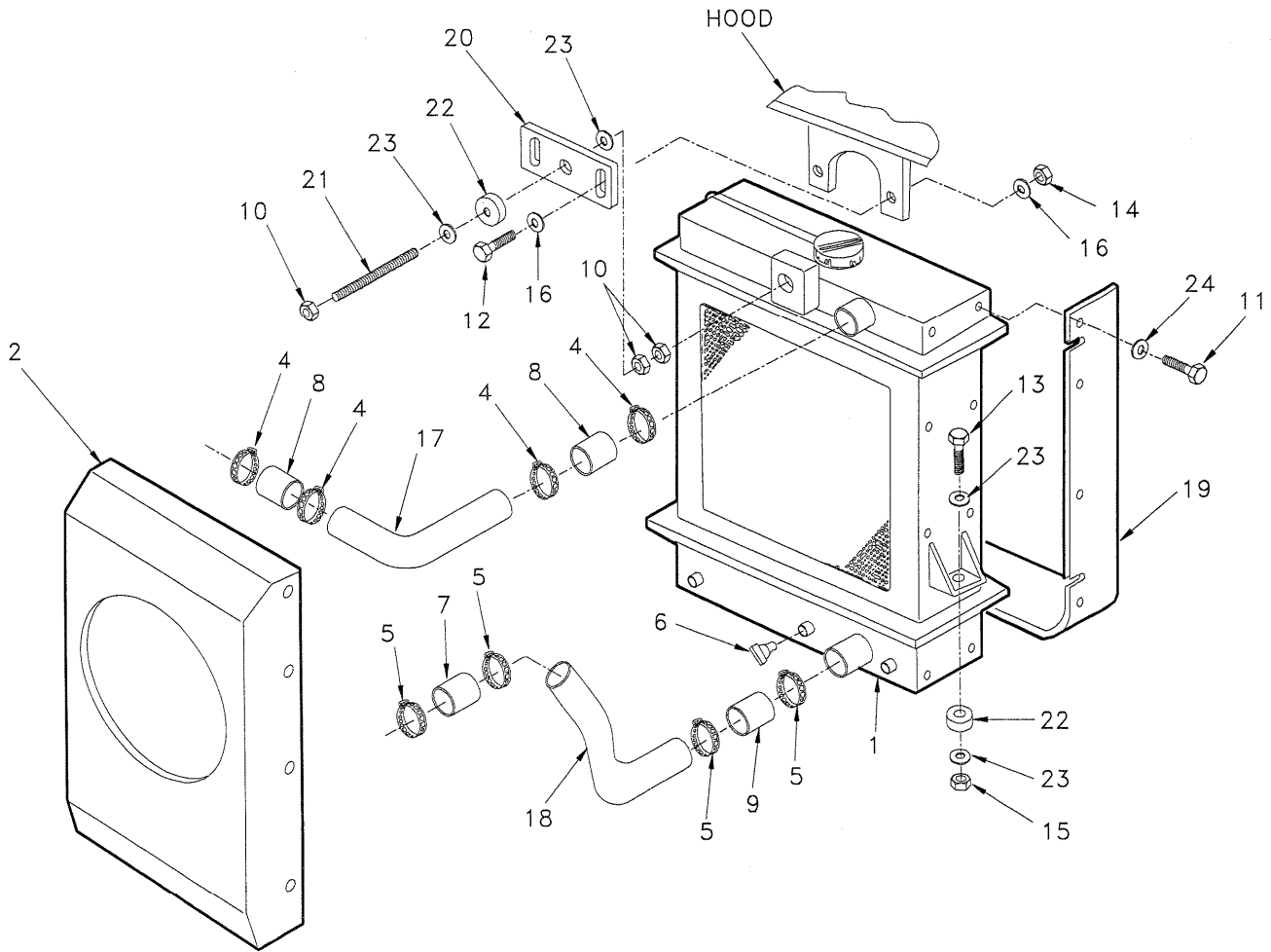
Air Pre-Clean Intake Cap

| Item | Part No | Qty | Description | Item | Part No | Qty | Description |
|------|-----------------|-----|---------------------------------|------|---------|-----|-------------|
| | R1939109 | | Air Pre-Clean Intake Cap | | | | |
| 1 | R1991882 | 1 | . Wing Nut | | | | |
| 2 | R3984428 | 1 | . Cover Assembly | | | | |
| 3 | R3984429 | 1 | . Body | | | | |
| 4 | NSS | 1 | . Adapter Assembly | | | | |



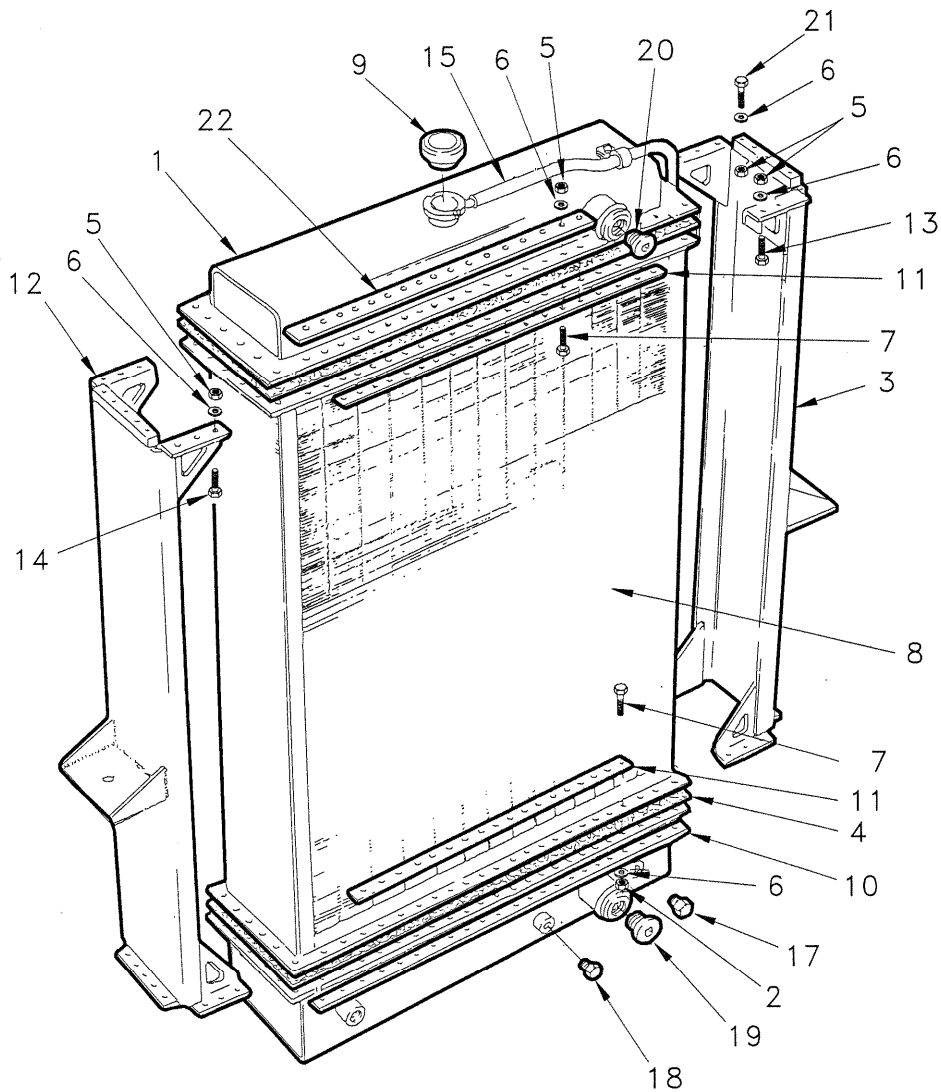
Exhaust System

| Item | Part No | Qty | Description | Item | Part No | Qty | Description |
|------|---------------|-----|-----------------------|------|-----------|-----|-------------|
| | R11759 | | Exhaust System | | | | |
| 1 | R10227 | 1 | . Muffler | 7 | R10807 | 1 | . Tube |
| 2 | R10229 | 2 | . Clamp | 8 | R13811033 | 1 | . Capscrew |
| 3 | R10240 | 1 | . Tube Wldmt, Exhaust | 9 | R13811035 | 3 | . Capscrew |
| 4 | R10243 | 3 | . Clamp | 10 | R13812514 | 2 | . Washer |
| 5 | R10687 | 1 | . Tube, Flex | 11 | R1938211 | 1 | . Tube |
| 6 | R10690 | 1 | . Turbo Outlet Wldmt | | | | |



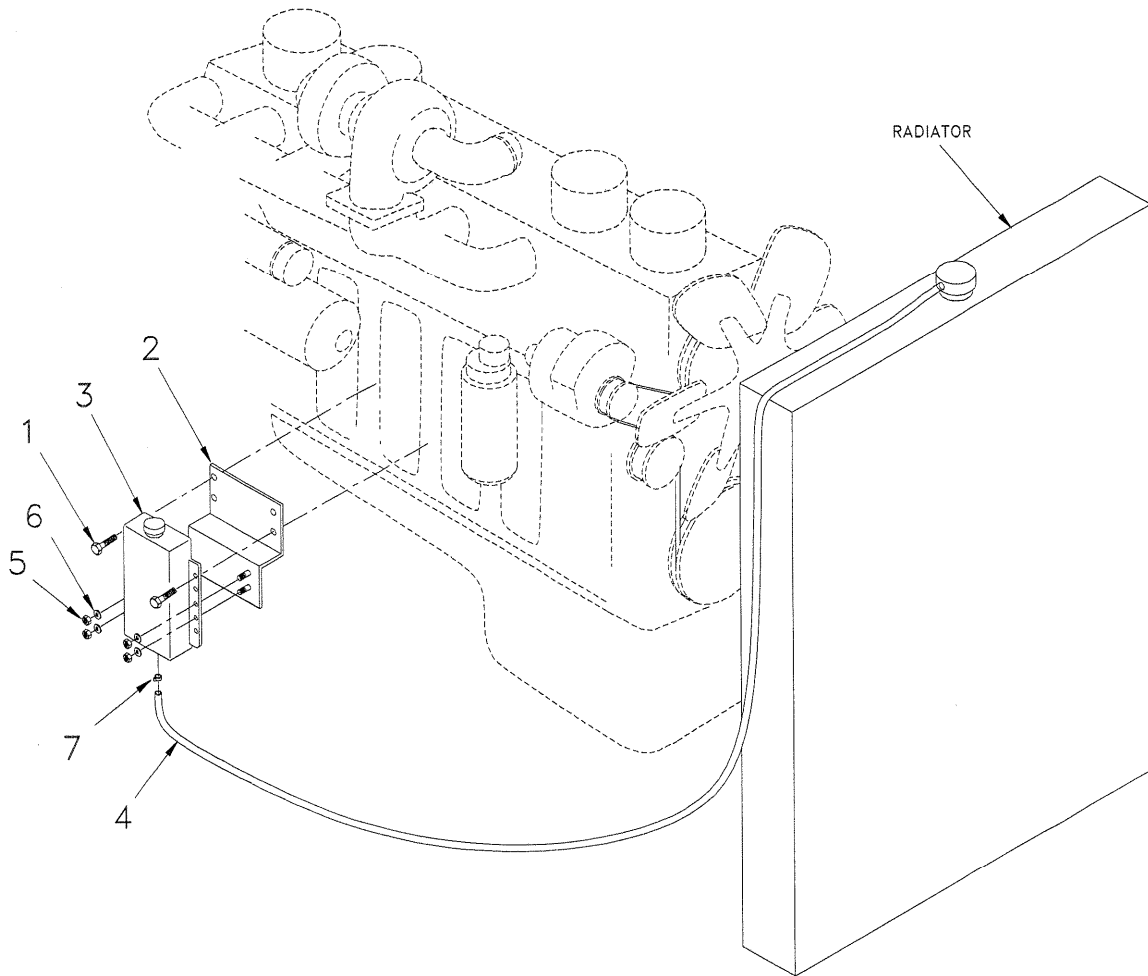
Radiator Installation

| Item | Part No | Qty | Description | Item | Part No | Qty | Description |
|-------------------------------------|-----------|-----|----------------------|------|-----------|-----|------------------|
| R11616 Radiator Installation | | | | | | | |
| 1 | * R10203 | 1 | . Radiator (2 - 6.2) | 14 | R13811191 | 2 | . Nut |
| 2 | R10457 | 1 | . Shroud | 15 | R13811193 | 2 | . Nut |
| 4 | R13803311 | 4 | . Clamp, Hose | 16 | R13811431 | 4 | . Washer |
| 5 | R13803313 | 4 | . Clamp, Hose | 17 | R1938204 | 1 | . Tube |
| 6 | R13803843 | 1 | . Draincock | 18 | R1938205 | 1 | . Tube |
| 7 | R13804503 | 1 | . Hose | 19 | R1938293 | 1 | . Baffle |
| 8 | R13809326 | 2 | . Hose | 20 | R1939242 | 1 | . Plate, Bracket |
| 9 | R13809330 | 4 | . Hose | 21 | R1939243 | 1 | . Rod |
| 10 | R13809557 | 3 | . Nut | 22 | R569739 | 3 | . Mount |
| 11 | R13810991 | 16 | . Capscrew | 23 | R616796 | 6 | . Washer |
| 12 | R13811037 | 2 | . Capscrew | 24 | R616880 | 16 | . Washer |
| 13 | R13811079 | 2 | . Capscrew | | | | |



Radiator Assembly

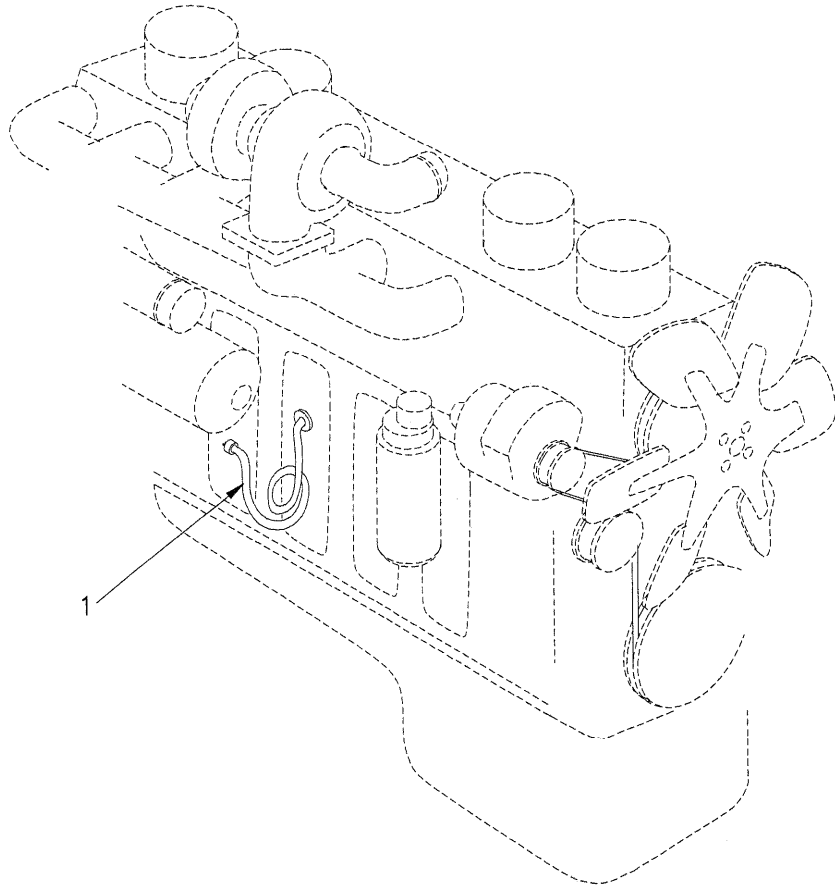
| Item | Part No | Qty | Description | Item | Part No | Qty | Description |
|------|---------------|-----|--------------------------|------|---------------------|-----|----------------|
| | R10203 | | Radiator Assembly | | | | |
| 1 | R13858 | 1 | . Tank Top | 12 | R1992630 | 1 | . Side Asm, RH |
| 2 | R13857 | 1 | . Bottom Tank | 13 | R13800171 | 8 | . Capscrew |
| 3 | R1992631 | 1 | . Side Asm, LH | 14 | R13800175 | 24 | . Capscrew |
| 4 | *a ----- | 4 | . Gasket | 15 | R12000059 | 1 | . Tube |
| | *a ----- | 4 | . Gasket | 16 | R13865 | 1 | . Bar |
| 5 | R13811512 | 68 | . Nut | 17 | R13863 | 1 | . Plug |
| 6 | R13806978 | 88 | . Washer | 18 | R13860 | 1 | . Plug |
| 7 | R13800173 | 35 | . Capscrew | 19 | R13861 | 1 | . Plug |
| 8 | R13856 | 1 | . Core | 20 | R13862 | 1 | . Plug |
| | *b R13867 | 2 | . Bracket | 21 | R13800159 | 20 | . Capscrew |
| | *b R13868 | 2 | . Pad | 22 | R13866 | 1 | . Bar |
| 9 | R11519 | 1 | . Cap | | | | |
| 10 | R13864 | 3 | . Bar | | | | |
| 11 | R13859 | 4 | . Bar | | | | |
| | | | | *a | Seal Kit P\N R11584 | | |
| | | | | *b | Not Illustrated | | |



Coolant Collection Tank Installation

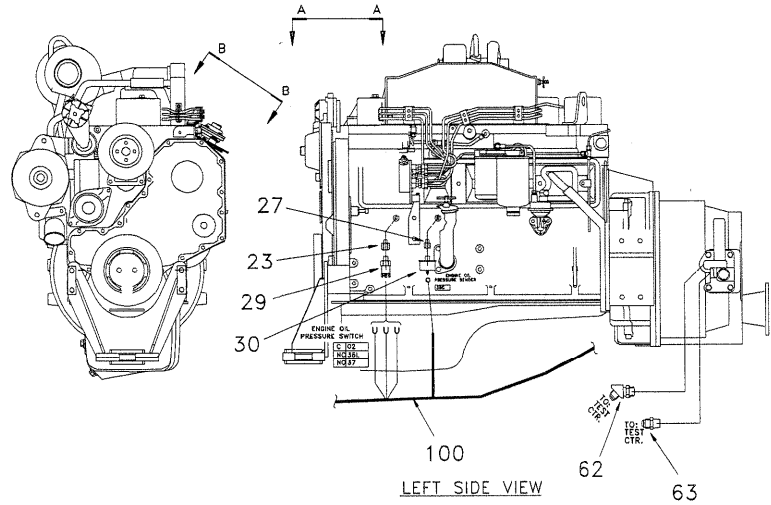
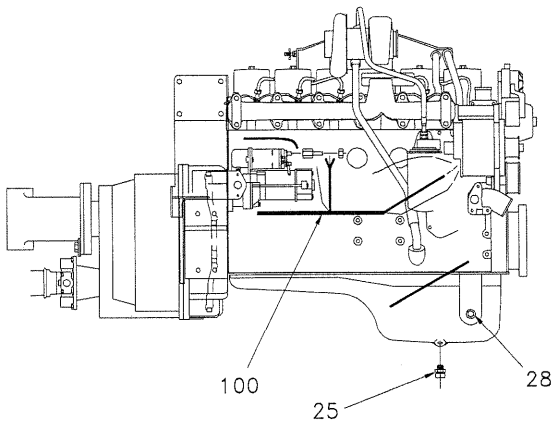
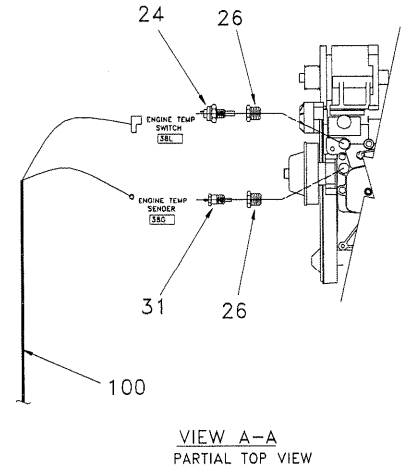
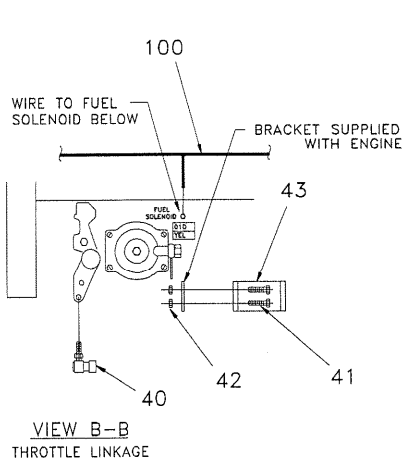
| Item | Part No | Qty | Description | Item | Part No | Qty | Description |
|------|---------------|-----|---|------|-----------|-----|-------------|
| | R11617 | | Coolant Collection Tank Installation | | | | |
| 1 | R13811225 | 3 | . Capscrew | 5 | R13806822 | 4 | . Nut |
| 2 | R11651 | 1 | . Bracket | 6 | R13802619 | 4 | . Washer |
| 3 | R11166 | 1 | . Bottle | 7 | R13803319 | 1 | . Clamp |
| 4 | R11517 | 1 | . Hose Asm | 8 | R13944 | 1 | . Decal |

Intentionally blank



Block Heater

| Item | Part No | Qty | Description | Item | Part No | Qty | Description |
|------|---------------|-----|---------------------|------|---------|-----|-------------|
| | R11991 | | Block Heater | | | | |
| 1 | R1937602 | 1 | . Block Heater | | | | |
| 2 | R1539058 | 1 | . Strap, Tie | | | | |



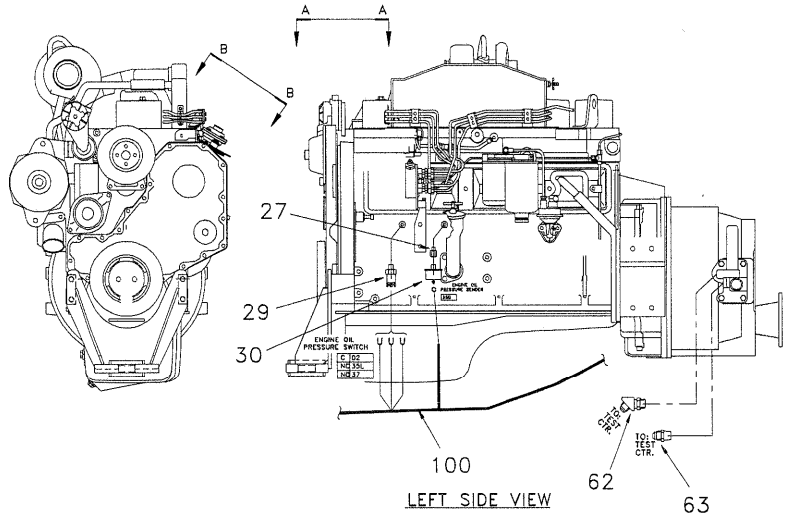
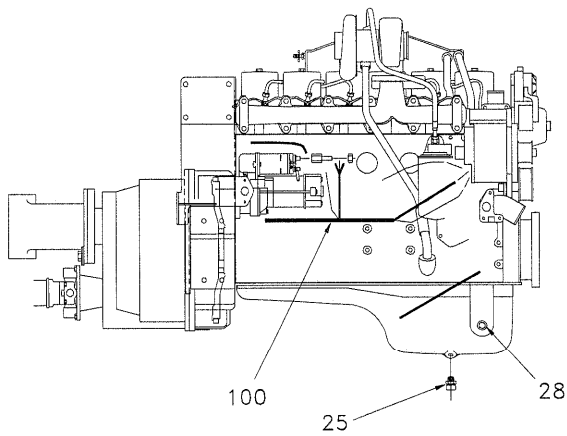
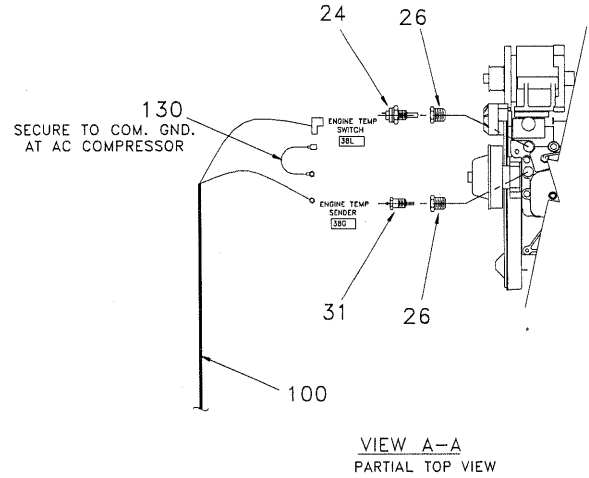
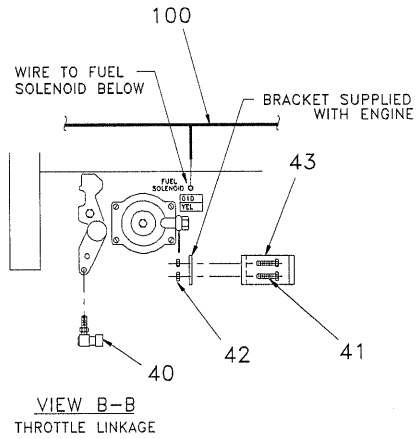
Engine Sensors and Fittings

| Item | Part No | Qty | Description |
|------|-------------|-----|------------------------------------|
| *a | R014 | | Engine Sensors and Fittings |
| 23 | R10639 | 1 | . Fitting |
| 24 | R10654 | 1 | . Switch, Temp |
| 25 | R10703 | 1 | . Drain |
| 26 | R13802219 | 2 | . Fitting |
| 27 | R1517252 | 1 | . Fitting |
| 28 | R290605 | 1 | . Fitting |
| 29 | R4500016 | 1 | . Switch, Press |
| 30 | R4510225 | 1 | . Sender, Oil Press |
| 31 | R4510226 | 1 | . Sender, Water Temp |
| 40 | R10014 | 1 | . Ball Joint |

| Item | Part No | Qty | Description |
|------|-----------|-----|------------------------|
| 41 | R13810992 | 6 | . Capscrew |
| 42 | R13811189 | 6 | . Nut |
| 43 | R10701 | 1 | . Plate |
| 62 | R833500 | 1 | . Fitting |
| 63 | R833450 | 1 | . Fitting |
| 100 | R10490 | 1 | . Wire Harness, Engine |

*a Last used on Unit S/N 268

First used on Unit S/N 269

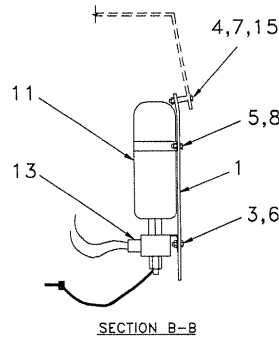
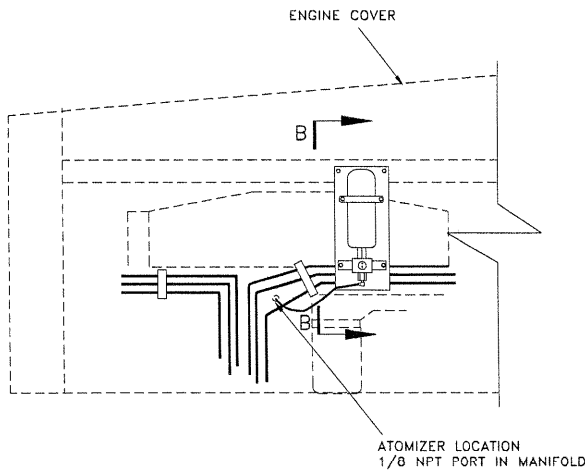
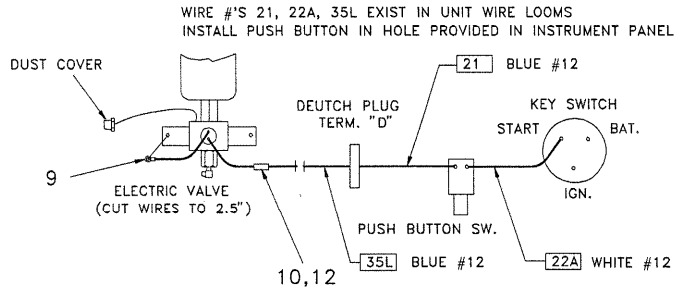


Engine Sensors and Fittings

| Item | Part No | Qty | Description |
|--|-----------|-----|----------------------|
| *a R114 Engine Sensors and Fittings | | | |
| 24 | R10654 | 1 | . Switch, Temp |
| 25 | R10703 | 1 | . Drain |
| 26 | R13802219 | 2 | . Fitting |
| 27 | R1517252 | 1 | . Fitting |
| 28 | R290605 | 1 | . Fitting |
| 29 | R13637 | 1 | . Switch, Press |
| 30 | R4510225 | 1 | . Sender, Oil Press |
| 31 | R4510226 | 1 | . Sender, Water Temp |
| 40 | R10014 | 1 | . Ball Joint |

| Item | Part No | Qty | Description |
|------|-----------|-----|------------------------|
| 41 | R13810992 | 6 | . Capscrew |
| 42 | R13811189 | 6 | . Nut |
| 43 | R10701 | 1 | . Plate |
| 62 | R833500 | 1 | . Fitting |
| 63 | R833450 | 1 | . Fitting |
| 100 | R10490 | 1 | . Wire Harness, Engine |
| 130 | R11381 | 1 | . Wire Asm |

*a First used on Unit S/N 269



Cold Start Kit

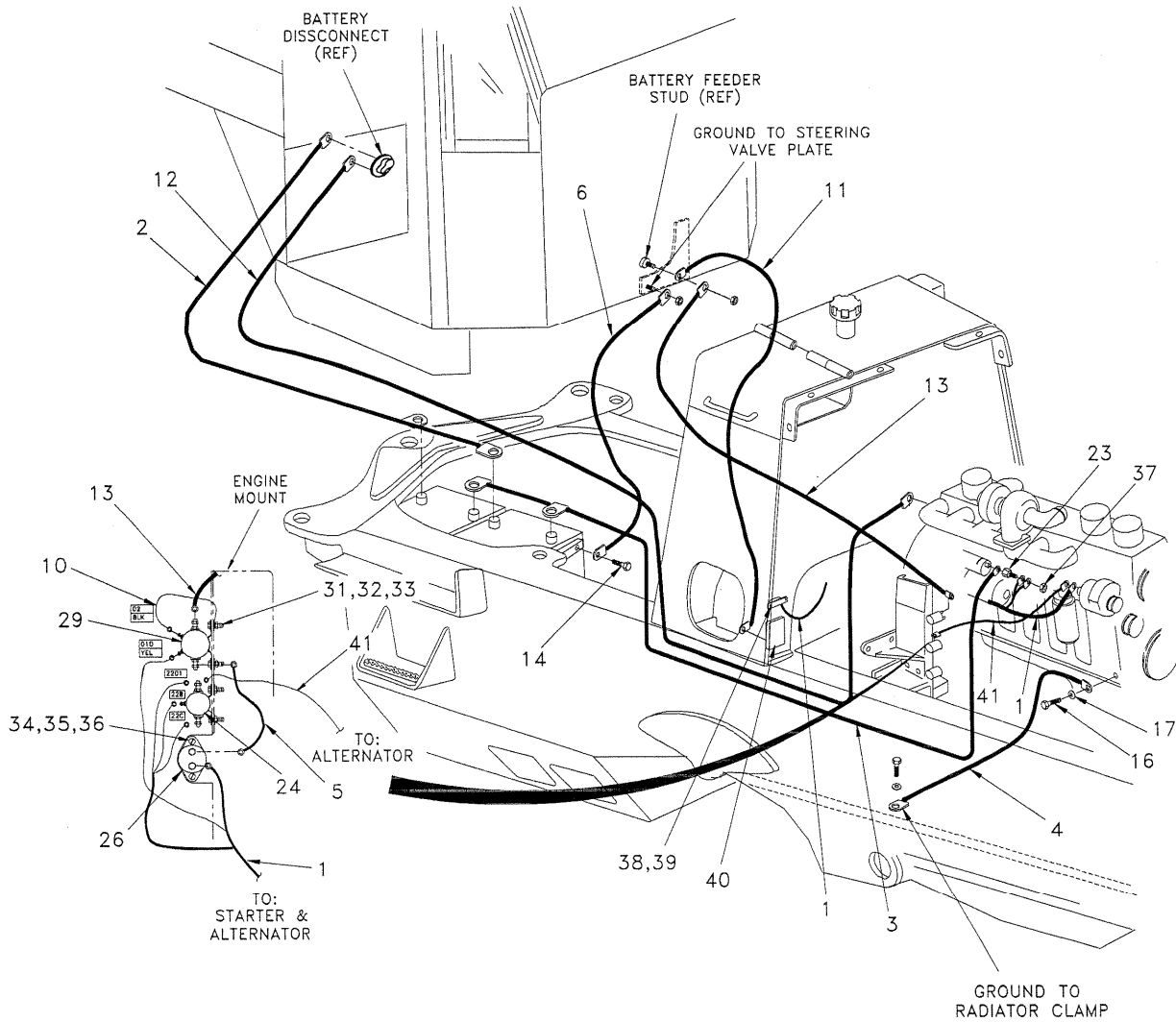
| Item | Part No | Qty | Description | Item | Part No | Qty | Description |
|------|---------------|-----|-----------------------|------|-----------|-----|------------------------------|
| | R11066 | | Cold Start Kit | | | | |
| 1 | R12570351 | 1 | . Bracket | 9 | R13810627 | 1 | . Terminal |
| 3 | R13801779 | 2 | . Capscrew | 10 | R1513577 | 1 | . Terminal |
| 4 | R13801796 | 2 | . Capscrew | 11 | R1572143 | 1 | . Tank |
| 5 | R13801807 | 2 | . Capscrew | 12 | R1692900 | 1 | . Tube |
| 6 | R13803580 | 2 | . Nut | 13 | R1939708 | 1 | . Dispenser, Ether Start Kit |
| 7 | R13803581 | 2 | . Nut | 14 | R2542721 | 1 | . Decal |
| 8 | R13803582 | 2 | . Nut | 15 | R11068 | 2 | . Spacer |

Section 3

Electrical System

| Page No | Description |
|--------------|--------------------------------------|
| 3 - 1 | Systems and Circuits |
| 3 - 1.1 | Electrical Cable Harnesses |
| 3 - 2 | Components |
| 3 - 2.1 | Battery Installation |
| ----- | Instruments/Gauges - See Section 8-2 |
| 3 - 3 | Miscellaneous |

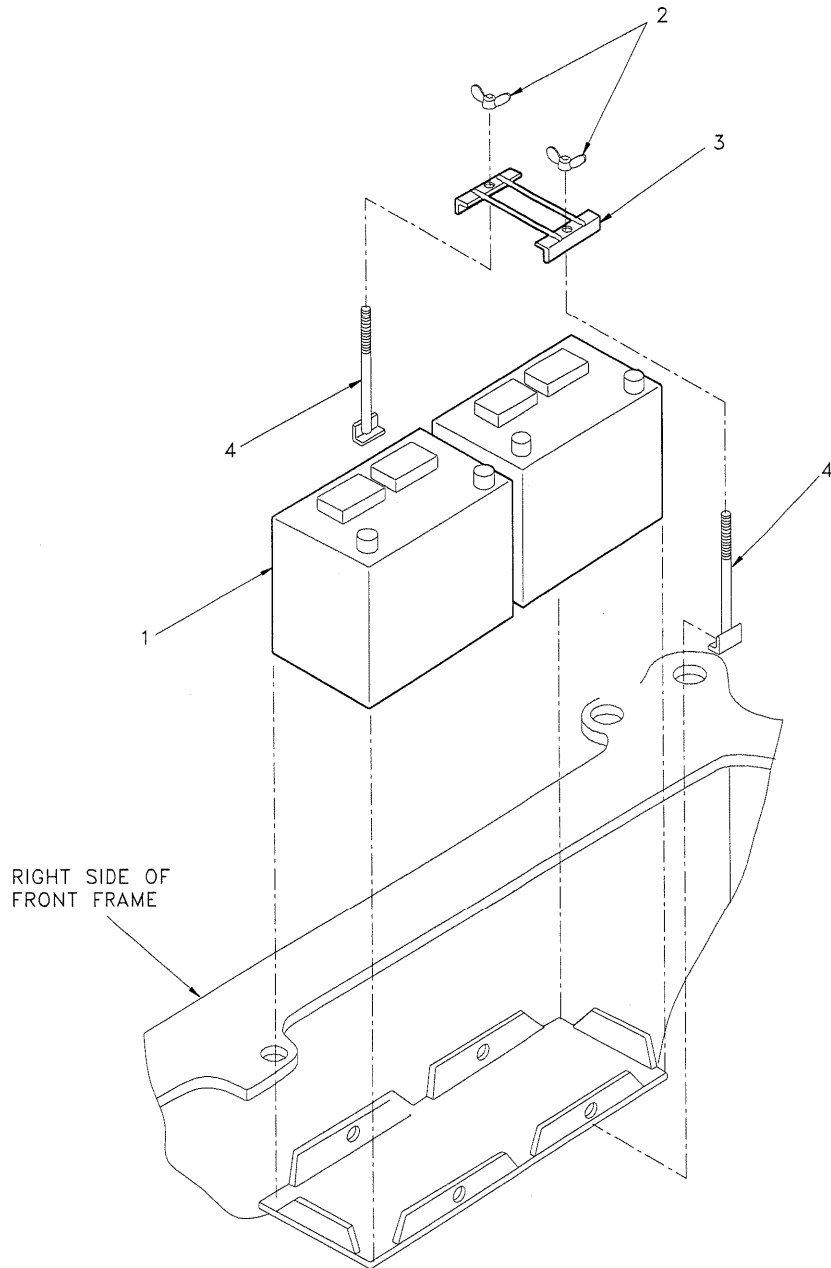
Intentionally blank



Electrical Cable Harnesses

| Item | Part No | Qty | Description | Item | Part No | Qty | Description |
|-------------|-----------|-----|------------------------------|-----------------------------------|-----------|-----|-------------------|
| R011 | | | | Electrical Cable Harnesses | | | |
| 1 | R10490 | 1 | . Wire Harness, Engine | 24 | R551530 | 1 | . Switch |
| 2 | R10691 | 1 | . Wire Harness, Battery Grnd | 26 | R740819 | 1 | . Circuit Breaker |
| 3 | R10692 | 1 | . Wire Harness, Battery Pos | 29 | R11497 | 1 | . Relay, Solenoid |
| 4 | R10694 | 1 | . Wire Harness, Frame Grnd | 31 | R13810992 | 4 | . Capscrew |
| 5 | R10695 | 1 | . Wire Harness, Relay | 32 | R13811189 | 8 | . Nut |
| 6 | R10696 | 1 | . Wire Harness, Frame Grnd | 33 | R13812213 | 4 | . Washer |
| 10 | R10777 | 1 | . Wire | 34 | R13803754 | 2 | . Capscrew |
| 11 | R10778 | 1 | . Cable Asm | 35 | R13809543 | 2 | . Nut |
| 12 | R10779 | 1 | . Wire Harness, Eng Grnd | 36 | R13806992 | 2 | . Washer |
| 13 | R10804 | 1 | . Cable, Power | 37 | R13811416 | 1 | . Nut |
| 14 | R13810856 | 1 | . Capscrew | 38 | R13813182 | 2 | . Capscrew |
| 16 | R13811226 | 1 | . Capscrew | 39 | R13803445 | 2 | . Nut |
| 17 | R13811433 | 1 | . Washer | 40 | R10608 | 1 | . Bar, Bus |
| 23 | R1938882 | 1 | . Bushing | 41 | R11047 | 1 | . Wire |

Intentionally blank



Battery Installation

| Item | Part No | Qty | Description | Item | Part No | Qty | Description |
|------|---------------|-----|-----------------------------|------|----------|-----|-------------|
| | R11780 | | Battery Installation | | | | |
| 1 | R1933604 | 2 | . Battery | 3 | R2020806 | 4 | . Rod |
| 2 | R2020722 | 2 | . Battery Holddown | 4 | R550202 | 4 | . Nut, Wing |

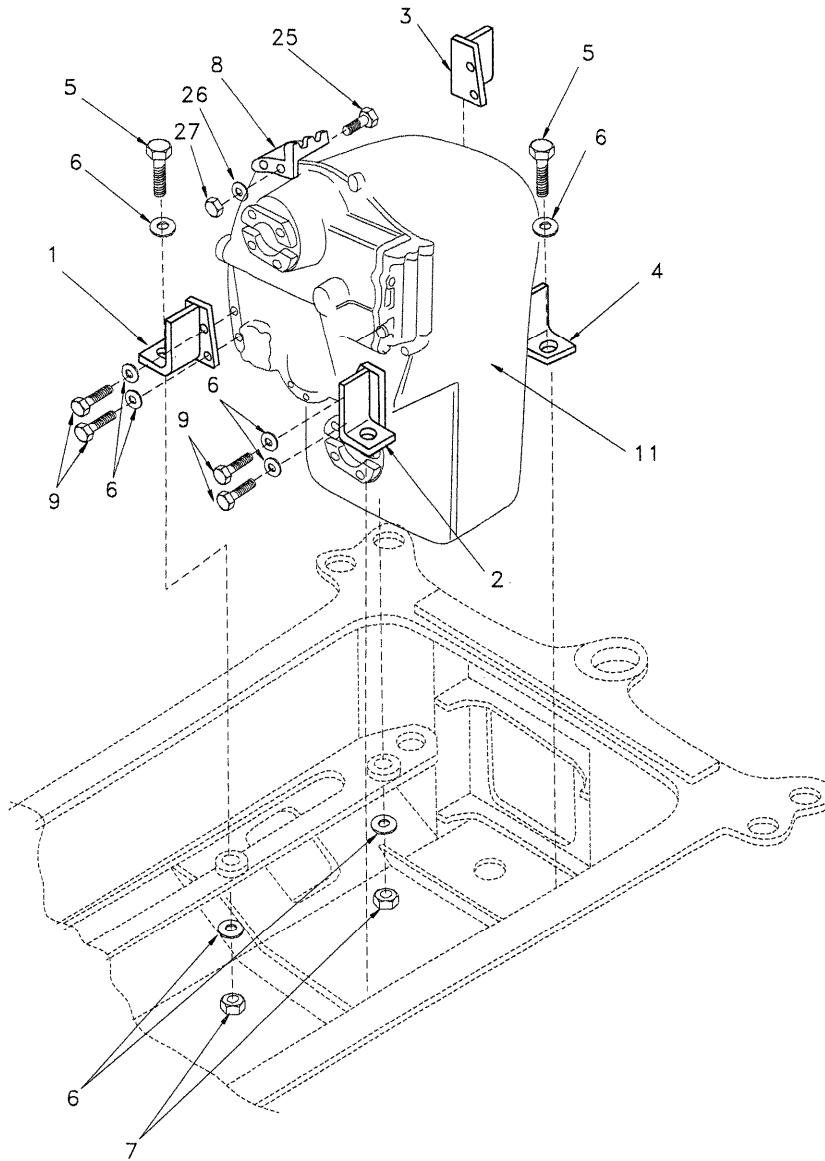
Intentionally blank

Section 4

Drive Train

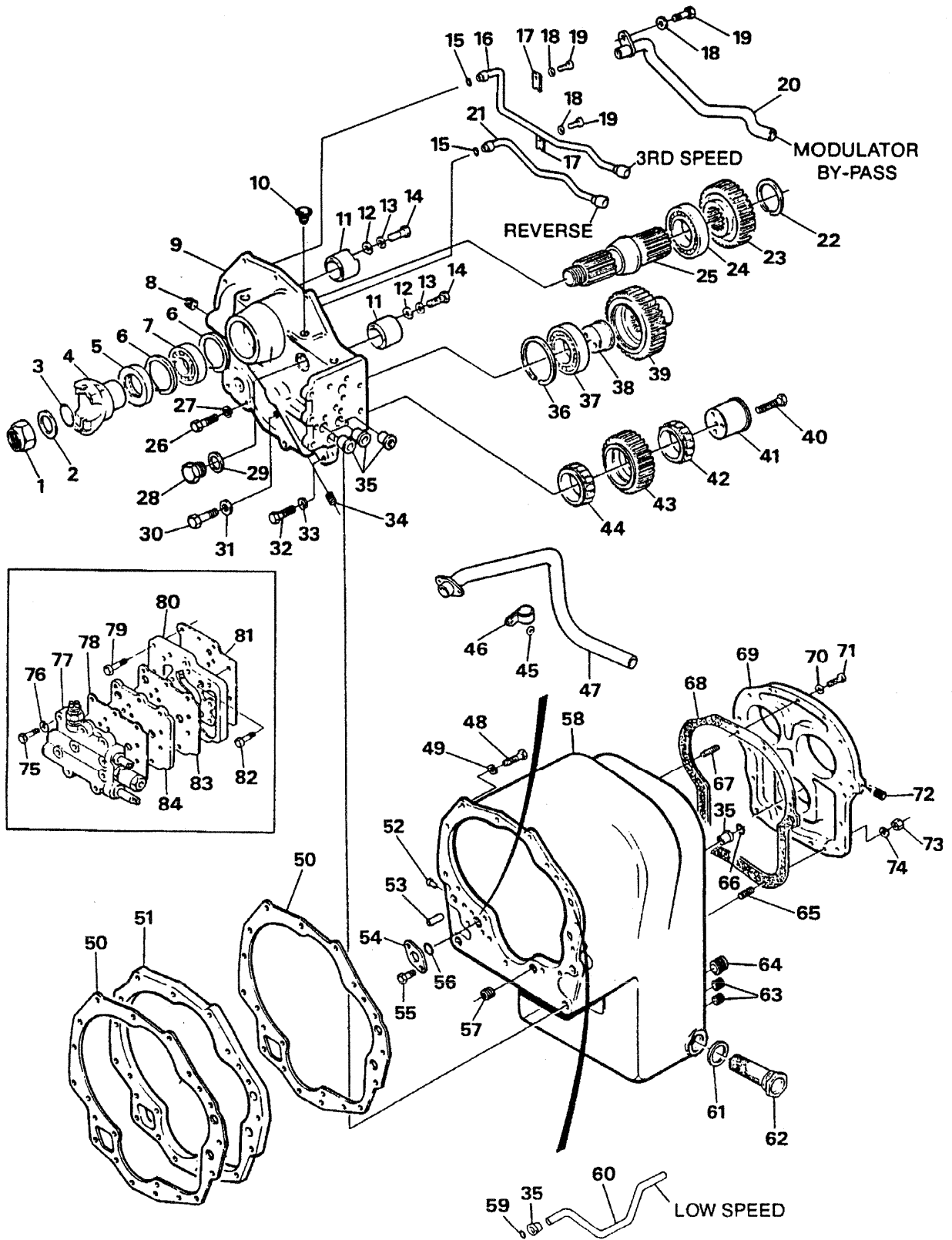
| Page No | Description |
|--------------|---|
| 4 - 1 | Transmission and Converter |
| 4 - 1.1 | Transmission Installation |
| 4 - 1.2 | Transmission Assembly |
| 4 - 1.6 | Clutch Group, Reverse and Third |
| 4 - 1.8 | Clutch Group, Forward and Reverse |
| 4 - 1.10 | Clutch Group, Low |
| 4 - 1.12 | Transmission Control Valve |
| 4 - 1.14 | Transmission Hydraulic Brake |
| 4 - 1.16 | Shift Control |
| 4 - 1.17 | Converter Installation |
| 4 - 1.18 | Converter Assembly |
| 4 - 1.22 | Pressure Regulator - Converter |
| 4 - 1.23 | Charging Pump - Converter |
| 4 - 1.24 | Transmission and Converter Plumbing |
| 4 - 1.26 | Declutch Installation |
| 4 - 1.28 | Declutch Solenoid Valve |
| 4 - 2 | Drivelines |
| 4 - 2.1 | Driveline Installation |
| 4 - 2.2 | Driveline - Converter to Transmission |
| 4 - 2.3 | Driveline - Axle |
| 4 - 2.4 | Driveline - Transmission to Mid Mount Brake |
| 4 - 2.5 | Driveline - Transmission to Winch |
| 4 - 3 | Axles |
| 4 - 3.1 | Axle Installation |
| 4 - 3.2 | Front Axle Assembly |
| 4 - 3.4 | Differential and Carrier Assembly |
| 4 - 3.6 | Planet Carrier Assembly |
| 4 - 3.8 | Rear Axle Assembly |
| 4 - 3.10 | Differential and Carrier Assembly |
| 4 - 3.12 | Planet Carrier Assembly |
| 4 - 4 | Wheels and Tires |
| 4 - 4.1 | Tire and Rim Assembly |
| 4 - 5 | Miscellaneous |

Intentionally blank



Transmission Installation

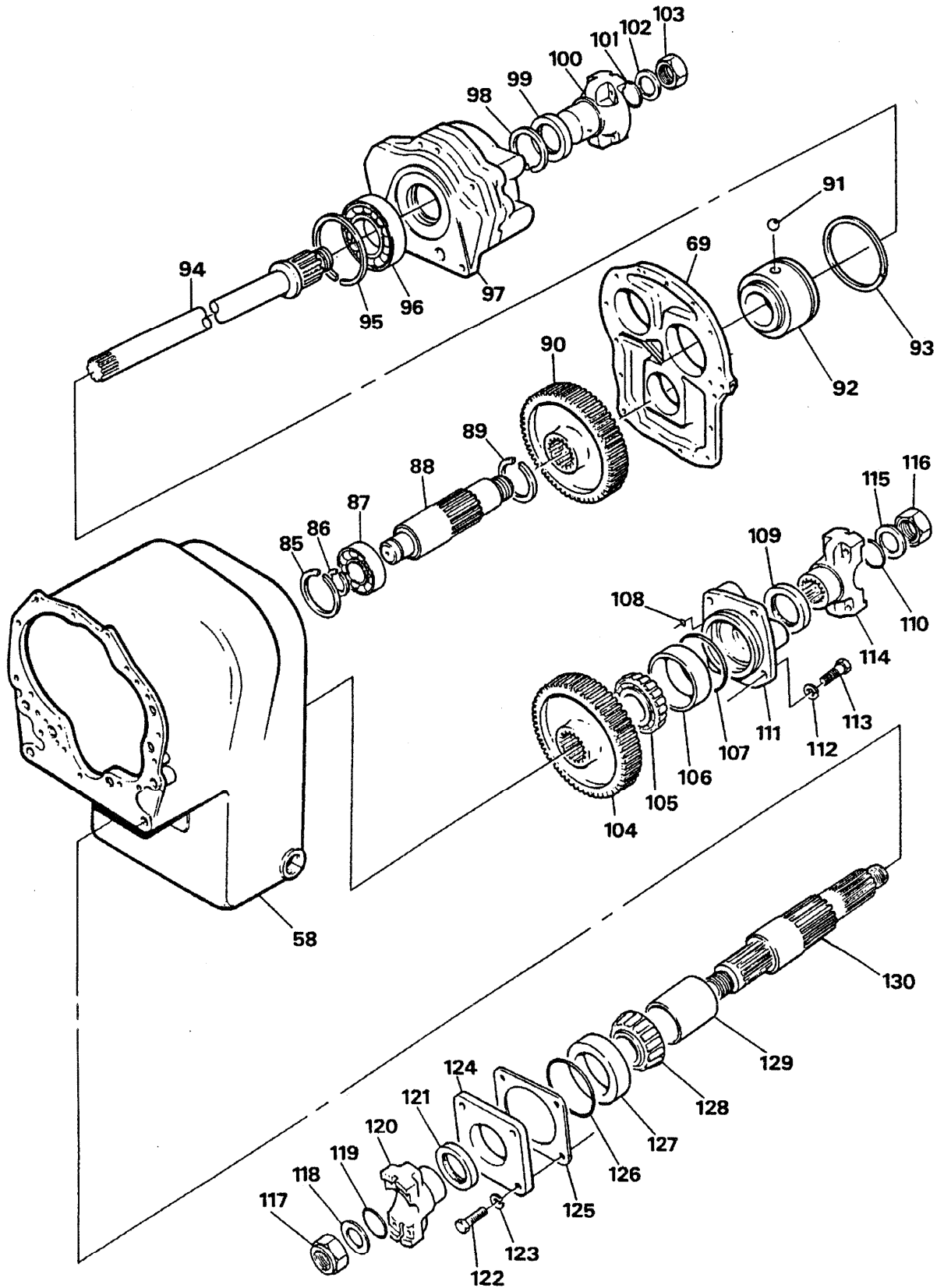
| Item | Part No | Qty | Description | Item | Part No | Qty | Description |
|------|---------------|-----|----------------------------------|------|-------------|-----|-----------------------------------|
| | R11456 | | Transmission Installation | | | | |
| 1 | R10548 | 1 | . Transmission Mount, RH Front | 8 | R10597 | 1 | . Bracket |
| 2 | R10549 | 1 | . Transmission Mount, LH Front | 9 | R13811146 | 8 | . Capscrew |
| 3 | R935097 | 1 | . Transmission Mount, RH Rear | 11 | * R12574777 | 1 | . Transmission (4 - 1.2) |
| 4 | R10596 | 1 | . Transmission Mount, LH Rear | 25 | Ref | 2 | . Capscrew - Provided with Trans. |
| 5 | R13804684 | 4 | . Capscrew | 26 | Ref | 2 | . Washer - Provided with Trans. |
| 6 | R13811436 | 16 | . Washer | 27 | Ref | 2 | . Nut - Provided with Trans. |
| 7 | R13811196 | 4 | . Nut | | | | |



Transmission Assembly

Transmission Assembly

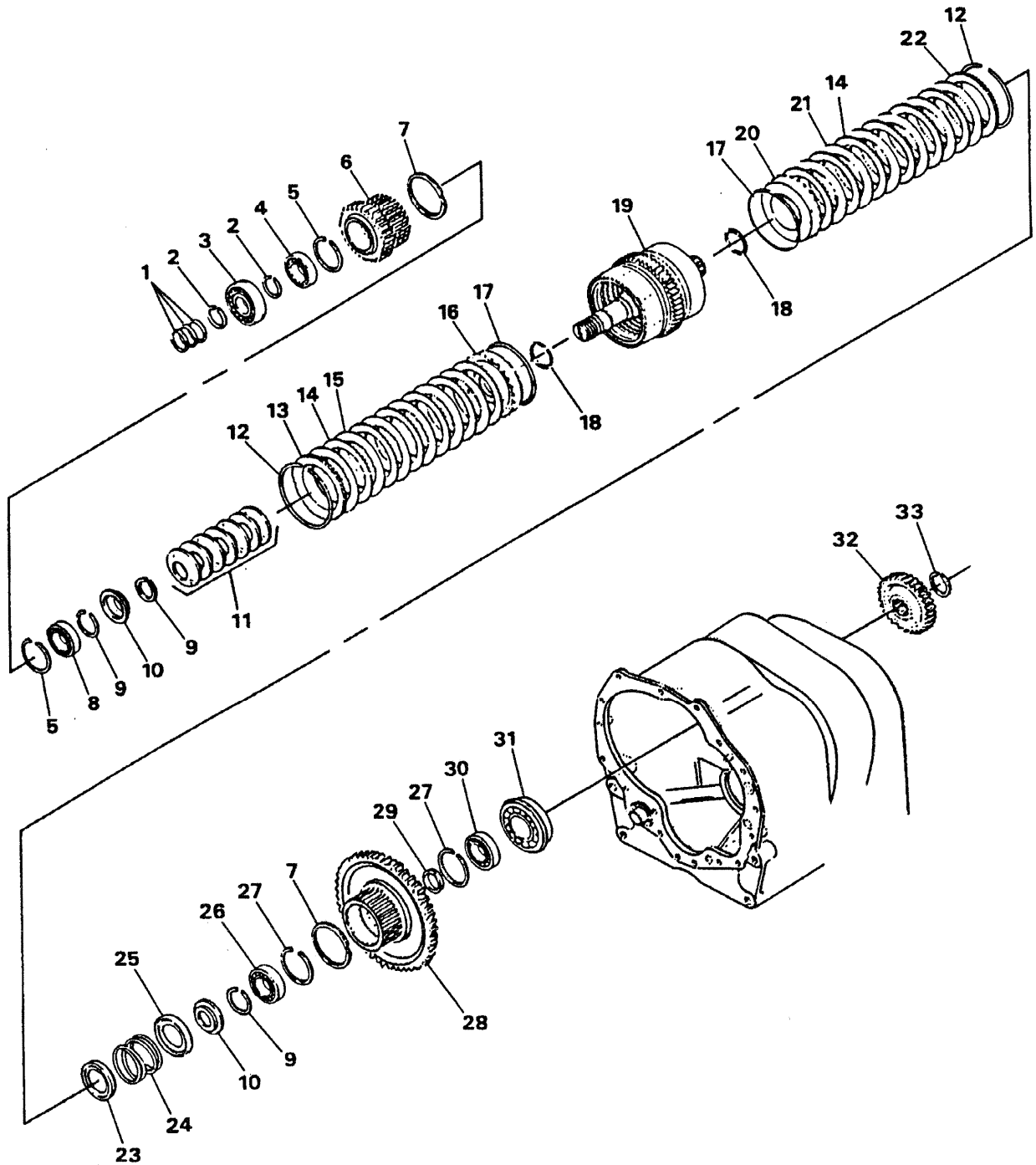
| Item | Part No | Qty | Description | Item | Part No | Qty | Description |
|------|------------------|-----|------------------------------|------|--------------|-----|-------------------------|
| | R12574777 | | Transmission Assembly | | | | |
| 1 | R216058 | 1 | . Nut | 42 | R231624 | 1 | . Race and Roller Asm |
| 2 | R102745 | 1 | . Washer | 43 | R246706 | 1 | . Gear |
| 3 | *a R13802760 | 1 | . O-Ring | 44 | R231624 | 1 | . Race and Roller Asm |
| 4 | R231553 | 1 | . Flange | 45 | R13802619 | 1 | . Washer |
| 5 | *a R11992881 | 1 | . Seal | 46 | R13801039 | 1 | . Clip |
| 6 | R4095037 | 2 | . Snap Ring | 47 | R234836 | 1 | . Tube |
| 7 | R225603 | 1 | . Bearing | 48 | R13800220 | 10 | . Screw |
| 8 | R1380139 | 1 | . Plug | 49 | R13806996 | 10 | . Lockwasher |
| 9 | *c R243379 | 1 | . Cover | 50 | *a R231606 | 2 | . Gasket |
| | R13800974 | 1 | . Nipple | 51 | R236821 | 1 | . Spacer |
| | R13802336 | 1 | . Cap | 52 | R13800451 | 1 | . Rivet |
| 10 | R11992984 | 1 | . Breather | 53 | R236823 | 2 | . Dowel Pin |
| 11 | R237576 | 2 | . Sleeve | 54 | R230921 | 1 | . Retainer |
| 12 | R230851 | 2 | . Lock | 55 | R13516 | 2 | . Bolt |
| 13 | R13800827 | 2 | . Washer | 56 | R13802756 | 1 | . O-Ring |
| 14 | R13800168 | 2 | . Screw | 57 | R13801478 | 1 | . Plug |
| 15 | R13802702 | 2 | . O-Ring | 58 | *b R231611 | 1 | . Transmission Case Asm |
| 16 | R231629 | 1 | . Tube Asm | 59 | *a R13802751 | 1 | . O-Ring |
| 17 | R231048 | 2 | . Clip | 60 | R230900 | 1 | . Tube |
| 18 | R13800827 | 3 | . Washer | 61 | *a R11992856 | 1 | . Gasket |
| 19 | R13800168 | 3 | . Screw | 62 | R11992879 | 1 | . Screen Asm |
| 20 | R243377 | 1 | . Tube Asm | 63 | R13810530 | 2 | . Plug |
| 21 | *c R231628 | 1 | . Tube Asm | 64 | R215757 | 1 | . Plug |
| 22 | R224026 | 1 | . Snap Ring | 65 | R200991 | 2 | . Stud |
| 23 | R12607082 | 1 | . Gear | 66 | *a R13802751 | 1 | . O-Ring |
| 24 | R241684 | 1 | . Bearing | 67 | R214118 | 2 | . Pin |
| 25 | R231782 | 1 | . Shaft | 68 | R242408 | 1 | . Gasket |
| 26 | R13800222 | 4 | . Screw | 69 | R242404 | 1 | . Cover, Rear |
| 27 | R13806996 | 4 | . Lockwasher | 70 | R13802877 | 13 | . Lockwasher |
| 28 | R219370 | 1 | . Plug | 71 | R13801831 | 13 | . Screw |
| 29 | *a R11992856 | 1 | . Gasket | 72 | R11992990 | 1 | . Plug |
| 30 | R13800798 | 2 | . Screw | 73 | R13806800 | 2 | . Nut |
| 31 | R743039 | 2 | . Lockwasher | 74 | R13802877 | 2 | . Lockwasher |
| 32 | R13800225 | 4 | . Screw | 75 | R13800203 | 9 | . Screw |
| 33 | R13806996 | 4 | . Lockwasher | 76 | R851374 | 9 | . Washer |
| 34 | R13801762 | 1 | . Plug | 77 | * R241636 | 1 | . Valve Asm (4 - 1.12) |
| 35 | *c R11992857 | 4 | . Sleeve | 78 | R243375 | 1 | . Gasket |
| 36 | R223925 | 1 | . Ring | 79 | R13800884 | 4 | . Screw |
| 37 | R4011012 | 1 | . Bearing | 80 | R246923 | 1 | . Housing |
| 38 | R231636 | 1 | . Shaft | 81 | R244437 | 1 | . Gasket |
| 39 | R241681 | 1 | . Gear | 82 | R13803888 | 5 | . Screw |
| 40 | R13800713 | 3 | . Screw | 83 | R246856 | 1 | . Gasket |
| 41 | R234864 | 1 | . Shaft | 84 | R246855 | 1 | . Plate |



Transmission Assembly

Transmission Assembly

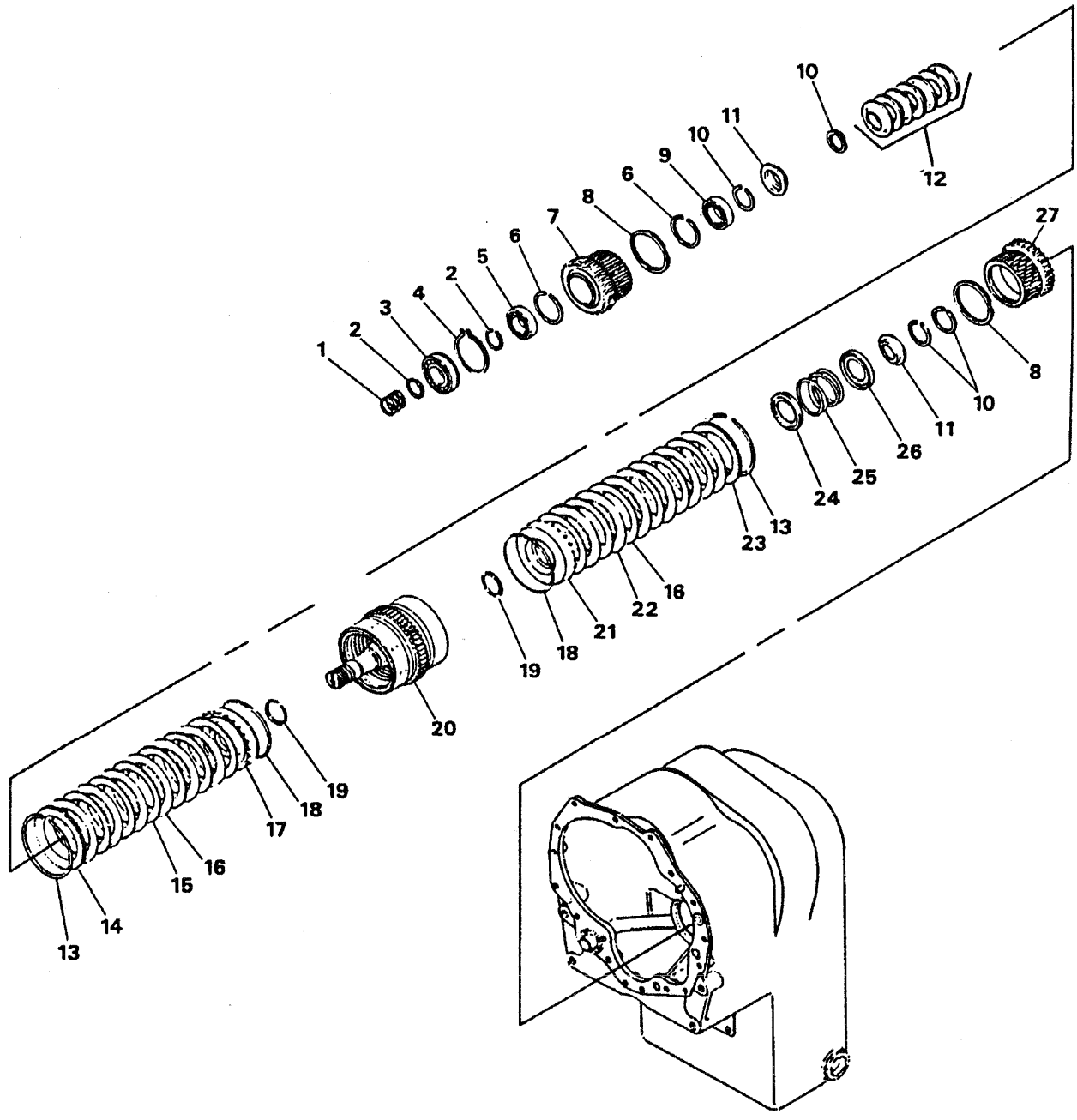
| Item | Part No | Qty | Description | Item | Part No | Qty | Description |
|--------|-----------|-----|------------------------|--------|---|-----|-------------------|
| 85 | R12001914 | 1 | . Ring Retainer | 113 | R13800256 | 4 | . Screw |
| 86 | R4095037 | 1 | . Snap Ring | 114 | R12577316 | 1 | . Flange |
| 87 | R743439 | 1 | . Bearing | 115 | R11993329 | 1 | . Washer |
| 88 | R231695 | 1 | . Idler Shaft | 116 | R11993328 | 1 | . Nut |
| 89 | R224065 | 1 | . Retaining Ring | 117 | R11993328 | 1 | . Nut |
| 90 | R233656 | 1 | . Gear | 118 | R11993329 | 1 | . Washer |
| 91 | R13801352 | 1 | . Ball | 119 *a | R13802815 | 1 | . O-Ring |
| 92 | R231646 | 1 | . Bearing | 120 | R12588316 | 1 | . Flange |
| 93 | R230952 | 1 | . Ring | 121 *a | R230954 | 1 | . Oil Seal |
| 94 | R245136 | 1 | . Shaft | 122 | R13800253 | 1 | . Screw |
| 95 | R223881 | 1 | . Retaining Ring | 123 | R13800831 | 4 | . Washer |
| 96 | R237972 | 1 | . Bearing | 124 | R231818 | 1 | . Bearing Cap |
| 97 * | ----- | 1 | . Brake Asm (4 - 1.14) | 125 | R231848 | A/R | . Shim - .004 in. |
| 98 | R223862 | 1 | . Retaining Ring | 125A | R231849 | A/R | . Shim - .007 in. |
| 99 *a | R206864 | 1 | . Seal Oil | 125B | R231850 | A/R | . Shim - .010 in. |
| 100 | R231553 | 1 | . Flange | 125C | R231851 | A/R | . Shim - .020 in. |
| 101 | R13802760 | 1 | . O-Ring | 126 *a | R13802783 | 1 | . O-Ring |
| 102 | R102745 | 1 | . Washer | 127 | R666697 | 1 | . Bearing Cup |
| 103 | R216058 | 1 | . Nut | 128 | R12973876 | 1 | . Cone |
| 104 | R233652 | 1 | . Gear | 129 | R231405 | 1 | . Spacer |
| 105 | R13973875 | 1 | . Cone | 130 | R231406 | 1 | . Output Shaft |
| 106 | R7018416 | 1 | . Cup | | | | |
| 107 *a | R13802786 | 1 | . O-Ring | *a | Seal and Gasket Kit P/N R801801 | | |
| 108 *a | R13802709 | 1 | . O-Ring | | | | |
| 109 *a | R225823 | 1 | . Seal | *b | Item 58 - Transmission Case Assembly (includes items 35, 45-47, 52, 54-56, 60) | | |
| 110 *a | R13802815 | 1 | . O-Ring | | | | |
| 111 | R231817 | 1 | . Cap | | | | |
| 112 | R13800831 | 4 | . Washer | *c | Item 9 - Cover (includes items 21 and 35) | | |



Transmission Clutch Group, Reverse and Third

Transmission Clutch Group, Reverse and Third

| Item | Part No | Qty | Description | Item | Part No | Qty | Description |
|----------------------------------|--------------|-----|------------------|------|---|-----|----------------------|
| Transmission Clutch Group | | | | | | | |
| 1 | R11992854 | 3 | . Ring | 19 | R237127 | 1 | . Drum Shaft Asm |
| 2 | *a R12001914 | 2 | . Retaining Ring | 20 | R12973493 | 1 | . Clutch, Piston Kit |
| 3 | R225603 | 1 | . Bearing | 20A | NSS | 1 | . Seal |
| 4 | R233488 | 1 | . Bearing | 21 | R233166 | 6 | . Disc, Inner |
| 5 | R223881 | 2 | . Retaining Ring | 22 | R224774 | 1 | . End Plate |
| 6 | R12607069 | 1 | . Gear | 23 | R232088 | 1 | . Retainer |
| 7 | R731160 | 2 | . Ring | 24 | R230822 | 1 | . Spring |
| 8 | R7019578 | 1 | . Bearing | 25 | R232089 | 1 | . Retainer |
| 9 | R11992915 | 3 | . Ring | 26 | R230860 | 1 | . Bearing |
| 10 | R239230 | 2 | . Retainer | 27 | R223874 | 2 | . Snap Ring |
| 11 | R12974772 | 7 | . Spring Kit | 28 | R232313 | 1 | . Gear |
| 12 | R215190 | 2 | . Ring | 29 | R230906 | 1 | . Spacer |
| 13 | R236810 | 1 | . End Plate | 30 | R233390 | 1 | . Bearing |
| 14 | R224772 | 18 | . Disc, Outter | 31 | R244587 | 1 | . Bearing |
| 15 | R236989 | 12 | . Disc, Inner | 32 | R230871 | 1 | . Gear |
| 16 | R12973494 | 1 | . Clutch, Piston | 33 | R224106 | 1 | . Retaining Ring |
| 16A | NSS | 1 | . Seal | | | | |
| 17 | R244585 | 2 | . Seal | | | | |
| 18 | *a R230857 | 2 | . Seal | | | | |
| | | | | *a | Included in Seal and Gasket Kit P/N R801801 | | |

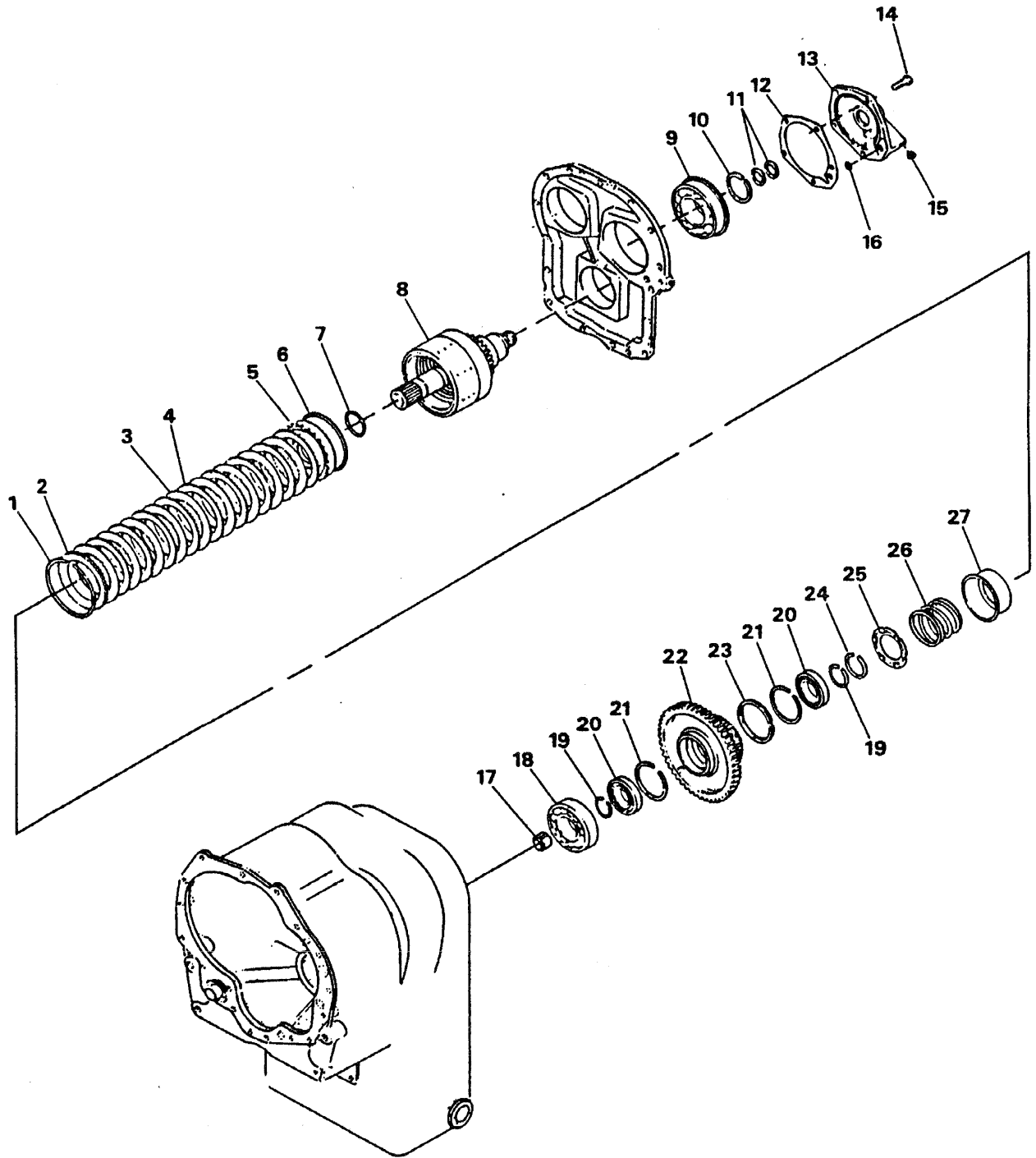


Transmission Clutch Group, Forward and Second

Transmission Clutch Group, Forward and Second

| Item | Part No | Qty | Description | Item | Part No | Qty | Description |
|----------------------------------|--------------|-----|------------------|------|------------|-----|----------------------|
| Transmission Clutch Group | | | | | | | |
| 1 | R11992854 | 3 | . Ring | 17 | R12973494 | 1 | . Clutch, Piston |
| 2 | *a R12001914 | 2 | . Retaining Ring | 17A | NSS | 1 | . Seal |
| 3 | R11992861 | 1 | . Bearing | 18 | R244585 | 2 | . Seal |
| 4 | R11992878 | 1 | . Retaining Ring | 19 | *a R230857 | 2 | . Seal |
| 5 | R233488 | 1 | . Bearing | 20 | R237122 | 1 | . Clutch Drum Asm |
| 6 | R223881 | 2 | . Retaining Ring | 21 | R12973493 | 1 | . Clutch, Piston Kit |
| 7 | R12607069 | 1 | . Gear | 21A | NSS | 1 | . Seal |
| 8 | R731160 | 2 | . Ring | 22 | R233166 | 6 | . Disc, Inner |
| 9 | R7019578 | 1 | . Bearing | 23 | R224774 | 1 | . End Plate |
| 10 | R11992915 | 3 | . Ring | 24 | R232088 | 1 | . Retainer |
| 11 | R239230 | 2 | . Retainer | 25 | R230822 | 1 | . Spring |
| 12 | R12974772 | 7 | . Spring Kit | 26 | R232089 | 1 | . Retainer |
| 13 | R215190 | 2 | . Ring | 27 | R239953 | 1 | . Gear |
| 14 | R236810 | 1 | . End Plate | | | | |
| 15 | R236989 | 12 | . Disc, Inner | | | | |
| 16 | R224772 | 18 | . Disc, Outer | | | | |

*a Included in Seal and Gasket Kit P/N R801801

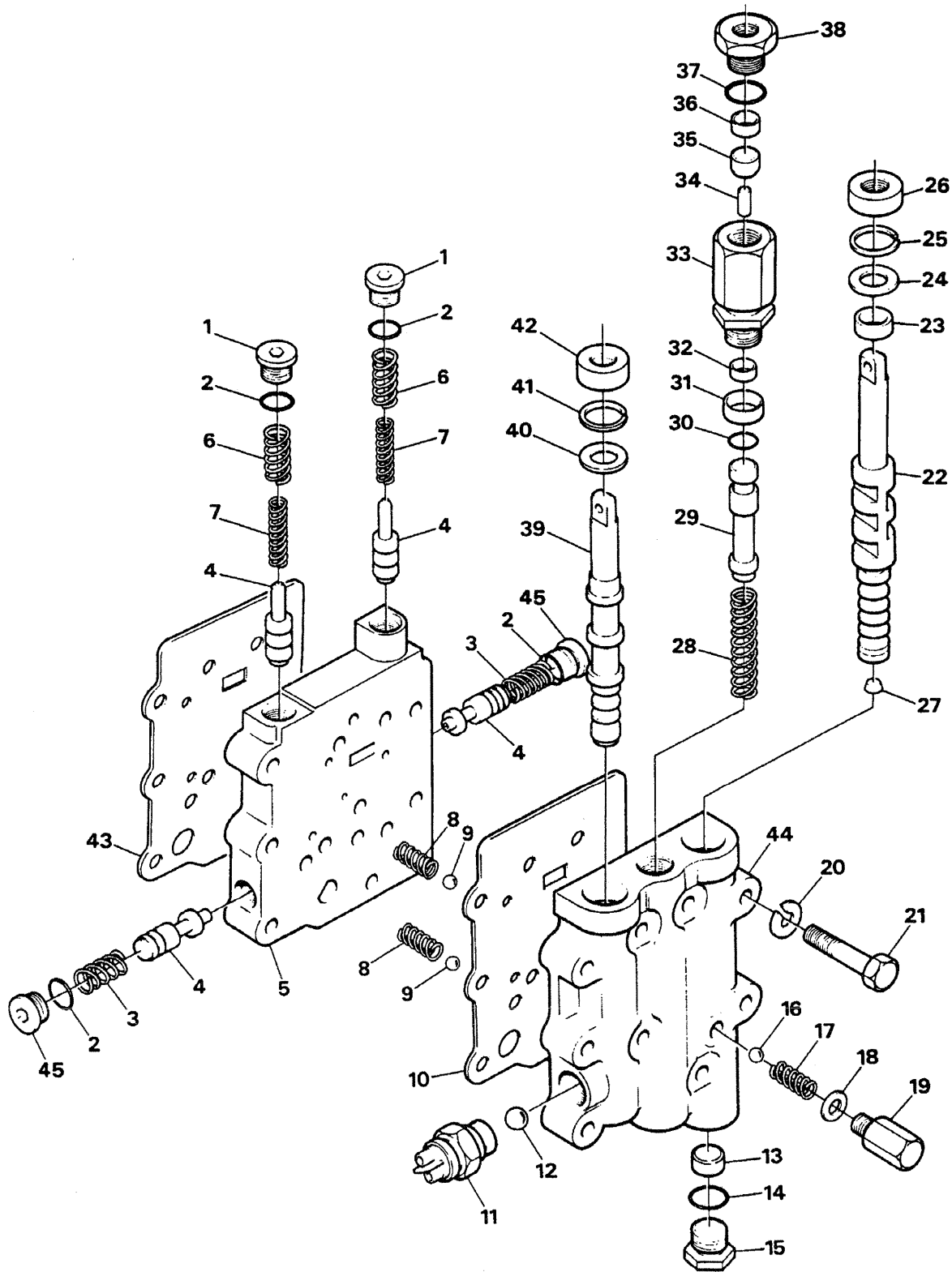


Transmission Clutch Assembly, Low

Transmission Clutch Assembly, Low

| Item | Part No | Qty | Description | Item | Part No | Qty | Description |
|--|------------|-----|------------------|------|--------------|-----|------------------|
| Transmission Clutch Assembly, Low | | | | | | | |
| 1 | R215190 | 1 | . Ring | 15 | R11992990 | 1 | . Plug |
| 2 | R224774 | 1 | . End Plate | 16 | *a R13802704 | 1 | . O-Ring |
| 3 | R230911 | 9 | . Disc, Inner | 17 | R230886 | 1 | . Bearing |
| 4 | R224772 | 9 | . Disc, Outter | 18 | R239742 | 1 | . Bearing |
| 5 | R12973493 | 1 | . Clutch Piston | 19 | R230888 | 2 | . Retaining Ring |
| 5A | NSS | 1 | . Seal | 20 | R7019578 | 2 | . Bearing |
| 6 | *a R244585 | 1 | . Ring | 21 | R11992874 | 2 | . Ring |
| 7 | *a R230857 | 1 | . Seal | 22 | R231229 | 1 | . Gear |
| 8 | R231194 | 1 | . Clutch Drum | 23 | R731160 | 1 | . Ring |
| 9 | R230968 | 1 | . Bearing | 24 | R11992915 | 1 | . Ring |
| 10 | R232081 | 1 | . Retaining Ring | 25 | R12973870 | 1 | . Kit, Retainer |
| 11 | *a R220079 | 2 | . Pistion Ring | 26 | R230822 | 1 | . Spring |
| 12 | *a R231193 | 1 | . Gasket | 27 | R241917 | 1 | . Retainer |
| 13 | R231176 | 1 | . Bearing Cap | | | | |
| 14 | R13800882 | 5 | . Screw | | | | |

*a Included in Seal and Gasket Kit P/N R801801

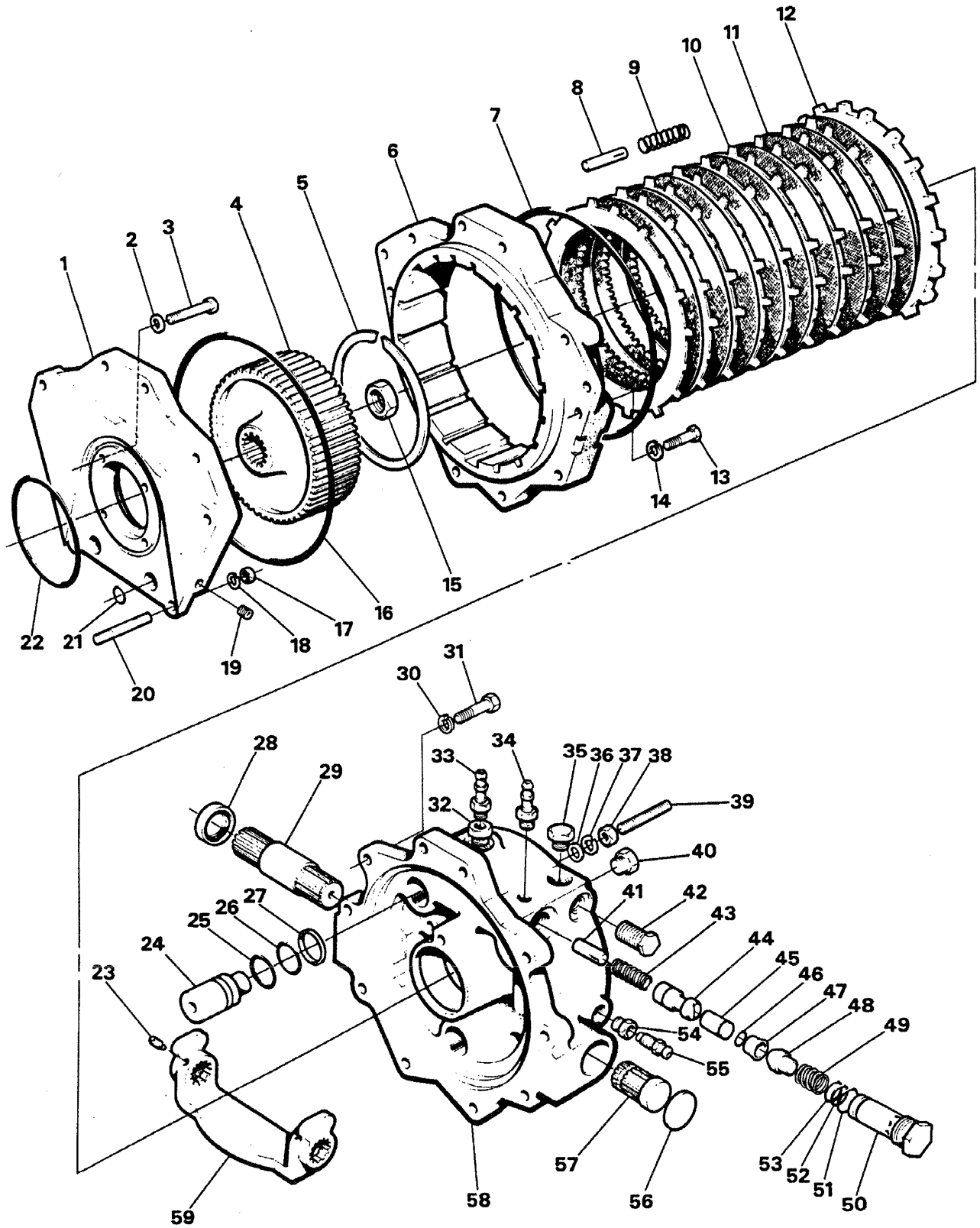


Transmission Control Valve

Transmission Control Valve

| Item | Part No | Qty | Description | Item | Part No | Qty | Description |
|------|----------------|-----|-----------------------------------|------|--------------|-----|---------------------|
| | R241636 | | Transmission Control Valve | | | | |
| | R215196 | 1 | . Valve Assembly | 25 | R12969532 | 1 | . Snap Ring |
| 1 | R13803423 | 4 | .. Plug | 26 | *a R234651 | 1 | . Oil Seal |
| 2 | R13804268 | 4 | .. O-Ring | 27 | R239243 | 1 | . Plug |
| 3 | R11993045 | 2 | .. Spring | 28 | R231164 | 1 | . Spring |
| 4 | NSS | 4 | .. Spool | 29 | R231155 | 1 | . Spool |
| 5 | NSS | 1 | .. Body | | R215196 | 1 | . Cylinder Assembly |
| 6 | R241077 | 2 | .. Spring | 30 | *a R13802707 | 1 | .. O-Ring |
| 7 | R241669 | 2 | .. Spring | 31 | R228931 | 1 | .. Seal |
| 8 | R202200 | 2 | . Spring | 32 | *a R237698 | 1 | .. Seal |
| 9 | R13801349 | 2 | . Ball | 33 | NSS | 1 | .. Housing |
| 10 | *a R234663 | 1 | . Gasket | 34 | R237275 | 1 | .. Pin |
| 11 | R242532 | 1 | . Switch | 35 | R215199 | 1 | .. Spacer |
| 12 | R13801349 | 1 | . Ball | 36 | R208820 | 1 | .. Piston Cup |
| 13 | R231839 | 1 | . Spacer | 37 | *a R13802706 | 1 | .. O-Ring |
| 14 | R13804268 | 1 | . O-Ring | 38 | R215200 | 1 | .. Plug |
| 15 | R13802607 | 1 | . Plug | 39 | R231158 | 1 | . Spool |
| 16 | R13801349 | 1 | . Ball | 40 | R217657 | 1 | . Washer |
| 17 | R202200 | 1 | . Spring | 41 | R12969532 | 1 | . Snap Ring |
| 18 | R235061 | 1 | . Washer | 42 | *a R234651 | 1 | . Oil Seal |
| 19 | R235058 | 1 | . Plug | 43 | R237086 | 1 | . Gasket |
| 20 | R13800828 | 9 | . Washer | 44 | NSS | 1 | . Housing |
| 21 | R13800203 | 9 | . Screw | 45 | R13803423 | 2 | . Plug |
| 22 | R241631 | 1 | . Spool | | | | |
| 23 | R231840 | 1 | . Spacer | | | | |
| 24 | R217657 | 1 | . Washer | | | | |

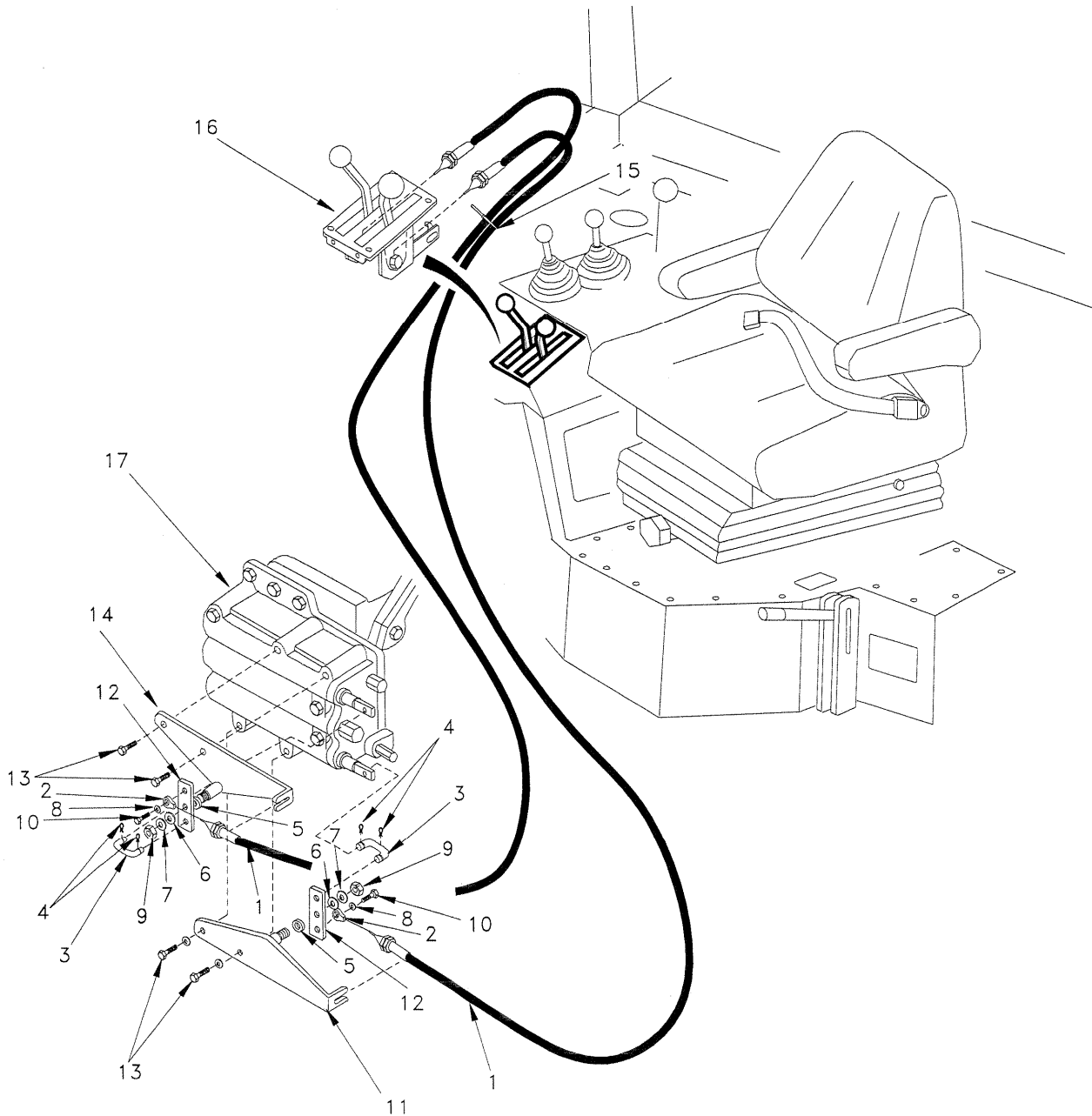
*a Included in Seal and Gasket Kit P/N R801801



Transmission Hydraulic Brake

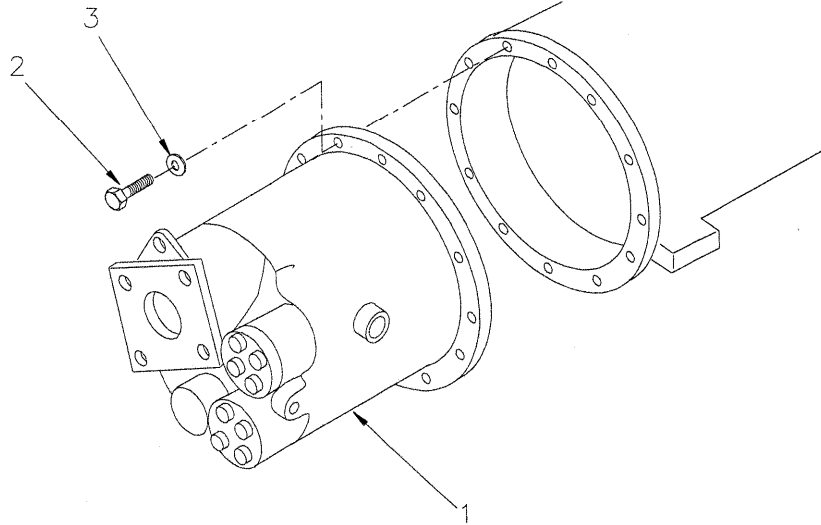
Transmission Hydraulic Brake

| Item | Part No | Qty | Description | Item | Part No | Qty | Description |
|--------------------------------------|--------------|-----|--------------|------|----------------------|-----|----------------|
| Transmission, Hydraulic Brake | | | | | | | |
| 1 | R233888 | 1 | . Adapter | 32 | *a R238425 | 1 | . Seat |
| 2 | R4094988 | 4 | . Washer | 33 | *a R641297 | 1 | . Bleed Screw |
| 3 | R233534 | 4 | . Screw | 34 | *a R1992651 | 1 | . Bleed Screw |
| 4 | R237749 | 1 | . Hub | 35 | R13803421 | 1 | . Plug |
| 5 | R4095201 | 1 | . Ring | 36 | R619023 | 1 | . Washer |
| 6 | R231693 | 1 | . Housing | 37 | R231709 | 1 | . Washer |
| 7 | R13803670 | 1 | . O-Ring | 38 | R13803675 | 1 | . Nut |
| 8 | R231055 | 6 | . Pin | 39 | R231705 | 1 | . Screw |
| 9 | R234834 | 6 | . Spring | 40 | R13802604 | 1 | . Plug |
| 10 | R4095205 | 8 | . Disc | 41 | *a R238270 | 1 | . Stop |
| 11 | R4095206 | 8 | . Disc | 42 | R13803421 | 1 | . Plug |
| 12 | R231699 | 1 | . Plate | 43 | *a R231034 | 1 | . Spring |
| 13 | R13800215 | 2 | . Screw | 44 | *a R240978 | 1 | . Spool |
| 14 | R13806996 | 2 | . Lockwasher | 45 | *a R236893 | 1 | . Piston |
| 15 | R231639 | 1 | . Nut | 46 | *a R13804001 | 1 | . O-Ring |
| 16 | E13803670 | 1 | . O-Ring | 47 | *a R227881 | 1 | . Cup |
| 17 | R13806803 | 2 | . Nut | 48 | *a R240979 | 1 | . Expander |
| 18 | R13800832 | 2 | . Washer | 49 | *a R4200080 | 1 | . Spring |
| 19 | R13810545 | 1 | . Plug | 50 | *a R2399493 | 1 | . Housing |
| 20 | R233895 | 2 | . Stud | 51 | *a R13803482 | 1 | . O-Ring |
| 21 | R13803638 | 2 | . O-Ring | 52 | *a R13804003 | 1 | . O-Ring |
| 22 | R13803660 | 3 | . O-Ring | 53 | *a R237331 | 1 | . Back-up Ring |
| 23 | R201607 | 2 | . Screw | 54 | *a R238426 | 1 | . Seat |
| 24 | *a R236892 | 3 | . Piston | 55 | *a R641297 | 1 | . Bleed Screw |
| 25 | *a R13804001 | 3 | . O-Ring | 56 | R231751 | 1 | . Plug |
| 26 | *a R13804001 | 3 | . O-Ring | 57 | R231703 | 1 | . Shaft |
| 27 | *a R231701 | 3 | . Ring | 58 | *a NSS | 1 | . Housing |
| 28 | R231708 | 1 | . Seal | 59 | R235435 | 1 | . Yoke |
| 29 | R231704 | 1 | . Shaft | | | | |
| 30 | R13806996 | 10 | . Lockwasher | *a | Seal Kit P/N R801805 | | |
| 31 | R13800224 | 10 | . Screw | | | | |



Shift Control

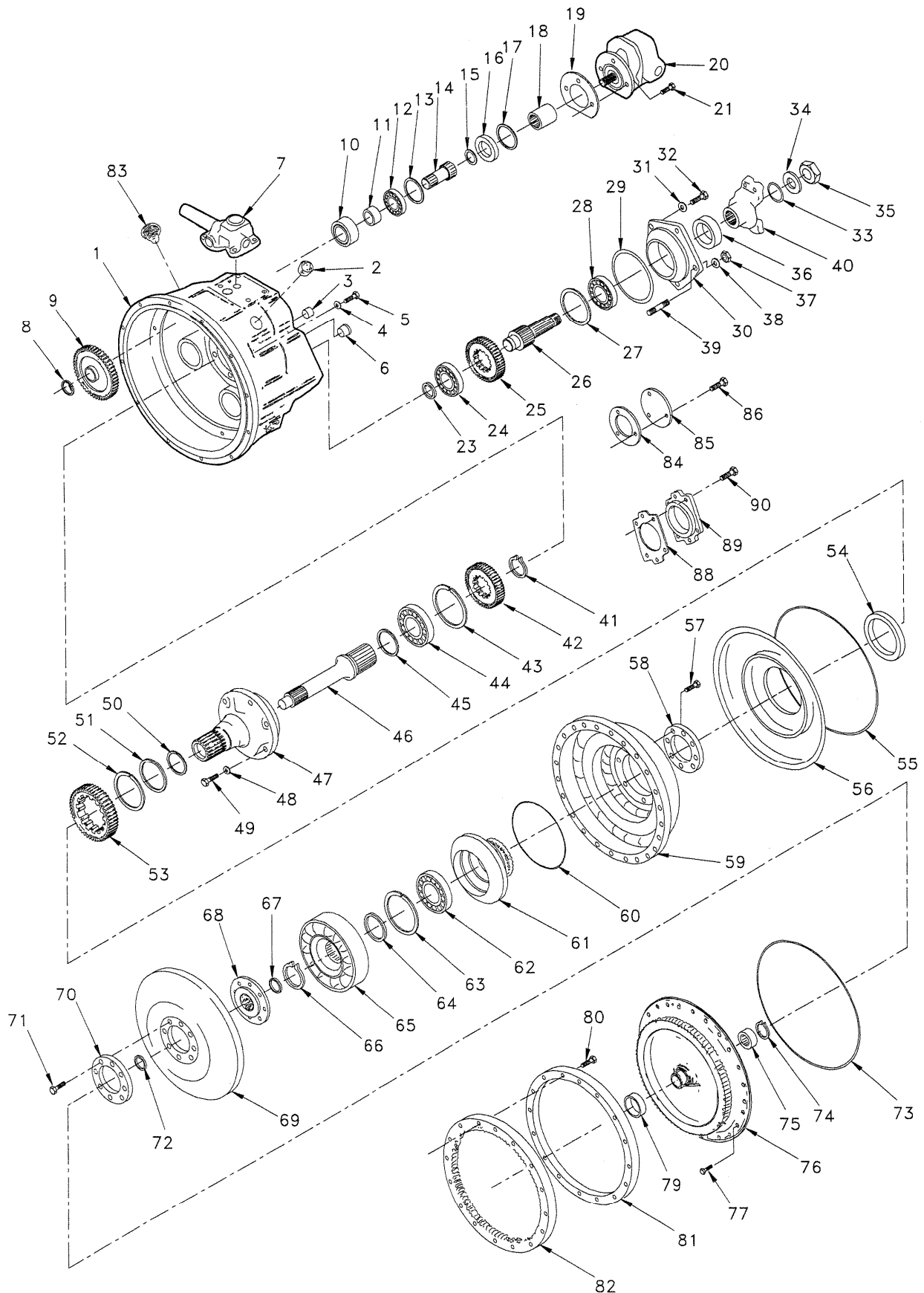
| Item | Part No | Qty | Description | Item | Part No | Qty | Description |
|------|---------------|-----|----------------------|------|-----------|-----|-----------------------------------|
| | R11569 | | Shift Control | | | | |
| 1 | R10675 | 2 | . Cable | 10 | R13810814 | 2 | . Capscrew |
| 2 | R10676 | 2 | . Rod End | 11 | R10636 | 1 | . Cable Mount |
| 3 | R1935429 | 2 | . Link | 12 | R10633 | 2 | . Plate |
| 4 | R13800351 | 4 | . Cotter Pin | 13 | R13811047 | 4 | . Capscrew |
| 5 | R1610636 | 2 | . Bearing | 14 | R10634 | 1 | . Cable Mount |
| 6 | R13811433 | 2 | . Washer | 15 | R1539058 | 4 | . Tie Strap |
| 7 | R13811431 | 2 | . Washer | 16 | * R11257 | 1 | . Transmission Shifter (8 - 2.8) |
| 8 | R13811429 | 2 | . Washer | 17 | * R241636 | 1 | . Trans. Control Valve (4 - 1.13) |
| 9 | R13811191 | 2 | . Nut | | | | |



Converter Installation

| Item | Part No | Qty | Description | Item | Part No | Qty | Description |
|-------------|------------|-----|------------------------|-------------------------------|----------------------------|-----|-------------|
| R016 | | | | Converter Installation | | | |
| 1 | *a R291474 | 1 | . Converter (4 - 1.18) | *a | Last Used on Unit S/N 268 | | |
| | *b R11883 | 1 | . Converter (4 - 1.20) | *b | First Used on Unit S/N 269 | | |
| 2 | R13811210 | 12 | . Capscrew | | | | |
| 3 | R13811431 | 12 | . Washer | | | | |

Last used on Unit S/N 268



Converter Assembly

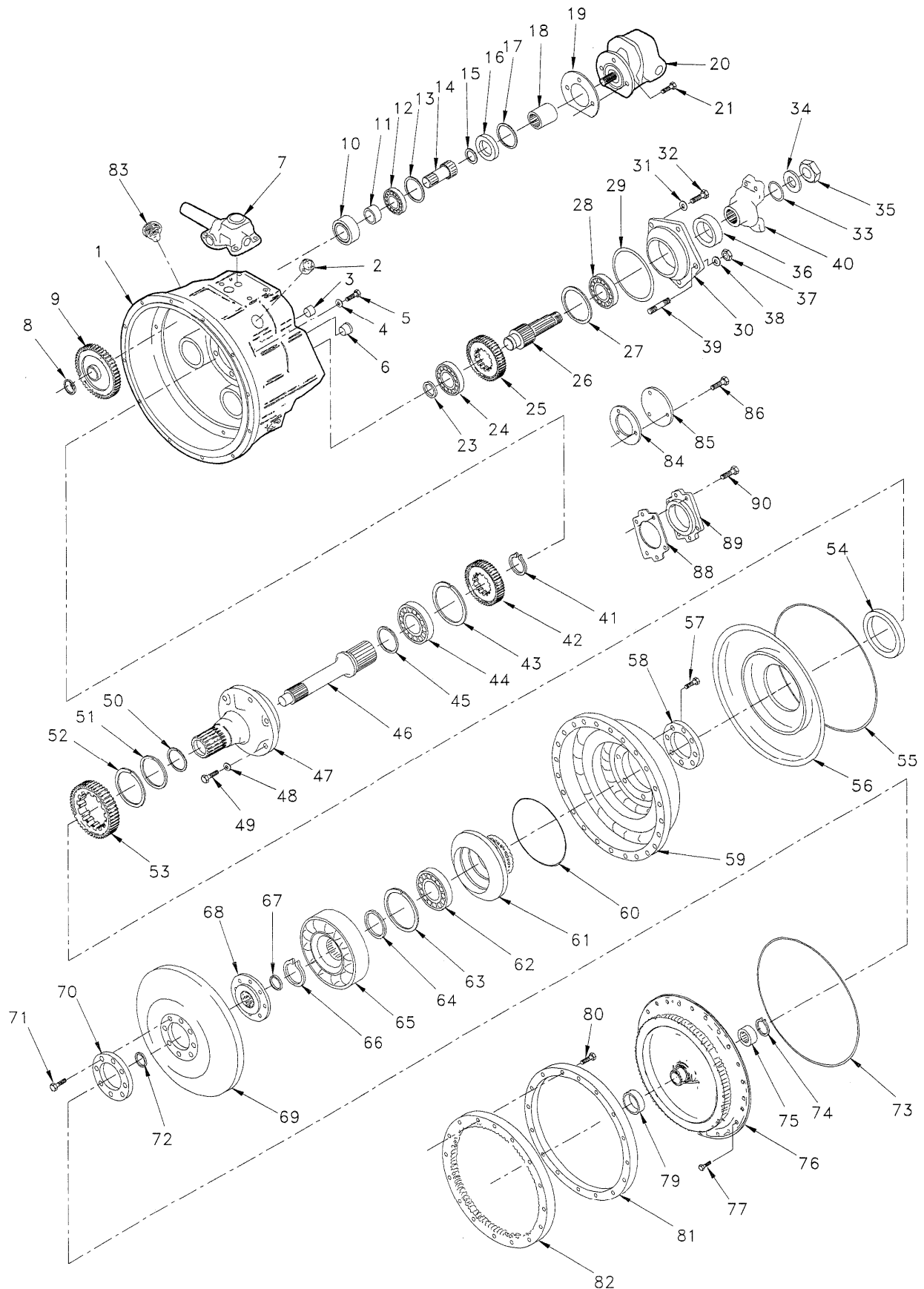
Converter Assembly

| Item | Part No | Qty | Description | Item | Part No | Qty | Description |
|------|-------------------|-----|------------------------------|------|------------|-----|---------------------------|
| | *b R291474 | | Converter | | | | |
| 1 | R4480360 | 1 | . Converter Housing | 48 | R13801012 | 6 | . Lockwasher |
| 2 | R13801765 | 4 | . Plug | 49 | R13800234 | 6 | . Screw |
| 3 | R13801763 | 1 | . Plug | 50 | R214953 | 1 | . Spring |
| 4 | R13800828 | 3 | . Lockwasher | 51 | R237242 | 1 | . Piston Ring |
| 5 | R13800194 | 3 | . Screw | 52 | R224009 | 1 | . Snap Ring |
| 6 | R13810529 | 1 | . Plug | 53 | R214951 | 1 | . Gear |
| 7 | * R214943 | 1 | . Regulator Valve (4 - 1.22) | 54 | R237025 | 1 | . Oil Seal |
| 8 | R711298 | 2 | . Snap Ring | 55 | R13803671 | 1 | . O-Ring |
| 9 | R214931 | 2 | . Gear | 56 | R802003 | 1 | . Oil Baffle |
| 10 | R225930 | 2 | . Bearing | 57 | R237233 | 12 | . Screw |
| 11 | R216914 | 2 | . Spacer | 58 | R237234 | 1 | . Backing Ring |
| 12 | R214956 | 2 | . Bearing | 59 | R237230 | 1 | . Impeller |
| 13 | R214954 | 2 | . Snap Ring | 60 | R13803662 | 1 | . O-Ring |
| 14 | R237548 | 2 | . Drive Shaft | 61 | R237232 | 1 | . Hub |
| 15 | R224039 | 2 | . Snap Ring | 62 | R238743 | 1 | . Bearing |
| 16 | R214929 | 2 | . Washer | 63 | R238705 | 1 | . Snap Ring |
| 17 | R247487 | 2 | . Snap Ring | 64 | R229566 | 1 | . Spacer |
| 18 | R214962 | 1 | . Sleeve | 65 | R237572 | 1 | . Reaction Member |
| 19 | R235961 | 1 | . Gasket | 66 | R243262 | 1 | . Snap Ring |
| 20 | * R238135 | 1 | . Charging Pump (4 - 1.23) | 67 | R659065 | 1 | . Retaining Ring |
| 21 | R233128 | 3 | . Screw and Lockwasher | 68 | R214924 | 1 | . Turbine Hub |
| 23 | R4480364 | 1 | . Snap Ring | 69 | R240467 | 1 | . Turbine |
| 24 | R4480365 | 1 | . Bearing | 70 | R242045 | 1 | . Backing Ring |
| 25 | R214935 | 1 | . Gear | 71 | R242046 | 8 | . Screw |
| 26 | R214937 | 1 | . Output Shaft | 72 | R659065 | 1 | . Retaining Ring |
| 27 | R223901 | 1 | . Snap Ring | 73 | R11992882 | 1 | . O-Ring |
| 28 | R247348 | 1 | . Bearing | 74 | R9411617 | 1 | . Snap Ring |
| 29 | R1380657 | 1 | . O-Ring | 75 | R214988 | 1 | . Bearing |
| 30 | R235091 | 1 | . Retainer | 76 | R801524 | 1 | . Impeller Cover |
| 31 | R13806996 | 3 | . Lockwasher | 77 | R233128 | 24 | . Screw and Lockwasher |
| 32 | R13800215 | 3 | . Screw | 79 | R222006 | 1 | . Sleeve |
| 33 | R13803639 | 1 | . O-Ring | 80 | *a R243970 | 32 | . Screw |
| 34 | R102745 | 1 | . Washer | 81 | R236937 | 1 | . Back Plate |
| 35 | R216058 | 1 | . Nut | 82 | *a R11025 | 1 | . Ring Gear |
| 36 | R206864 | 1 | . Oil Seal | 83 | R233598 | 1 | . Breather Asm |
| 37 | R13809566 | 2 | . Nut | | | | Pump Cover Group |
| 38 | R13806996 | 2 | . Lockwasher | 84 | R223125 | 1 | . Gasket |
| 39 | R214730 | 2 | . Stud | 85 | R223124 | 1 | . Cover |
| 40 | R214987 | 1 | . Flange | 86 | R233128 | 3 | . Screw and Lockwasher |
| 41 | R224026 | 1 | . Snap Ring | | | | Pump Adapter Group |
| 42 | R214938 | 1 | . Gear | 88 | R235961 | 1 | . Gasket |
| 43 | R214953 | 1 | . Snap Ring | 89 | R216388 | 1 | . Adapter, Pump |
| 44 | R239742 | 1 | . Bearing | 90 | R4480407 | 6 | . Screw |
| 45 | R222079 | 1 | . Piston Ring | | | | |
| 46 | R4480028 | 1 | . Shaft | | | | |
| 47 | R237405 | 1 | . Sleeve Asm | | | | |

*a Included in Ring Gear Kit P/N R13462

*b Last used on Unit S/N 268

First used on Unit S/N 269



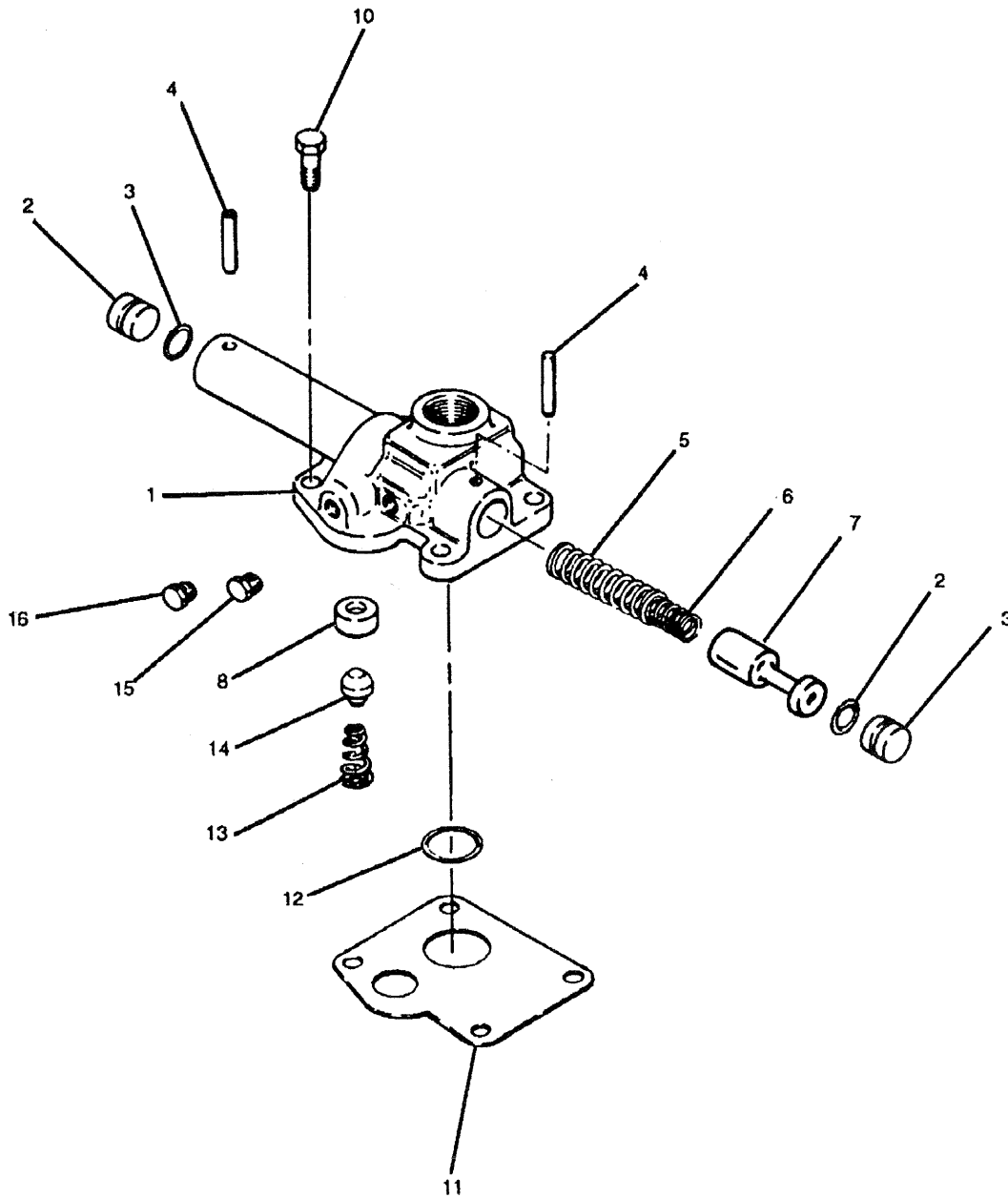
Converter Assembly

Converter Assembly

| Item | Part No | Qty | Description | Item | Part No | Qty | Description |
|------|------------------|-----|------------------------------|------|------------|-----|---------------------------|
| | *b R11883 | | Converter | | | | |
| 1 | R4480360 | 1 | . Converter Housing | 48 | R13801012 | 6 | . Lockwasher |
| 2 | R13801765 | 4 | . Plug | 49 | R13800234 | 6 | . Screw |
| 3 | R13801763 | 1 | . Plug | 50 | R214953 | 1 | . Spring |
| 4 | R13800828 | 3 | . Lockwasher | 51 | R237242 | 1 | . Piston Ring |
| 5 | R13800194 | 3 | . Screw | 52 | R224009 | 1 | . Snap Ring |
| 6 | R13810529 | 1 | . Plug | 53 | R231904 | 1 | . Gear |
| 7 | * R214943 | 1 | . Regulator Valve (4 - 1.22) | 54 | R237025 | 1 | . Oil Seal |
| 8 | R711298 | 2 | . Snap Ring | 55 | R13803671 | 1 | . O-Ring |
| 9 | R231905 | 2 | . Gear | 56 | R802003 | 1 | . Oil Baffle |
| 10 | R225930 | 2 | . Bearing | 57 | R237233 | 12 | . Screw |
| 11 | R216914 | 2 | . Spacer | 58 | R237234 | 1 | . Backing Ring |
| 12 | R214956 | 2 | . Bearing | 59 | R237230 | 1 | . Impeller |
| 13 | R214954 | 2 | . Snap Ring | 60 | R13803662 | 1 | . O-Ring |
| 14 | R237548 | 2 | . Drive Shaft | 61 | R237232 | 1 | . Hub |
| 15 | R224039 | 2 | . Snap Ring | 62 | R238743 | 1 | . Bearing |
| 16 | R214929 | 2 | . Washer | 63 | R238705 | 1 | . Snap Ring |
| 17 | R247487 | 2 | . Snap Ring | 64 | R229566 | 1 | . Spacer |
| 18 | R214962 | 1 | . Sleeve | 65 | R237572 | 1 | . Reaction Member |
| 19 | R235961 | 1 | . Gasket | 66 | R243262 | 1 | . Snap Ring |
| 20 | * R238135 | 1 | . Charging Pump (4 - 1.23) | 67 | R659065 | 1 | . Retaining Ring |
| 21 | R233128 | 3 | . Screw and Lockwasher | 68 | R214924 | 1 | . Turbine Hub |
| 23 | R4480364 | 1 | . Snap Ring | 69 | R240467 | 1 | . Turbine |
| 24 | R4480365 | 1 | . Bearing | 70 | R242045 | 1 | . Backing Ring |
| 25 | R214935 | 1 | . Gear | 71 | R242046 | 8 | . Screw |
| 26 | R214937 | 1 | . Output Shaft | 72 | R659065 | 1 | . Retaining Ring |
| 27 | R223901 | 1 | . Snap Ring | 73 | R11992882 | 1 | . O-Ring |
| 28 | R247348 | 1 | . Bearing | 74 | R9411617 | 1 | . Snap Ring |
| 29 | R1380657 | 1 | . O-Ring | 75 | R214988 | 1 | . Bearing |
| 30 | R235091 | 1 | . Retainer | 76 | R801524 | 1 | . Impeller Cover |
| 31 | R13806996 | 3 | . Lockwasher | 77 | R233128 | 24 | . Screw and Lockwasher |
| 32 | R13800215 | 3 | . Screw | 79 | R222006 | 1 | . Sleeve |
| 33 | R13803639 | 1 | . O-Ring | 80 | *a R243970 | 32 | . Screw |
| 34 | R102745 | 1 | . Washer | 81 | R236937 | 1 | . Back Plate |
| 35 | R216058 | 1 | . Nut | 82 | *a R11025 | 1 | . Ring Gear |
| 36 | R206864 | 1 | . Oil Seal | 83 | R233598 | 1 | . Breather Asm |
| 37 | R13809566 | 2 | . Nut | | | | Pump Cover Group |
| 38 | R13806996 | 2 | . Lockwasher | 84 | R223125 | 1 | . Gasket |
| 39 | R214730 | 2 | . Stud | 85 | R223124 | 1 | . Cover |
| 40 | R214987 | 1 | . Flange | 86 | R233128 | 3 | . Screw and Lockwasher |
| 41 | R224026 | 1 | . Snap Ring | | | | Pump Adapter Group |
| 42 | R214938 | 1 | . Gear | 88 | R235961 | 1 | . Gasket |
| 43 | R214953 | 1 | . Snap Ring | 89 | R216388 | 1 | . Adapter, Pump |
| 44 | R239742 | 1 | . Bearing | 90 | R4480407 | 6 | . Screw |
| 45 | R222079 | 1 | . Piston Ring | | | | |
| 46 | R4480028 | 1 | . Shaft | | | | |
| 47 | R237405 | 1 | . Sleeve Asm | | | | |

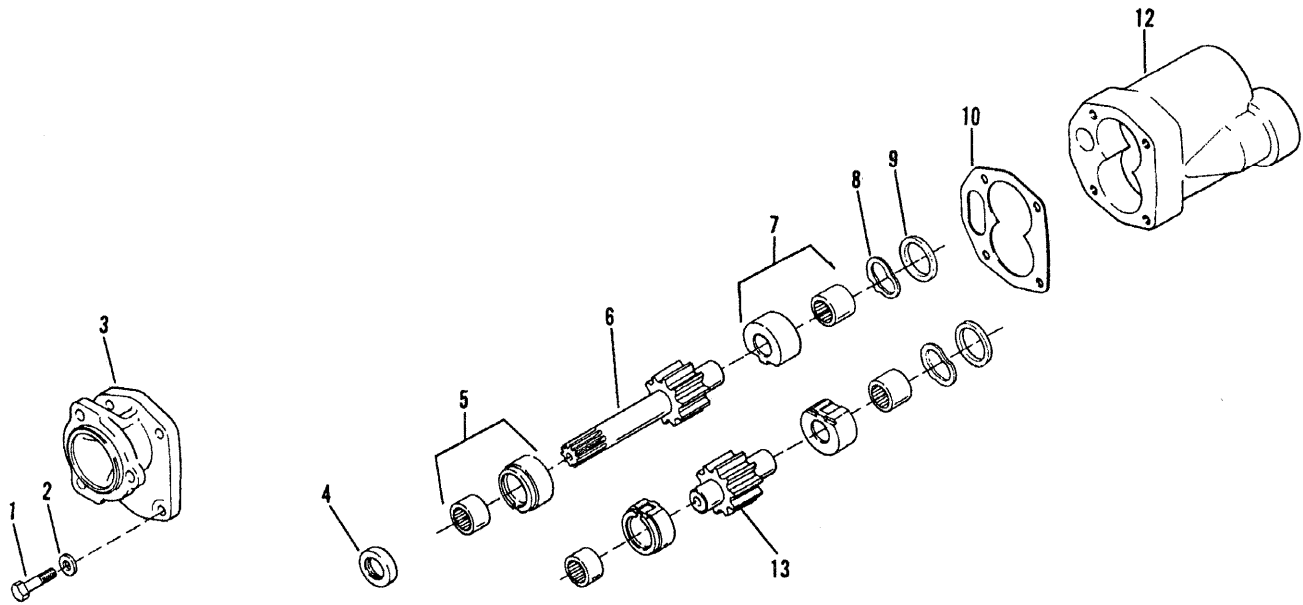
*a Included in Ring Gear Kit P/N R13462

*b First used on Unit S/N 269



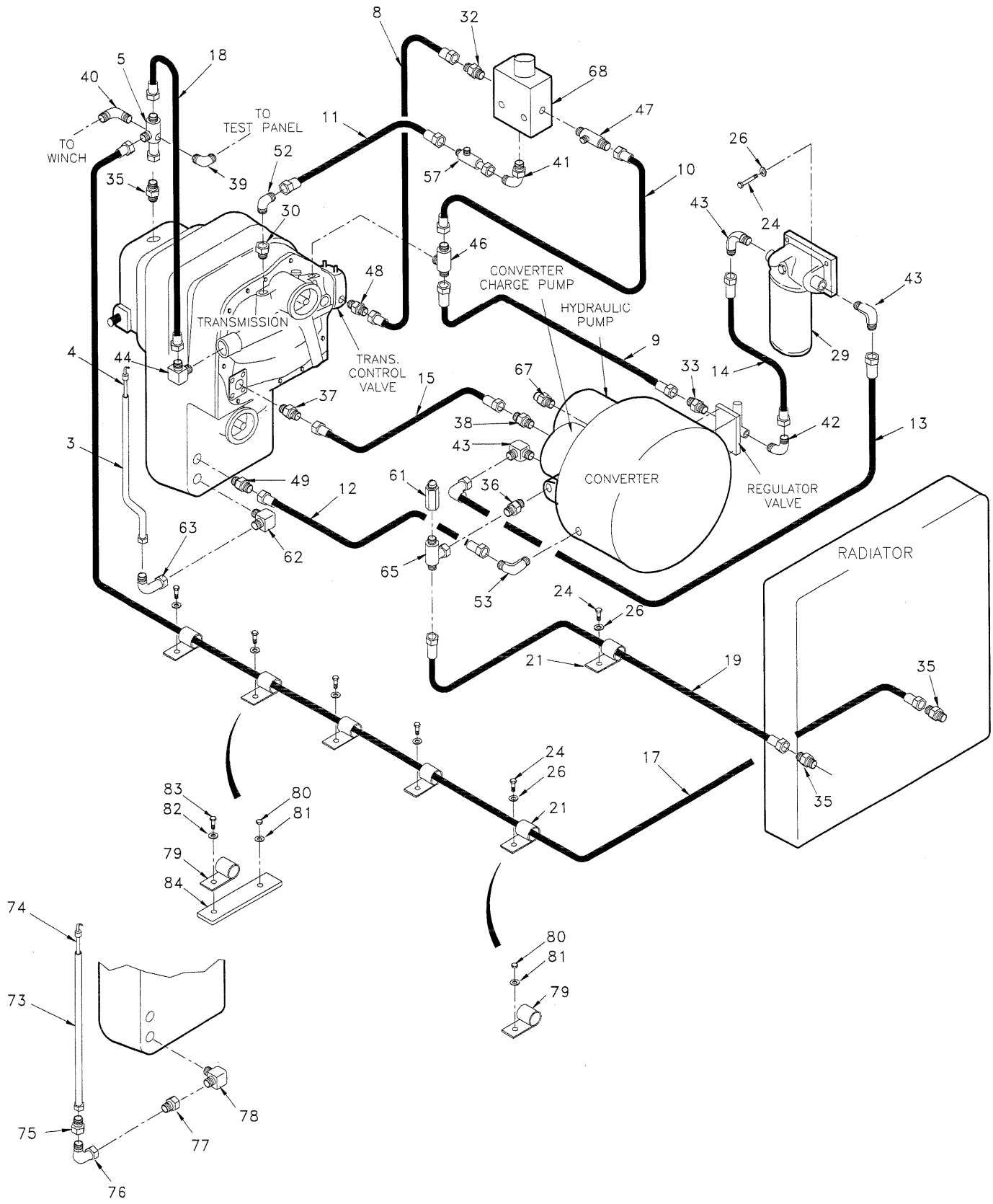
Pressure Regulating Group

| Item | Part No | Qty | Description | Item | Part No | Qty | Description |
|------|----------------|-----|----------------------------------|------|-----------|-----|---------------------|
| | R214943 | | Pressure Regulating Group | | | | |
| 1 | R214943 | 1 | . Regulator Valve Asm. | 10 | R233128 | 1 | . Screw, Lockwasher |
| 2 | R220983 | 2 | . . Valve Stop | 11 | R214949 | 1 | . Gasket |
| 3 | R4480275 | 2 | . . O-Ring | 12 | R13803636 | 1 | . O-Ring |
| 4 | R660178 | 2 | . . Roll Pin | 13 | R222312 | 1 | . Spring |
| 5 | R224369 | 1 | . . Valve Spring - Outer | 14 | R222318 | 1 | . Plunger |
| 6 | R224368 | 1 | . . Valve Spring - Inner | 15 | R13810529 | 1 | . Plug |
| 7 | R224466 | 1 | . . Valve Piston | 16 | R13810529 | 1 | . Plug |
| 8 | R214946 | 1 | . . Safty Valve Seat | | | | |



Charging Pump

| Item | Part No | Qty | Description | Item | Part No | Qty | Description |
|------|----------------|-----|--------------------------------|------|---------|-----|--------------------------------|
| | R238135 | | Charging Pump | | | | |
| 1 | R4480388 | 4 | . Screw | 7 | R233166 | 2 | . Thrust Plate and Bearing Asm |
| 2 | R13800828 | 4 | . Lockwasher | 8 | R234640 | 2 | . Wave Spring |
| 3 | NSS | 1 | . Plate | 9 | R234643 | 2 | . Seal |
| 4 | R456294 | 1 | . Oil Seal | 10 | R238116 | 1 | . Gasket |
| 5 | R234830 | 2 | . Thrust Plate and Bearing Asm | 12 | NSS | 1 | . Pump Body |
| 6 | R238136 | 1 | . Drive Shaft Asm | 13 | R238134 | 1 | . Shaft Asm |

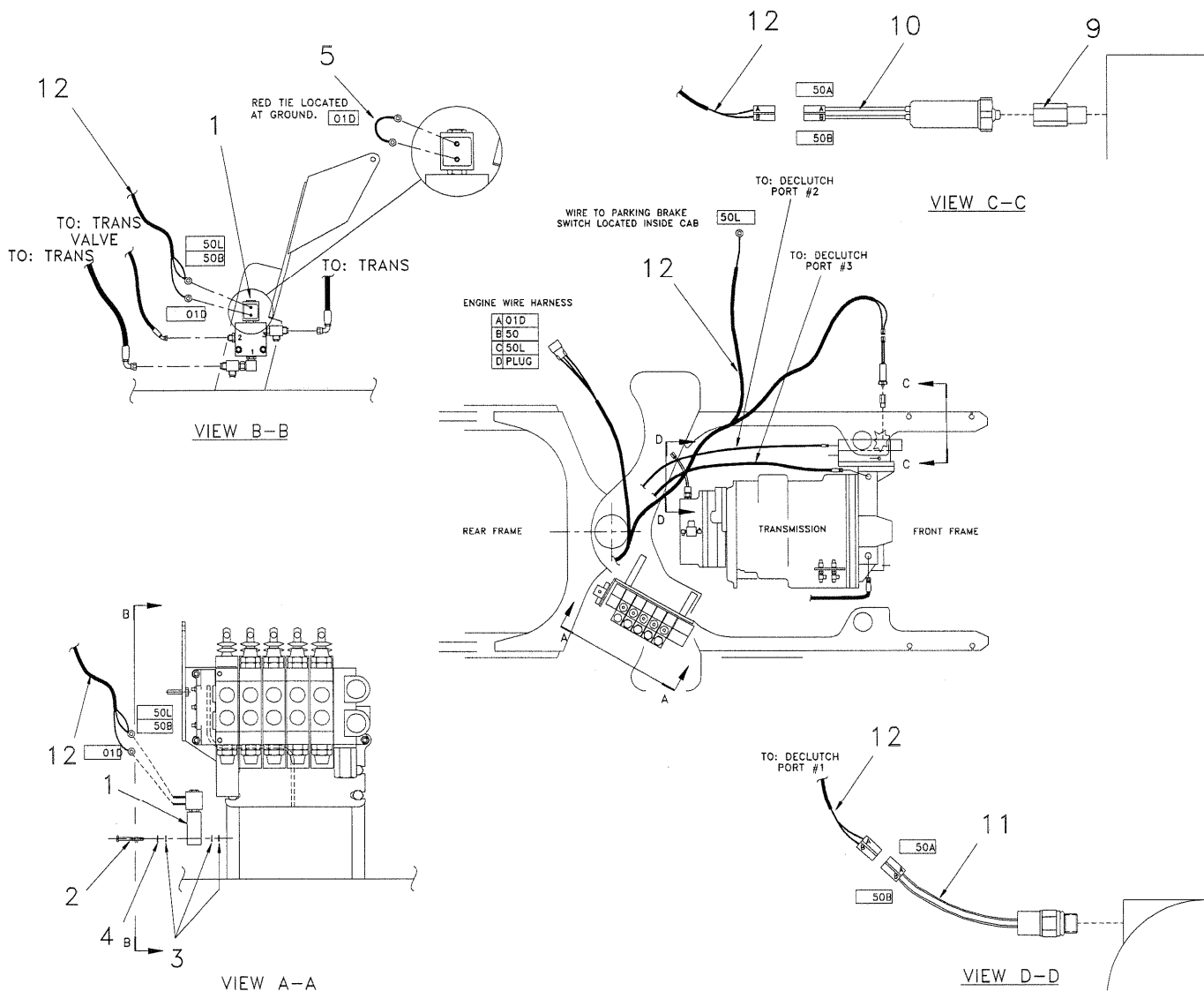


DIPSTICK INSTALLATION
LAST USED ON G67 No. 258

Transmission/Converter Plumbing

Transmission/Converter Plumbing

| Item | Part No | Qty | Description | Item | Part No | Qty | Description |
|------|-------------|-----|--|------|--|-----|--------------------------|
| | R004 | | Transmission/Converter Plumbing | | | | |
| 3 | R11137 | 1 | . Dipstick Tube Asm | 42 | R833270 | 1 | . Fitting |
| 4 | R10680 | 1 | . Dipstick | 43 | R833272 | 3 | . Fitting |
| 5 | R10711 | 1 | . Rework, Tee Fitting | 44 | R833275 | 1 | . Fitting |
| 6 | R10813 | 1 | . Elbow Rework | 45 | R833281 | 1 | . Fitting |
| 8 | R12012 | 1 | . Hose Asm | 46 | R833353 | 1 | . Fitting |
| 9 | R12100 | 1 | . Hose Asm | 47 | R833403 | 1 | . Fitting |
| 10 | R12103 | 1 | . Hose Asm | 48 | R833450 | 4 | . Fitting |
| 11 | R12108 | 1 | . Hose Asm | 49 | R833467 | 1 | . Fitting |
| 12 | R12300 | 1 | . Hose Asm | 50 | R833500 | 1 | . Fitting |
| 13 | R12301 | 1 | . Hose Asm | 51 | R833550 | 1 | . Fitting |
| 14 | R12302 | 1 | . Hose Asm | 52 | R833558 | 1 | . Fitting |
| 15 | R12400 | 1 | . Hose Asm | 53 | R833564 | 1 | . Fitting |
| 17 | R12600 | 1 | . Hose Asm | 57 | R834052 | 1 | . Fitting |
| 18 | R12601 | 1 | . Hose Asm | 61 | R4510230 | 1 | . Sender, Converter Temp |
| 19 | R12650 | 1 | . Hose Asm | 62 | R11131 | 1 | . Fitting |
| 21 | R13810033 | 6 | . Clip, Insul | 63 | R13801461 | 1 | . Fitting |
| 22 | R13810858 | 6 | . Capscrew | 64 | R12016 | 1 | . Hose Asm |
| 23 | R13810997 | 2 | . Capscrew | 65 | R834005 | 1 | . Fitting |
| 24 | R13811030 | 10 | . Capscrew | 67 | R4510231 | 1 | . Switch, Converter Temp |
| 25 | R13811443 | 2 | . Washer | 68 | * R12574707 | 1 | . Declutch (4 - 1.28) |
| 26 | R13811447 | 10 | . Washer | 73 | *a R10679 | 1 | . Dipstick Tube Asm |
| 28 | R1517253 | 1 | . Elbow | 74 | *a R10680 | 1 | . Dipstick |
| 29 | R1930615 | 1 | . Filter | 75 | *a R833002 | 1 | . Fitting |
| | R1992156 | 1 | . Element, Filter | 76 | *a R833802 | 1 | . Fitting |
| 30 | R290416 | 1 | . Fitting | 77 | *a R833707 | 1 | . Fitting |
| 32 | R833103 | 1 | . Fitting | 78 | *a R833566 | 1 | . Fitting |
| 33 | R833109 | 1 | . Fitting | 79 | *b R13808107 | 6 | . Clamp |
| 34 | R833112 | 1 | . Fitting | 80 | *b R13811191 | 7 | . Nut |
| 35 | R833130 | 3 | . Fitting | 81 | *b R13811447 | 6 | . Washer |
| 36 | R833132 | 1 | . Fitting | 82 | *b R13812514 | 2 | . Washer |
| 37 | R833217 | 1 | . Fitting | 83 | *b R13811033 | 1 | . Capscrew |
| 38 | R833218 | 1 | . Fitting | 84 | *b R19362544 | 1 | . Bracket |
| 39 | R833253 | 1 | . Fitting | | | | |
| 40 | R833257 | 1 | . Fitting | | | | |
| 41 | R833261 | 1 | . Fitting | | | | |
| | | | | *a | Dipstick Assembly last used Unit S/N 258 | | |
| | | | | *b | First used on Unit S/N 269 | | |



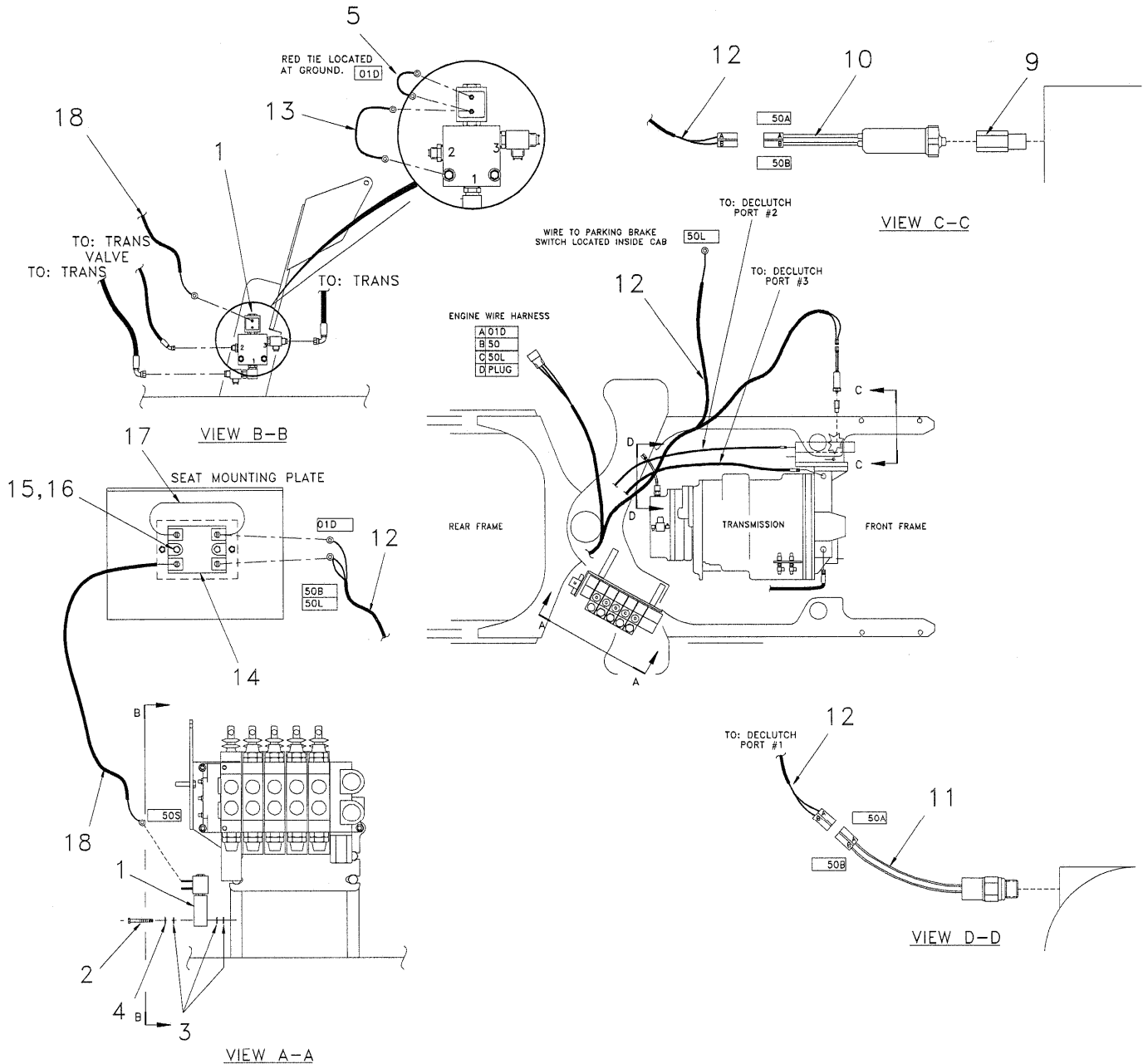
Declutch Installation

| Item | Part No | Qty | Description |
|------|---------------|-----|------------------------------|
| *a | R11484 | | Declutch Installation |
| 1 | R11348 | 1 | . Declutch Asm |
| 2 | R13810996 | 2 | . Capscrew |
| 3 | R13811443 | 6 | . Washer |
| 4 | R13800826 | 2 | . Washer |
| 5 | R740213 | 1 | . Diode Asm |
| 9 | R1517252 | 1 | . Fitting |

| Item | Part No | Qty | Description |
|------|---------|-----|--------------------------|
| 10 | R11152 | 1 | . Switch |
| 11 | R11155 | 1 | . Switch |
| 12 | R10665 | 1 | . Wire Harness, Declutch |

*a Last used on Unit S/N 268

First used on Unit S/N 269

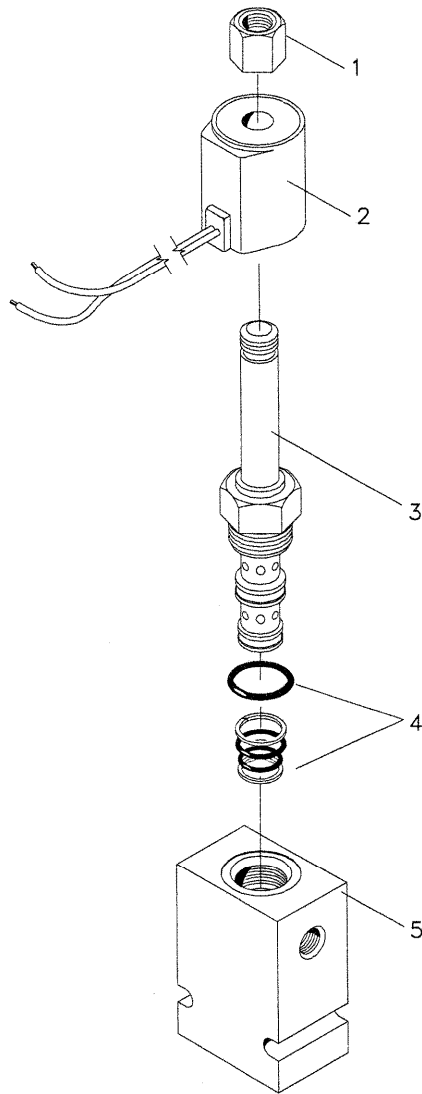


Declutch Installation

| Item | Part No | Qty | Description |
|--|-----------|-----|--------------------------|
| *a R11757 Declutch Installation | | | |
| 1 | R11348 | 1 | . Declutch Asm |
| 2 | R13810996 | 2 | . Capscrew |
| 3 | R13811443 | 6 | . Washer |
| 4 | R13800826 | 2 | . Washer |
| 5 | R740213 | 1 | . Diode Asm |
| 9 | R1517252 | 1 | . Fitting |
| 10 | R11152 | 1 | . Switch |
| 11 | R11155 | 1 | . Switch |
| 12 | R10665 | 1 | . Wire Harness, Declutch |

| Item | Part No | Qty | Description |
|------|-----------|-----|-----------------|
| 13 | R1937471 | 1 | . Wire Asm |
| | R11753 | | Declutch, Cab |
| 14 | R11754 | 1 | . Relay |
| 15 | R13809458 | 2 | . Machine Screw |
| 16 | R13805118 | 2 | . Nut |
| 17 | R11755 | 1 | . Wire Asm |
| 18 | R11756 | 1 | . Wire Asm |

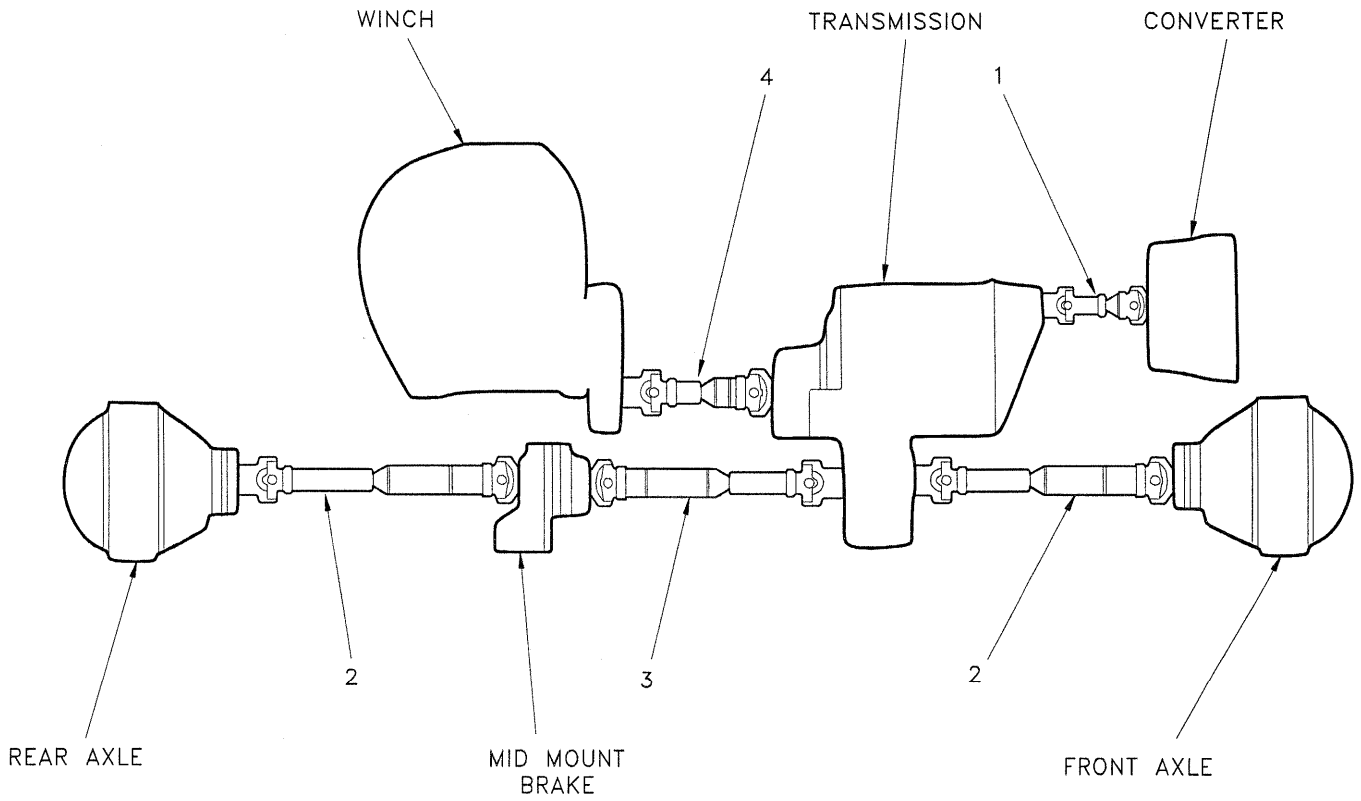
*a First used on Unit S/N 269



Declutch Solenoid Valve

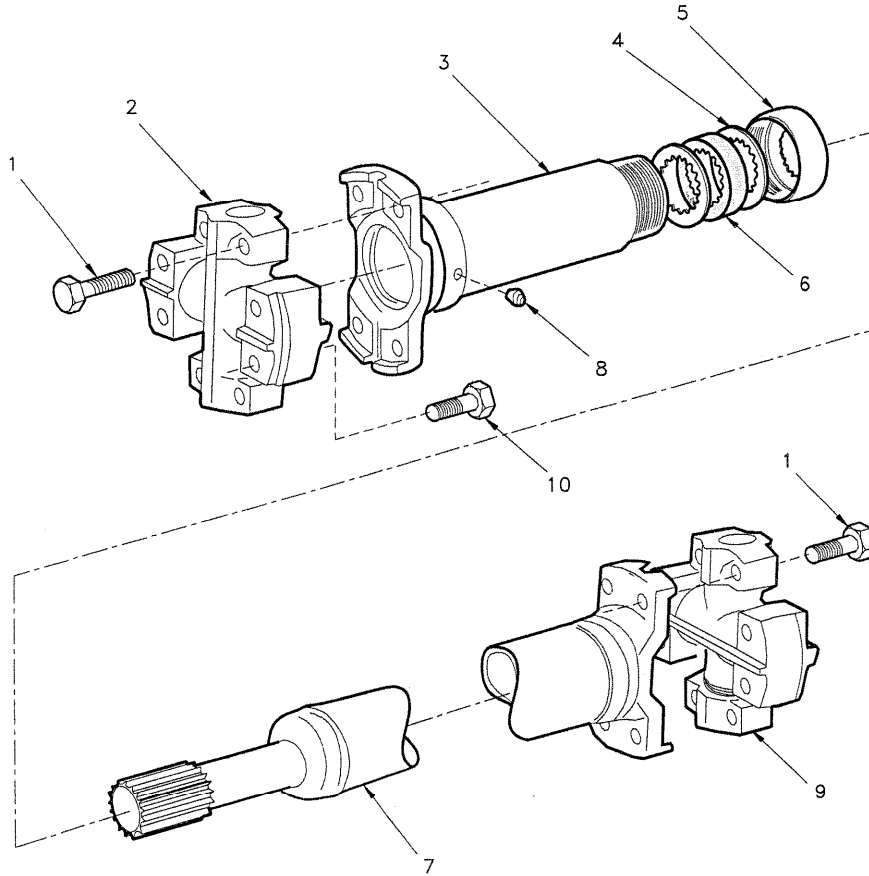
| Item | Part No | Qty | Description |
|------|------------------|-----|--------------------------------|
| | R12574707 | | Declutch Solenoid Valve |
| 1 | NSS | 1 | . Nut |
| 2 | R11536 | 1 | . Coil |
| 3 | R12973127 | 1 | . Cartridge |

| Item | Part No | Qty | Description |
|------|-----------|-----|-------------|
| 4 | R12973126 | 1 | . Seal Kit |
| 5 | R12973129 | 1 | . Body |



Driveline Installation

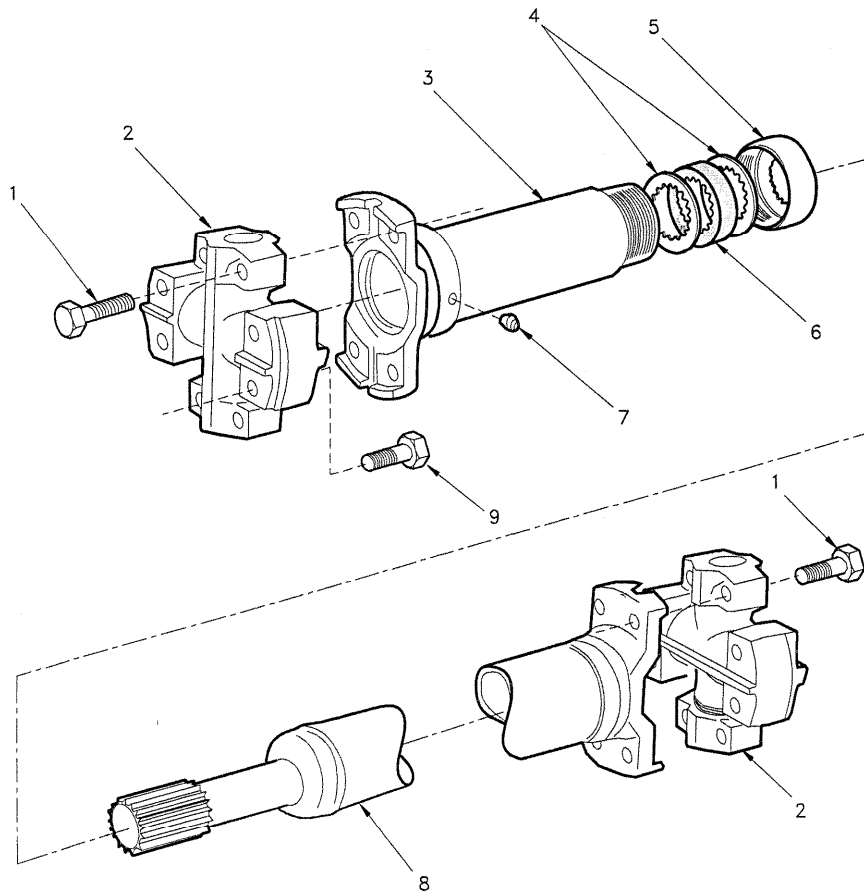
| Item | Part No | Qty | Description | Item | Part No | Qty | Description |
|------------------------------------|----------|-----|-----------------------|------|-------------|-----|-----------------------|
| R005 Driveline Installation | | | | | | | |
| 1 | * R10551 | 1 | . Driveline (4 - 2.2) | 3 | * R12575622 | 1 | . Driveline (4 - 2.4) |
| 2 | * R10552 | 2 | . Driveline (4 - 2.3) | 4 | * R1937747 | 1 | . Driveline (4 - 2.5) |



Driveline - Converter to Transmission

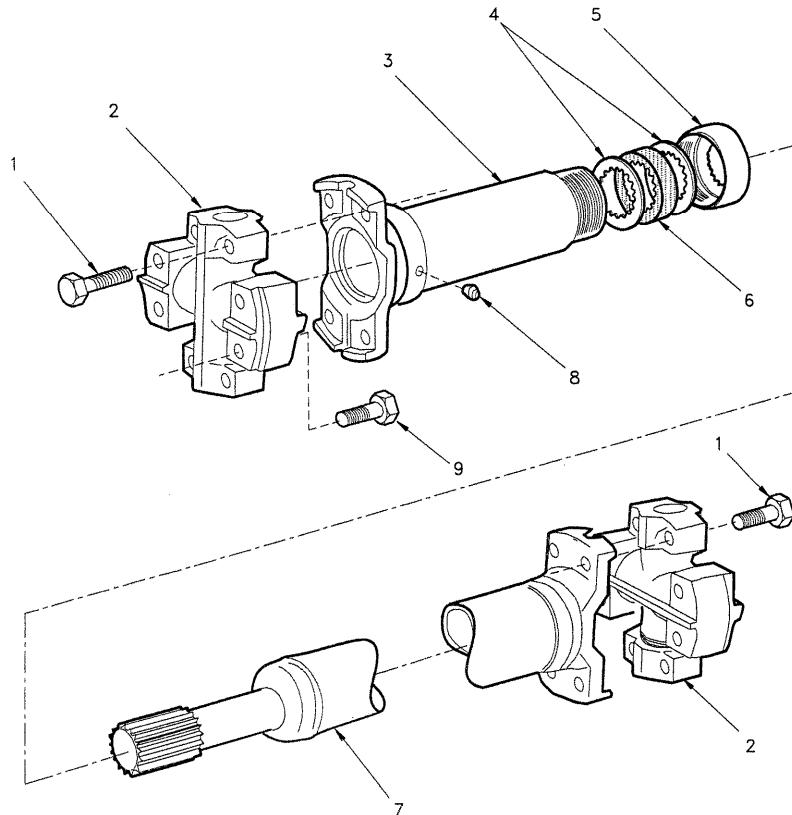
| Item | Part No | Qty | Description |
|------|---------------|-----|------------------------------------|
| | R10551 | | Driveline - Conv. to Trans. |
| 1 | R11630 | 8 | . Screw |
| 2 | R11631 | 2 | . U-Joint Asm |
| 3 | R11633 | 1 | . Yoke Asm |
| 4 | R11635 | 2 | . Washer |
| 5 | R11636 | 1 | . Retainer |

| Item | Part No | Qty | Description |
|------|-----------|-----|------------------|
| 6 | R942751 | 1 | . Seal |
| 7 | R11634 | 1 | . Propshaft |
| 8 | R13801340 | 1 | . Grease Fitting |
| 9 | R11637 | 8 | . U-Joint Asm |
| 10 | R13810902 | 8 | . Capscrew |



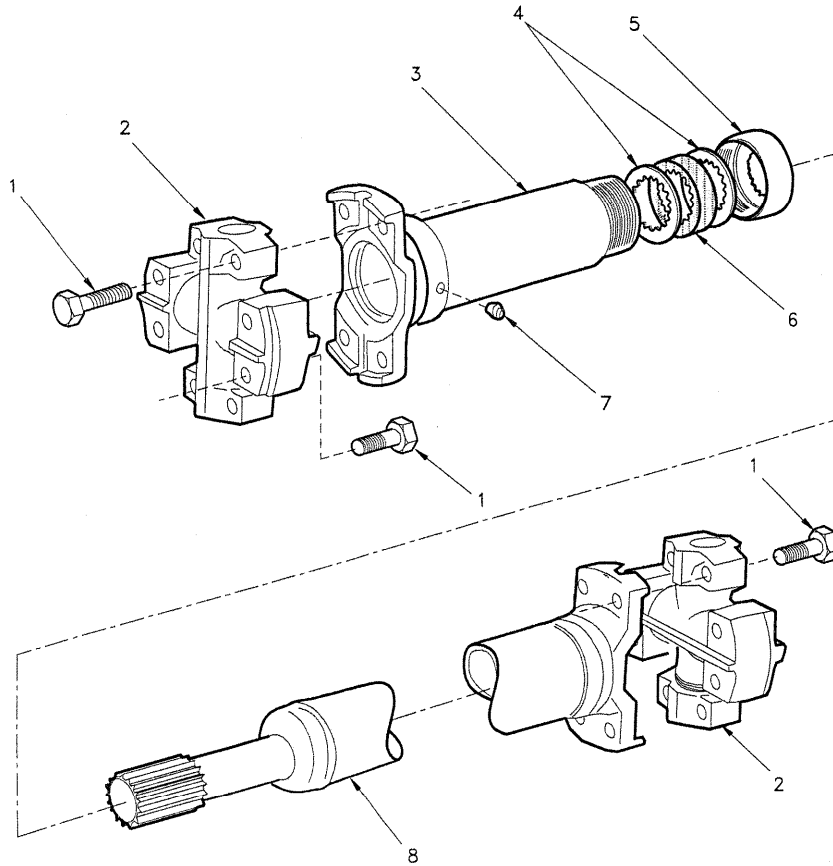
Driveline - Axle

| Item | Part No | Qty | Description | Item | Part No | Qty | Description |
|---------------|-----------|-----|---------------|-------------------------|-----------|-----|------------------|
| R10552 | | | | Driveline - Axle | | | |
| 1 | R13802251 | 8 | . Screw | 6 | R5207432 | 1 | . Seal |
| 2 | R1992656 | 2 | . U Joint Asm | 7 | R11628 | 1 | . Grease Fitting |
| 3 | R12968398 | 1 | . Yoke Asm | 8 | R11629 | 1 | . Propshaft |
| 4 | R4095451 | 2 | . Washer | 9 | R13802251 | 8 | . Screw |
| 5 | R940250 | 1 | . Retainer | | | | |



Driveline - Transmission to Mid Mount Brake

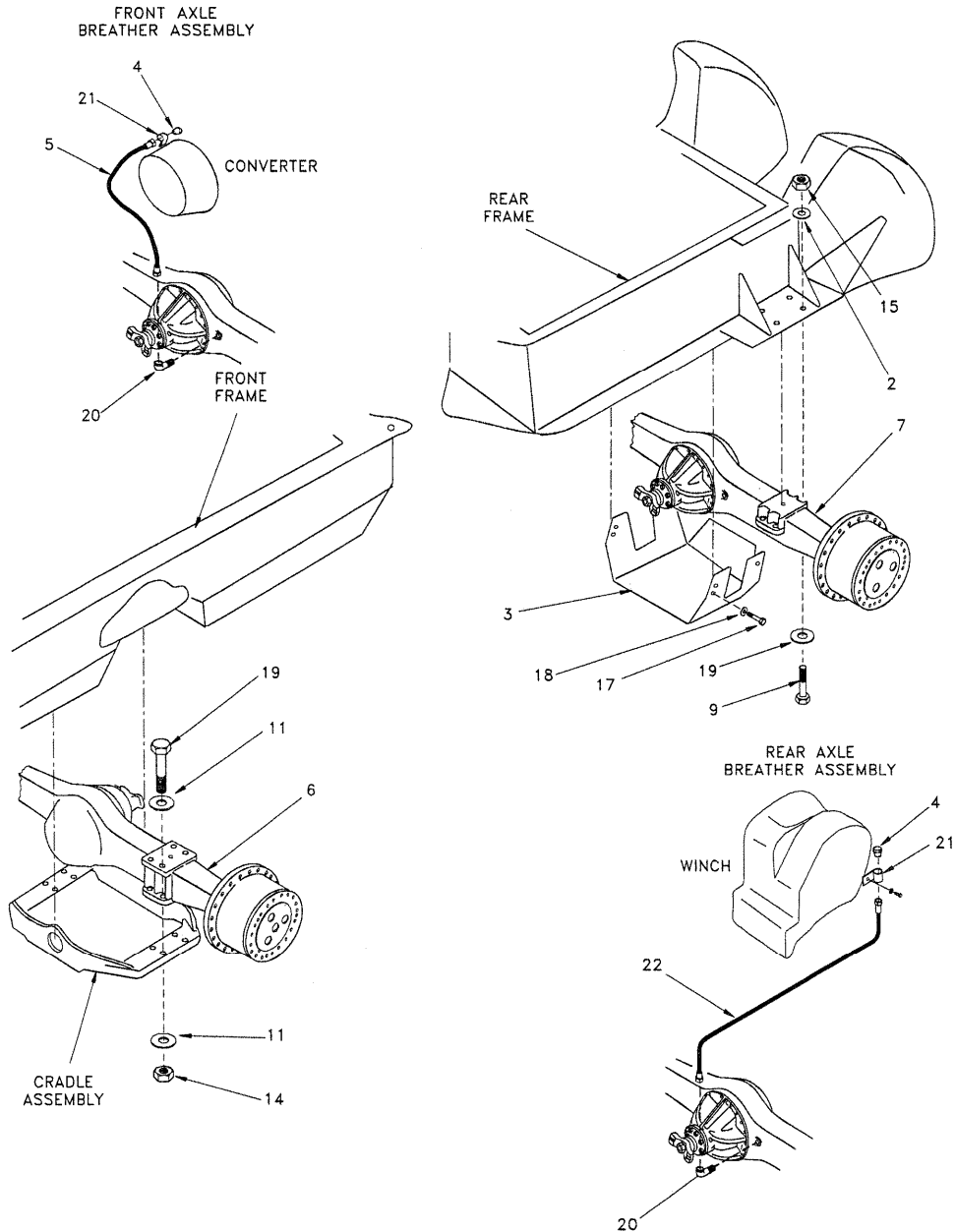
| Item | Part No | Qty | Description | Item | Part No | Qty | Description |
|------------------|-----------|-----|---------------|--|-----------|-----|------------------------------|
| R12575622 | | | | Driveline - Trans. to Mid Mount | | | |
| 1 | R13802051 | 8 | . Screw | 7 | R12973190 | 1 | . Propshaft |
| 2 | R1992656 | 2 | . U-Joint Asm | 8 | R11628 | 1 | . Grease Fitting |
| 3 | R12973189 | 1 | . Yoke Asm | 9 | R13802051 | 8 | . Screw |
| 4 | *a | 2 | . Washer | | | | *a Service Kit P/N R12969570 |
| 5 | *a | 1 | . Retainer | | | | |
| 6 | *a | 1 | . Seal | | | | |



Driveline - Transmission to Winch

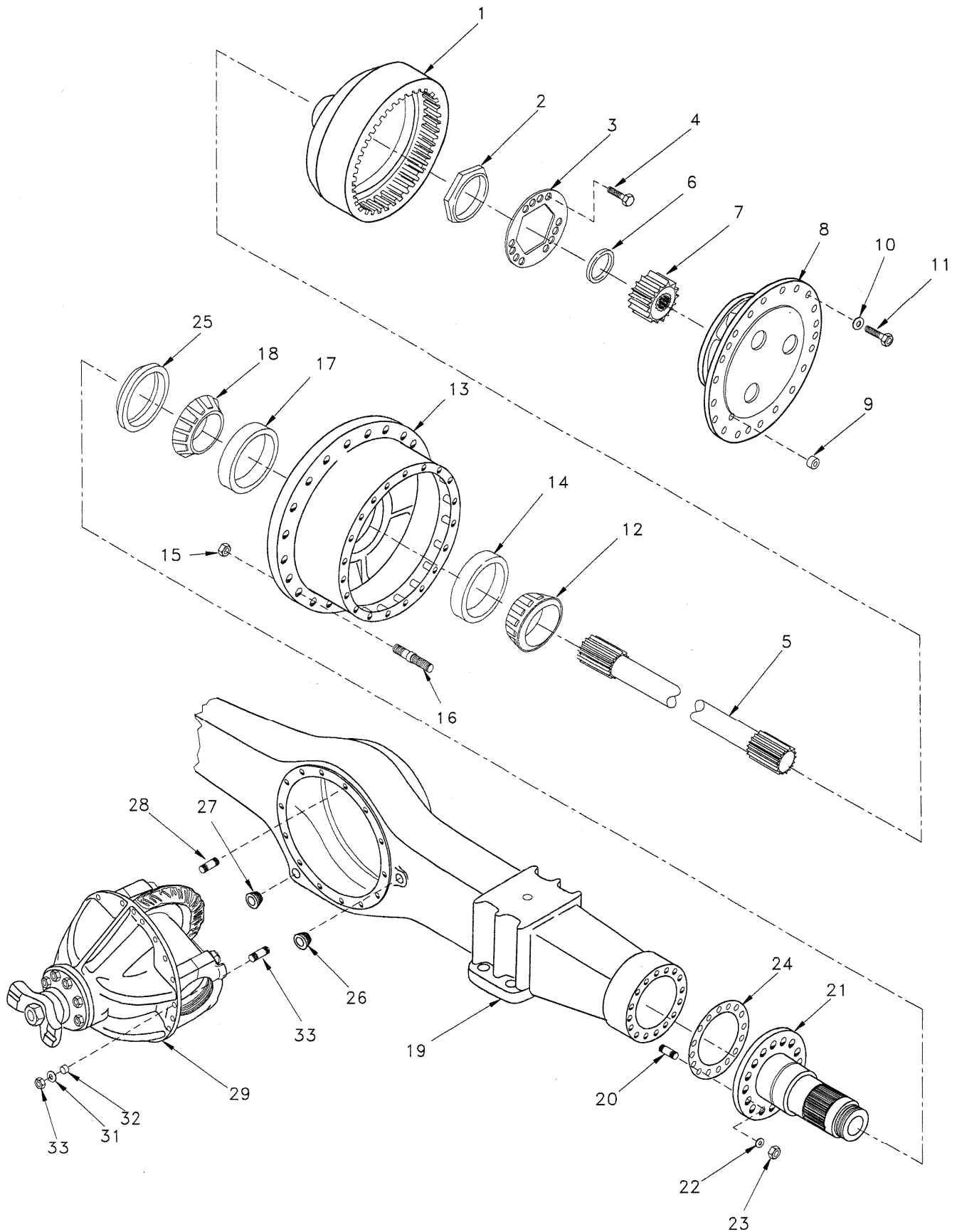
| Item | Part No | Qty | Description | Item | Part No | Qty | Description |
|------|-----------------|-----|------------------------------------|------|-----------|-----|-------------------|
| | R1937747 | | Driveline - Trans. to Winch | | | | |
| 1 | R13802020 | 16 | . Screw | 5 | R12000374 | 1 | .. Retainer |
| 2 | R12968393 | 2 | . Spider Asm | 6 | R942751 | 1 | .. Seal |
| 3 | R1992564 | 1 | . Yoke Asm | 7 | R13801340 | 1 | .. Grease Fitting |
| 4 | R1992038 | 2 | .. Washer | 8 | R1992567 | 1 | . Propshaft |

Intentionally blank



Axle Installation

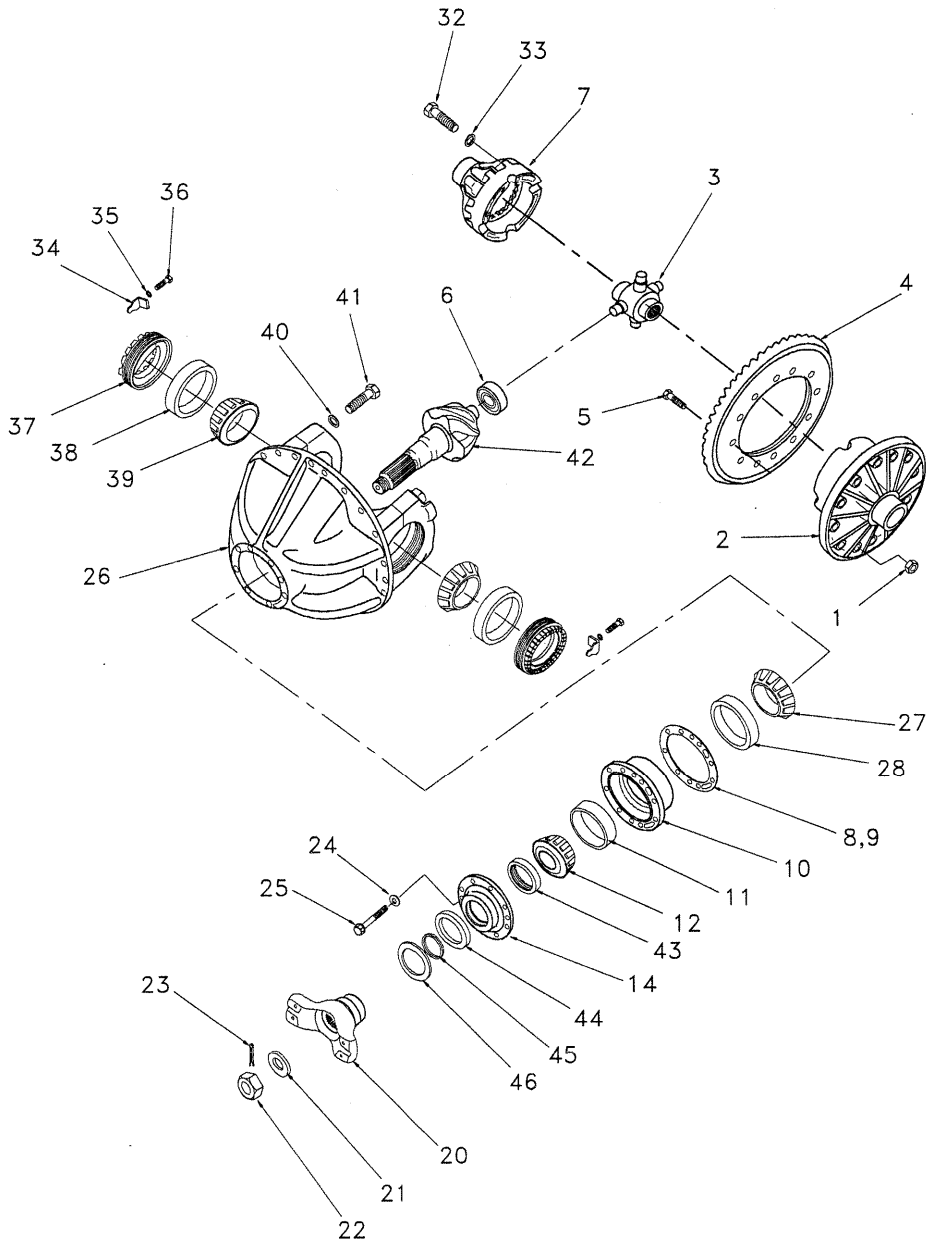
| Item | Part No | Qty | Description | Item | Part No | Qty | Description |
|-------------------------------|-------------|-----|------------------|------|-----------|-----|-------------|
| R003 Axle Installation | | | | | | | |
| 2 | R10565 | 8 | . Washer | 14 | R13803587 | 8 | . Locknut |
| 3 | R10619 | 1 | . Cover | 15 | R13803588 | 8 | . Locknut |
| 4 | R106656 | 2 | . Breather Asm | 16 | R13804979 | 8 | . Washer |
| 5 | R1259902 | 1 | . Hose | 17 | R13811145 | 6 | . Capscrew |
| 6 | * R12600043 | 1 | . Axle (4 - 3.2) | 18 | R13811436 | 6 | . Washer |
| 7 | * R12600081 | 1 | . Axle (4 - 3.8) | 19 | R13811497 | 8 | . Capscrew |
| 9 | R13801922 | 8 | . Capscrew | 20 | R1937536 | 2 | . Fitting |
| 11 | R13802920 | 16 | . Washer | 21 | R1937538 | 2 | . Clip |
| 12 | R13803040 | 1 | . Cable Clamp | 22 | R1939839 | 1 | . Hose |
| 13 | R13803042 | 1 | . Cable Clamp | | | | |



Front Axle Assembly

Front Axle Assembly

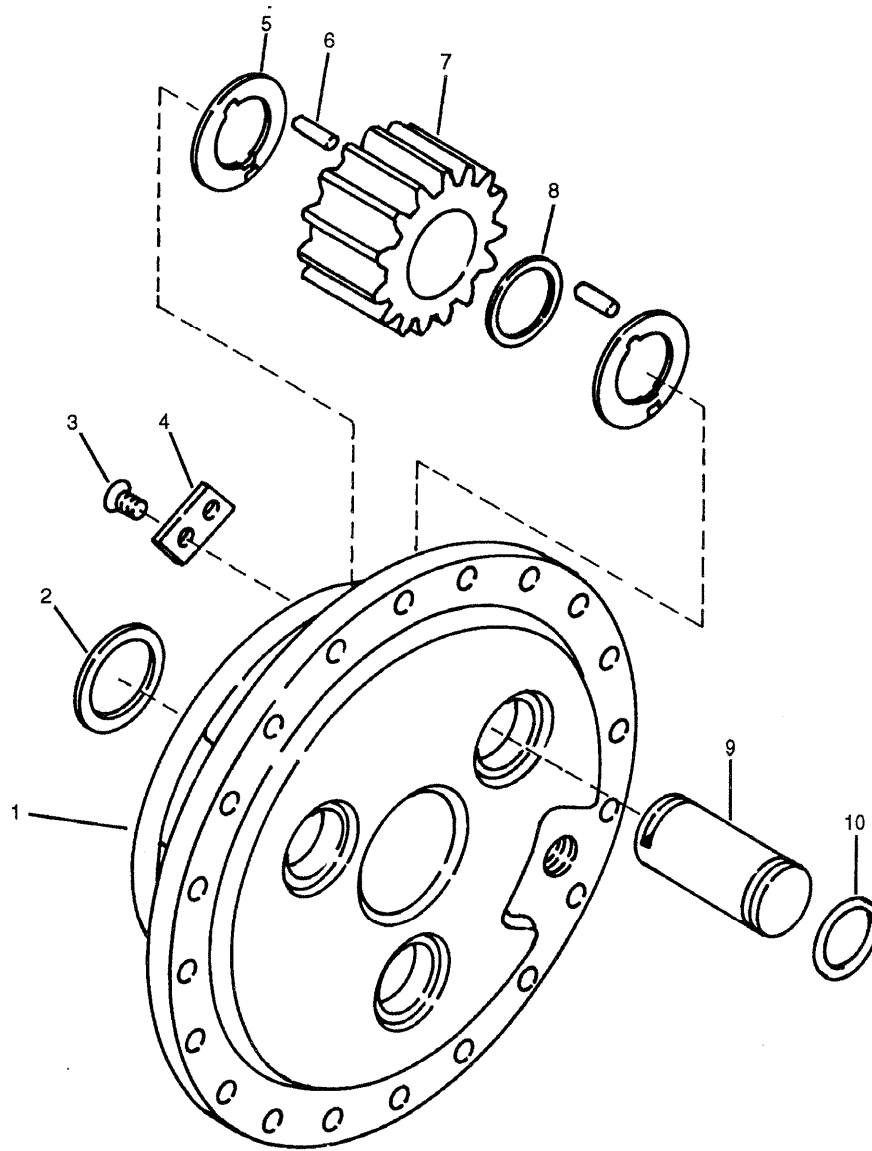
| Item | Part No | Qty | Description | Item | Part No | Qty | Description |
|------|-----------------|-----|--------------------------------|------|-------------|-----|-----------------------------|
| | R1260043 | | Axle Assembly | | | | |
| 1 | R2109801 | 2 | . Hub | 18 | R127819 | 2 | . Bearing Cone |
| 2 | R2110425 | 2 | . Nut | 19 | R12607028 | 1 | . Axle Housing |
| 3 | R2109700 | 2 | . Nut | 20 | R2109903 | 32 | . Stud |
| 4 | R2110472 | 6 | . Screw | 21 | R12607832 | 2 | . Spindle |
| 5 | R12607029 | 2 | . Shaft, Axle | 22 | R4094926 | 32 | . Washer |
| 6 | R2109820 | 2 | . Washer | 23 | R13803731 | 32 | . Nut |
| 7 | R2109821 | 1 | . Sun Gear | 24 | R2110220 | 2 | . Retainer |
| 8 | * R2109806 | 2 | . Planet Carrier Asm (4 - 3.6) | 25 | R2110219 | 2 | . Seal |
| 9 | R13802607 | 2 | . Plug | 26 | R13802607 | 1 | . Plug |
| 10 | R4094988 | 20 | . Washer | 27 | R13802607 | 1 | . Plug |
| 11 | R117225 | 20 | . Screw | 28 | R119889 | 2 | . Stud |
| 12 | R7183689 | 2 | . Bearing | 29 | * R12607068 | 1 | . Diff. & Carrier (4 - 3.4) |
| 13 | R12607065 | 2 | . Hub & Cup Asm | 30 | R13803729 | 14 | . Nut |
| 14 | R2109822 | 2 | . . Cup | 31 | R4094988 | 14 | . Washer |
| 15 | R13804180 | 38 | . . Nut | 32 | R112295 | 3 | . Dowel |
| 16 | R113929 | 38 | . . Stud | 33 | R12001706 | 12 | . Stud |
| 17 | R2109824 | 2 | . . Cup | | | | |



Differential and Carrier Assembly

Differential and Carrier Assembly

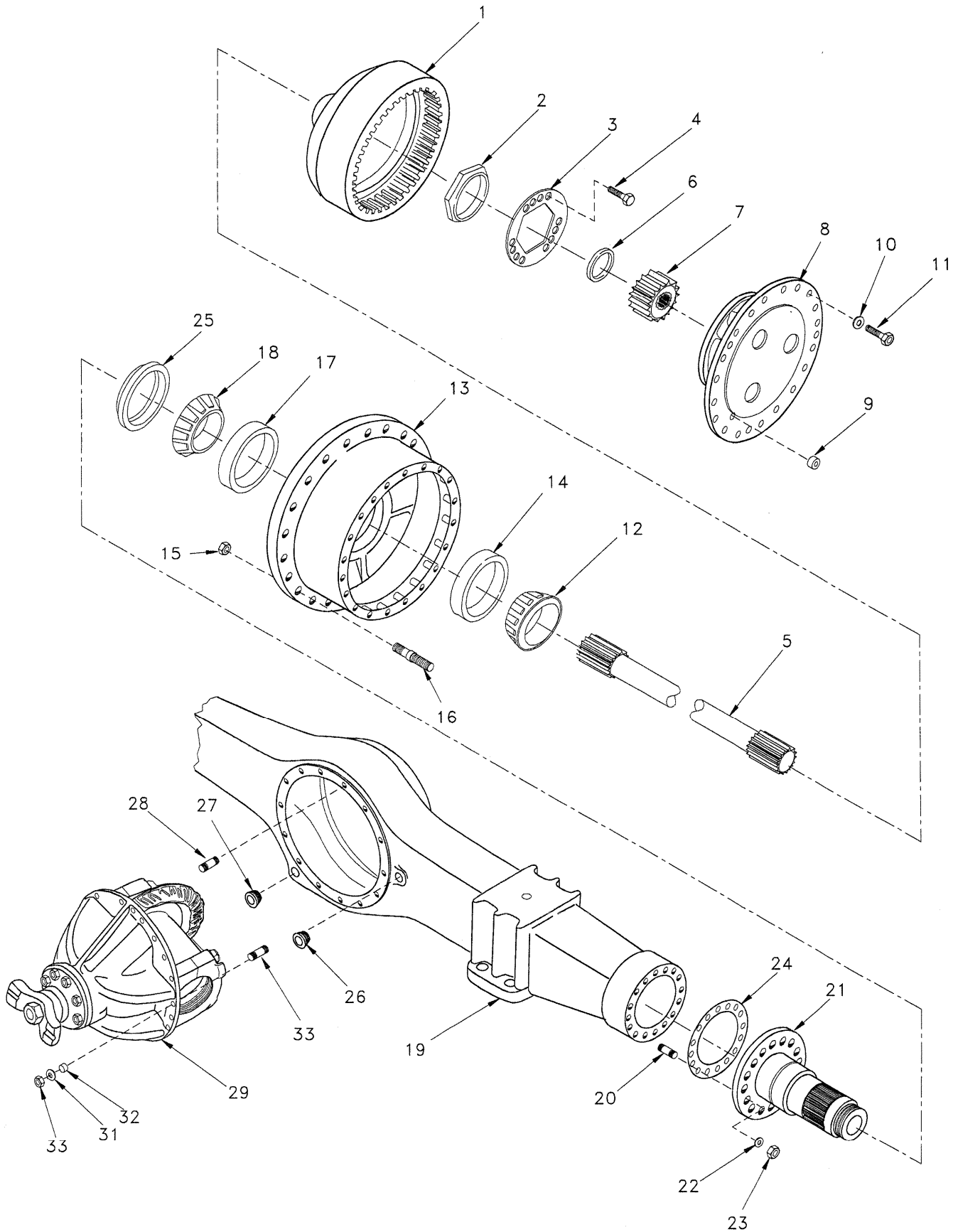
| Item | Part No | Qty | Description | Item | Part No | Qty | Description |
|------|------------------|-----|--|------|-----------|-----|---|
| | R12607068 | | Differential and Carrier Assembly | | | | |
| 1 | R13804178 | 12 | . Nut | 35 | R13800828 | 2 | . Washer |
| 2 | NSS | 1 | . Flange Half | 36 | R13800187 | 2 | . Screw |
| 3 | R2109840 | 1 | . No-Spin Unit | 37 | R123748 | 2 | . Nut |
| 4 | NSS | 1 | . Ring Gear | 38 | R675252 | 2 | . Cup |
| 5 | R101196 | 12 | . Bolt | 39 | R675254 | 2 | . Cone |
| 6 | R675265 | 1 | . Bearing | 40 | R111658 | 4 | . Washer |
| 7 | NSS | 1 | . Plain Half | 41 | R123831 | 4 | . Bolt |
| 8 | R125578 | A/R | . Shim | 42 | NSS | 1 | . Pinion |
| 9 | R125579 | A/R | . Shim | 43 | R128401 | 1 | . Seal |
| 10 | *e R107447 | 1 | . Cage Asm | 44 | R2109271 | 1 | . Washer |
| 11 | R675259 | 1 | . Cap | 45 | R2109547 | 1 | . V-Ring |
| 12 | R675260 | 1 | . Cone | 46 | R2109596 | 1 | . Dust Shield |
| 14 | R2109270 | 1 | . Retainer | | | | |
| 18 | R13800832 | 7 | . Washer | *a | R2109050 | 1 | . Differential Case Asm (Inc. Items 1,2,7,32,33) |
| 19 | R13801869 | 7 | . Screw | | | | |
| 20 | R108871 | 1 | . Flange | | | | |
| 21 | R101224 | 1 | . Washer | *b | R2109839 | 1 | . Differential Body Asm (Inc. Items 1,2,3,6,32,33) |
| 22 | R101223 | 1 | . Nut | | | | |
| 23 | R13804465 | 1 | . Pin | | | | |
| 24 | R13800830 | 1 | . Lockwasher | *c | R2111250 | 1 | . Gear and Pin Set (Inc. Items 4 & 42) |
| 25 | R13801847 | 1 | . Screw | | | | |
| 26 | *d R12607067 | 1 | . Carrier and Cap Asm | | | | |
| 27 | R675263 | 1 | . Cone | *d | | 1 | . Carrier and Cap Asm (Inc. Items 40 & 41) |
| 28 | R675262 | 1 | . Cup | | | | |
| 29 | R815200 | 1 | . Spacer and Shim Kit | | | | |
| 32 | R13801876 | 12 | . Screw | *e | | 1 | . Cage Asm (Inc. Items 11 & 28) |
| 33 | R4094933 | 12 | . Washer | | | | |
| 34 | R4094974 | 2 | . Lock | | | | |



Planet Carrier Assembly

| Item | Part No | Qty | Description | Item | Part No | Qty | Description |
|------|-----------------|-----|--------------------------------|------|----------|-----|-------------|
| | R2109806 | | Planet Carrier Assembly | | | | |
| 1 | R2109807 | 1 | . Carrier | 6 | R2109810 | 118 | . Roller |
| 2 | R2109696 | 1 | . Washer | 7 | R2109809 | 3 | . Gear |
| 3 | R138010805 | 6 | . Screw | 8 | R118775 | 3 | . Spacer |
| 4 | R2111451 | 3 | . Plate | 9 | R2110403 | 3 | . Shaft |
| 5 | R118774 | 6 | . Thrust Washer | 10 | R2110404 | 3 | . O-Ring |

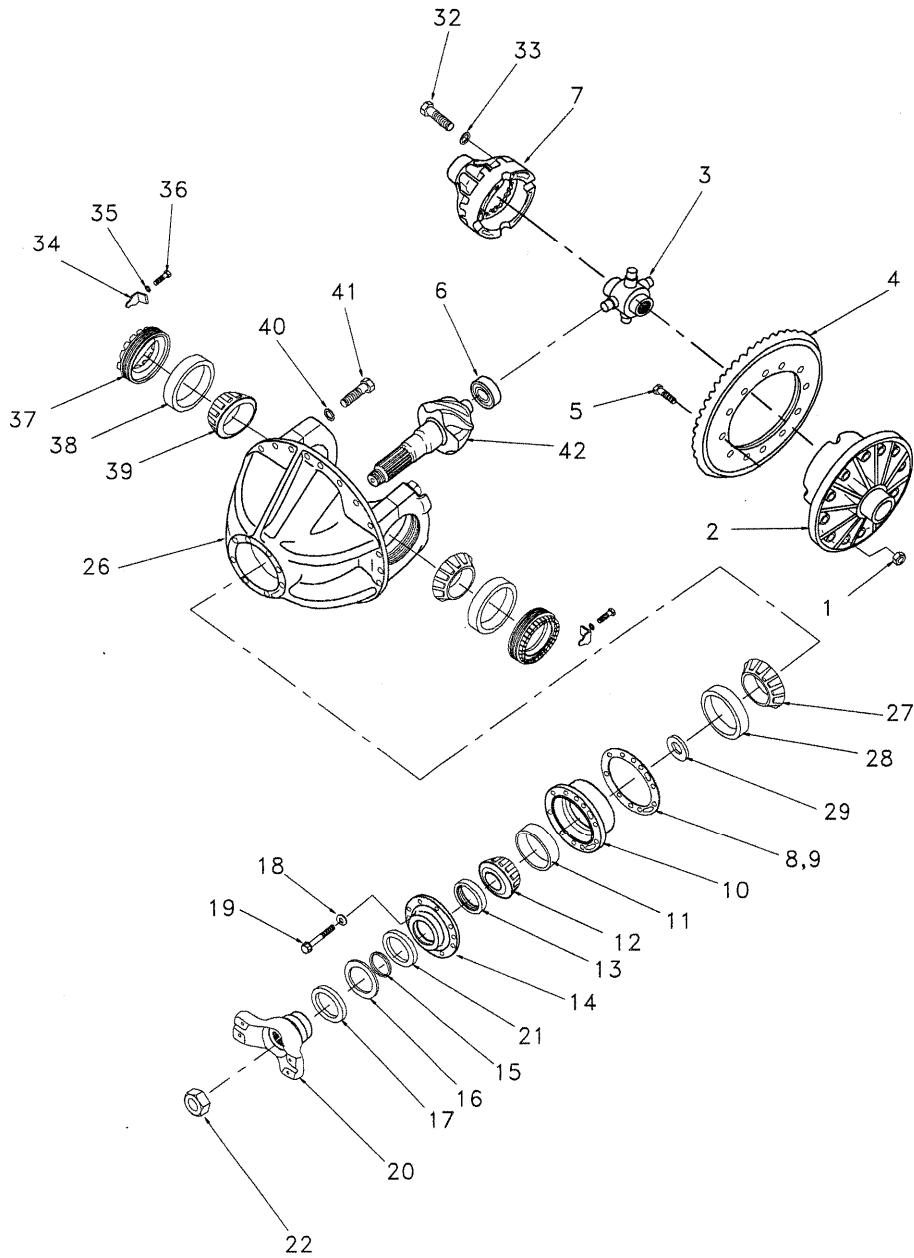
Intentionally blank



Rear Axle Assembly

Rear Axle Assembly

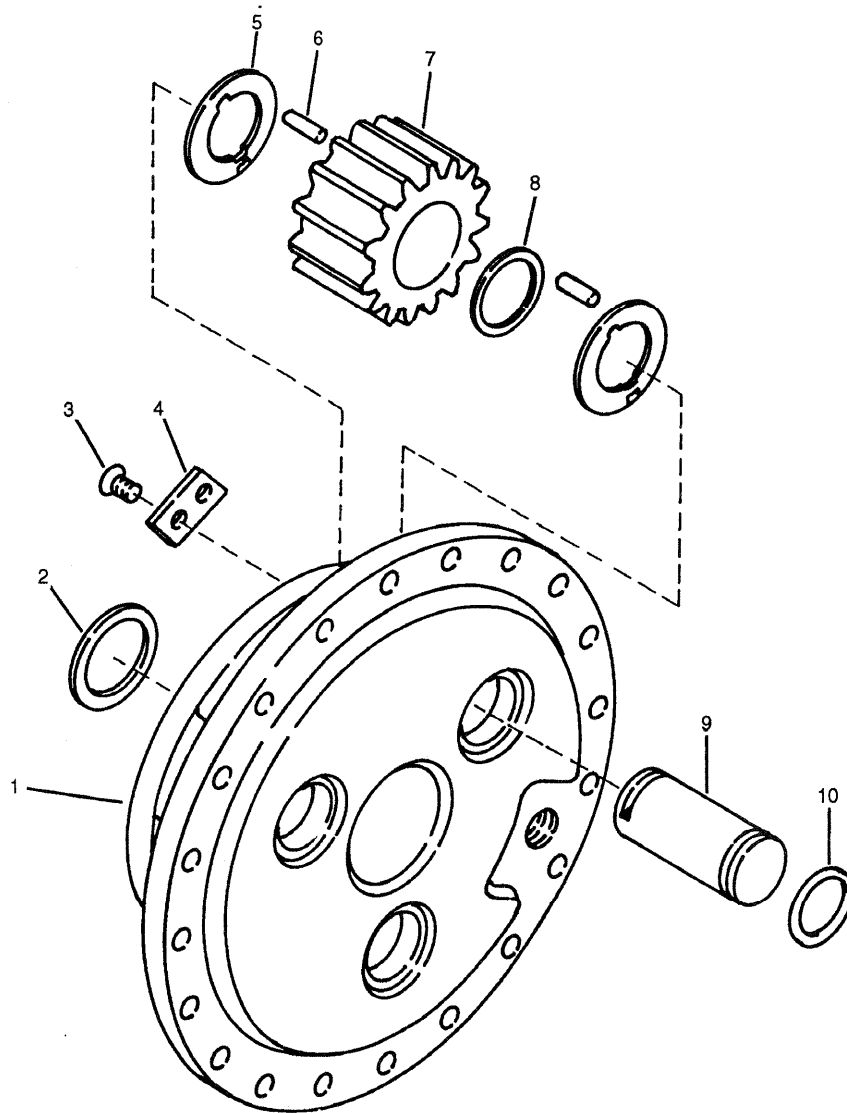
| Item | Part No | Qty | Description | Item | Part No | Qty | Description |
|------|------------------|-----|---------------------------------|------|-------------|-----|-------------------------------------|
| | R12600081 | | Axle Assembly | | | | |
| 1 | R2109698 | 2 | . Hub | 18 | R731346 | 2 | . Bearing Cup |
| 2 | R2110425 | 2 | . Nut | 19 | R13555 | 1 | . Axle Housing |
| 3 | R2109700 | 2 | . Nut | 20 | R120168 | 32 | . Stud |
| 4 | R2110472 | 6 | . Screw | 21 | R12607073 | 2 | . Spindle |
| 5 | R12607070 | 2 | . Shaft, Axle | 22 | R4094926 | 32 | . Washer |
| 6 | R2109701 | 2 | . Washer | 23 | R13803731 | 32 | . Nut |
| 7 | R2109563 | 1 | . Sun Gear | 24 | R2110220 | 2 | . Retainer |
| 8 | * R2109692 | 2 | . Planet Carrier Asm (4 - 3.12) | 25 | R2110219 | 2 | . Seal |
| 9 | R13802607 | 2 | . Plug | 26 | R13802607 | 1 | . Plug |
| 10 | R4094933 | 36 | . Washer | 27 | R13802607 | 1 | . Plug |
| 11 | R124158 | 36 | . Screw | 28 | R4094937 | 10 | . Stud |
| 12 | R791503 | 2 | . Bearing | 29 | * R12607074 | 1 | . Differential & Carrier (4 - 3.10) |
| 13 | R12607071 | 2 | . Hub & Cup Asm | 30 | R13803730 | 14 | . Nut |
| 14 | R2109822 | 2 | . . Cup | 31 | R4094933 | 14 | . Washer |
| 15 | R13804180 | 38 | . . Nut | 32 | R4094932 | 3 | . Dowel |
| 16 | R120218 | 38 | . . Stud | 33 | R4094929 | 4 | . Stud |
| 17 | R867631 | 2 | . . Cup | | | | |



Differential and Carrier Assembly

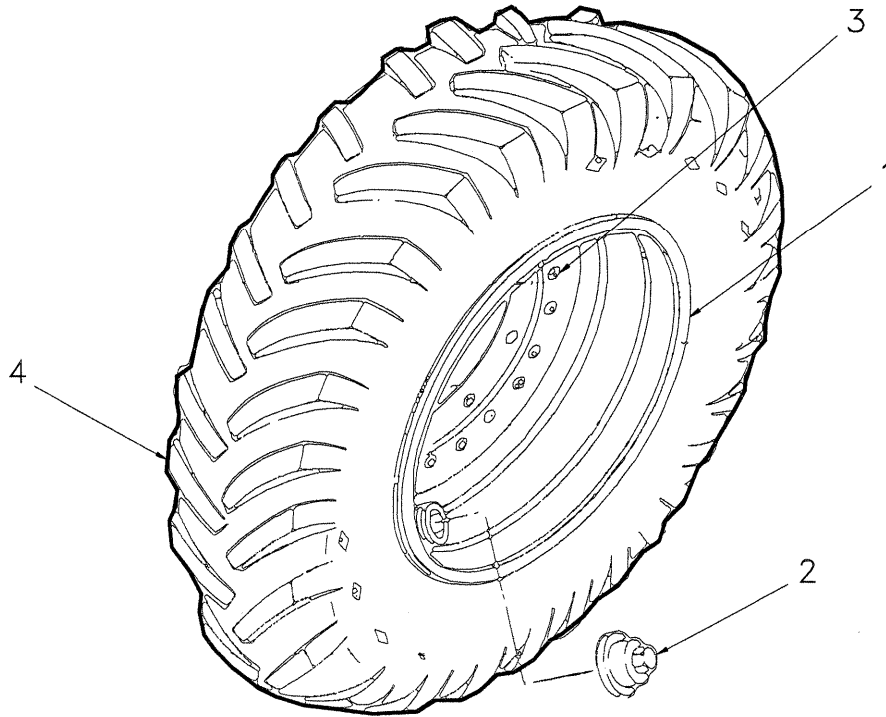
Differential and Carrier Assembly

| Item | Part No | Qty | Description | Item | Part No | Qty | Description |
|------|------------------|-----|--|------|-----------|-----|---|
| | R12607074 | | Differential and Carrier Assembly | | | | |
| 1 | R13804179 | 12 | . Nut | 33 | R4094988 | 12 | . Washer |
| 2 | NSS | 1 | . Flange Half | 34 | R4094974 | 2 | . Lock |
| 3 | R12607079 | 1 | . No-Spin Unit | 35 | R13800828 | 2 | . Washer |
| 4 | NSS | 1 | . Ring Gear | 36 | R13800187 | 2 | . Screw |
| 5 | R4094990 | 12 | . Bolt | 37 | R123749 | 2 | . Nut |
| 6 | R774199 | 1 | . Bearing | 38 | R675255 | 2 | . Cup |
| 7 | NSS | 1 | . Plain Half | 39 | R742261 | 2 | . Cone |
| 8 | R4095004 | A/R | . Shim | 40 | R111658 | 4 | . Washer |
| 9 | R12001799 | A/R | . Shim | 41 | R123832 | 4 | . Bolt |
| 10 | *e R4094948 | 1 | . Cage Asm | 42 | NSS | 1 | . Pinion |
| 11 | R774198 | 1 | . Cup | | | | |
| 12 | R774197 | 1 | . Cone | | | | |
| 13 | R2109170 | 1 | . Seal | | | | |
| 14 | R2109567 | 1 | . Retainer | *a | R1257911 | 1 | . Differential Case Asm (Inc. Items 1,2,7,32,33) |
| 15 | R12607076 | 1 | . Seal | | | | |
| 16 | R2111577 | 1 | . Dust Shield | | | | |
| 17 | R2109175 | 1 | . Sleeve | *b | R12607078 | 1 | . Differential Body Asm (Inc. Items 1,2,3,7,32,33) |
| 18 | R13800832 | 8 | . Washer | | | | |
| 19 | R13810771 | 8 | . Screw | | | | |
| 20 | R2111583 | 1 | . Flange | *c | R2112159 | 1 | . Gear and Pin Set (Inc. Items 4 & 42) |
| 21 | R2111578 | 1 | . Washer | | | | |
| 22 | R12974639 | 1 | . Nut | | | | |
| 26 | *d R119187 | 1 | . Carrier and Cap Asm | *d | | 1 | . Carrier and Cap Asm (Inc. Items 40 & 41) |
| 27 | R710034 | 1 | . Cone | | | | |
| 28 | R710035 | 1 | . Cup | | | | |
| 29 | R815377 | 1 | . Spacer and Shim Kit | *e | | 1 | . Cage Asm (Inc. Items 11 & 28) |
| 32 | R13813271 | 8 | . Screw | | | | |
| | R4094987 | 4 | . . Screw | | | | |



Planet Carrier Assembly

| Item | Part No | Qty | Description | Item | Part No | Qty | Description |
|------|-----------------|-----|--------------------------------|------|----------|-----|-------------|
| | R2109692 | | Planet Carrier Assembly | | | | |
| 1 | R2109693 | 1 | . Carrier | 6 | R1324396 | 186 | . Roller |
| 2 | R2109696 | 1 | . Washer | 7 | R2108542 | 3 | . Gear |
| 3 | R13801080 | 6 | . Screw | 8 | R4094970 | 3 | . Spacer |
| 4 | R2110667 | 3 | . Plate | 9 | R2111386 | 3 | . Shaft |
| 5 | R4094968 | 6 | . Thrust Washer | 10 | R2110440 | 3 | . O-Ring |



Tire and Rim Assembly

| Item | Part No | Qty | Description | Item | Part No | Qty | Description |
|-------------|-------------|-----|-----------------------------|------------------------------|-------------|-----|-----------------------------|
| R006 | | | | Tire and Rim Assembly | | | |
| | RPL12576921 | | Rim Assembly (30.5 x 32) | | RPL12576927 | | Rim Assembly (73 x 44 x 32) |
| 1 | R10408 | 4 | . Rim Assembly | 1 | R12600019 | 4 | . Rim Assembly |
| 2 | R13802338 | 4 | . Cap, Pipe | 2 | R13802338 | 4 | . Cap, Pipe |
| 3 | R1928418 | 76 | . Nut, Wheel | 3 | R1928418 | 76 | . Nut, Wheel |
| 4 | ----- | Ref | . Tire (30.5 x 32) | 4 | ----- | Ref | . Tire (73 x 44 x 32) |
| | RPL12576923 | | Rim Assembly (67 x 34 x 26) | | RPL12576929 | | Rim Assembly (68 x 50 x 32) |
| 1 | R12600026 | 4 | . Rim Assembly | 1 | R12600019 | 4 | . Rim Assembly |
| 2 | R13802338 | 4 | . Cap, Pipe | 2 | R13802338 | 4 | . Cap, Pipe |
| 3 | R1928418 | 76 | . Nut, Wheel | 3 | R1928418 | 76 | . Nut, Wheel |
| 4 | ----- | Ref | . Tire (67 x 34 x 26) | 4 | ----- | Ref | . Tire (68 x 50 x 32) |
| | RPL12576925 | | Rim Assembly (35.5 x 32) | | | | |
| 1 | R12600016 | 4 | . Rim Assembly | | | | |
| 2 | R13802338 | 4 | . Cap, Pipe | | | | |
| 3 | R1928418 | 76 | . Nut, Wheel | | | | |
| 4 | ----- | Ref | . Tire (35.5 x 32) | | | | |

Intentionally blank

Section 5

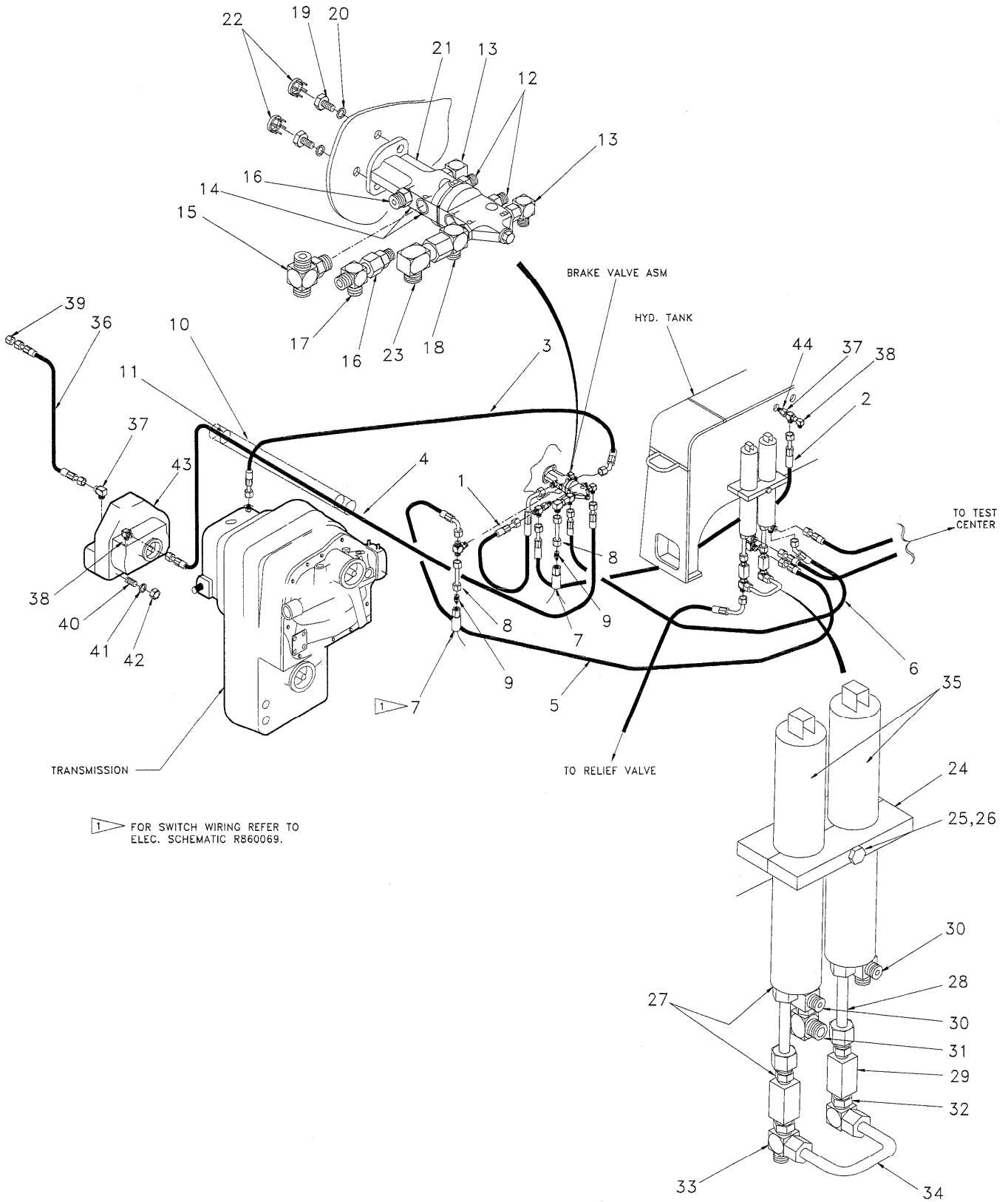
Brake System

| Page No | Description |
|--------------|---------------------------------------|
| 5 - 1 | Systems |
| 5 - 1.2 | Brake Plumbing |
| 5 - 2 | Control Components |
| 5 - 2.1 | Brake Valve |
| 5 - 2.2 | Parking Brake Controls |
| 5 - 2.3 | Accumulator |
| 5 - 2.4 | Mid Mount Brake |
| ----- | Transmission Brake - See Section 4 -1 |
| 5 - 3 | Miscellaneous |

Intentionally blank

Intentionally blank

Last used on Unit S/N 268



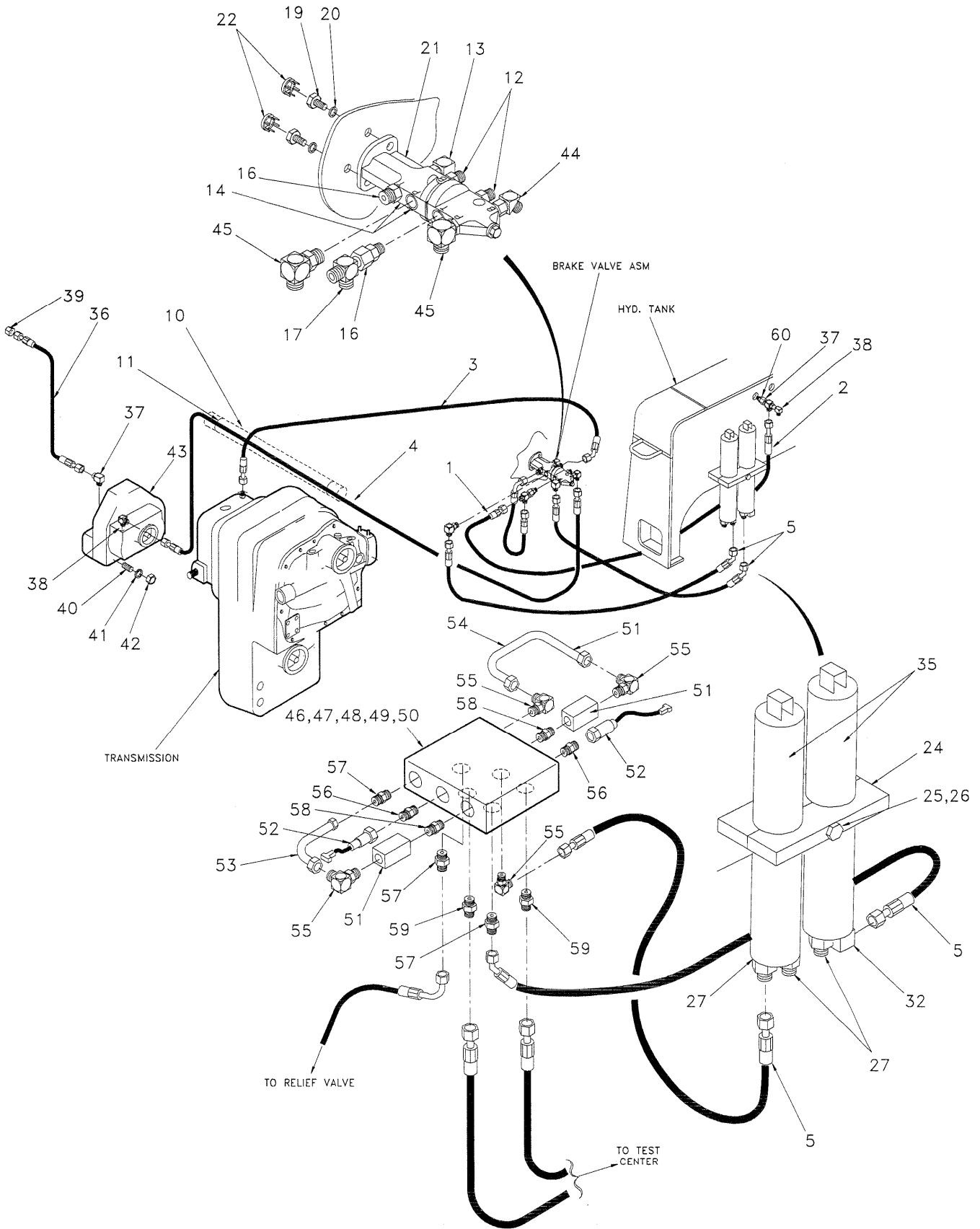
Brake Plumbing

Brake Plumbing

| Item | Part No | Qty | Description | Item | Part No | Qty | Description |
|------|-----------|-----|-------------------------|------|-----------|-----|-----------------------------|
| | *a R11711 | | Brake Plumbing | | | | |
| 1 | R12004 | 1 | . Hose Asm | 24 | R10500 | 1 | . Plate |
| 2 | R12110 | 1 | . Hose Asm | 25 | R13811041 | 1 | . Capscrew |
| 3 | R12013 | 1 | . Hose Asm | 26 | R13812514 | 1 | . Washer |
| 4 | R12022 | 1 | . Hose Asm | 27 | R833108 | 4 | . Fitting |
| 5 | R12112 | 1 | . Hose Asm | 28 | R10712 | 2 | . Tube Asm |
| 6 | R12113 | 1 | . Hose Asm | 29 | R10429901 | 2 | . Check Valve |
| 7 | R10607 | 2 | . Pressure Switch | 30 | R833403 | 2 | . Fitting |
| 8 | R10712 | 2 | . Tube Asm | 31 | R833801 | 1 | . Fitting |
| 9 | R833455 | 1 | . Fitting | 32 | R833257 | 1 | . Fitting |
| 10 | R12577880 | A/R | . Sleeve | 33 | R833352 | 1 | . Fitting |
| 11 | R1736910 | 2 | . Strap | 34 | R10843 | 1 | . Tube Asm |
| 12 | R833103 | 2 | . Fitting | 35 | * R10432 | 2 | . Accumulator Asm (5 - 2.3) |
| 13 | R833253 | 2 | . Fitting | 36 | R1535831 | 1 | . Hose Asm |
| 14 | R330727 | 2 | . Fitting | 37 | R834051 | 1 | . Elbow |
| 15 | R833352 | 1 | . Fitting | 38 | R833801 | 1 | . Fitting |
| 16 | R833108 | 2 | . Fitting | 39 | R13805261 | 1 | . Fitting |
| 17 | R834051 | 1 | . Fitting | 40 | R110036 | 4 | . Stud |
| 18 | R833403 | 1 | . Fitting | 41 | R13811436 | 4 | . Washer |
| 19 | R13808664 | 2 | . Capscrew | 42 | R13811196 | 4 | . Nut |
| 20 | R13811443 | 2 | . Washer | 43 | * R238027 | 1 | . Mid Mount Brake (5 - 2.4) |
| 21 | * R10034 | 1 | . Brake Valve (5 - 2.1) | 44 | R833456 | 1 | . Fitting |
| 22 | R6513640 | 2 | . Plug | | | | |
| 23 | R833801 | 1 | . Fitting | | | | |

*a Last used on Unit S/N 268

First used on Unit S/N 269



Brake Plumbing

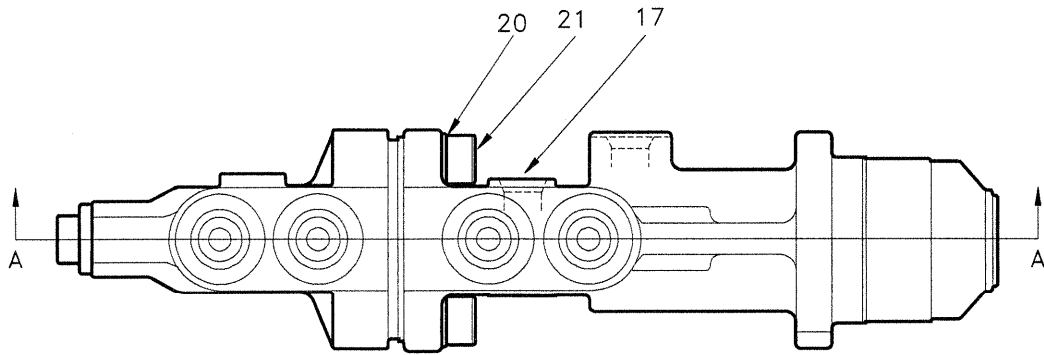
Brake Plumbing

| Item | Part No | Qty | Description | Item | Part No | Qty | Description |
|------|------------------|-----|-----------------------------|------|--------------|-----|-----------------------------|
| | *b R11838 | | Brake Plumbing | | | | |
| 1 | R12004 | 1 | . Hose Asm | 39 | R13805261 | 1 | . Fitting |
| 2 | R12110 | 1 | . Hose Asm | 40 | R110036 | 4 | . Stud |
| 3 | R12013 | 1 | . Hose Asm | 41 | R13811436 | 4 | . Washer |
| 4 | R12022 | 1 | . Hose Asm | 42 | R13811196 | 4 | . Nut |
| 5 | R12112 | 1 | . Hose Asm | 43 | * R238027 | 1 | . Mid Mount Brake (5 - 2.4) |
| 10 | R12577880 | A/R | . Sleeve | 44 | R833201 | 1 | . Fitting |
| 11 | R1736910 | 2 | . Strap | 45 | R833257 | 2 | . Fitting |
| 12 | R833103 | 2 | . Fitting | 46 | *a R12869 | 1 | . Pad |
| 13 | R833253 | 2 | . Fitting | 47 | *a R13805767 | 1 | . Nut |
| 14 | R330727 | 2 | . Fitting | 48 | *a R13811432 | 1 | . Washer |
| 16 | R833108 | 2 | . Fitting | 49 | R11865 | 1 | . Manifold Asm |
| 17 | R834051 | 1 | . Fitting | 50 | R11860 | 1 | . . Manifold |
| 19 | R13808664 | 2 | . Capscrew | 51 | R10429901 | 2 | . . Check Valve |
| 20 | R13811443 | 2 | . Washer | 52 | R10607 | 2 | . . Pressure Switch |
| 21 | * R10034 | 1 | . Brake Valve (5 - 2.1) | 53 | R11866 | 1 | . . Tube Asm |
| 22 | R6513640 | 2 | . Plug | 54 | R11867 | 1 | . . Tube Asm |
| 23 | R833801 | 1 | . Fitting | 55 | R833257 | 4 | . . Fitting |
| 24 | R10500 | 1 | . Plate | 56 | R11403 | 2 | . . Fitting |
| 25 | R13811041 | 1 | . Capscrew | 57 | R833108 | 3 | . . Fitting |
| 26 | R13812514 | 1 | . Washer | 58 | R11868 | 2 | . . Fitting |
| 27 | R833108 | 4 | . Fitting | 59 | R833103 | 2 | . . Fitting |
| 32 | R833257 | 1 | . Fitting | 60 | R833456 | 1 | . Fitting |
| 35 | * R10432 | 2 | . Accumulator Asm (5 - 2.3) | | | | |
| 36 | R1535831 | 1 | . Hose Asm | | | | |
| 37 | R834051 | 1 | . Fitting | | | | |
| 38 | R833801 | 1 | . Fitting | | | | |

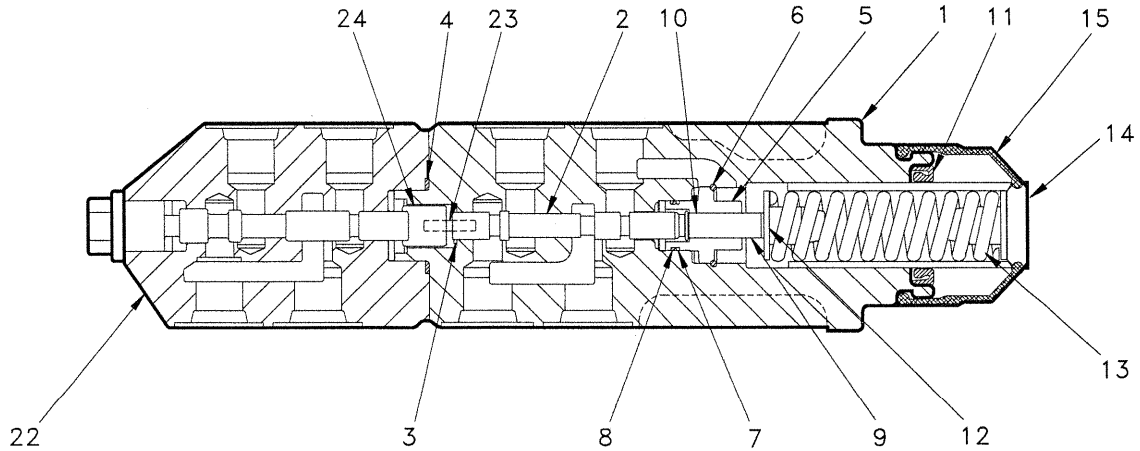
*a Not illustrated, part of manifold installation.

*b First used on Unit S/N 269

Intentionally blank



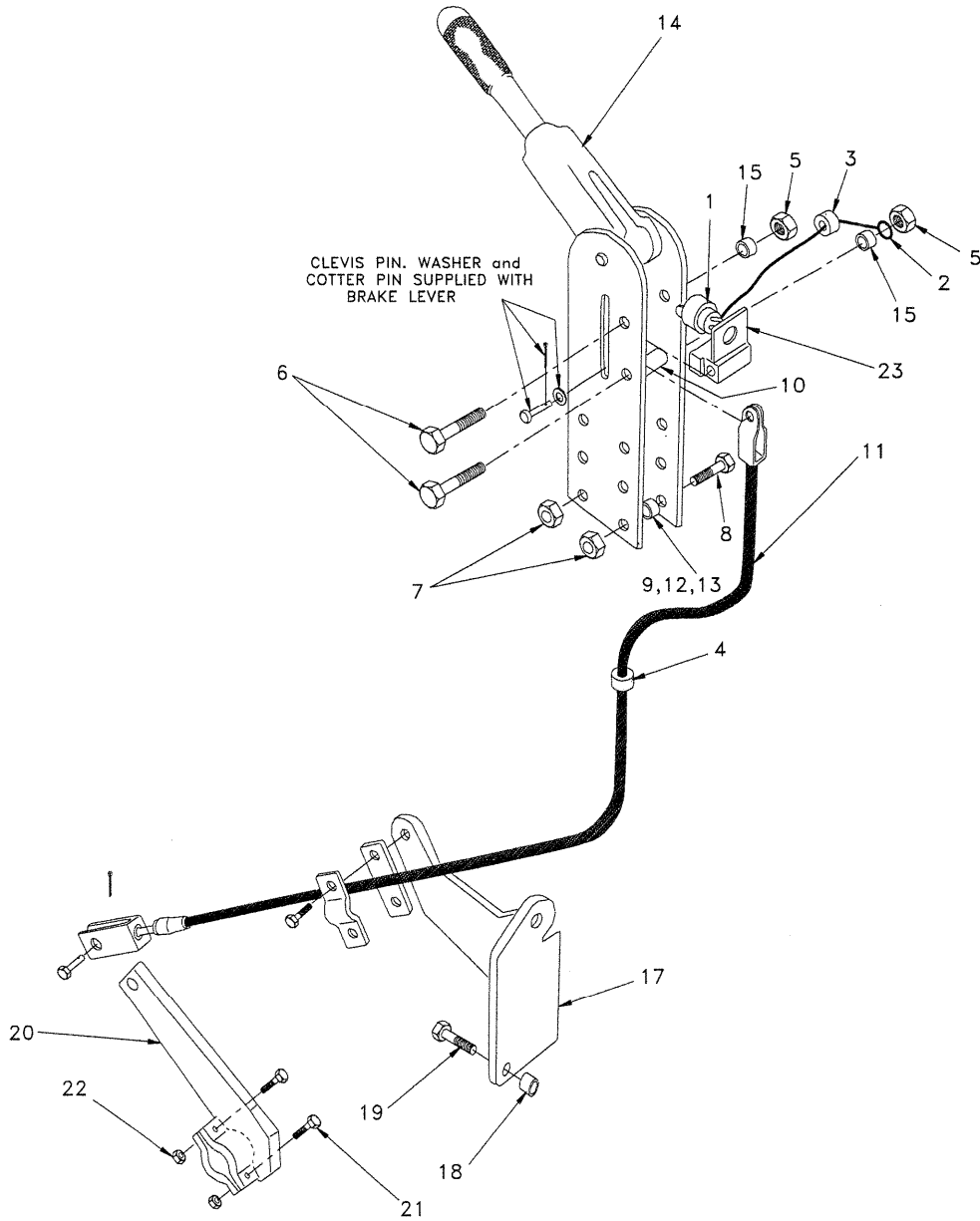
SIDE VIEW



SECTION A-A

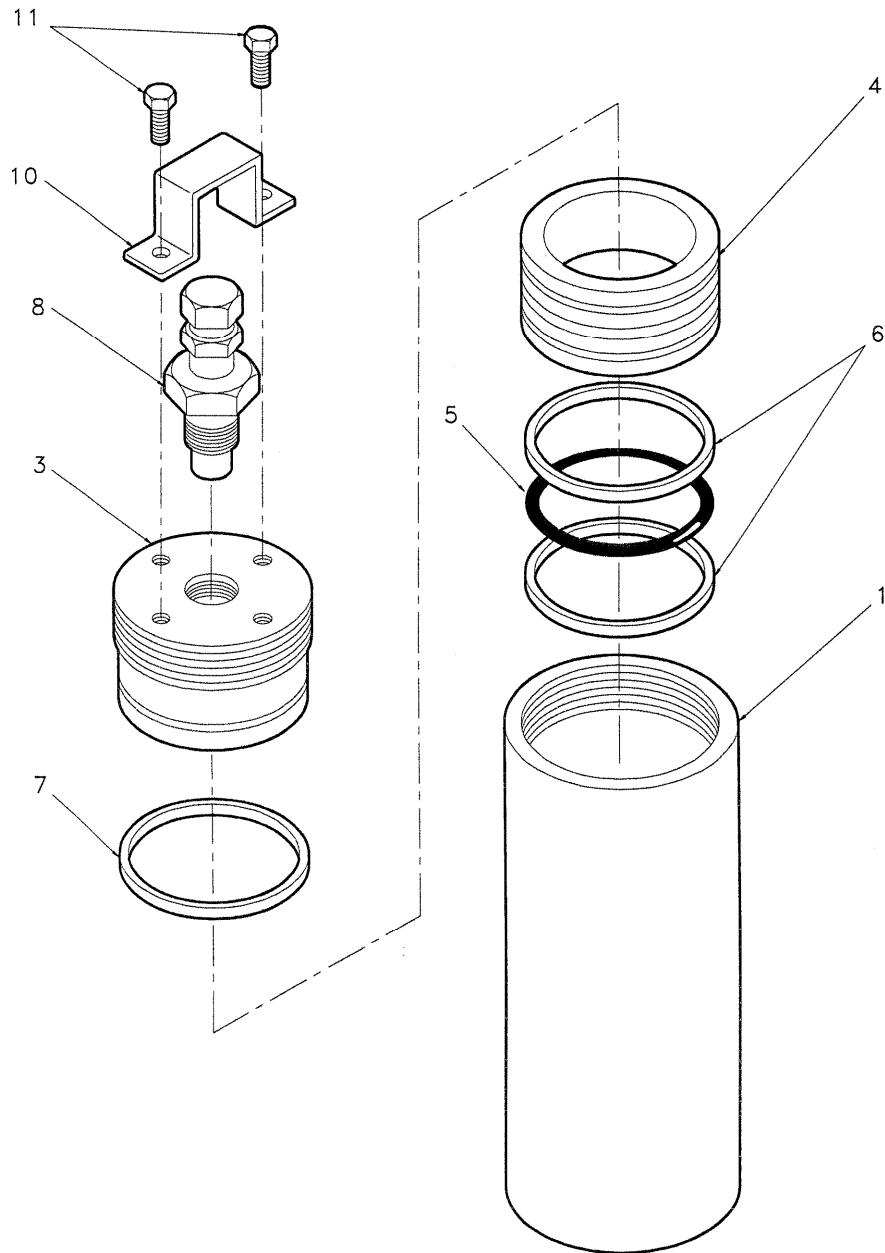
Brake Valve Assembly

| Item | Part No | Qty | Description | Item | Part No | Qty | Description |
|------|---------------|-----|-----------------------------|------|------------------------|-----|--------------------|
| | R10034 | | Brake Valve Assembly | | | | |
| 1 | NSS | 1 | . Body | 12 | R11796 | 2 | . Retainer, Spring |
| 2 | NSS | 1 | . Spool | 13 | R11797 | 1 | . Regulator |
| 3 | R11789 | 1 | . Retaining Ring | 14 | R11798 | 1 | . Tube |
| 4 | *a | 1 | . O-Ring | 15 | *a | 1 | . Dust Cover |
| 5 | R11790 | 1 | . Retainer | 20 | R11799 | 2 | . Washer |
| 6 | R11791 | 1 | . Interior Retaining Ring | 21 | R11800 | 2 | . Screw |
| 7 | R11792 | 1 | . Bac up Ring | 22 | R11801 | 1 | . Valve Plate |
| 8 | R11793 | 1 | . O-Ring | 23 | R11802 | 1 | . Center Bias |
| 9 | R11794 | 1 | . Piston - Actuator | 24 | R11803 | 1 | . Spacer |
| 10 | R11795 | 1 | . External Retaining Ring | | | | |
| 11 | *a | 1 | . Seal | | | | |
| | | | | *a | Service Kit P/N R11433 | | |



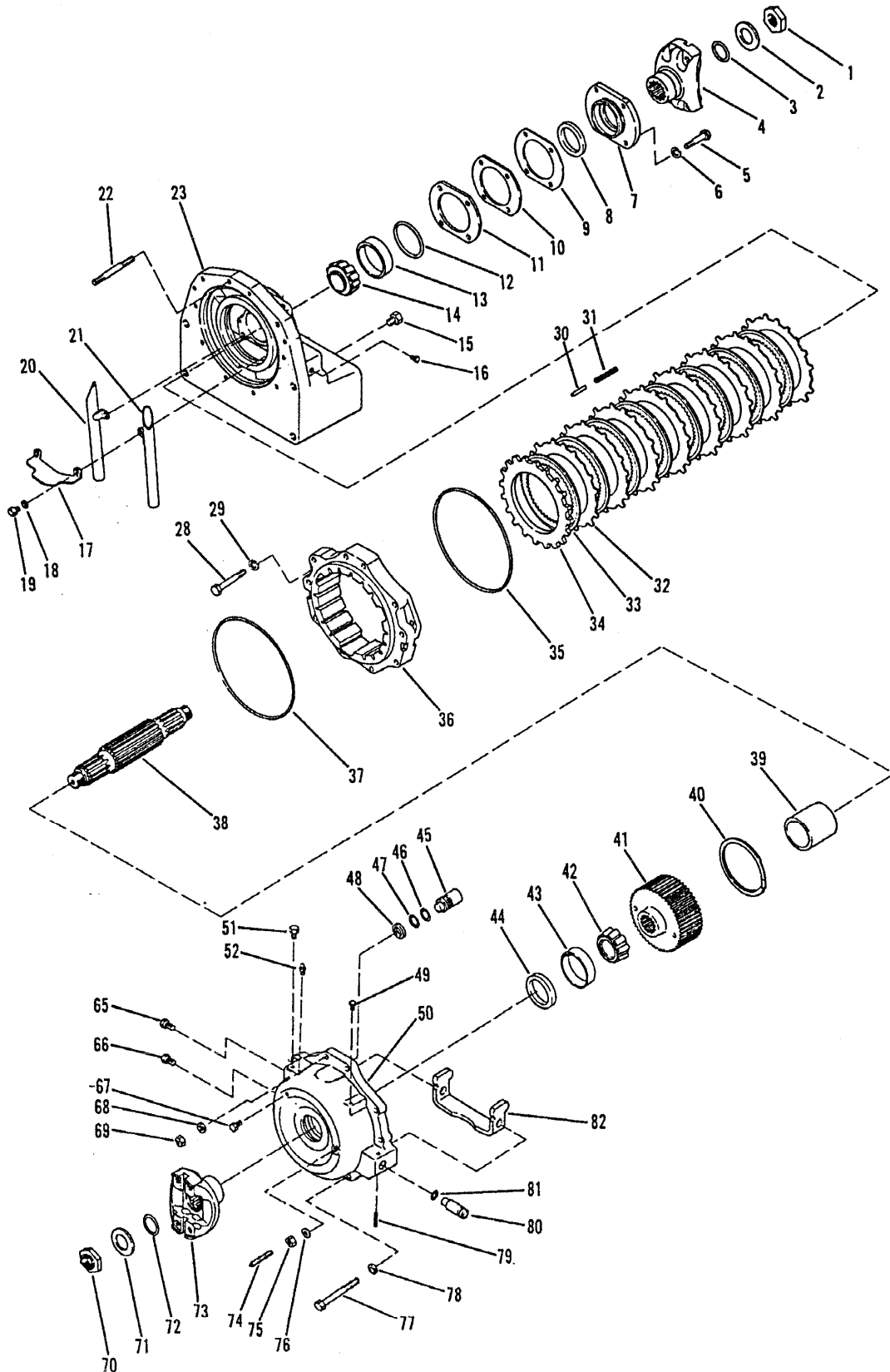
Parking Brake Control

| Item | Part No | Qty | Description | Item | Part No | Qty | Description |
|------|----------------|-----|------------------------------|------|-----------|-----|--------------------|
| | R395194 | | Parking Brake Control | | | | |
| 1 | R2512840 | 1 | . Switch | 13 | R645092 | 1 | . Link Spacer |
| 2 | R1549382 | 1 | . Wire Asm | 14 | R3951954 | 1 | . Lever Asm |
| 3 | R3221996 | 1 | . Grommet | 15 | R552914 | 2 | . Spacer |
| 4 | R1307115 | 1 | . Grommet | 16 | R1934050 | 1 | . Grommet |
| 5 | R13811191 | 2 | . Nut | 17 | R1935133 | 1 | . Brkt |
| 6 | R13811040 | 2 | . Capscrew | 18 | R1301610 | 2 | . Pipe |
| 7 | R13811190 | 2 | . Nut | 19 | R13811060 | 2 | . Capscrew |
| 8 | R13811017 | 2 | . Capscrew | 20 | R1930168 | 1 | . Lever Asm, Brake |
| 9 | R635373 | 2 | . Spacer | 21 | R13811038 | 2 | . Capscrew |
| 10 | R1301610 | 1 | . Pipe | 22 | R13811191 | 2 | . Nut |
| 11 | R1938764 | 1 | . Cable | 23 | R1933713 | 1 | . Mount |
| 12 | R544512 | 1 | . Cable Clamp | | | | |



Accumulator

| Item | Part No | Qty | Description | Item | Part No | Qty | Description |
|------|---------------|-----|--------------------|------|------------------------|-----|--------------------|
| | R10432 | | Accumulator | | | | |
| 1 | NSS | 1 | . Body | 8 | R11806 | 1 | . Gas Valve |
| 3 | R11804 | 1 | . Gas Cap | 9 | *a | 1 | . O-Ring |
| 4 | R11805 | 1 | . Piston | 10 | R11807 | 1 | . Protector, Valve |
| 5 | *a | 1 | . O-Ring | 11 | R11808 | 2 | . Screw |
| 6 | *a | 2 | . Teflon Ring | | | | |
| 7 | *a | 1 | . Seal | | | | |
| | | | | *a | Service Kit P/N R11809 | | |



Mid Mount Brake

Mid Mount Brake

| Item | Part No | Qty | Description | Item | Part No | Qty | Description |
|------|----------------|-----|------------------------|------|-----------|-----|--|
| | R238027 | | Mid-Mount Brake | | | | |
| 1 | R216053 | 1 | . Nut | 41 | R238341 | 1 | . Hub |
| 2 | R11993329 | 1 | . Washer | 42 | R12974965 | 1 | . Cone |
| 3 | R13802815 | 1 | . O-Ring | 43 | R12975022 | 1 | . Cup |
| 4 | R12607135 | 1 | . Flange | 44 | R225823 | 1 | . Seal |
| 5 | R13800215 | 4 | . Screw | 45 | R236892 | 3 | . Piston |
| 6 | R13800829 | 4 | . Washer | 46 | R13804005 | 3 | . O-Ring |
| 7 | R230690 | 1 | . Cap | 47 | R13804005 | 3 | . O-Ring |
| 8 | R225823 | 1 | . Seal | 48 | R231701 | 3 | . Ring |
| 9 | R217566 | A/R | . Shim - .004 In. | 49 | R238425 | 1 | . Seat |
| 10 | R217567 | A/R | . Shim - .007 In. | 50 | R238160 | 1 | . Cover |
| 11 | R217568 | A/R | . Shim - .010 In. | 51 | R238426 | 1 | . Seat |
| 12 | R13802777 | 1 | . Seal | 52 | R641297 | 2 | . Bleed Screw |
| 13 | R12975022 | 1 | . Cup | 65 | R13802605 | 1 | . Plug |
| 14 | R12974965 | 1 | . Cone | 66 | R13802605 | 1 | . Plug |
| 15 | R13801765 | 1 | . Plug | 68 | R13800829 | 2 | . Washer |
| 16 | R13810530 | 1 | . Plug | 69 | R13806800 | 2 | . Nut |
| 17 | R238071 | 2 | . Baffle Plate | 70 | R216053 | 1 | . Nut |
| 18 | R13800827 | 2 | . Washer | 71 | R11993329 | 1 | . Washer |
| 19 | R13800167 | 2 | . Screw | 72 | R13802815 | 1 | . Seal |
| 20 | R238164 | 1 | . Tube Asm, LH | 73 | R12607135 | 1 | . Flange |
| 21 | R238165 | 1 | . Tube Asm, RH | 74 | R231705 | 1 | . Screw |
| 22 | R238071 | 2 | . Stud | 75 | R13803675 | 1 | . Nut |
| 23 | R237843 | 1 | . Case | 76 | R231709 | 1 | . Washer |
| 28 | R13800217 | 2 | . Screw | 77 | R13806384 | 8 | . Screw |
| 29 | R13800829 | 2 | . Washer | 78 | R13800829 | 8 | . Washer |
| 30 | R231055 | 6 | . Pin | 79 | R13809787 | 2 | . Pin |
| 31 | R234834 | 6 | . Spring | 80 | R238163 | 2 | . Shaft |
| 32 | R4095205 | 8 | . Disc | 81 | R13802705 | 2 | . O-Ring |
| 33 | R4095206 | 8 | . Disc | 82 | R238163 | 1 | . Shaft |
| 34 | R231699 | 1 | . Plate | | | | |
| 35 | R13803670 | 1 | . O-Ring | *a | R238186 | | Case Asm (Includes Items 17 - 21, 23) |
| 36 | R231693 | 1 | . Housing | | | | |
| 37 | R13803670 | 1 | . O-Ring | *b | R238161 | | Cover Asm (Includes Items 45 - 48, 50,65,66, 74 - 76, 79 - 82) |
| 38 | R218504 | 1 | . Shaft | | | | |
| 39 | R237848 | 1 | . Spacer | | | | |
| 40 | R4095201 | 1 | . Ring | | | | |

Intentionally blank

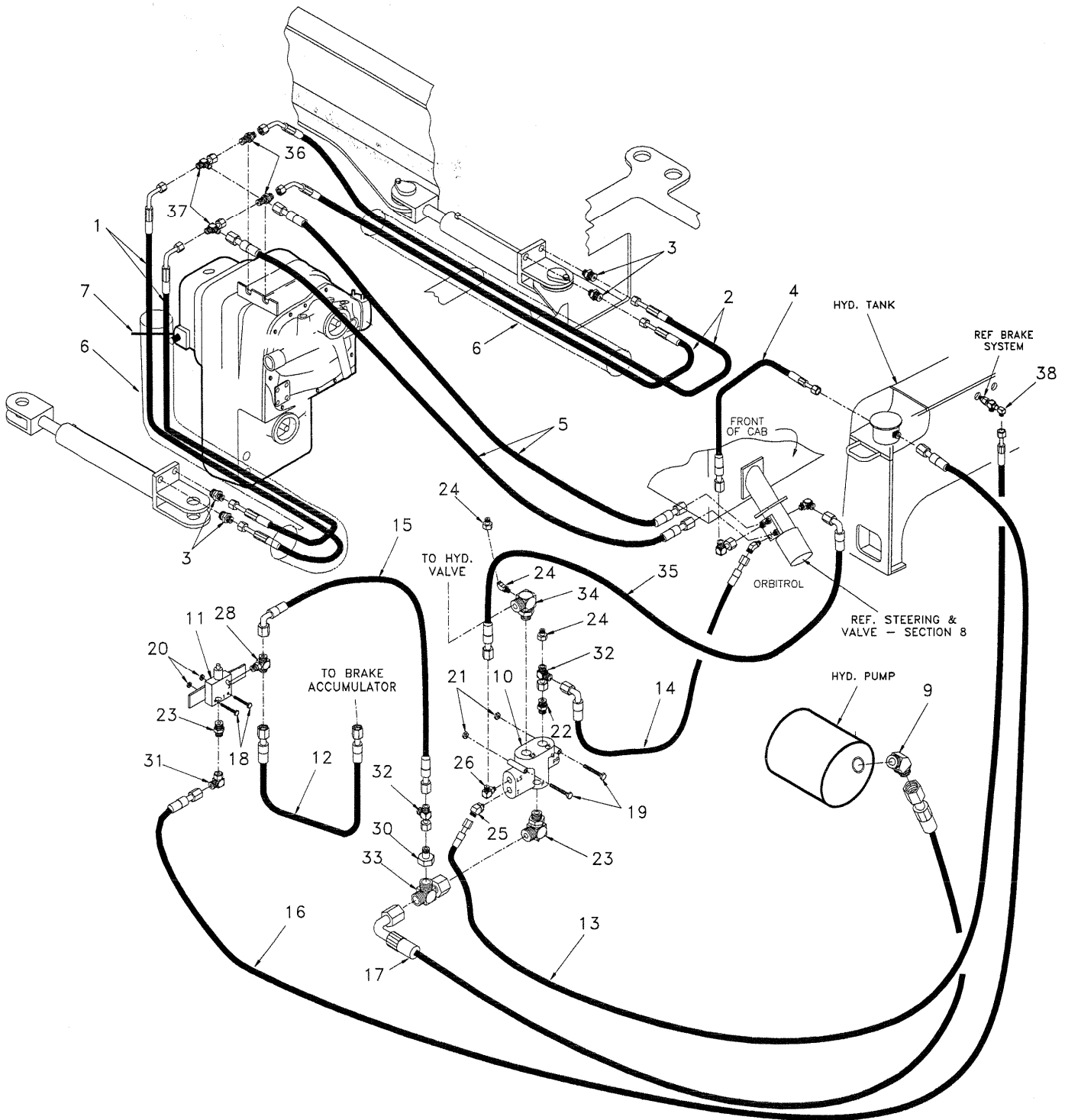
Section 6

Steering System

| Page No | Description |
|--------------|--------------------------------|
| 6 - 1 | Systems |
| 6 - 1.2 | Steering System Plumbing |
| 6 - 2 | Components |
| 6 - 2.1 | Steering Valve Assembly |
| 6 - 2.2 | Priority Valve Assembly |
| 6 - 2.3 | Steering Cylinder Installation |
| 6 - 3 | Miscellaneous |
| 6 - 3.1 | Steering Lock |

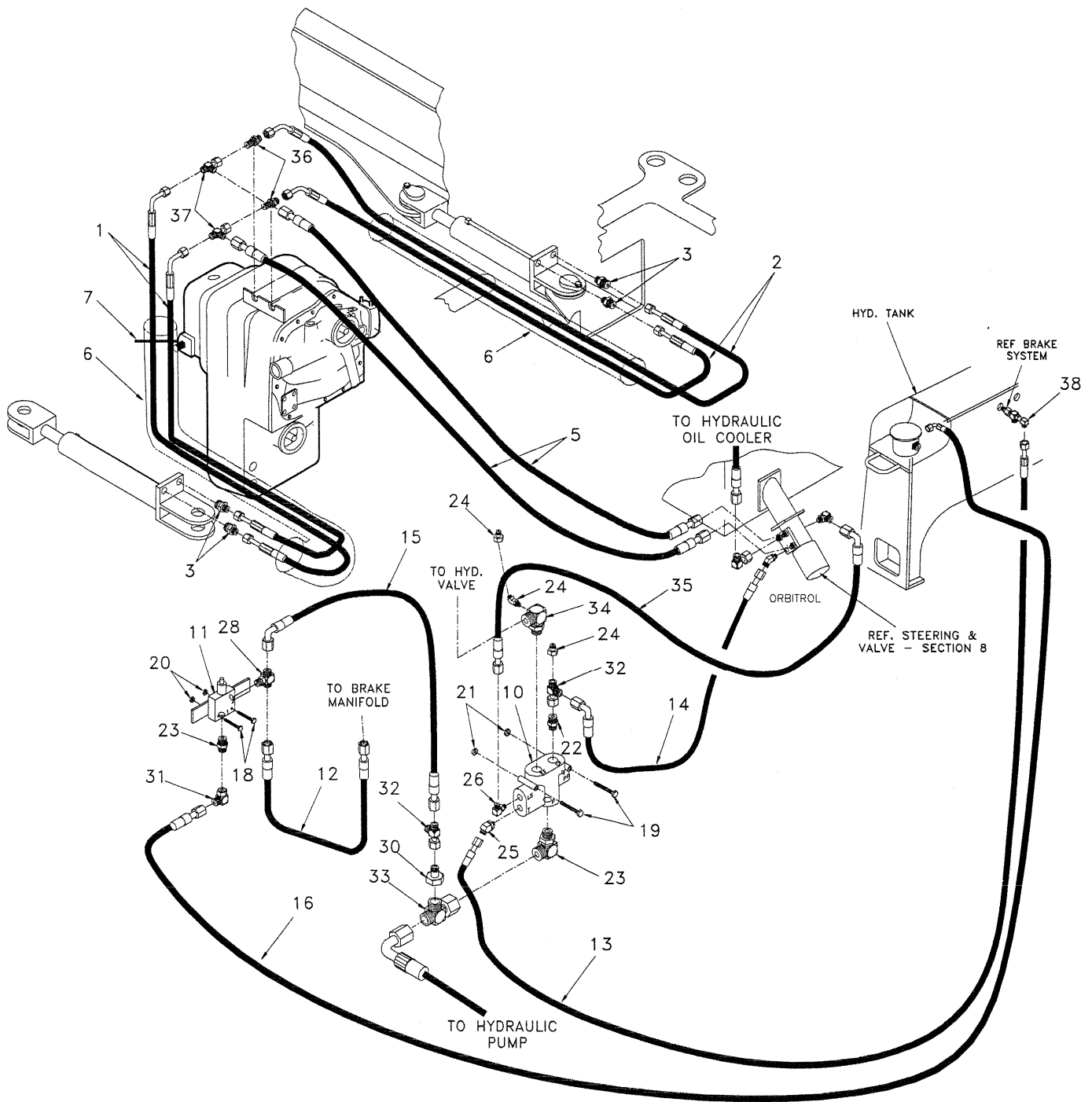
Intentionally blank

Intentionally blank



Steering System Plumbing

First used on Unit S/N 270



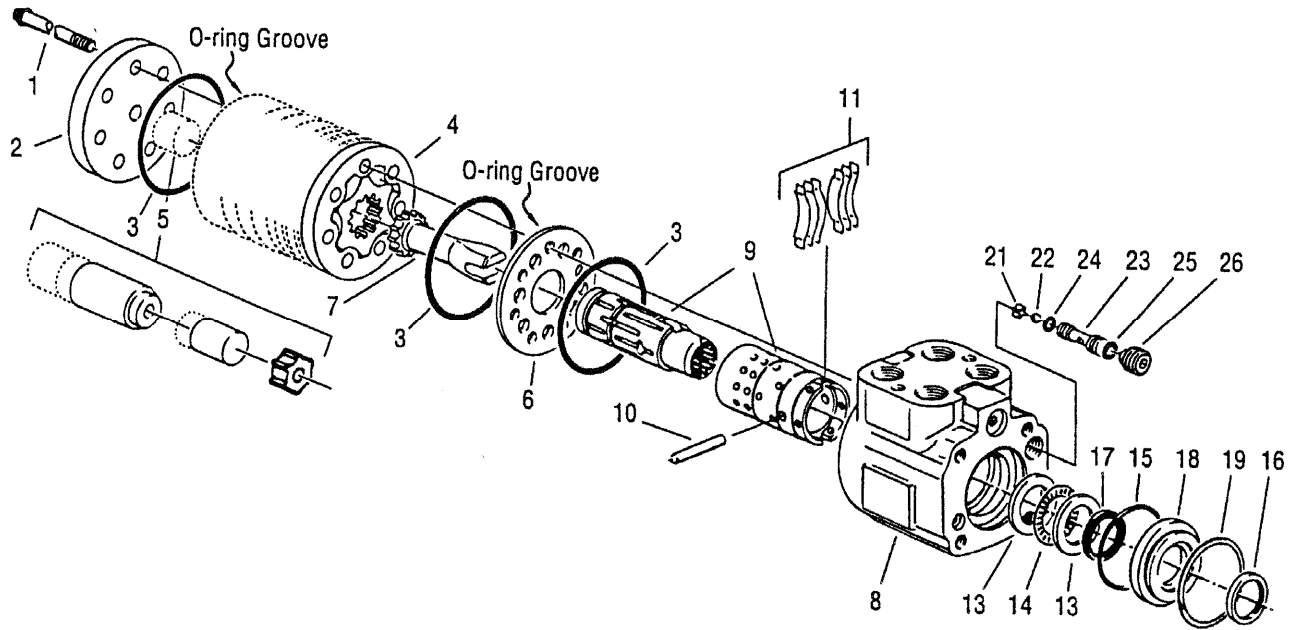
Steering System Plumbing

Steering System Plumbing

| Item | Part No | Qty | Description | Item | Part No | Qty | Description |
|------|------------------|-----|---------------------------------|------|---------|-----|------------------|
| | *a R13425 | | Steering System Plumbing | | | | |
| 1 | R12206 | 2 | . Hose Asm | 22 | R833114 | 1 | . Fitting |
| 2 | R12210 | 2 | . Hose Asm | 23 | R833123 | 1 | . Fitting |
| 3 | R833115 | 4 | . Fitting | 24 | R833200 | 1 | . Fitting |
| 4 | R12304 | 1 | . Hose Asm | 25 | R833203 | 1 | . Fitting |
| 5 | R12203 | 2 | . Hose Asm | 26 | R833251 | 1 | . Fitting |
| 6 | R13469 | A/R | . Sleeve | 27 | R833273 | 1 | . Fitting |
| 7 | R1736910 | 4 | . Strap | 28 | R833354 | 1 | . Fitting |
| 10 | * R10062 | 1 | . Valve, Priority (6 - 2.2) | 29 | R833700 | 1 | . Fitting |
| 11 | R10580 | 1 | . Cartridge, Relief Valve | 30 | R833707 | 1 | . Fitting |
| | R11788 | 1 | . Seal Kit | 31 | R833804 | 1 | . Fitting |
| 12 | R12101 | 1 | . Hose Asm | 32 | R834055 | 2 | . Fitting |
| 13 | R12102 | 1 | . Hose Asm | 33 | R834056 | 1 | . Fitting |
| 14 | R13427 | 1 | . Hose Asm | 34 | R10737 | 1 | . Fitting Rework |
| 15 | R12208 | 1 | . Hose Asm | 35 | R11607 | 1 | . Hose Asm |
| 16 | R11857 | 1 | . Hose Asm | 36 | R10597 | 2 | . Fitting |
| 18 | R13810998 | 2 | . Capscrew | 37 | R13959 | 2 | . Fitting |
| 19 | R13811024 | 2 | . Capscrew | 38 | R833801 | 1 | . Fitting |
| 20 | R13811189 | 2 | . Nut | | | | |
| 21 | R13811190 | 2 | . Nut | | | | |

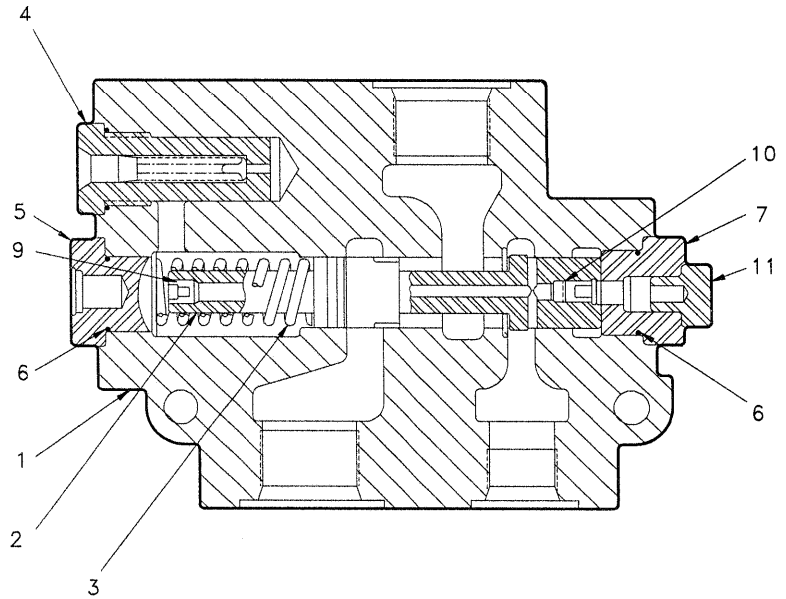
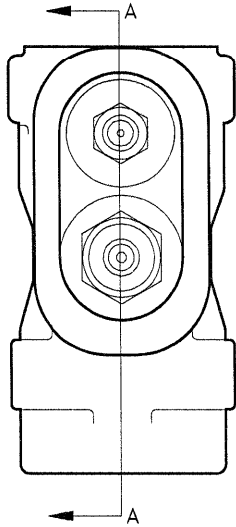
*a First used on Unit S/N 270

Intentionally blank



Steering Valve Assembly

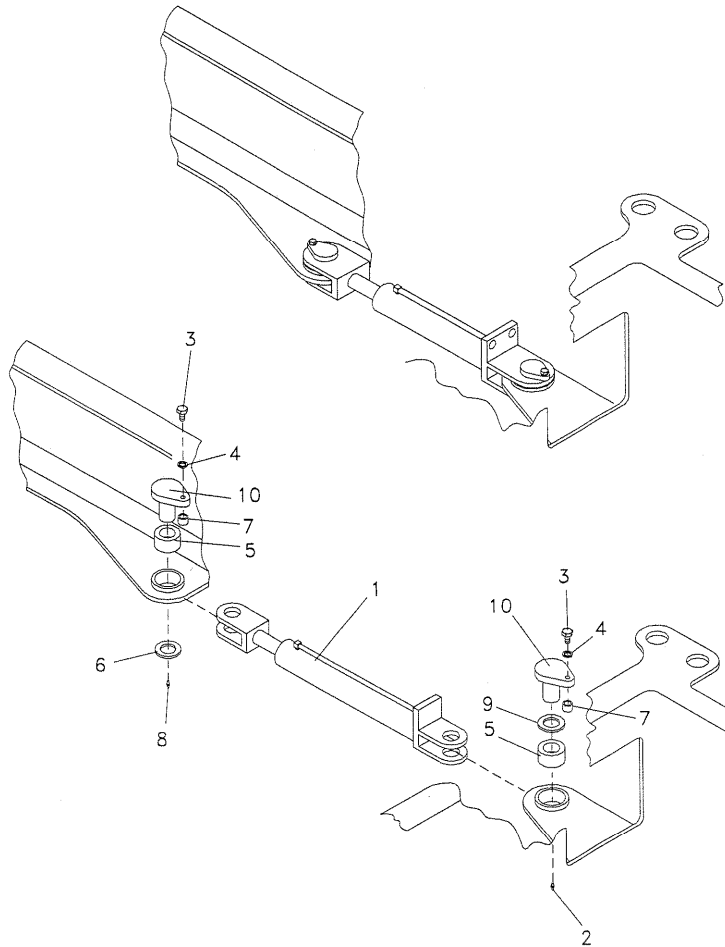
| Item | Part No | Qty | Description | Item | Part No | Qty | Description |
|---------------------------------------|----------|-----|------------------------|------|----------|-----|------------------------|
| R10063 Steering Valve Assembly | | | | | | | |
| 1 | R4010883 | 7 | . Capscrew | 15 | R4010899 | 1 | . O-Ring |
| 2 | R4010884 | 1 | . Cap | 16 | R4010896 | 1 | . Seal |
| 3 | R4010885 | 3 | . Seal | 17 | R4010895 | 1 | . O-Ring |
| 4 | R4010886 | 1 | . Gerotor Sub-Assembly | 18 | R4010893 | 1 | . Retainer, Front |
| 5 | R4010887 | 1 | . Spacer | 19 | R4010897 | 1 | . Ring, Retainer |
| 6 | R4010888 | 1 | . Wear Plate | 21 | R4010900 | 1 | . Retainer, Check Ball |
| 7 | R4010889 | 1 | . Drive | 22 | R4010901 | 1 | . Check Ball |
| 8 | NSS | 1 | . Housing | 23 | R4010902 | 1 | . Seat |
| 9 | NSS | 1 | . Sleeve, Control | 24 | R4010903 | 1 | . O-Ring |
| | NSS | 1 | . . Spool, Control | 25 | R4010904 | 1 | . O-Ring |
| 10 | NSS | 1 | . Pin | 26 | R4010905 | 1 | . Set Screw |
| 11 | NSS | 1 | . Spring, Centering | | | | |
| 13 | R4010892 | 2 | . Race, Bearing | | | | Seal Kit P/N R4010917 |
| 14 | R4010891 | 1 | . Bearing | | | | |



SECTION A-A

Priority Valve Assembly

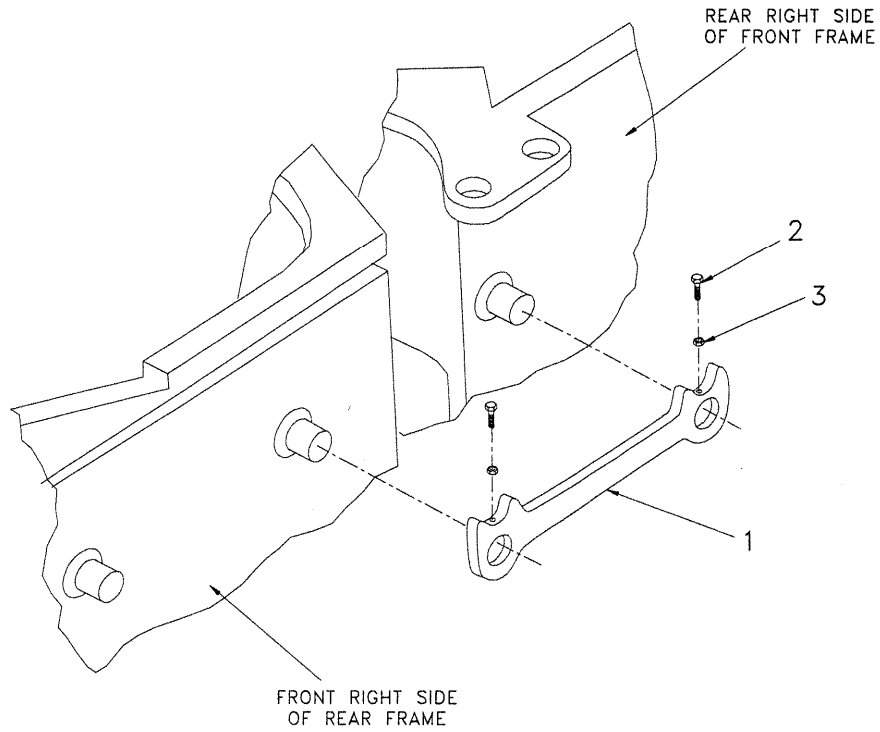
| Item | Part No | Qty | Description | Item | Part No | Qty | Description |
|---------------|-----------|-----|---------------------------|--------------------------------|-----------|-----|-------------|
| R10062 | | | | Priority Valve Assembly | | | |
| 1 | R04010906 | 1 | . Housing | 6 | R04010911 | 2 | . O-Ring |
| 2 | R04010907 | 1 | . Spool | 7 | R04010912 | 1 | . Plug |
| 3 | R04010908 | 1 | . Spring | 9 | R04010914 | 1 | . Screw |
| 4 | R04010909 | 1 | . Cartridge, Relief Valve | 10 | R04010915 | 1 | . Screw |
| 5 | R04010910 | 1 | . Plug | 11 | R04010916 | 1 | . Plug |



Steering Cylinder Installation

| Item | Part No | Qty | Description | Item | Part No | Qty | Description |
|--|------------|-----|--------------------------------|------|-----------|-----|-------------|
| R009 Steering Cylinder Installation | | | | | | | |
| 1 | * R2552361 | 2 | . Hydraulic Cylinder (9 - 4.3) | 6 | R1928772 | 2 | . Washer |
| 2 | R13801339 | 2 | . Fitting, Lube | 7 | R2529808 | 4 | . Spacer |
| 3 | R13811074 | 4 | . Capscrew | 8 | R13804237 | 2 | . Fitting |
| 4 | R13811433 | 4 | . Washer | 9 | R1920223 | 4 | . Washer |
| 5 | R1574466 | 4 | . Bearing | 10 | R12574706 | 4 | . Pin Asm |

Intentionally blank



Steering Lock

| Item | Part No | Qty | Description | Item | Part No | Qty | Description |
|------|-------------|-----|----------------------|------|---------|-----|-------------|
| | R012 | | Steering Lock | | | | |
| 1 | R1938397 | 1 | . Frame Lock | | | | |
| 2 | R13811036 | 2 | . Capscrew | | | | |
| 3 | R13809556 | 2 | . Nut | | | | |

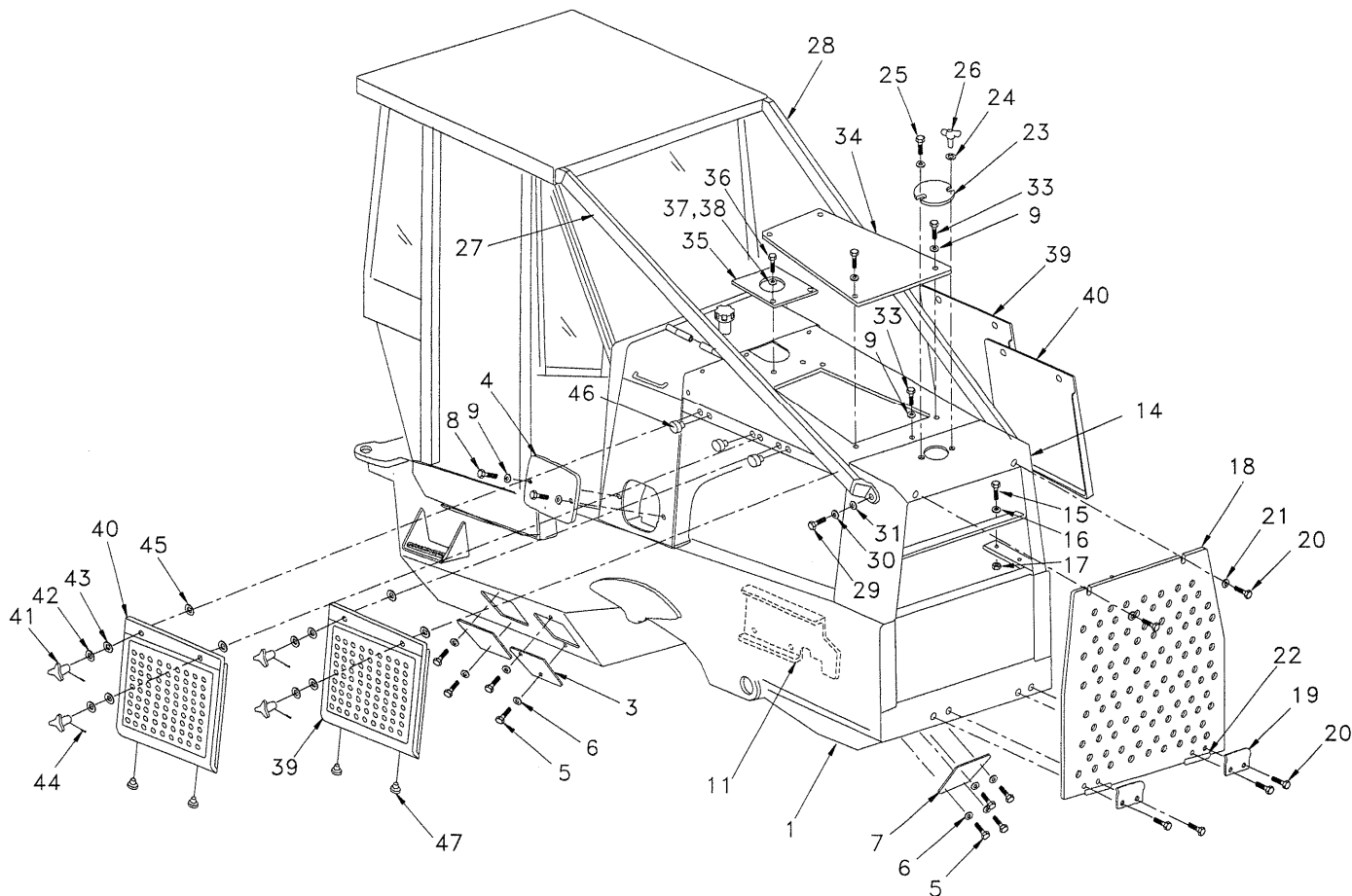
Intentionally blank

Section 7

Frame

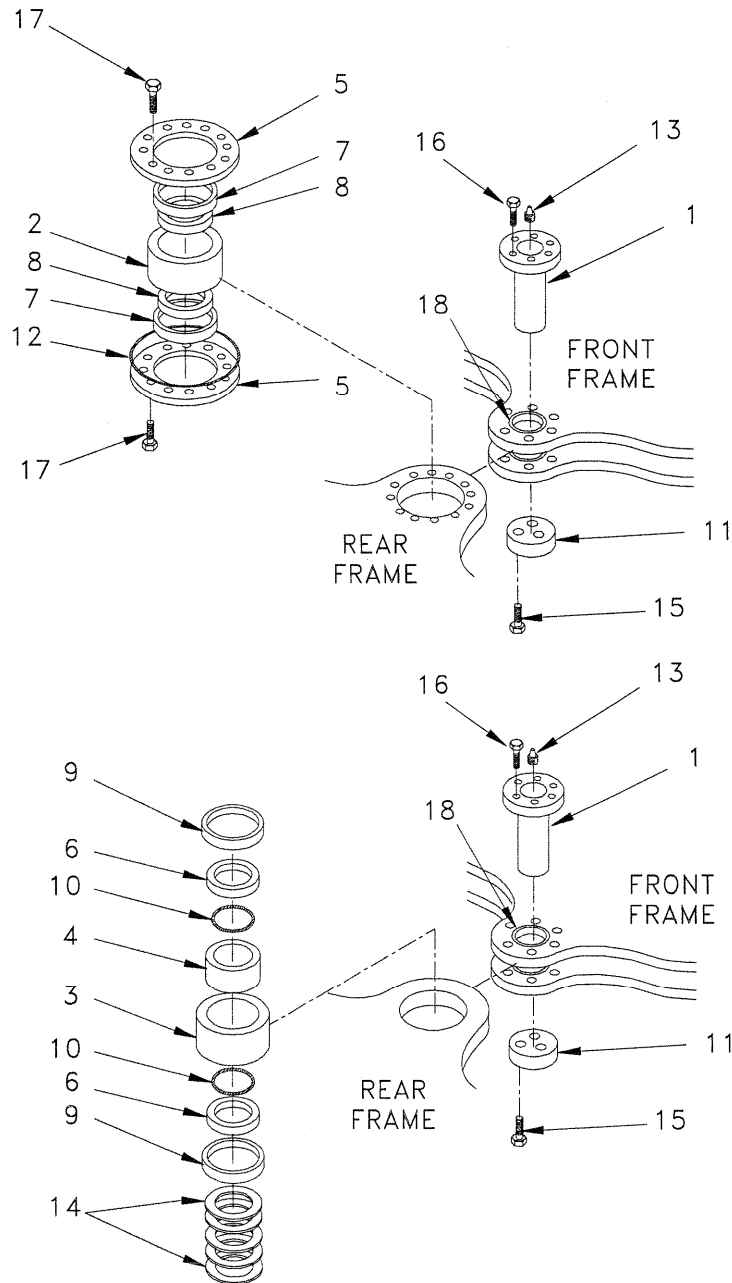
| <u>Page No</u> | <u>Description</u> |
|----------------|----------------------|
| 7 - 1 | Frame |
| 7 - 1.1 | Front Frame Assembly |
| 7 - 1.2 | Hinge Assembly |
| 7 - 1.3 | Rear Frame Assembly |
| 7 - 1.4 | Cradle Assembly |
| 7 - 2 | Miscellaneous |

Intentionally blank



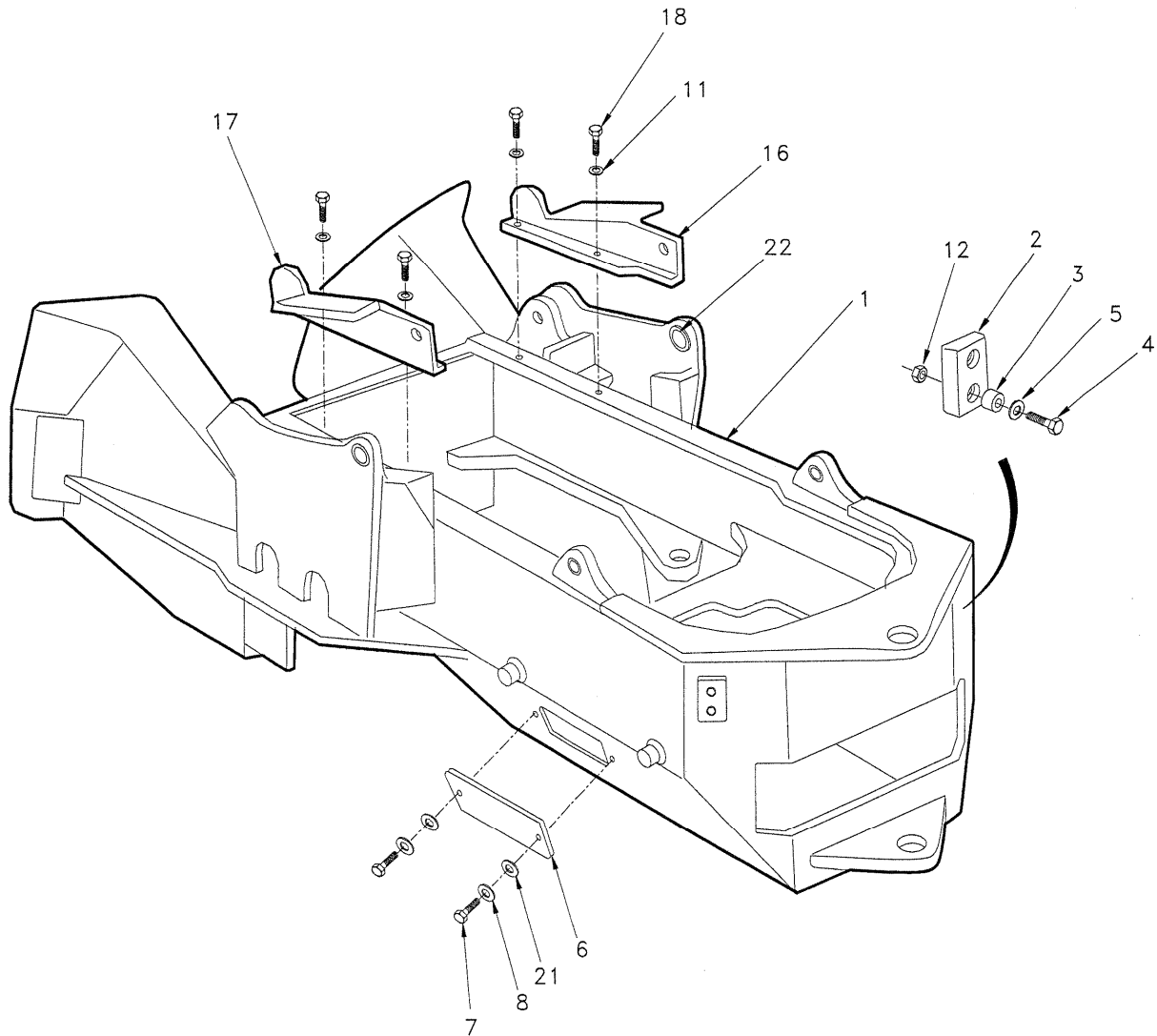
Front Frame Assembly

| Item | Part No | Qty | Description | Item | Part No | Qty | Description |
|------|---------------|-----|--------------------|------|-----------|-----|----------------------|
| | R11812 | | Front Frame | | | | |
| 1 | R12600158 | 1 | . Frame Wldmt | 25 | R13811035 | 1 | . Capscrew |
| 3 | R1937203 | 4 | . Cover Wldmt | 26 | R1915267 | 1 | . Capscrew |
| 4 | R10682 | 2 | . Plate | 27 | R10244 | 1 | . Sweep Wldmt, RH |
| 5 | R13811122 | 12 | . Capscrew | 28 | R10251 | 1 | . Sweep Wldmt, LH |
| 6 | R13811435 | 12 | . Washer | 29 | R13811145 | 2 | . Capscrew |
| 7 | R1937917 | 1 | . Cover Asm | 30 | R13811457 | 2 | . Washer |
| 8 | R13811074 | 4 | . Capscrew | 31 | R13812518 | 2 | . Washer |
| 9 | R13811433 | 14 | . Washer | 32 | R10530 | 1 | . Hood Wldmt |
| 10 | R12571289 | 1 | . Plate, LH | 33 | R13811073 | 12 | . Capscrew |
| 11 | R12571290 | 1 | . Plate, RH | 34 | R10275 | 1 | . Plate |
| 12 | R13812514 | 8 | . Washer | 35 | R10714 | 1 | . Cover |
| 13 | R13810858 | 8 | . Capscrew | 36 | R13810993 | 4 | . Capscrew |
| 14 | R10533 | 1 | . Hardnose Wldmt | 37 | R13811443 | 2 | . Washer |
| 15 | R13811124 | 4 | . Capscrew | 38 | R13811189 | 2 | . Nut |
| 16 | R10815 | 4 | . Washer | 39 | R1939301 | 2 | . Panel Wldmt, Grill |
| 17 | R13811195 | 4 | . Nut | 40 | R1939302 | 2 | . Panel Wldmt, Grill |
| 18 | R1932903 | 1 | . Grille Wldmt | 41 | R1931189 | 8 | . Knob Asm |
| 19 | R10556 | 2 | . Strap | 42 | R1939327 | 8 | . Washer |
| 20 | R13811075 | 6 | . Capscrew | 43 | R13811451 | 8 | . Washer |
| 21 | R2354558 | 2 | . Washer | 44 | R13809742 | 8 | . Pin, Spring |
| 22 | R1932401 | 2 | . Bracket | 45 | R13811450 | 8 | . Washer |
| 23 | R1935185 | 1 | . Plate | 46 | R1939324 | 8 | . Bumper |
| 24 | R13811431 | 2 | . Washer | 47 | R1939323 | 8 | . Bumper, Snap-in |



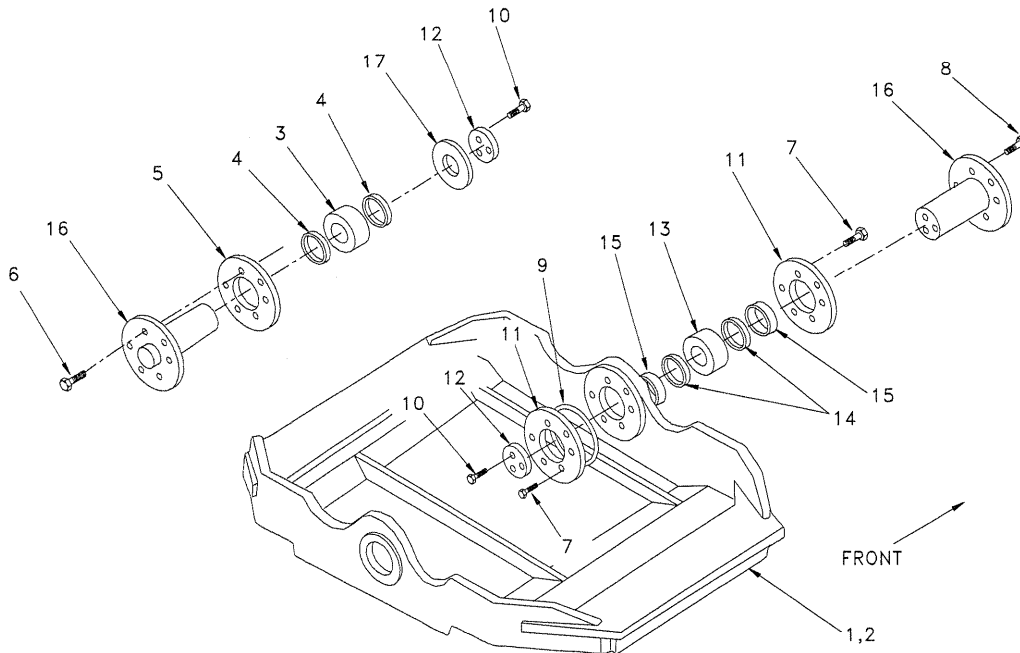
Hinge Joint Assembly

| Item | Part No | Qty | Description | Item | Part No | Qty | Description |
|------|---------------|-----|-----------------------------|------|-----------|-----|-----------------|
| | R11821 | | Hinge Joint Assembly | | | | |
| 1 | R1939283 | 2 | . Pin Asm | 10 | R13802768 | 2 | . O-ring |
| 2 | R1938957 | 1 | . Bearing | 11 | R1932741 | 2 | . End Plate |
| 3 | R1932735 | 1 | . Sleeve | 12 | R13808987 | 1 | . O-Ring |
| 4 | R4019726 | 1 | . Bearing, Spherical | 13 | R13801339 | 2 | . Fitting, Lube |
| 5 | R1932736 | 2 | . Retainer | 14 | R1938177 | 5 | . Shim |
| 6 | R1932734 | 2 | . Wear Ring | 15 | R13809441 | 6 | . Capscrew |
| 7 | R1939171 | 2 | . Seal | 16 | R13807033 | 12 | . Capscrew |
| 8 | R1939093 | 2 | . Sleeve | 17 | R13803895 | 24 | . Capscrew |
| 9 | R2516951 | 2 | . Seal | 18 | R1932733 | 1 | . Bushing |



Rear Frame Assembly

| Item | Part No | Qty | Description | Item | Part No | Qty | Description |
|------|---------------|-----|----------------------------|------|-----------|-----|-------------|
| | R11813 | | Rear Frame Assembly | | | | |
| 1 | R10509 | 1 | . Frame Wldmt | 12 | R13811177 | 4 | . Nut |
| 2 | R1903679 | 2 | . Steer Stop | 16 | R1935972 | 1 | . Cover, LH |
| 3 | R1903680 | 4 | . Spacer | 17 | R1935971 | 1 | . Cover, RH |
| 4 | R13811076 | 4 | . Capscrew | 18 | R13811146 | 8 | . Capscrew |
| 5 | R13811433 | 4 | . Washer | 20 | R1937647 | 4 | . Grommet |
| 6 | R1937203 | 2 | . Cover Wldmt | 21 | R13809066 | 4 | . Washer |
| 7 | R13811122 | 4 | . Capscrew | 22 | R1574466 | 4 | . Bearing |
| 8 | R13811435 | 4 | . Washer | | | | |



Cradle Assembly

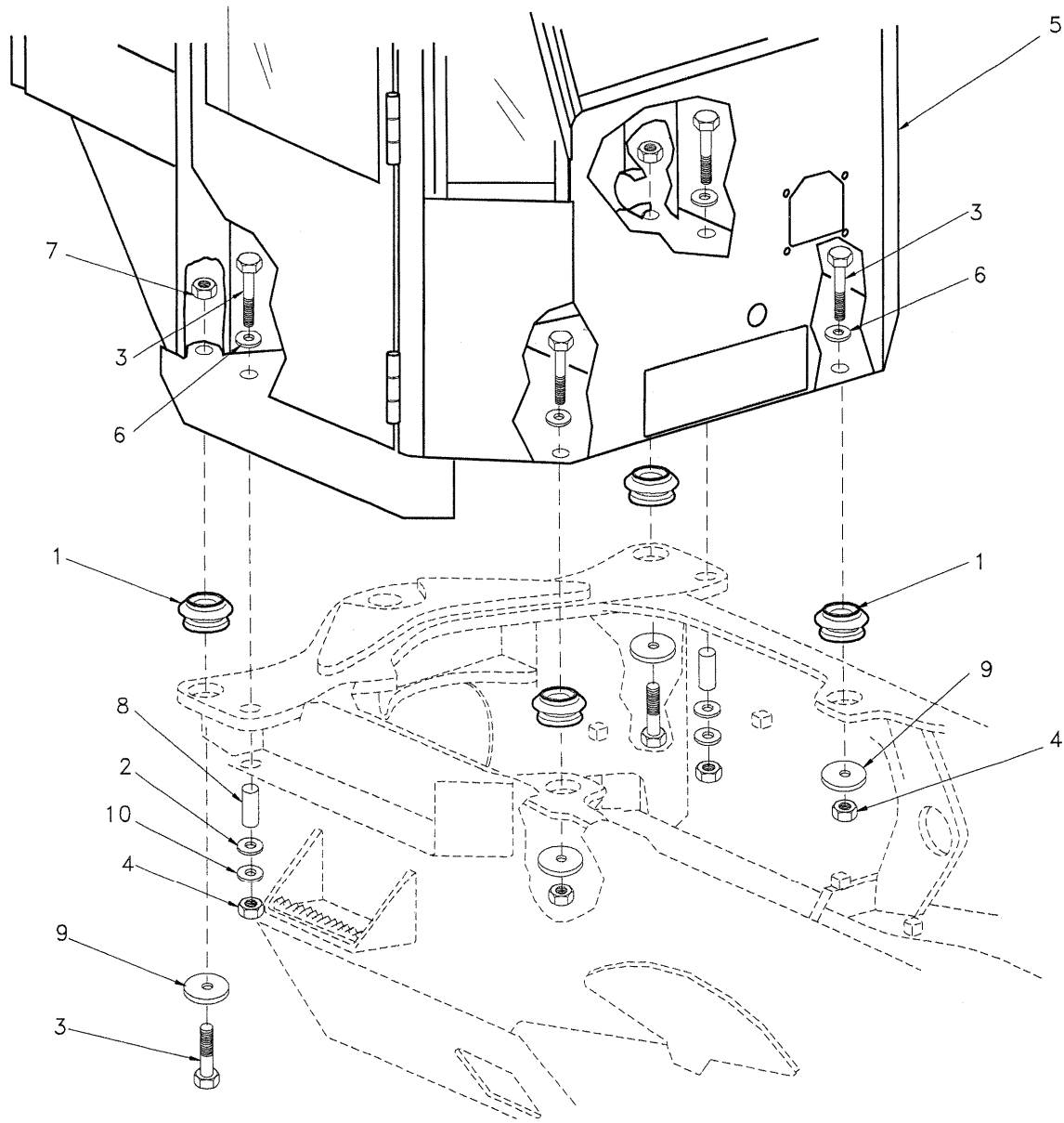
| Item | Part No | Qty | Description | Item | Part No | Qty | Description |
|------|-----------------|-----|------------------------|------|-----------|-----|-------------|
| | RPL40143 | | Cradle Assembly | | | | |
| 1 | R10508 | 1 | . Cradle Bushing Asm | 10 | R13809441 | 6 | . Capscrew |
| 2 | R105082 | 1 | .. Cradle Widmnt | 11 | R1932736 | 2 | . Plate |
| 3 | R10487 | 1 | .. Bushing | 12 | R1932741 | 2 | . End Plate |
| 4 | R10489 | 2 | .. Seal | 13 | R1938957 | 1 | . Bearing |
| 5 | R10623 | 1 | . Plate | 14 | R1939093 | 2 | . Sleeve |
| 6 | R10716 | 6 | . Capscrew | 15 | R1939171 | 2 | . Seal |
| 7 | R13803895 | 24 | . Capscrew | 16 | R1939283 | 2 | . Pin Asm |
| 8 | R13807033 | 6 | . Capscrew | 17 | R1939502 | 4 | . Shim |
| 9 | R13808987 | 1 | . O-Ring | | | | |

Section 8

Cab

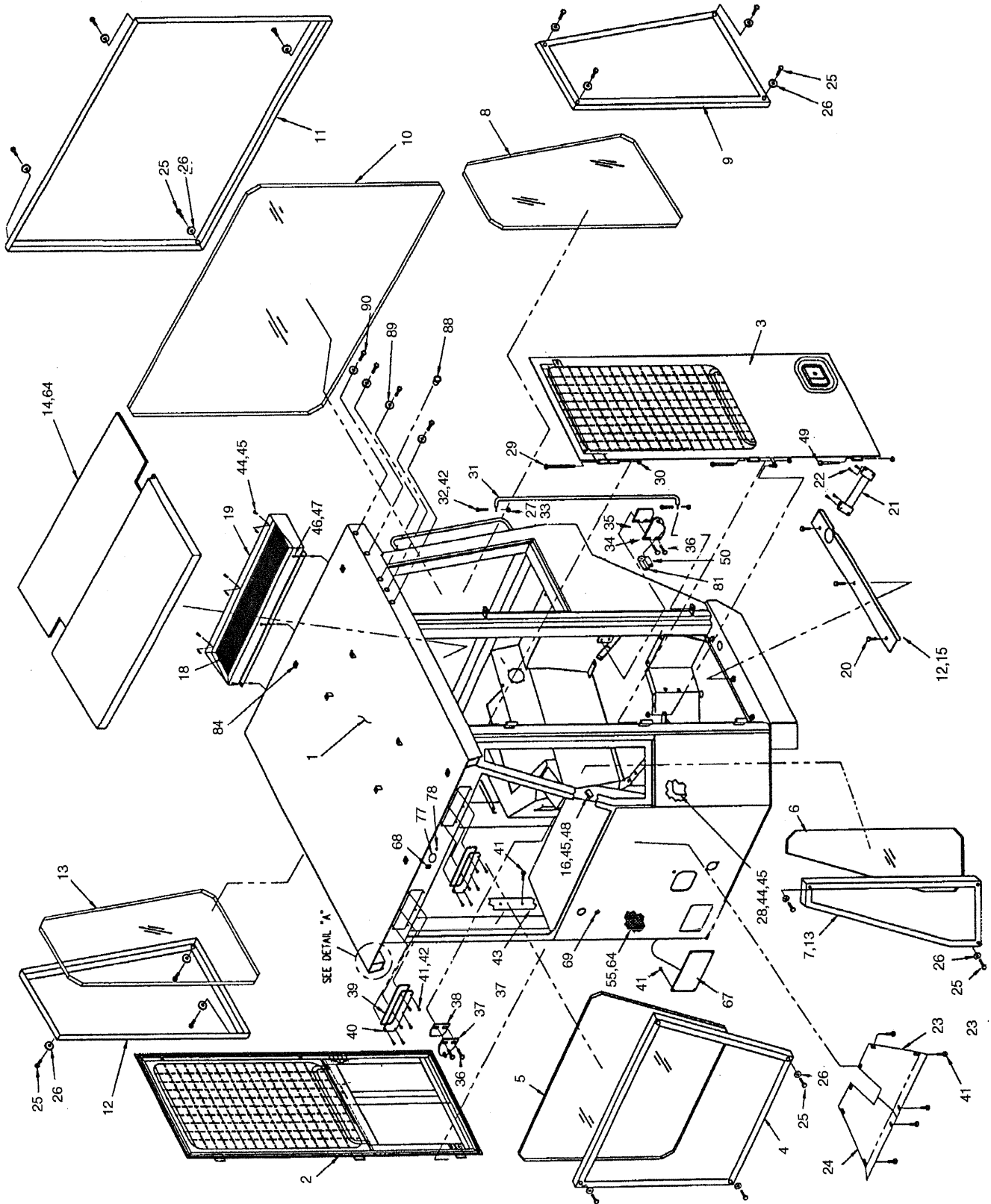
| Page No | Description |
|--------------|-----------------------------------|
| 8 - 1 | Basic Structure |
| 8 - 1.1 | Cab Installation |
| 8 - 1.2 | Enclosed Cab |
| 8 - 1.6 | Door Assembly - RH |
| 8 - 1.8 | Door Assembly - LH |
| 8 - 1.10 | Screened Cab |
| 8 - 1.14 | Door Assembly - RH |
| 8 - 1.16 | Door Assembly - LH |
| 8 - 1.18 | Overhead Control Panel |
| 8 - 2 | Instruments & Controls |
| 8 - 2.1 | Accelerator Pedal Installation |
| 8 - 2.2 | Steering and Valve |
| 8 - 2.4 | Instrument Panel - Dash |
| 8 - 2.6 | Instrument Panel - Overhead |
| 8 - 2.8 | Transmission Shift Control |
| 8 - 2.9 | Brake Pedal Installation |
| 8 - 3 | Miscellaneous |
| 8 - 3.1 | Fire Extinguisher Installation |
| 8 - 3.2 | Air Conditioning/Heater Install. |
| 8 - 3.4 | Air Conditioner/Heater |
| 8 - 3.5 | Condenser |
| 8 - 3.6 | Heater Installation |
| 8 - 3.7 | Heater Assembly |
| 8 - 3.8 | Battery Disconnect Switch |
| 8 - 3.9 | Seat Installation |
| 8 - 3.10 | Seat Assembly |
| 8 - 3.12 | Seat Assembly - Suspension |
| 8 - 3.14 | Headlight Installation |
| 8 - 3.15 | Wiper & Washer Installation |
| 8 - 3.16 | Auxiliary Lighting |

Intentionally blank



Cab Installation

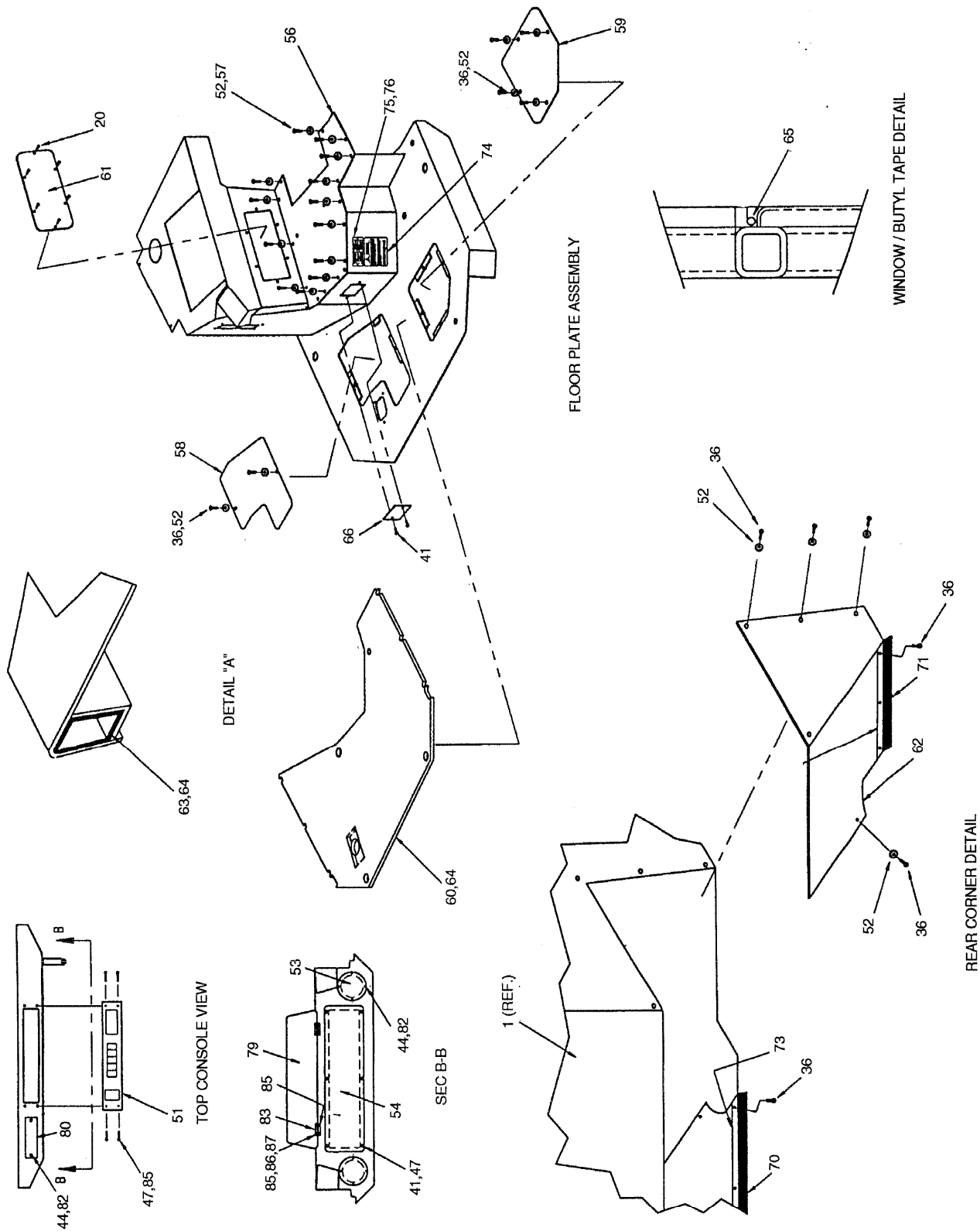
| Item | Part No | Qty | Description | Item | Part No | Qty | Description |
|------------------------------|----------|-----|----------------------------|------|-----------|-----|-------------|
| R007 Cab Installation | | | | | | | |
| 1 | R13601 | 4 | . Iso-Mount | 6 | R13813326 | 4 | . Washer |
| 2 | R10004 | 2 | . Washer | 7 | R10006 | 2 | . Nut |
| 3 | R10017 | 6 | . Screw | 8 | R10007 | 2 | . Sleeve |
| 4 | R10018 | 4 | . Nut | 9 | R10001 | 4 | . Washer |
| 5 | * R10543 | 1 | . Cab, Enclosed (8 - 1.3) | 10 | R10003 | 2 | . Washer |
| | * R10544 | 1 | . Cab, Screened (8 - 1.11) | | | | |



Enclosed Cab

Enclosed Cab

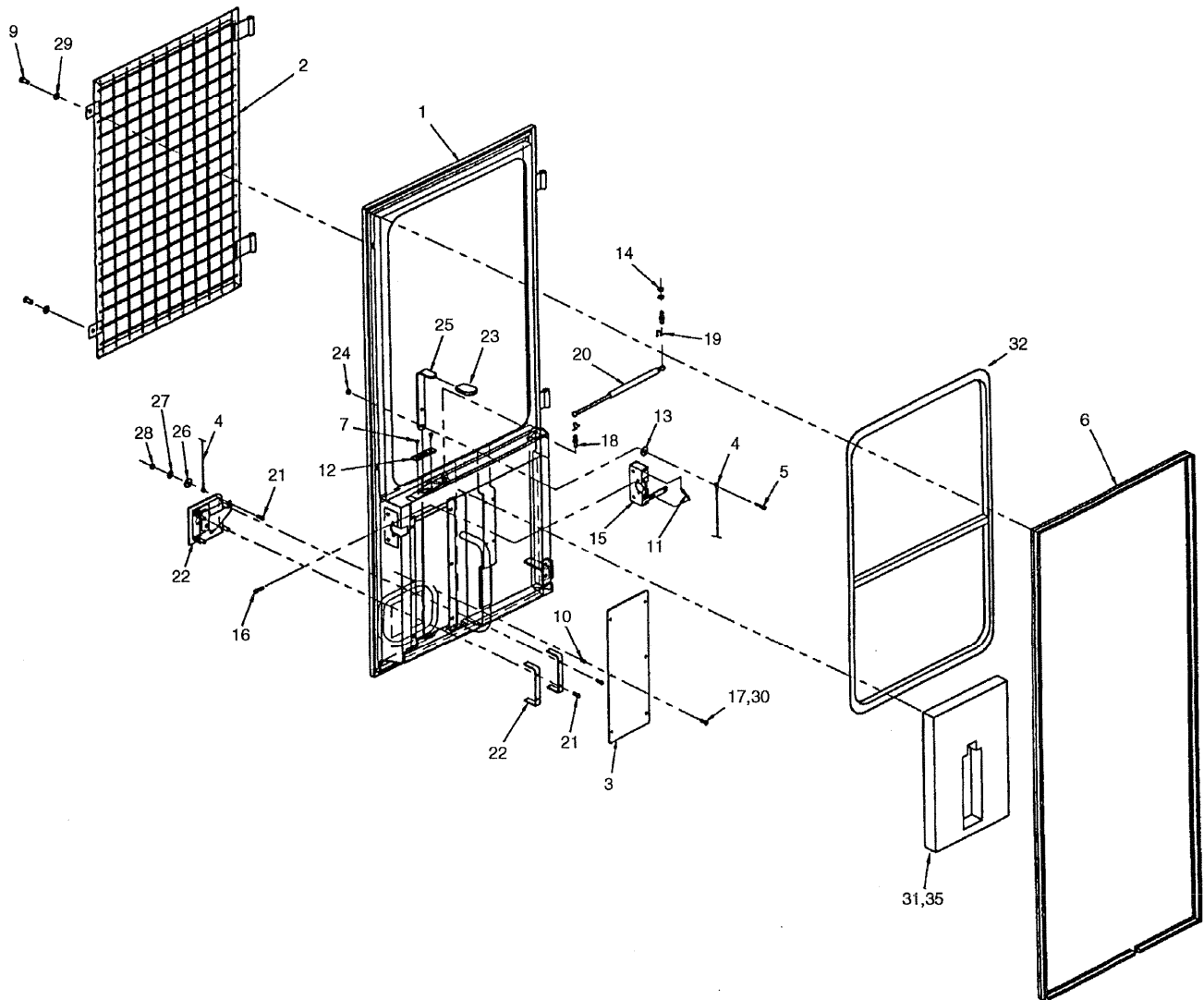
| Item | Part No | Qty | Description | Item | Part No | Qty | Description |
|------|---------------|-----|---------------------------------|------|---------|-----|-----------------------------------|
| | R10543 | | Enclosed Cab | | | | |
| 1 | R13001 | 1 | . Cab Weldment | 35 | R13035 | 1 | . Shim, Striker Plate |
| 2 | R13002 | 1 | . Door Assembly - RH | 37 | R13037 | 1 | . Weldment, Striker Bracket - RH |
| 3 | R13003 | 1 | . Door Assembly - LH | 38 | R13038 | 1 | . Shim, Striker |
| 4 | R13004 | 1 | . Front Window Frame | 39 | R13039 | A/R | . Foam |
| 5 | R13005 | 1 | . Front Window | 40 | R13040 | 2 | . Lens, Front Light |
| 6 | R13006 | 2 | . Front Side Window | 41 | R13041 | 54 | . Bolt |
| 7 | R13007 | 1 | . Frame, Front Side Window - LH | 42 | R13042 | 4 | . Washer |
| 8 | R13008 | 2 | . Rear Side Window | 43 | R13043 | 1 | . Wire Harness Cover |
| 9 | R13009 | 1 | . Weldment, Frame - LH | 44 | R13044 | 17 | . Screw |
| 10 | R13010 | 1 | . Rear Window | 45 | R13045 | 17 | . Screw |
| 11 | R13011 | 1 | . Frame, Rear Window | 46 | R13046 | 4 | . Bolt |
| 12 | R13012 | 1 | . Weldment, Frame - RH | 47 | R13047 | 26 | . Rivnut |
| 13 | R13013 | 1 | . Frame, Front Side Window | 48 | R13048 | 2 | . Bolt |
| 14 | R13150 | 1 | . Headliner | 49 | R13049 | 2 | . Bolt |
| 15 | R13015 | 1 | . Thresold - RH | 50 | R13050 | 2 | . Striker |
| 16 | R13016 | 1 | . Ash Tray | 54 | R13054 | 1 | . Front Console Cover |
| 17 | R13017 | 1 | . Threshold - LH | 55 | R13055 | 1 | . Front Insulation |
| 18 | R13018 | 1 | . Air Filter | 64 | R13064 | A/R | . Spray Adhesive |
| 19 | R13019 | 1 | . Weldment, Filter Door | 67 | R13067 | 1 | . Cover, Lower Front |
| 20 | R13139 | 6 | . Bolt | 68 | R13068 | 1 | . Washer Nozzle Kit |
| 21 | R13021 | 2 | . Door Retaining Strap | 69 | R13069 | 1 | . Grommet |
| 23 | R13023 | 1 | . Cover, Dash - LH | 77 | R13077 | 1 | . Plug |
| 24 | R13024 | 1 | . Cover, Dash - RH | 78 | R13078 | 1 | . Plug |
| 25 | R13025 | 24 | . Bolt | 81 | R13081 | 2 | . Striker Gaurd |
| 26 | R13026 | 24 | . Washer | 84 | R13084 | 4 | . Screw |
| 27 | R13027 | 4 | . Washer | 88 | R13088 | 2 | . Plug |
| 28 | R13028 | 1 | . Operators Manual Holder | 89 | R13089 | 8 | . Washer |
| 29 | R13029 | 4 | . Bolt | 90 | R13090 | 8 | . Bolt |
| 30 | R13030 | 6 | . Nut | 91 | R13145 | 4 | . Nut |
| 31 | R13031 | 2 | . Grab Handle, Door | 92 | R13144 | 1 | . Cover, Valve Console |
| 32 | R13140 | 4 | . Bolt | 93 | R13143 | 2 | . Spacer Block |
| 33 | R13033 | 4 | . Nut | 94 | R13148 | A/R | . Seal |
| 34 | R13034 | 1 | . Striker Weldment - LH | 95 | R13149 | 2 | . Insulation, Outside Front Panel |



Enclosed Cab

Enclosed Cab

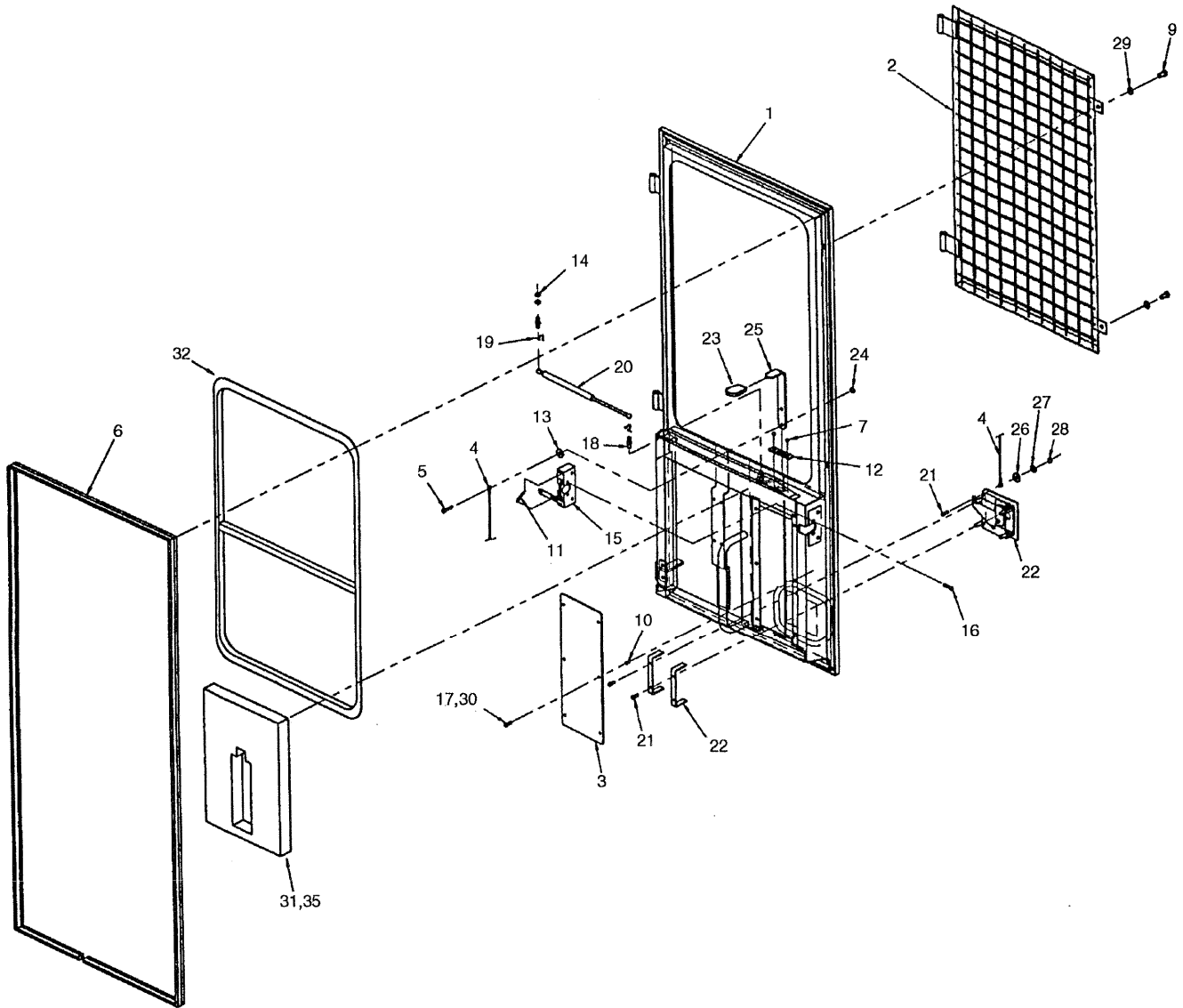
| Item | Part No | Qty | Description | Item | Part No | Qty | Description |
|------|---------------|-----|--------------------------------|------|---------|-----|----------------------|
| | R10543 | | Enclosed Cab | | | | |
| 20 | R13139 | 6 | . Bolt | 65 | R13065 | A/R | . Tape |
| 41 | R13041 | 54 | . Bolt | 66 | R13066 | 1 | . Cover, Seat Suport |
| 44 | R13044 | 17 | . Screw | 70 | R13070 | 1 | . Neoprene |
| 47 | R13047 | 26 | . Rivnut | 71 | R13071 | 1 | . Neoprene |
| 51 | * R13051 | 1 | . Control Panel Asm (8 - 1.18) | 72 | R13072 | 1 | . Strip |
| 52 | R13052 | 31 | . Washer | 73 | R13073 | 1 | . Strip |
| 53 | R13053 | 2 | . Cover, Speaker | 74 | R13074 | 1 | . Decal |
| 54 | R13054 | 1 | . Front Console Cover | 75 | R13075 | 1 | . Serial No. Tag |
| 56 | R13056 | 1 | . Seat Plate Weldment | 76 | R13076 | 2 | . Pop Rivet |
| 57 | R13057 | 44 | . Bolt | 79 | R13079 | 1 | . Visor |
| 58 | R13058 | 1 | . Cover, Floor | 80 | R13080 | 1 | . Cover, Radio |
| 59 | R13059 | 1 | . Cover, Floor | 82 | R13082 | 2 | . Nut |
| 60 | R13060 | 1 | . Floor Mat | 83 | R13083 | 2 | . Hinge |
| 61 | R13061 | 1 | . Panel, Side Console | 84 | R13084 | 4 | . Screw |
| 62 | R13062 | 1 | . Rear, Plate Weldment | 88 | R13088 | 2 | . Plug |
| 63 | R13063 | 1 | . Neophrane | 89 | R13089 | 8 | . Washer |
| 64 | R13064 | A/R | . Spray Adhesive | 90 | R13090 | 8 | . Bolt |



Door Assembly - RH

Door Assembly - RH

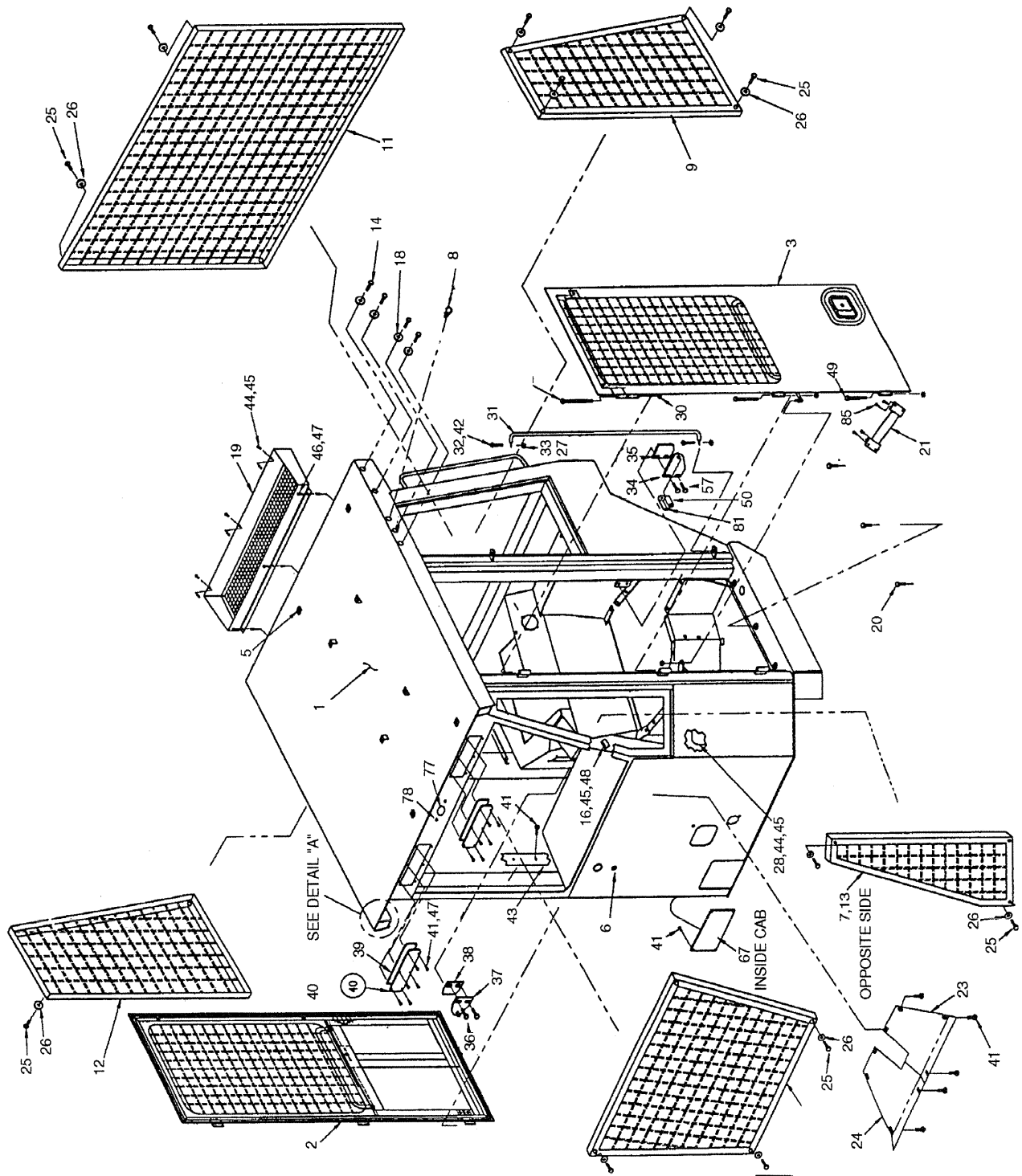
| Item | Part No | Qty | Description | Item | Part No | Qty | Description |
|------|---------------|-----|---------------------------|------|---------|-----|------------------|
| | R13002 | | Door Assembly - RH | | | | |
| 1 | R13125 | 1 | . Weldment, Door - RH | 20 | R13116 | 1 | . Spring |
| 2 | R13126 | 1 | . Frame, Door Screen - RH | 21 | R13117 | 5 | . Screw |
| 3 | R13129 | 1 | . Cover, Padded | 22 | R13128 | 1 | . Handle |
| 4 | R13104 | 1 | . Cable | 23 | R13119 | 1 | . Grip |
| 5 | R13105 | 1 | . Bolt | 24 | R13120 | 1 | . Nut |
| 6 | R13106 | A/R | . Seal | 25 | R13121 | 1 | . Latch |
| 7 | R13107 | 2 | . Screw | 26 | R13122 | 1 | . Washer |
| 9 | R13108 | 2 | . Bolt | 27 | R13123 | 1 | . Washer |
| 10 | R13047 | 6 | . Rivnut | 28 | R13082 | 1 | . Washer |
| 11 | R13109 | 1 | . Spring | 29 | R13124 | 2 | . Washer |
| 12 | R13110 | 1 | . Door Bushing | 30 | R13130 | 6 | . Washer |
| 13 | R13111 | 1 | . Washer | 31 | R13131 | 1 | . Insulation |
| 14 | R13112 | 2 | . Nut | 32 | R13132 | 1 | . Sliding Window |
| 15 | R13127 | 1 | . Latch | | R13311 | 2 | . Window Lock |
| 16 | R13085 | 4 | . Bolt | 33 | R13133 | A/R | . Tape |
| 17 | R13041 | 6 | . Bolt | 34 | R13134 | A/R | . Urethane |
| 18 | R13114 | 2 | . Stud | 35 | R13064 | A/R | . Spray Adhesive |
| 19 | R13115 | 2 | . Clip | | | | |



Door Assembly - LH

Door Assembly - LH

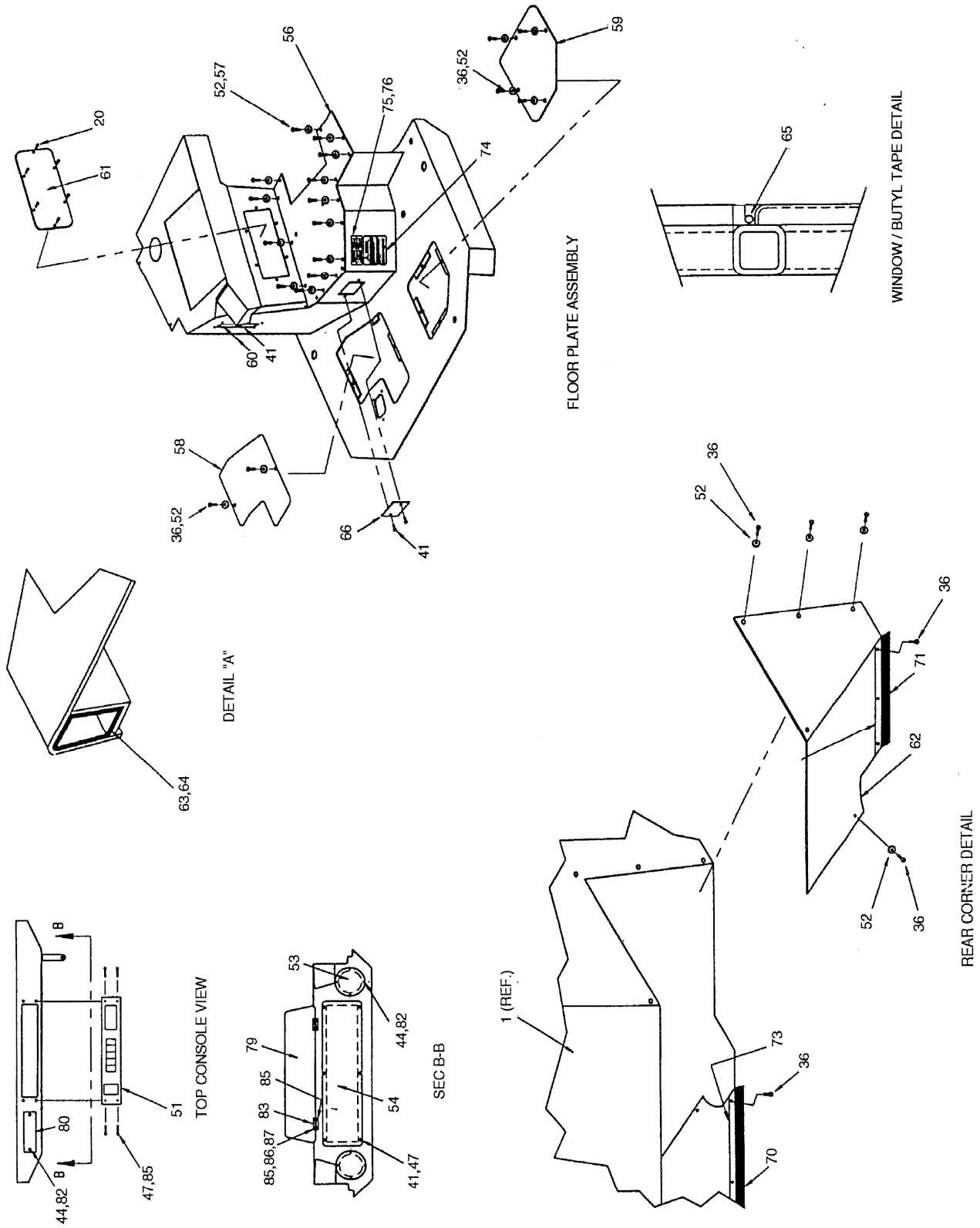
| Item | Part No | Qty | Description | Item | Part No | Qty | Description |
|------|---------------|-----|---------------------------|------|---------|-----|------------------|
| | R13003 | | Door Assembly - LH | | | | |
| 1 | R13101 | 1 | . Weldment, Door - LH | 20 | R13116 | 1 | . Spring |
| 2 | R13102 | 1 | . Frame, Door Screen - LH | 21 | R13117 | 5 | . Screw |
| 3 | R13129 | 1 | . Cover, Padded | 22 | R13128 | 1 | . Handle |
| 4 | R13104 | 1 | . Cable | 23 | R13119 | 1 | . Grip |
| 5 | R13105 | 1 | . Bolt | 24 | R13120 | 1 | . Nut |
| 6 | R13106 | A/R | . Seal | 25 | R13121 | 1 | . Latch |
| 7 | R13107 | 2 | . Screw | 26 | R13122 | 1 | . Washer |
| 9 | R13108 | 2 | . Bolt | 27 | R13123 | 1 | . Washer |
| 10 | R13047 | 6 | . Rivnut | 28 | R13082 | 1 | . Washer |
| 11 | R13109 | 1 | . Spring | 29 | R13124 | 2 | . Washer |
| 12 | R13110 | 1 | . Door Bushing | 30 | R13130 | 6 | . Washer |
| 13 | R13111 | 1 | . Washer | 31 | R13131 | 1 | . Insulation |
| 14 | R13112 | 2 | . Nut | 32 | R13132 | 1 | . Sliding Window |
| 15 | R13113 | 1 | . Latch | | R13311 | 2 | . Window Lock |
| 16 | R13085 | 4 | . Bolt | 33 | R13133 | A/R | . Tape |
| 17 | R13041 | 6 | . Bolt | 34 | R13134 | A/R | . Urethane |
| 18 | R13114 | 2 | . Stud | 35 | R13064 | A/R | . Spray Adhesive |
| 19 | R13115 | 2 | . Clip | | | | |



Screened Cab

Screened Cab

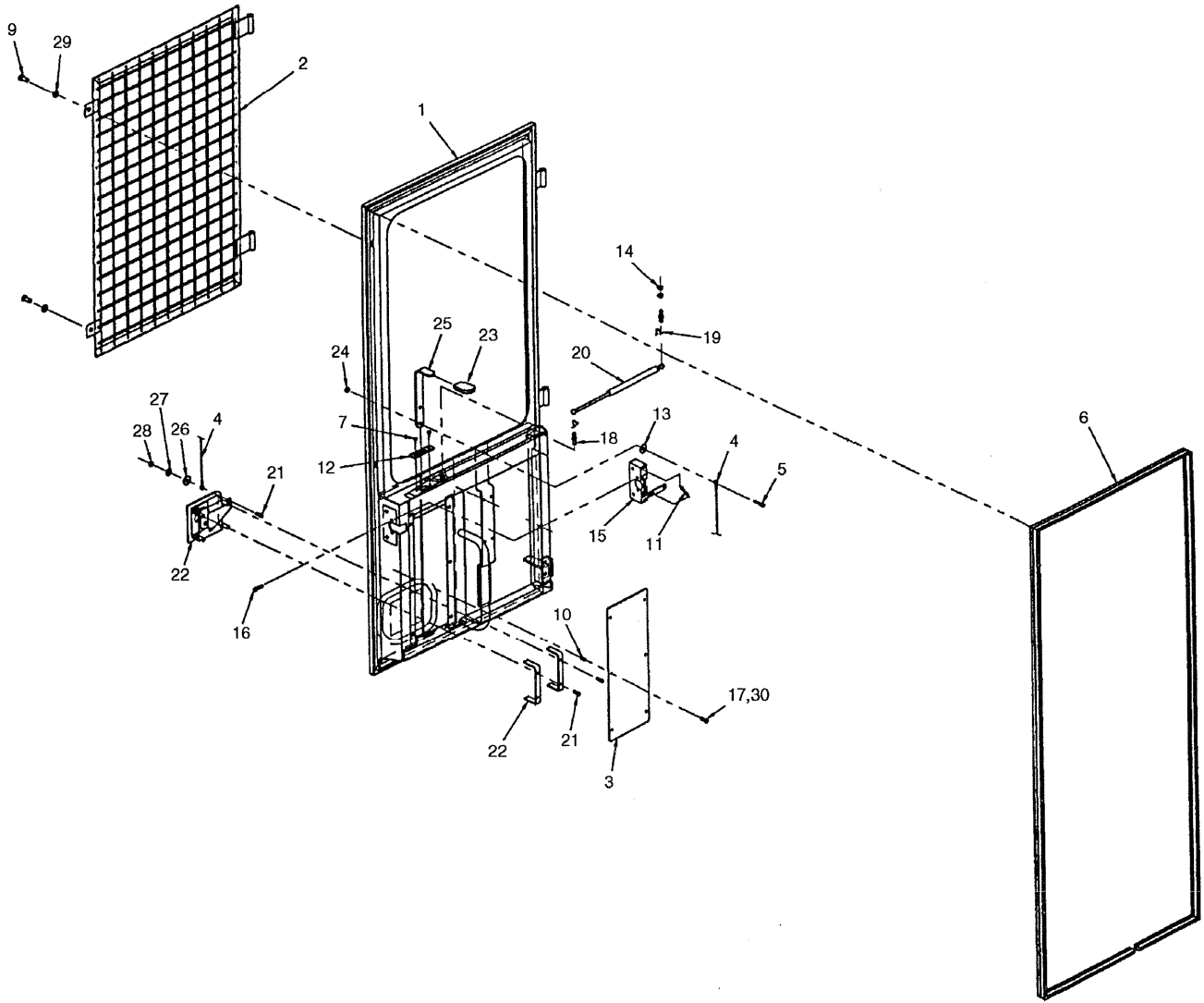
| Item | Part No | Qty | Description | Item | Part No | Qty | Description |
|------|---------------|-----|----------------------------------|------|---------|-----|-----------------------------------|
| | R10544 | | Screened Cab | | | | |
| 1 | R13001 | 1 | . Cab Weldment | 38 | R13038 | 1 | . Shim, Striker |
| 2 | R13091 | 1 | . Door Assembly - RH | 39 | R13039 | A/R | . Foam |
| 3 | R10544 | 1 | . Door Assembly - LH | 40 | R13040 | 2 | . Lens, Front Light |
| 4 | R13093 | 1 | . Front Window Frame | 41 | R13041 | 54 | . Bolt |
| 5 | R13094 | 4 | . Plug | 42 | R13042 | 4 | . Washer |
| 6 | R13069 | 1 | . Grommet | 43 | R13043 | 1 | . Wire Harness Cover |
| 7 | R13095 | 1 | . Screen, Front Side - LH | 44 | R13044 | 17 | . Screw |
| 8 | R13088 | 2 | . Plug | 45 | R13045 | 17 | . Screw |
| 9 | R13096 | 1 | . Screen, Rear Side - LH | 46 | R13046 | 4 | . Bolt |
| 11 | R13097 | 1 | . Screen, Rear | 47 | R13047 | 26 | . Rivnut |
| 12 | R13098 | 1 | . Screen, Rear Side - RH | 48 | R13048 | 2 | . Bolt |
| 13 | R13013 | 1 | . Screen, Front Side - RH | 49 | R13049 | 2 | . Bolt |
| 14 | R13090 | 1 | . Bolt | 50 | R13050 | 2 | . Striker |
| 16 | R13016 | 1 | . Ash Tray | 54 | R13054 | 1 | . Front Console Cover |
| 18 | R13089 | 8 | . Washer | 55 | R13055 | 1 | . Front Insulation |
| 19 | R13019 | 1 | . Weldment, Filter Door | 64 | R13064 | A/R | . Spray Adhesive |
| 20 | R13139 | 6 | . Bolt | 67 | R13067 | 1 | . Cover, Lower Front |
| 21 | R13021 | 2 | . Door Retaining Strap | 68 | R13068 | 1 | . Washer Nozzle Kit |
| 23 | R13023 | 1 | . Cover, Dash - LH | 69 | R13069 | 1 | . Grommet |
| 24 | R13024 | 1 | . Cover, Dash - RH | 77 | R13077 | 1 | . Plug |
| 25 | R13025 | 24 | . Bolt | 78 | R13078 | 1 | . Plug |
| 26 | R13026 | 24 | . Washer | 81 | R13081 | 2 | . Striker Gaurd |
| 27 | R13027 | 4 | . Washer | 84 | R13084 | 4 | . Screw |
| 28 | R13028 | 1 | . Operators Manual Holder | 88 | R13088 | 2 | . Plug |
| 29 | R13029 | 4 | . Bolt | 89 | R13089 | 8 | . Washer |
| 30 | R13030 | 6 | . Nut | 90 | R13090 | 8 | . Bolt |
| 31 | R13031 | 2 | . Grab Handle, Door | 91 | R13145 | 4 | . Nut |
| 32 | R13140 | 4 | . Bolt | 92 | R13144 | 1 | . Cover, Valve Console |
| 33 | R13033 | 4 | . Nut | 93 | R13143 | 2 | . Spacer Block |
| 34 | R13034 | 1 | . Striker Weldment - LH | 94 | R13148 | A/R | . Seal |
| 35 | R13035 | 1 | . Shim, Striker Plate | 95 | R13149 | 2 | . Insulation, Outside Front Panel |
| 37 | R13037 | 1 | . Weldment, Striker Bracket - RH | | | | |



Screened Cab

Screened Cab

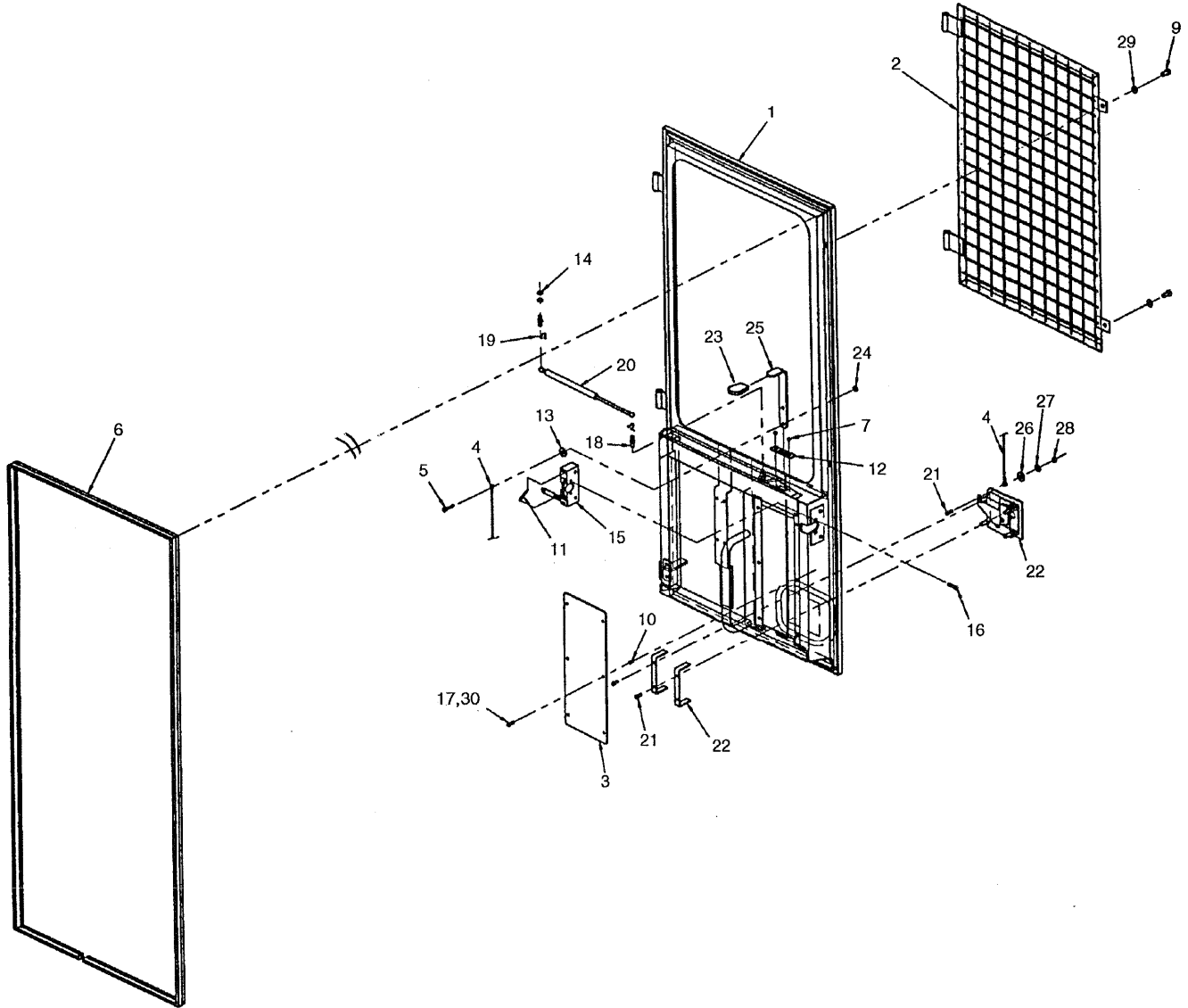
| Item | Part No | Qty | Description | Item | Part No | Qty | Description |
|------|---------------|-----|-------------------------------|------|---------|-----|----------------------|
| | R10544 | | Screened Cab | | | | |
| 20 | R13139 | 6 | . Bolt | 66 | R13066 | 1 | . Cover, Seat Suport |
| 41 | R13041 | 54 | . Bolt | 70 | R13070 | 1 | . Neoprene |
| 44 | R13044 | 17 | . Screw | 71 | R13071 | 1 | . Neoprene |
| 47 | R13047 | 26 | . Rivnut | 72 | R13072 | 1 | . Strip |
| 51 * | R13051 | 1 | . Control Panel Asm (8 -1.18) | 73 | R13073 | 1 | . Strip |
| 52 | R13052 | 31 | . Washer | 74 | R13074 | 1 | . Decal |
| 53 | R13053 | 2 | . Cover, Speaker | 75 | R13075 | 1 | . Serial No. Tag |
| 54 | R13054 | 1 | . Front Console Cover | 76 | R13076 | 2 | . Pop Rivet |
| 56 | R13056 | 1 | . Seat Plate Weldment | 79 | R13079 | 1 | . Visor |
| 57 | R13057 | 44 | . Bolt | 80 | R13080 | 1 | . Cover, Radio |
| 58 | R13058 | 1 | . Cover, Floor | 82 | R13082 | 2 | . Nut |
| 59 | R13059 | 1 | . Cover, Floor | 83 | R13083 | 2 | . Hinge |
| 61 | R13061 | 1 | . Panel, Side Console | 84 | R13084 | 4 | . Screw |
| 62 | R13062 | 1 | . Rear, Plate Weldment | 88 | R13088 | 2 | . Plug |
| 63 | R13063 | 1 | . Neophrane | 89 | R13089 | 8 | . Washer |
| 64 | R13064 | A/R | . Spray Adhesive | 90 | R13090 | 8 | . Bolt |
| 65 | R13065 | A/R | . Tape | | | | |



Door Assembly - RH

Door Assembly - RH

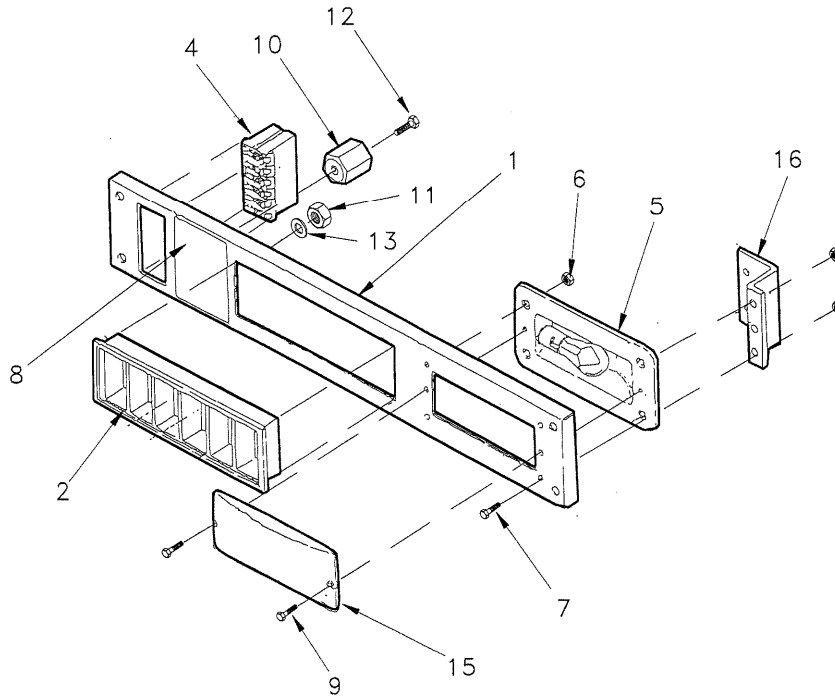
| Item | Part No | Qty | Description | Item | Part No | Qty | Description |
|------|---------------|-----|---------------------------|------|---------|-----|-------------|
| | R13091 | | Door Assembly - RH | | | | |
| 1 | R13125 | 1 | . Weldment, Door - RH | 16 | R13085 | 4 | . Bolt |
| 2 | R13126 | 1 | . Frame, Door Screen - RH | 17 | R13041 | 6 | . Bolt |
| 3 | R13129 | 1 | . Cover, Padded | 18 | R13114 | 2 | . Stud |
| 4 | R13104 | 1 | . Cable | 19 | R13115 | 2 | . Clip |
| 5 | R13105 | 1 | . Bolt | 20 | R13116 | 1 | . Spring |
| 6 | R13106 | A/R | . Seal | 21 | R13117 | 5 | . Screw |
| 7 | R13107 | 2 | . Screw | 22 | R13128 | 1 | . Handle |
| 9 | R13108 | 2 | . Bolt | 23 | R13119 | 1 | . Grip |
| 10 | R13047 | 6 | . Rivnut | 24 | R13120 | 1 | . Nut |
| 11 | R13109 | 1 | . Spring | 25 | R13121 | 1 | . Latch |
| 12 | R13110 | 1 | . Door Bushing | 26 | R13122 | 1 | . Washer |
| 13 | R13111 | 1 | . Washer | 27 | R13123 | 1 | . Washer |
| 14 | R13112 | 2 | . Nut | 28 | R13082 | 1 | . Washer |
| 15 | R13127 | 1 | . Latch | 29 | R13124 | 2 | . Washer |



Door Assembly - LH

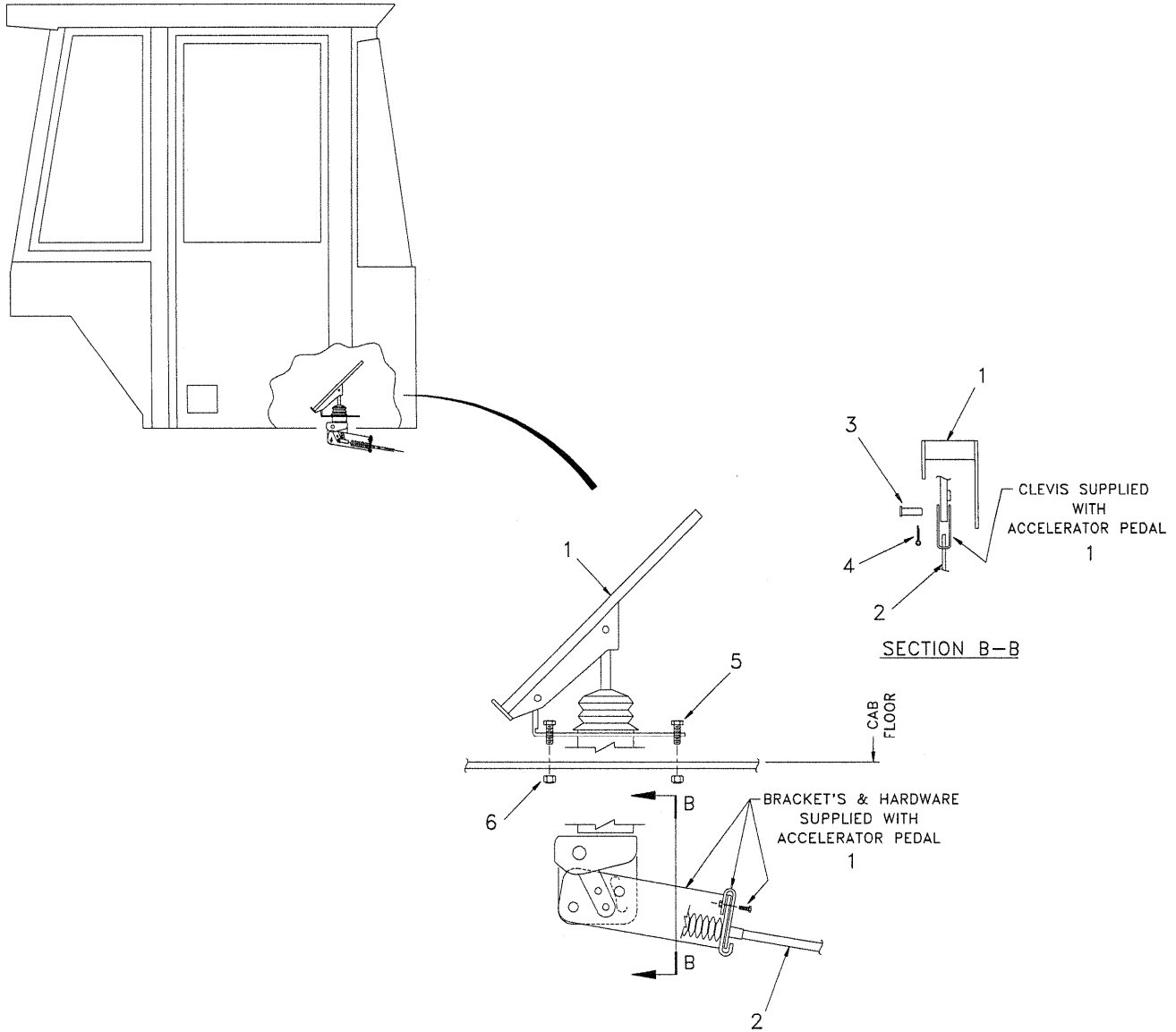
Door Assembly - LH

| Item | Part No | Qty | Description | Item | Part No | Qty | Description |
|------|---------------|-----|---------------------------|------|---------|-----|-------------|
| | R10544 | | Door Assembly - LH | | | | |
| 1 | R13101 | 1 | . Weldment, Door - LH | 16 | R13085 | 4 | . Bolt |
| 2 | R13102 | 1 | . Frame, Door Screen - LH | 17 | R13041 | 6 | . Bolt |
| 3 | R13129 | 1 | . Cover, Padded | 18 | R13114 | 2 | . Stud |
| 4 | R13104 | 1 | . Cable | 19 | R13115 | 2 | . Clip |
| 5 | R13105 | 1 | . Bolt | 20 | R13116 | 1 | . Spring |
| 6 | R13106 | A/R | . Seal | 21 | R13117 | 5 | . Screw |
| 7 | R13107 | 2 | . Screw | 22 | R13128 | 1 | . Handle |
| 9 | R13108 | 2 | . Bolt | 23 | R13119 | 1 | . Grip |
| 10 | R13047 | 6 | . Rivnut | 24 | R13120 | 1 | . Nut |
| 11 | R13109 | 1 | . Spring | 25 | R13121 | 1 | . Latch |
| 12 | R13110 | 1 | . Door Bushing | 26 | R13122 | 1 | . Washer |
| 13 | R13111 | 1 | . Washer | 27 | R13123 | 1 | . Washer |
| 14 | R13112 | 2 | . Nut | 28 | R13082 | 1 | . Washer |
| 15 | R13113 | 1 | . Latch | | | | |



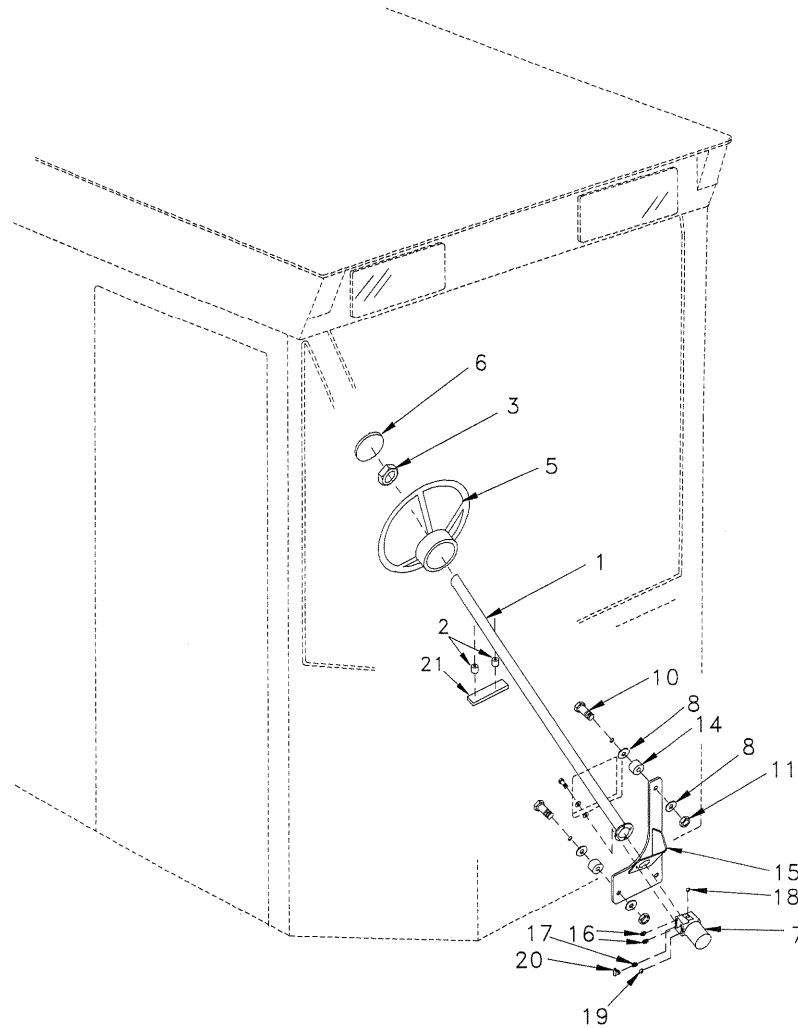
Control Panel Assembly

| Item | Part No | Qty | Description | Item | Part No | Qty | Description |
|------|---------------|-----|-------------------------------|------|-----------|-----|--------------------------|
| | R13051 | | Control Panel Assembly | | | | |
| 1 | R13158 | 1 | . Control Panel | 9 | R13968 | 1 | . Machine Screw |
| 2 | R13967 | 1 | . Switch Bank | 10 | R13137 | 1 | . Wiring Insulator |
| 4 | R13154 | 6 | . Fuse Holder | 11 | R13811173 | 1 | . Nut |
| 5 | R13136 | 1 | . Dome Light | 12 | R13810989 | 1 | . Bolt |
| | R11190 | 1 | . Bulb, 12V | 13 | R13811429 | 1 | . Washer |
| 6 | R13812442 | 2 | . Nut | 15 | R13969 | 1 | . Domelight Lens |
| 7 | R13800438 | 3 | . Capscrew | 16 | R13309 | 1 | . Relay Mounting Bracket |
| 8 | R13151 | 1 | . Decal | | | | |



Accelerator Pedal Installation

| Item | Part No | Qty | Description | Item | Part No | Qty | Description |
|------|---------------|-----|---------------------------------------|------|-----------|-----|-------------|
| | R11266 | | Accelerator Pedal Installation | | | | |
| 1 | R10002 | 1 | . Pedal Asm | 4 | R13800351 | 1 | . Pin |
| 2 | R10008 | 1 | . Cable | 5 | R13810991 | 3 | . Capscrew |
| 3 | R13809918 | 1 | . Pin | 6 | R13811189 | 3 | . Nut |

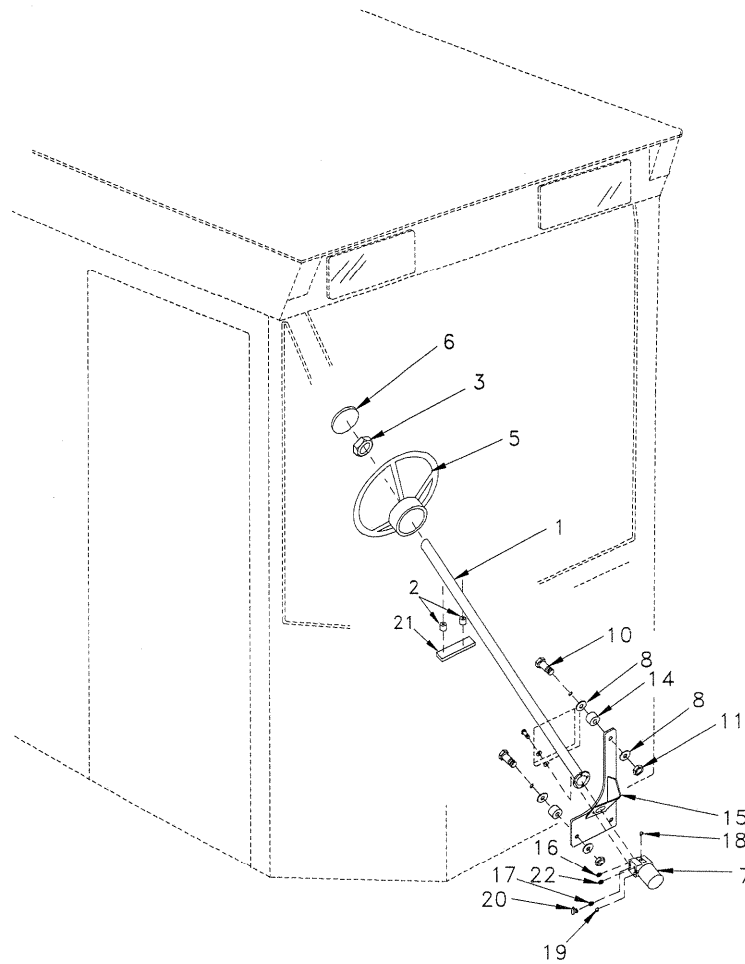


Steering & Valve

| Item | Part No | Qty | Description | Item | Part No | Qty | Description |
|------|---------------|-----|-----------------------------|------|-----------|-----|------------------|
| *a | R11505 | | Steering & Valve | | | | |
| 1 | R10035 | 1 | . Steering Column | 13 | R13802575 | 4 | . Washer |
| 2 | R10037 | 1 | . Clamp Asm | 14 | R4086970 | 3 | . Mount |
| 3 | R10061 | 1 | . Nut | 15 | R10074 | 1 | . Steering Mount |
| 5 | R10563 | 1 | . Steering Wheel | 16 | R833113 | 2 | . Fitting |
| 6 | R10060 | 1 | . Cap | 17 | R833123 | 1 | . Fitting |
| 7 | * R10063 | 1 | . Steering Valve (6 - 2.1) | 18 | R833200 | 1 | . Fitting |
| 8 | R12569926 | 6 | . Washer | 19 | R833207 | 1 | . Fitting |
| 9 | R13811036 | 4 | . Capscrew | 20 | R833804 | 1 | . Fitting |
| 10 | R13811039 | 3 | . Capscrew | 21 | R552914 | 2 | . Spacer |
| 11 | R13811191 | 3 | . Nut, Lock | | | | |
| 12 | R13811431 | 4 | . Washer | | | | |

*a Last used on Unit S/N 268

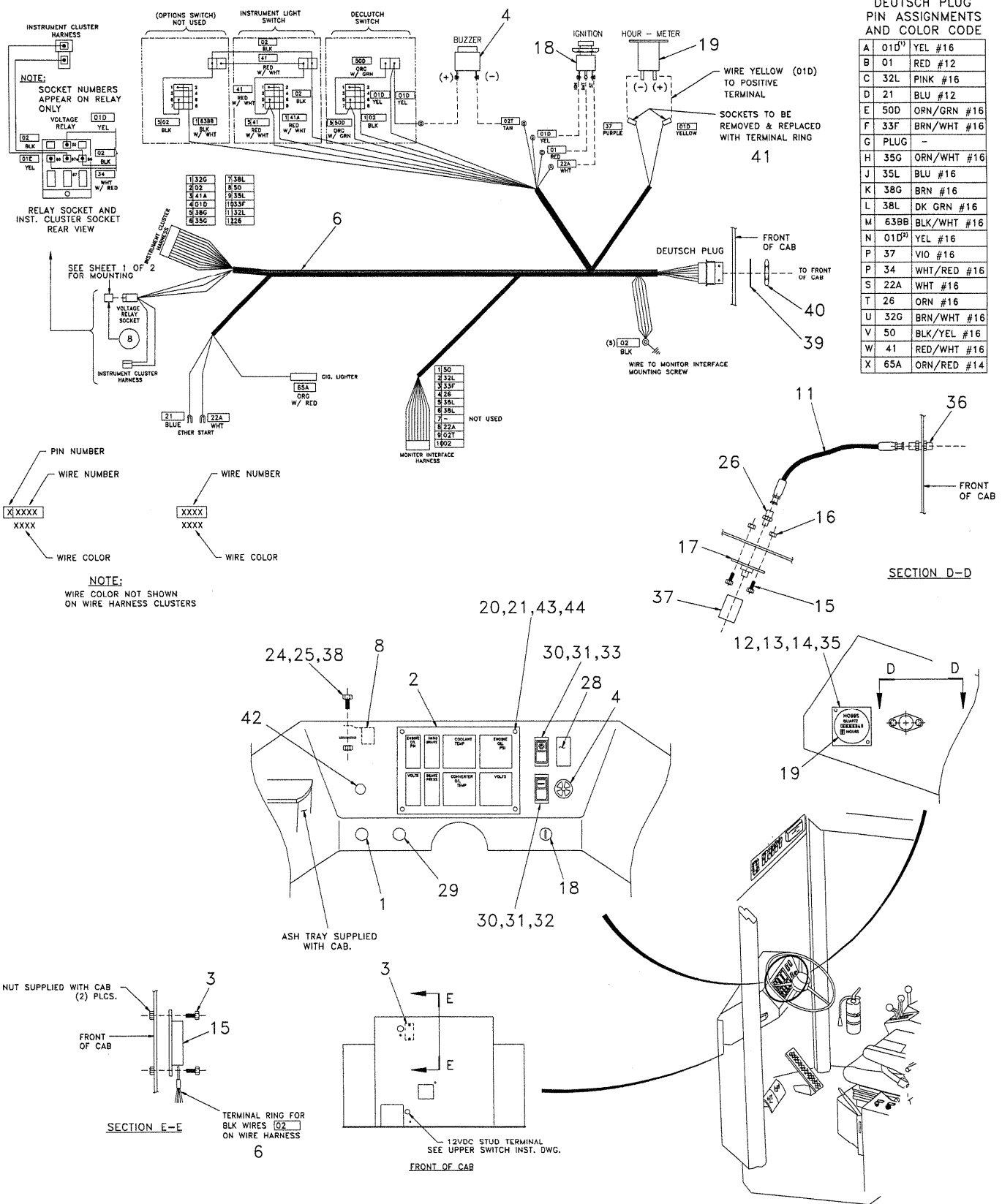
First used on Unit S/N 270



Steering & Valve

| Item | Part No | Qty | Description | Item | Part No | Qty | Description |
|------|-----------------------------|-----|-----------------------------|------|----------|-----|------------------|
| | ^{*a} R13428 | | Steering & Valve | | | | |
| 1 | R10035 | 1 | . Steering Column | 14 | R4086970 | 3 | . Mount |
| 2 | R10037 | 1 | . Clamp Asm | 15 | R10074 | 1 | . Steering Mount |
| 3 | R10061 | 1 | . Nut | 16 | R833113 | 1 | . Fitting |
| 5 | R10563 | 1 | . Steering Wheel | 17 | R833123 | 1 | . Fitting |
| 6 | R10060 | 1 | . Cap | 18 | R833101 | 1 | . Fitting |
| 7 | [*] R10063 | 1 | . Steering Valve (6 - 2.1) | 19 | R833268 | 1 | . Fitting |
| 8 | R12569926 | 6 | . Washer | 20 | R833804 | 1 | . Fitting |
| 9 | R13811036 | 4 | . Capscrew | 21 | R552914 | 2 | . Spacer |
| 10 | R13811039 | 3 | . Capscrew | 22 | R833207 | 1 | . Fitting |
| 11 | R13811191 | 3 | . Nut | | | | |
| 12 | R13811431 | 4 | . Washer | | | | |
| 13 | R13802575 | 4 | . Washer | | | | |

^{*a} First used on Unit S/N 270



DEUTSCH PLUG PIN ASSIGNMENTS AND COLOR CODE

| | | |
|---|-------------------|-------------|
| A | 01D ¹⁾ | YEL #16 |
| B | 01 | RED #12 |
| C | 32L | PINK #16 |
| D | 21 | BLU #12 |
| E | 50D | ORN/GRN #16 |
| F | 33F | BRN/WHT #16 |
| G | PLUG | - |
| H | 35G | ORN/WHT #16 |
| J | 35L | BLU #16 |
| K | 38G | BRN #16 |
| L | 38L | DK GRN #16 |
| M | 63BB | BLK/WHT #16 |
| N | 01D ²⁾ | YEL #16 |
| P | 37 | VIO #16 |
| P | 34 | WHT/RED #16 |
| S | 22A | WHT #16 |
| T | 26 | ORN #16 |
| U | 32G | BRN/WHT #16 |
| V | 50 | BLK/YEL #16 |
| W | 41 | RED/WHT #16 |
| X | 65A | ORN/RED #14 |

PIN NUMBER
WIRE NUMBER
WIRE COLOR

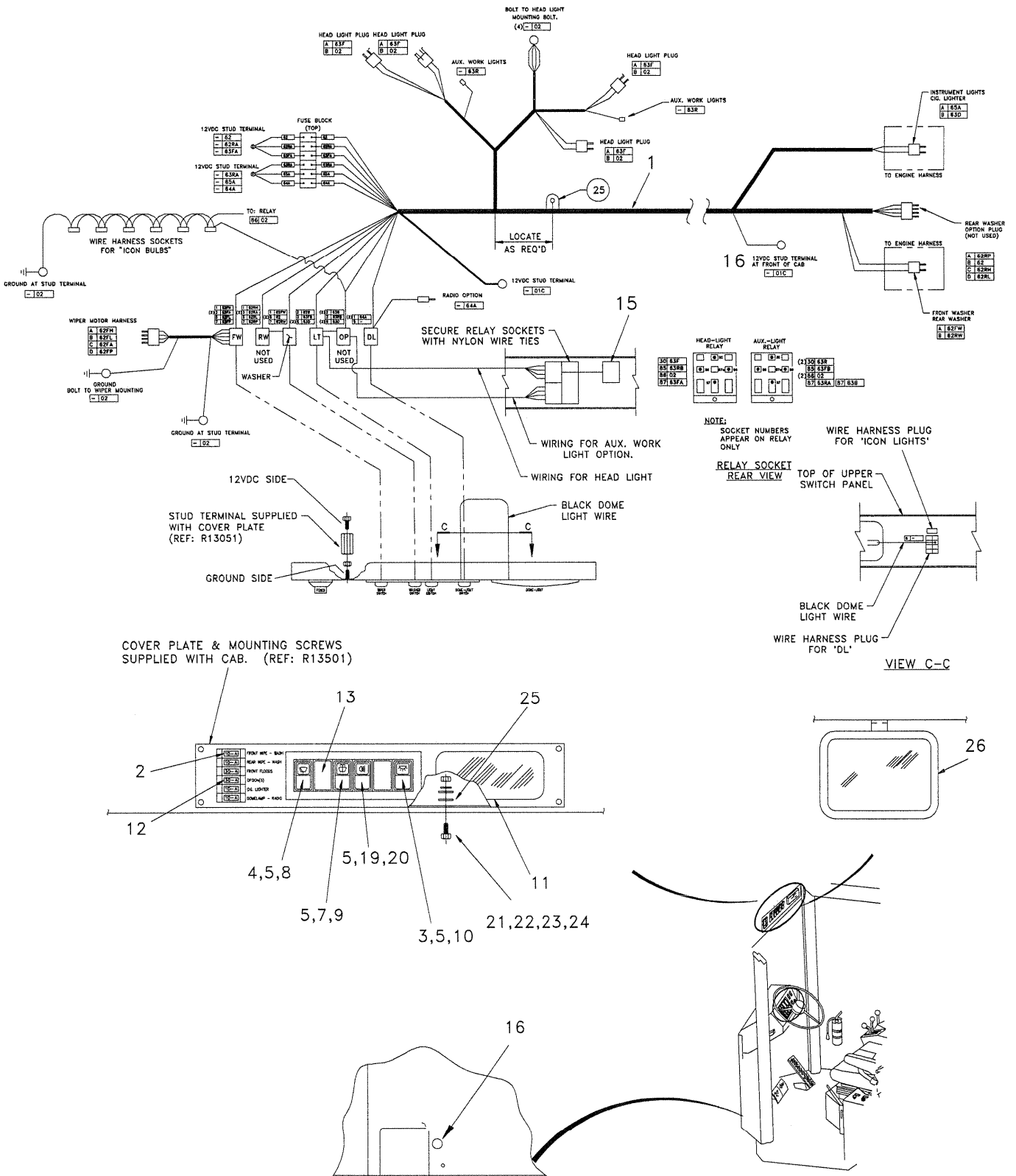
XXXX
XXXX
XXXX

NOTE:
WIRE COLOR NOT SHOWN ON WIRE HARNESS CLUSTERS

Instrument Panel - Dash

Instrument Panel - Dash

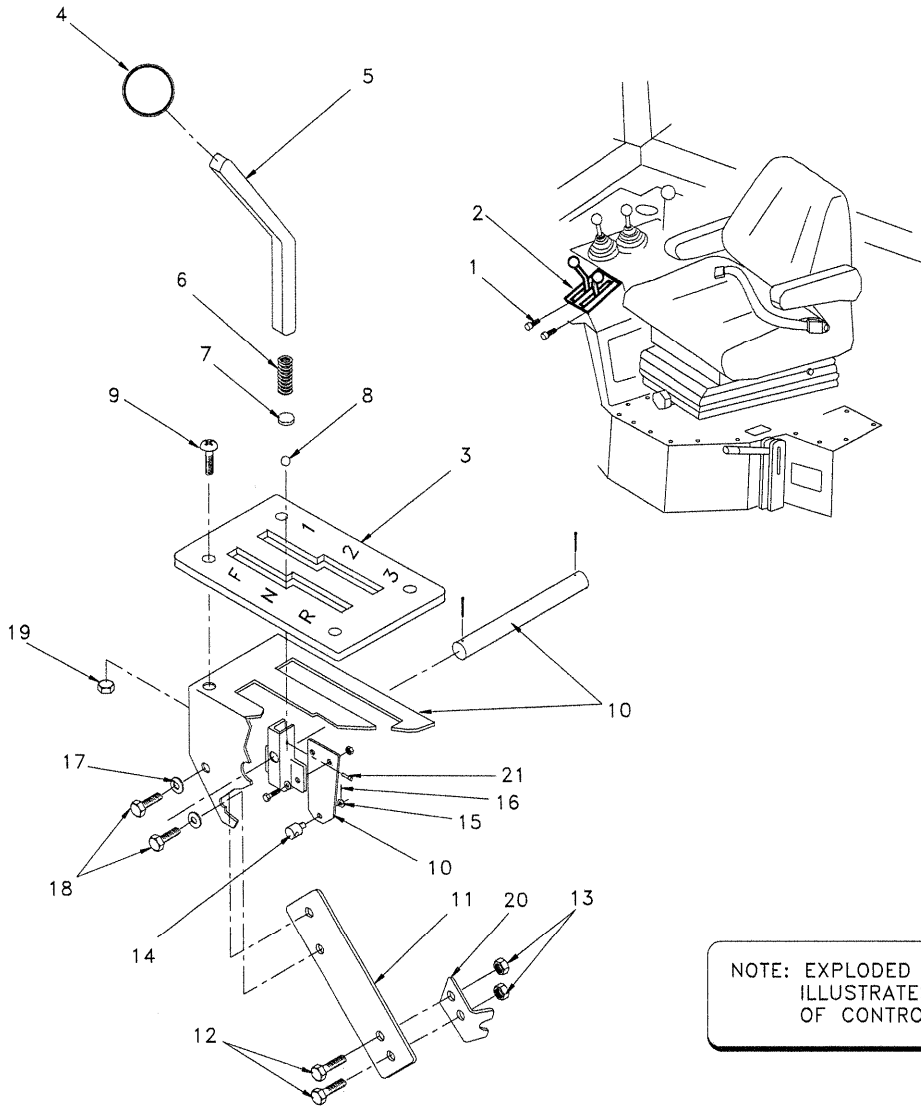
| Item | Part No | Qty | Description | Item | Part No | Qty | Description |
|------|---------------|-----|--------------------------------|------|-----------|-----|--------------------|
| | R11199 | | Instrument Panel - Dash | | | | |
| 1 | R6513640 | 2 | . Plug, Button | 20 | R189007 | 4 | . Capscrew |
| 2 | R10510 | 1 | . Instrument Cluster | 21 | R220100 | 4 | . Nut |
| | R11418 | 1 | . . Gauge, Eng. Oil Press. | 24 | R220700 | 1 | . Nut |
| | R11419 | 1 | . . Gauge, Conv. Oil Temp. | 25 | R13800826 | 1 | . Washer |
| | R11420 | 1 | . . Gauge, Coolant Temp. | 26 | R833450 | 1 | . Fitting |
| | R11421 | 1 | . . Voltmeter | 28 | R11179 | 1 | . Cover, Blank |
| | R11422 | 8 | . . Socket, Lamp | 29 | R4510099 | 1 | . Lighter, Cig |
| | R11423 | 8 | . . Lamp | 30 | R4510152 | 2 | . Switch, Light |
| 3 | R10546 | 1 | . Interface, Monitor | 31 | R4510235 | 2 | . Lamp, 12v |
| 4 | R10547 | 1 | . Alarm, Buzzer | 32 | R4510243 | 1 | . Symbol, Declutch |
| 6 | R10602 | 1 | . Wire Harness, Dash | 33 | R11178 | 1 | . Symbol, Light |
| 8 | R10625 | 1 | . Relay | 35 | R2515307 | 1 | . Gauge |
| 11 | R12026 | 1 | . Hose Asm | 36 | R834100 | 1 | . Fitting |
| 12 | R13809452 | 2 | . Screw | 37 | R6515007 | 1 | . Air Restrictor |
| 13 | R13809520 | 2 | . Nut | 38 | R13804165 | 1 | . Screw |
| 14 | R13809573 | 2 | . Washer | 39 | R740836 | 1 | . Nut |
| 15 | R13810991 | 4 | . Capscrew | 40 | R740837 | 1 | . Washer |
| 16 | R13811189 | 2 | . Nut | 41 | R740707 | 2 | . Terminal Ring |
| 17 | R1901972 | 1 | . Mount | 42 | R696073 | 1 | . Button, Plug |
| 18 | R1929711 | 1 | . Switch, Ign W/key | 43 | R13800826 | 4 | . Washer |
| 19 | R2552367 | 1 | . Hour Meter | 44 | R13811429 | 4 | . Washer |



Instrument Panel - Overhead

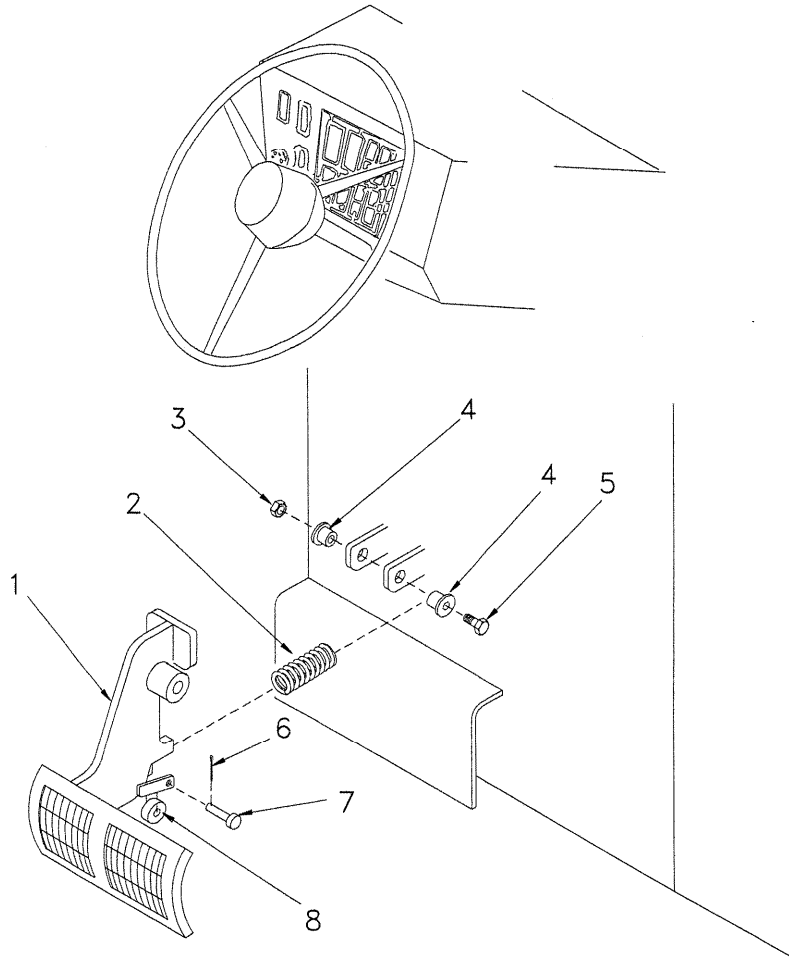
Instrument Panel - Overhead

| Item | Part No | Qty | Description | Item | Part No | Qty | Description |
|------|---------------|-----|------------------------------------|------|-----------|-----|-------------------------|
| | R11193 | | Instrument Panel - Overhead | | | | |
| 1 | R740329 | 1 | . Wire Harness, Upper Panel | 13 | R11179 | 2 | . Cover, Blank |
| 2 | R740797 | 4 | . Fuse | 15 | R4510197 | 1 | . Relay |
| 3 | R4510152 | 1 | . Switch, Light | 16 | R10581 | 1 | . Stud, Battery Feeder |
| 4 | R4610069 | 1 | . Switch, Wiper | 19 | R4510187 | 1 | . Switch, Light |
| 5 | R4510235 | 4 | . Lamp, 12v | 20 | R11174 | 1 | . Symbol, Light |
| 7 | R4610070 | 1 | . Switch, Washer | 21 | R13809555 | 1 | . Nut |
| 8 | R11173 | 1 | . Symbol, Wiper | 22 | R13800826 | 1 | . Washer |
| 9 | R11172 | 1 | . Symbol, Washer | 23 | R13811429 | 1 | . Washer |
| 10 | R11177 | 1 | . Symbol, Light | 24 | R13810991 | 1 | . Capscrew |
| 11 | R11190 | 1 | . Domelight Bulb, 12V | 25 | R13803034 | 1 | . Clip |
| 12 | R740765 | 2 | . Fuse | 26 | R10819 | 1 | . Mirror (Cab Interior) |



Transmission Shift Controller

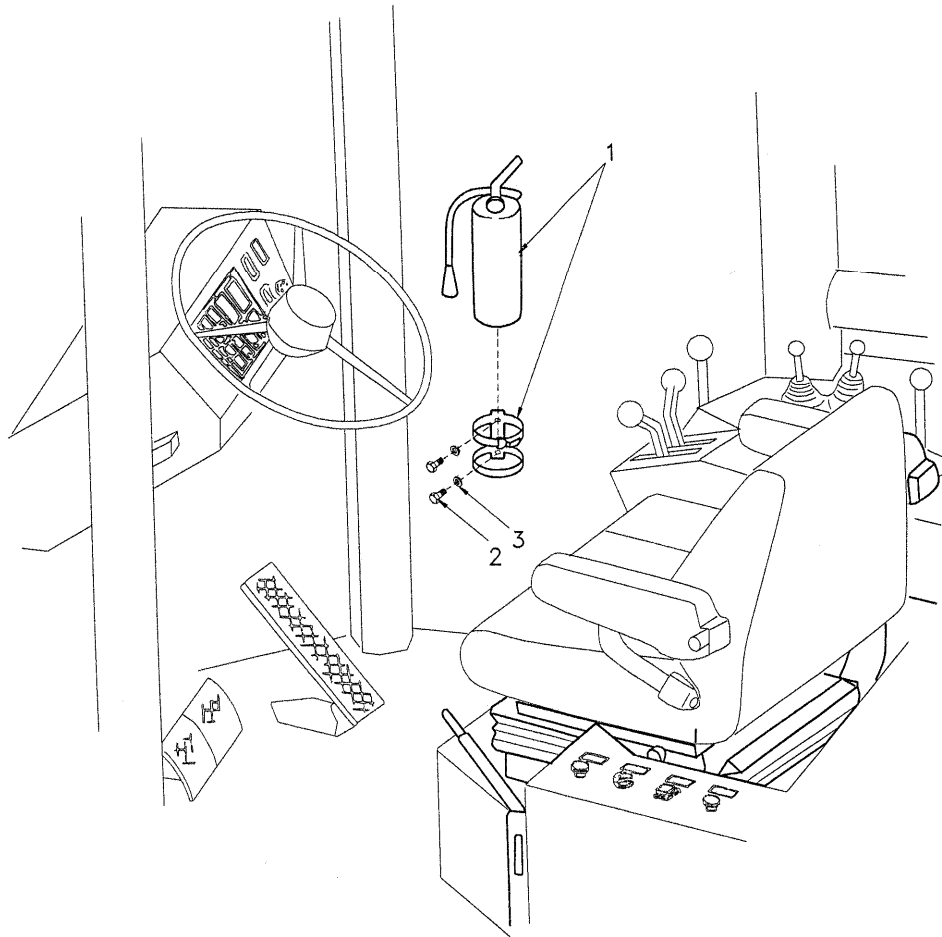
| Item | Part No | Qty | Description | Item | Part No | Qty | Description |
|---|-----------|-----|--------------------|------|---------|-----|---------------|
| R11257 Transmission Shift Controller | | | | | | | |
| 1 | R13807736 | 4 | . Capscrew | 12 | R11527 | 4 | .. Capscrew |
| 2 | R11377 | 1 | . Shift Controller | 13 | R11528 | 4 | .. Nut |
| 3 | R11520 | 1 | .. Gate Plate | 14 | R11529 | 2 | .. Swivel |
| 4 | R11153 | 2 | .. Handle, Knob | 15 | R11530 | 2 | .. Washer |
| 5 | R11521 | 2 | .. Lever | 16 | R11531 | 2 | .. Cotter Pin |
| 6 | R11522 | 2 | .. Spring | 17 | R11532 | 4 | .. Washer |
| 7 | R11523 | 2 | .. Disk | 18 | R11527 | 4 | .. Capscrew |
| 8 | R11524 | 2 | .. Ball | 19 | R11533 | 4 | .. Nut |
| 9 | R11525 | 4 | .. Screw | 20 | R11534 | 2 | .. Bracket |
| 10 | NSS | 1 | .. Housing | 21 | R11535 | 2 | .. Clevis Pin |
| 11 | R11526 | 2 | .. Strap | | | | |



Brake Pedal Installation

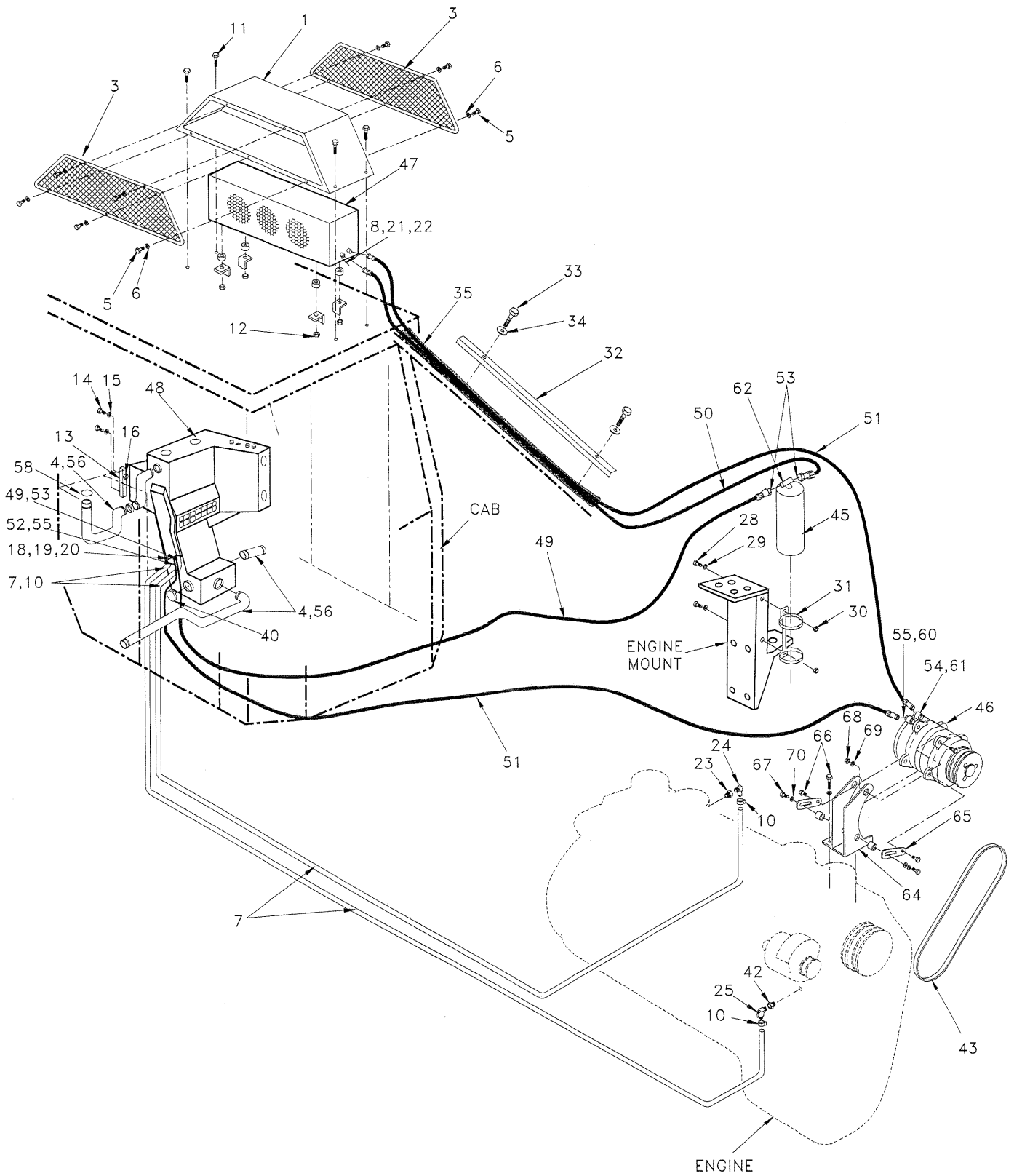
| Item | Part No | Qty | Description | Item | Part No | Qty | Description |
|------|---------------|-----|---------------------------------|------|-----------|-----|-------------|
| | R11217 | | Brake Pedal Installation | | | | |
| 1 | R10032 | 1 | . Brake Pedal | 5 | R1325693 | 1 | . Bolt |
| 2 | R10780 | 1 | . Spring | 6 | R13800351 | 1 | . Pin |
| 3 | R13811195 | 1 | . Nut | 7 | R13809919 | 1 | . Pin |
| 4 | R1313117 | 2 | . Spacer | 8 | R10622 | 1 | . Bar |

Intentionally blank



Fire Extinguisher Installation

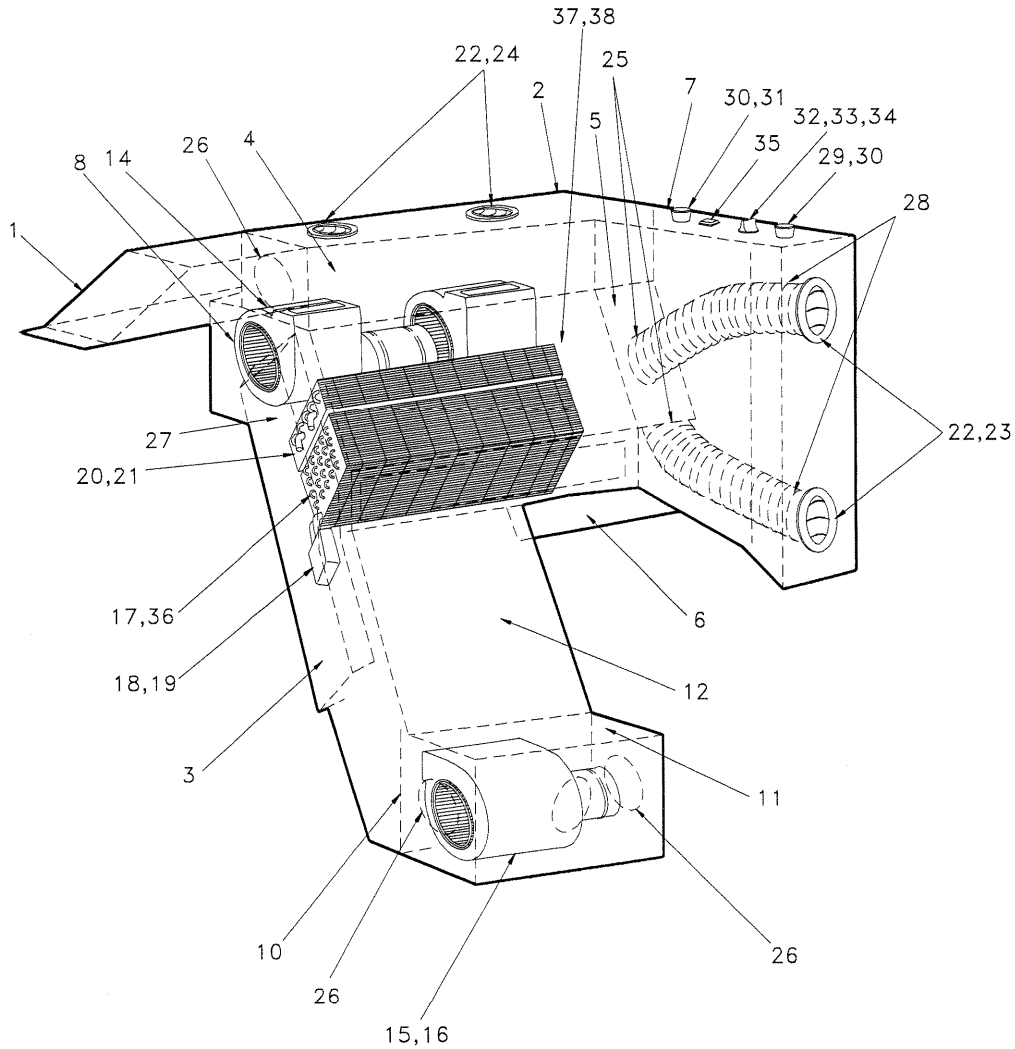
| Item | Part No | Qty | Description | Item | Part No | Qty | Description |
|------|---------------|-----|---------------------------------------|------|---------|-----|-------------|
| | R11215 | | Fire Extinguisher Installation | | | | |
| 1 | R840030 | 1 | . Fire Extinguisher | | | | |
| 2 | R13810991 | 8 | . Capscrew | | | | |
| 3 | R13800826 | 8 | . Washer | | | | |



Air Conditioning / Heater Installation

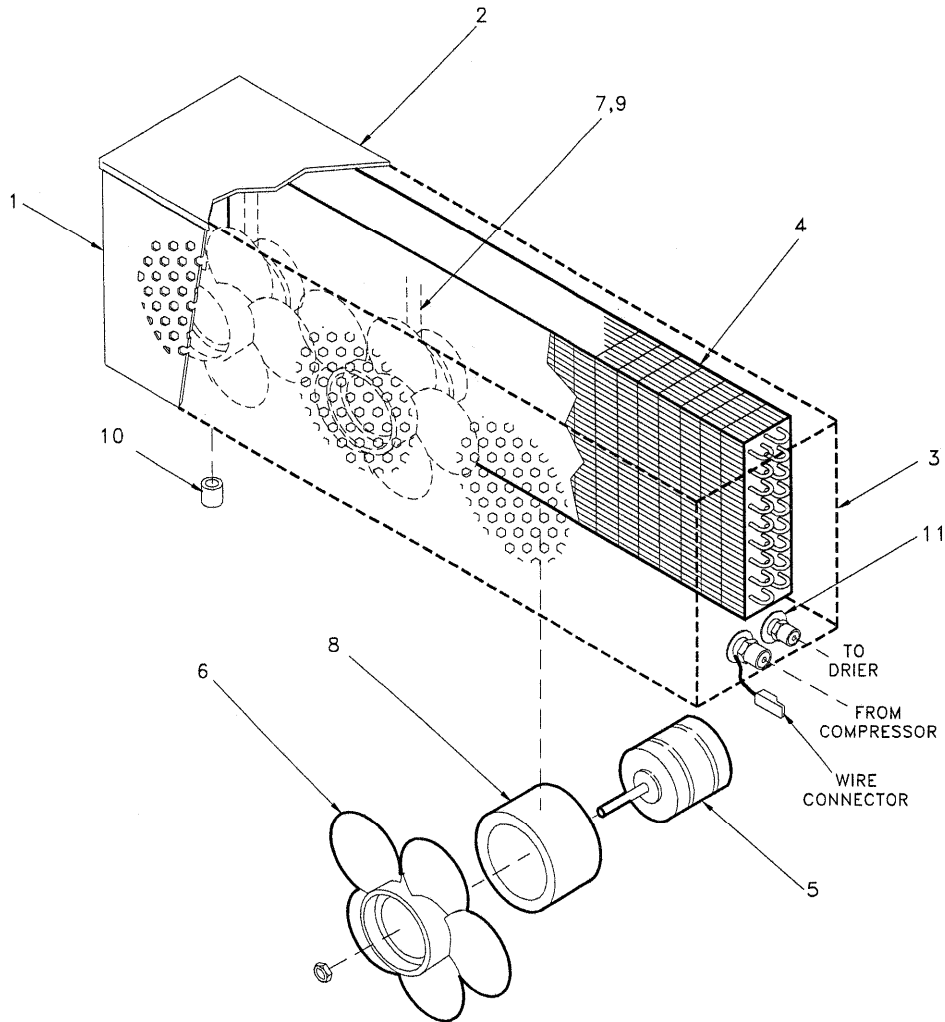
Air Conditioning / Heater Installation

| Item | Part No | Qty | Description | Item | Part No | Qty | Description |
|------|---------------|-----|--------------------------------------|------|-----------|-----|----------------------------------|
| | R11267 | | Air Cond./Heater Installation | | | | |
| 1 | R10640 | 1 | . Condenser Canopy | 39 | R4510197 | 2 | . Relay |
| 3 | R10689 | 2 | . Grille | 40 | R10060 | 1 | . Cap |
| 4 | R13803313 | 8 | . Clamp, Hose | 41 | R10775 | 2 | . Decal |
| 5 | R13811035 | 12 | . Capscrew | 42 | R13802219 | 1 | . Fitting |
| 6 | R13811446 | 12 | . Washer, Flat | 43 | R10776 | 1 | . Belt |
| 7 | R300038 | A/R | . Hose, Heater | 44 | R10670 | 1 | . Kit, A/C, Heater |
| 8 | R11140 | 1 | . Wire Harness | 45 | R10569 | 1 | .. Drier, Receiver |
| 10 | R13803305 | 4 | . Clamp, Hose | 46 | R10570 | 1 | .. Compressor |
| 11 | R13811081 | 4 | . Capscrew | 47 | * R10541 | 1 | .. Condenser, Air Cond (8 - 3.5) |
| 12 | R13811190 | 4 | . Nut, Lock | 48 | * R10568 | 1 | .. A/C Heater (8 - 3.4) |
| 13 | R11279 | 1 | . Pl,spacer | 49 | R10661 | 1 | .. Hose Asm |
| 14 | R13805980 | 2 | . Capscrew | 50 | R10660 | 1 | .. Hose Asm |
| 15 | R13812213 | 2 | . Washer | 51 | R10659 | 1 | .. Hose Asm |
| 16 | R550083 | 2 | . Nutsert | 52 | R10658 | 1 | .. Hose Asm |
| 17 | R740821 | 2 | . Circuit Breaker | 53 | R10662 | 4 | .. O-Ring |
| 18 | R740873 | 1 | . Connector | 54 | R10663 | 3 | .. O-Ring |
| 19 | R740882 | 3 | . Sleeve | 55 | R10664 | 3 | .. O-Ring |
| 20 | R740042 | 5 | . Loom | 56 | R10672 | A/R | .. Hose |
| 21 | R740885 | 1 | . Connector, Wire | 57 | R10671 | 1 | .. Adapter |
| 22 | R740865 | 2 | . Pin | 58 | R840286 | 1 | .. Louver |
| 23 | R13802222 | 1 | . Fitting | 59 | R11060 | 1 | .. Plate |
| 24 | R666842 | 1 | . Fitting | 60 | R10572 | 1 | .. Fitting |
| 25 | R552433 | 1 | . Pipcock | 61 | R10571 | 1 | .. Fitting |
| 28 | R13810990 | 2 | . Capscrew | 62 | R10657 | 1 | .. Switch, Press |
| 29 | R13812213 | 2 | . Washer | 63 | R10603 | 1 | . Bracket, Compressor Mtg |
| 30 | R13811189 | 2 | . Locknut | 64 | NSS | 1 | .. Mounting Bracket |
| 31 | R840240 | 1 | . Bracket | 65 | NSS | 2 | .. Adjusting Arm |
| 32 | R10645 | 1 | . A/C Lines Cover Wldmt | 66 | NSS | 4 | .. Bolt |
| 33 | R13811079 | 2 | . Capscrew | 67 | NSS | 2 | .. Bolt |
| 34 | R13806871 | 2 | . Washer | 68 | NSS | 4 | .. Nut |
| 35 | R12577881 | A/R | . Sleeve | 69 | NSS | 6 | .. Washer |
| 36 | R1539058 | 2 | . Strap, Tie | 70 | NSS | 4 | .. Washer |
| 37 | R10817 | 4 | . Refrigerant | 71 | NSS | 2 | .. Spacer |
| 38 | R400009 | 4 | . Oil, Refrigerant | | | | |



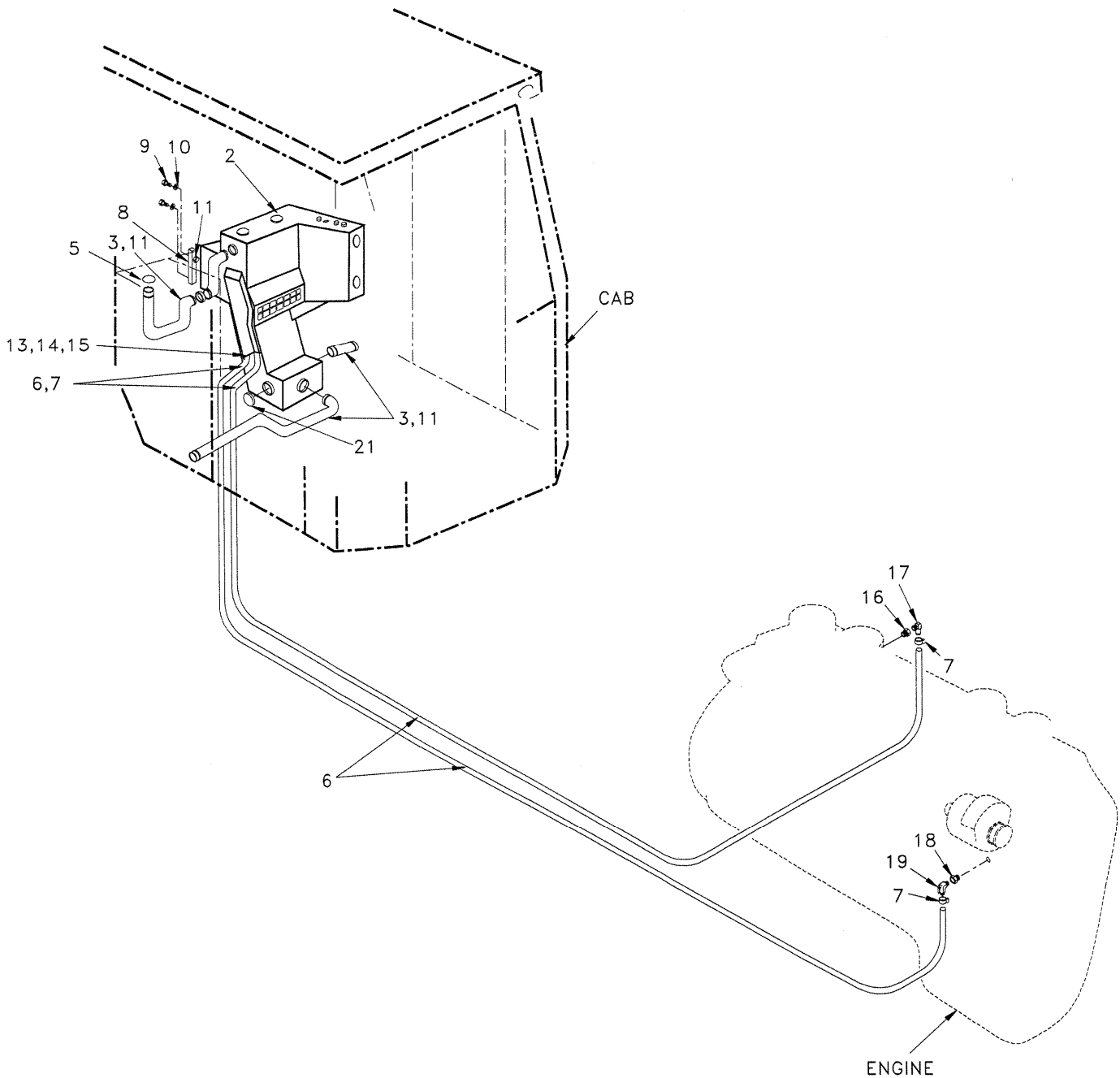
Air Conditioner / Heater

| Item | Part No | Qty | Description | Item | Part No | Qty | Description |
|---------------|---------|-----|--------------------|---------------------------------|---------|-----|-------------------------|
| R10568 | | | | Air Conditioner / Heater | | | |
| 1 | R840268 | 1 | . Protector, Hose | 20 | R840285 | 1 | . Coil, Heater |
| 2 | R840269 | 1 | . Cover, Top | 21 | R840081 | 1 | . Valve, Heater Control |
| 3 | R840270 | 1 | . Cover | 22 | R840286 | 4 | . Louver |
| 4 | R840271 | 1 | . Air Chamber | 23 | R840287 | 2 | . Hose End |
| 5 | R840272 | 1 | . Duct | 24 | R840147 | 2 | . Adapter |
| 6 | R840273 | 1 | . Bracket | 25 | R840172 | 2 | . Hose End |
| 7 | R840274 | 1 | . Panel, Control | 26 | R840173 | 3 | . Hose End |
| 8 | R840275 | 1 | . Bracket, Blower | 27 | R840288 | 1 | . Thermostat |
| 9 | R840276 | 1 | . Housing, Control | 28 | R840289 | 2 | . Hose, Air |
| 10 | R840277 | 1 | . Plate, Blower | 29 | R840290 | 1 | . Switch, Blower |
| 11 | R840278 | 1 | . Cover, Lower | 30 | R840291 | 2 | . Knob |
| 12 | R840279 | 1 | . Cover, Mid | 31 | R840292 | 1 | . Blower |
| 13 | R840280 | 1 | . Casing | 32 | R840293 | 1 | . Rotary Control |
| 14 | R840281 | 1 | . Blower, 12v | 33 | R840294 | 1 | . Knob |
| 15 | R840282 | 1 | . Blower, 12v | 34 | R840295 | 1 | . Cable |
| 16 | R840165 | 1 | . Resistor, 12v | 35 | R840296 | 1 | . Switch, Push |
| 17 | R840283 | 1 | . Coil, Evaporator | 36 | R840297 | 1 | . Cover |
| 18 | R10663 | 2 | . O-Ring | 37 | R840298 | 1 | . Relay, 12v |
| 19 | R840284 | 1 | . Valve, Expansion | 38 | R840299 | 1 | . Socket/Relay |



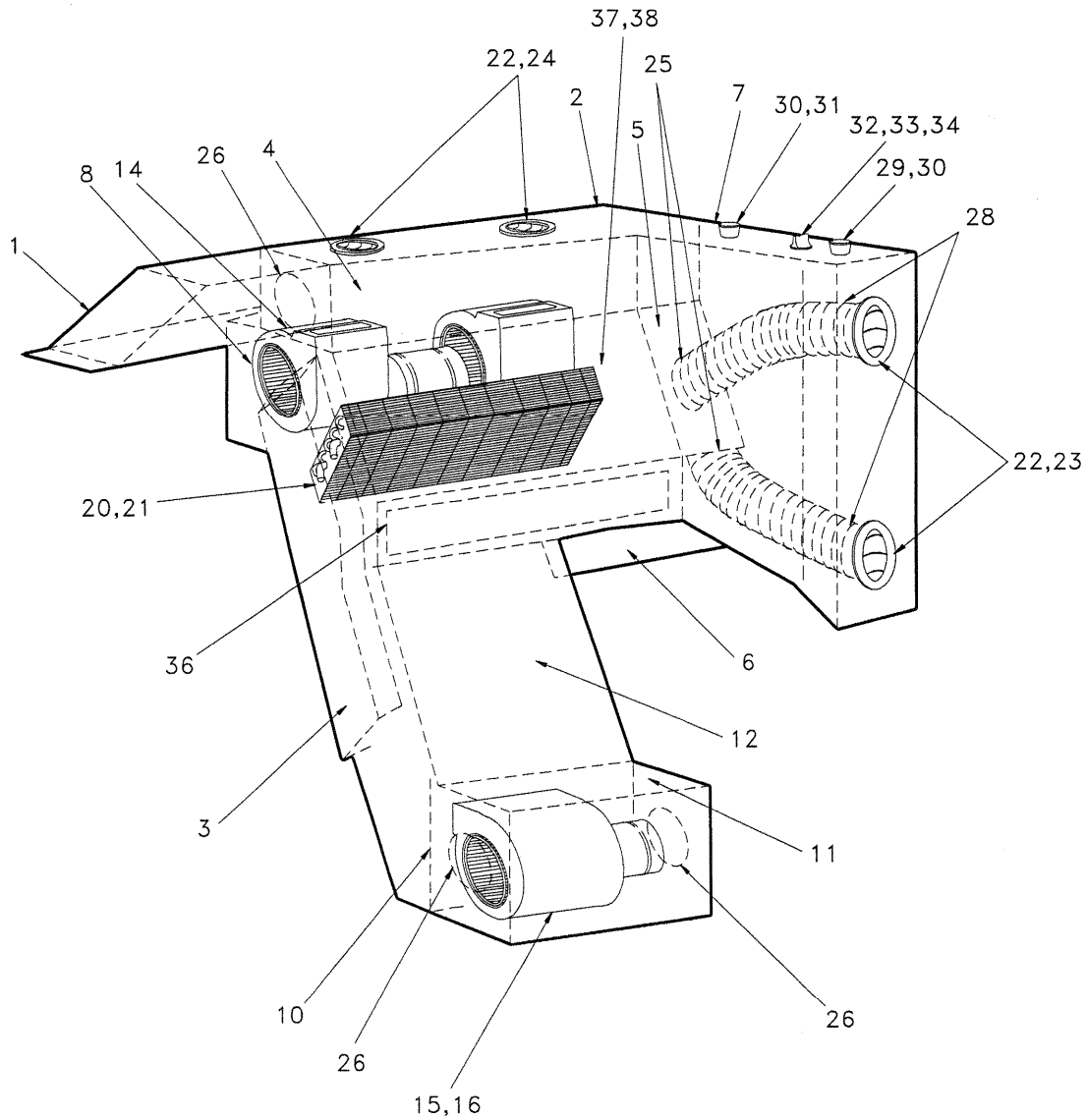
Condenser

| Item | Part No | Qty | Description | Item | Part No | Qty | Description |
|------|---------------|-----|------------------|------|---------|-----|------------------------|
| | R10541 | | Condenser | | | | |
| 1 | R11716 | 1 | . Casing | 7 | R11722 | 6 | . Motor Mount |
| 2 | R11717 | 1 | . Cover | 8 | R11723 | 6 | . Motor Support |
| 3 | R11718 | 1 | . Side Cover | 9 | R11724 | 3 | . Fan Bracket |
| 4 | R11719 | 1 | . Coil | 10 | R11725 | 4 | . Anti-Vibration Mount |
| 5 | R11720 | 3 | . Motor | 11 | R11726 | 2 | . Grommet |
| 6 | R11721 | 3 | . Fan Blade | | | | |



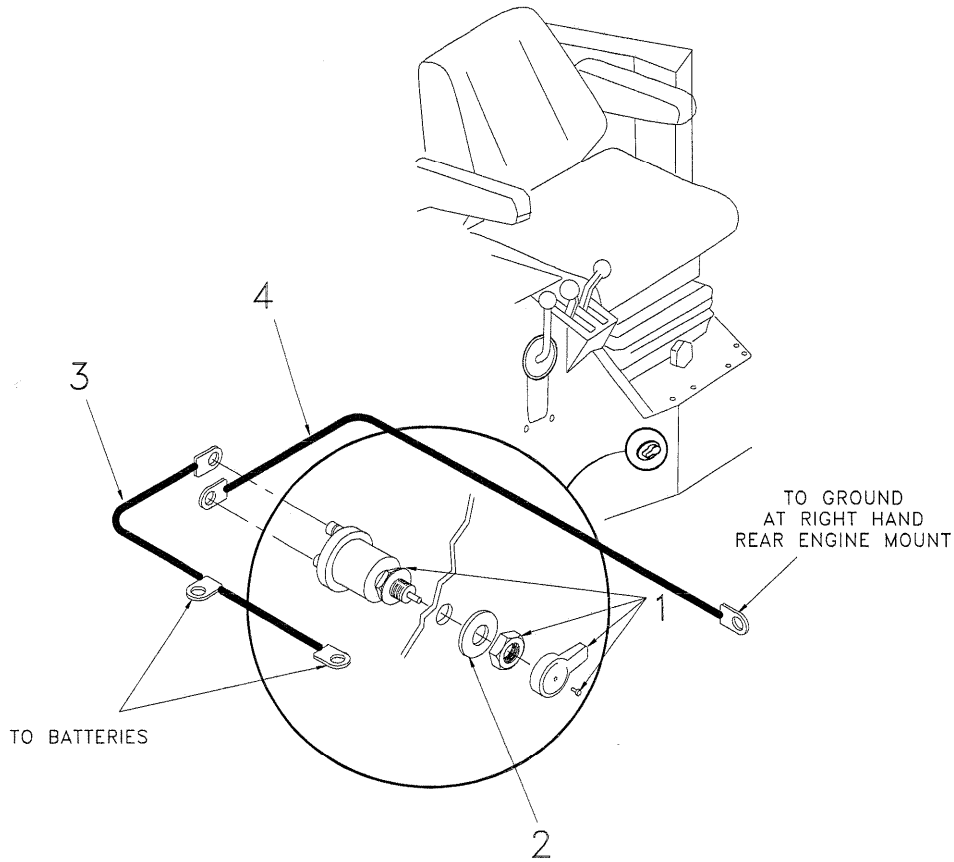
Heater Installation

| Item | Part No | Qty | Description | Item | Part No | Qty | Description |
|------|---------------|-----|----------------------------|------|-----------|-----|-------------------|
| | R11513 | | Heater Installation | | | | |
| 1 | R11514 | 1 | . Heater Kit | 12 | R13803313 | 8 | . Clamp, Hose |
| 2 | * R10656 | 1 | .. Heater (8 - 3.7) | 13 | R740873 | 1 | . Connector |
| 3 | R10672 | A/R | .. Hose | 14 | R740882 | 3 | . Sleeve |
| 4 | R10671 | 1 | .. Adapter | 15 | R740042 | 5 | . Loom |
| 5 | R840286 | 1 | .. Louver | 16 | R13802222 | 1 | . Fitting |
| 6 | R300038 | A/R | . Hose, Heater | 17 | R666842 | 1 | . Fitting |
| 7 | R13803305 | 4 | . Clamp | 18 | R13802219 | 1 | . Fitting |
| 8 | R11279 | 1 | . Plate | 19 | R552433 | 1 | . Pipcock |
| 9 | R13805980 | 2 | . Capscrew | 20 | R740821 | 1 | . Circuit Breaker |
| 10 | R13812213 | 2 | . Washer | 21 | R10060 | 1 | . Cap |
| 11 | R550083 | 2 | . Nutsert | | | | |



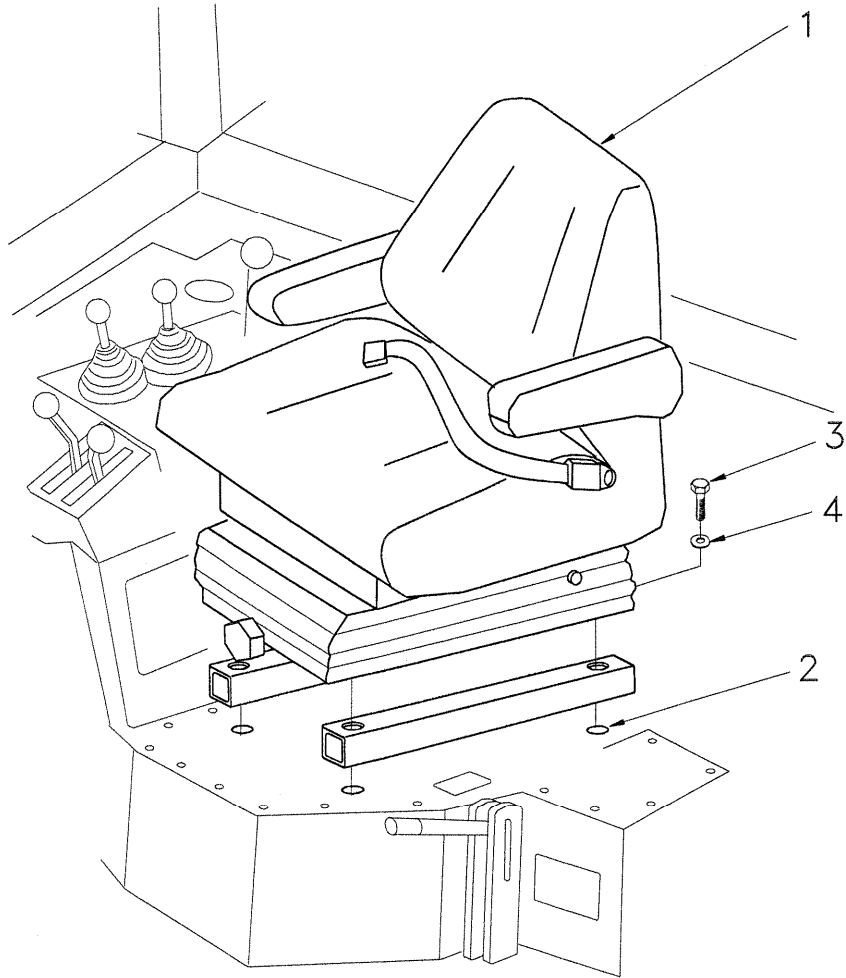
Heater

| Item | Part No | Qty | Description | Item | Part No | Qty | Description |
|---------------|---------|-----|--------------------|------|---------|-----|-------------------------|
| R10656 | | | | | | | |
| Heater | | | | | | | |
| 1 | R840268 | 1 | . Protector, Hose | 21 | R840081 | 1 | . Valve, Heater Control |
| 2 | R840269 | 1 | . Cover, Top | 22 | R840286 | 4 | . Louver |
| 3 | R840270 | 1 | . Cover | 23 | R840287 | 2 | . Hose End |
| 4 | R840271 | 1 | . Air Chamber | 24 | R840147 | 2 | . Adapter |
| 5 | R840272 | 1 | . Duct | 25 | R840172 | 2 | . Hose End |
| 6 | R840273 | 1 | . Bracket | 26 | R840173 | 3 | . Hose End |
| 7 | R840274 | 1 | . Panel, Control | 28 | R840289 | 2 | . Hose, Air |
| 8 | R840275 | 1 | . Bracket, Blower | 29 | R840290 | 1 | . Switch, Blower |
| 9 | R840276 | 1 | . Housing, Control | 30 | R840291 | 2 | . Knob |
| 10 | R840277 | 1 | . Plate, Blower | 31 | R840292 | 1 | . Blower |
| 11 | R840278 | 1 | . Cover, Lower | 32 | R840293 | 1 | . Rotary Control |
| 12 | R840279 | 1 | . Cover, Mid | 33 | R840294 | 1 | . Knob |
| 13 | R840280 | 1 | . Casing | 34 | R840295 | 1 | . Cable |
| 14 | R840281 | 1 | . Blower, 12v | 36 | R840297 | 1 | . Cover |
| 15 | R840282 | 1 | . Blower, 12v | 37 | R840298 | 1 | . Relay, 12v |
| 16 | R840165 | 1 | . Resistor, 12v | 38 | R840299 | 1 | . Socket/Relay |
| 20 | R840285 | 1 | . Coil, Heater | | | | |



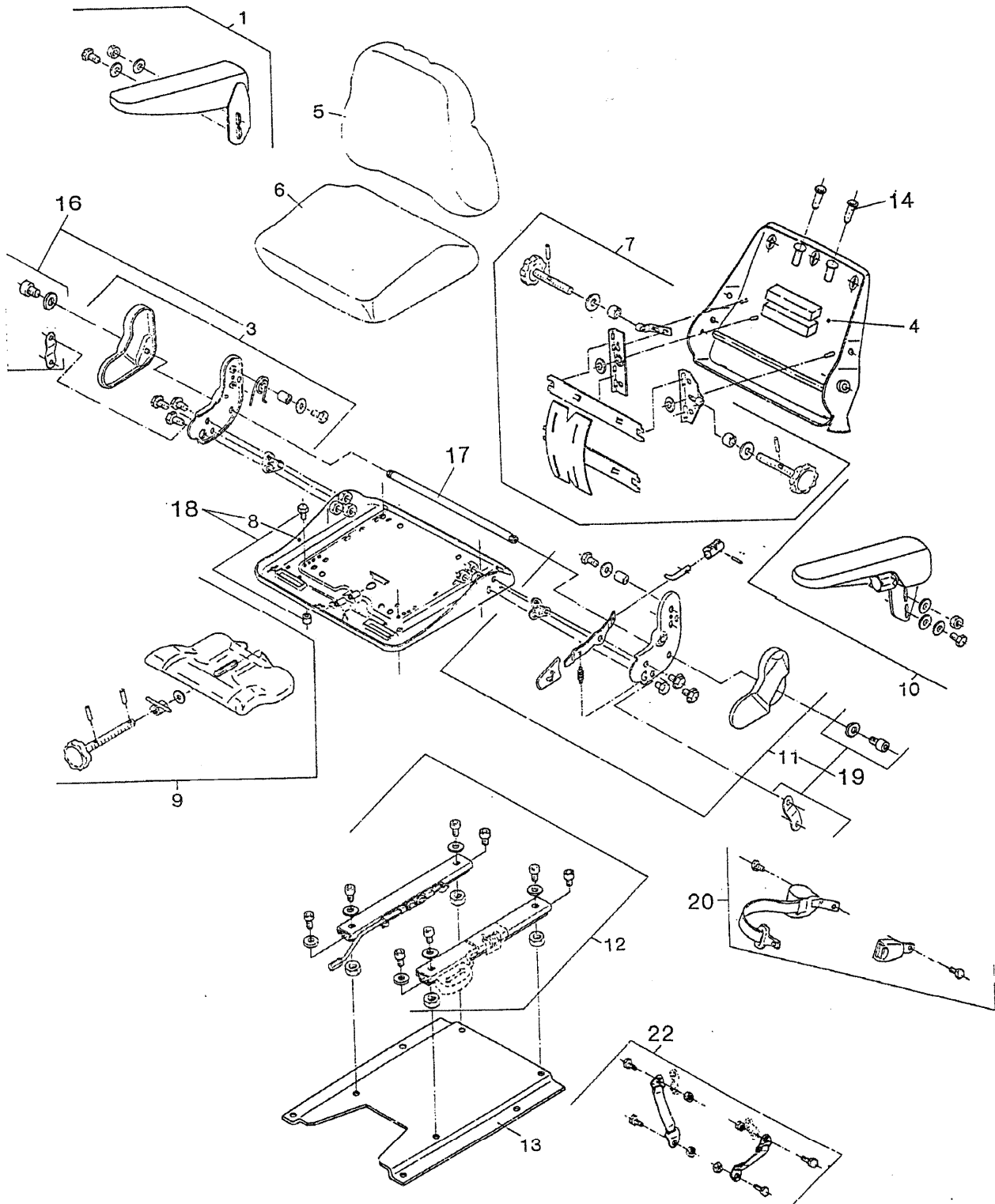
Battery Disconnect Switch

| Item | Part No | Qty | Description | Item | Part No | Qty | Description |
|------|---------------|-----|----------------------------------|------|---------|-----|-----------------|
| | R11298 | | Battery Disconnect Switch | | | | |
| 1 | R2020631 | 1 | . Switch | 3 | R10691 | 1 | . Battery Cable |
| 2 | R2020632 | 1 | . Face Plate | 4 | R10779 | 1 | . Ground Wire |



Seat Installation

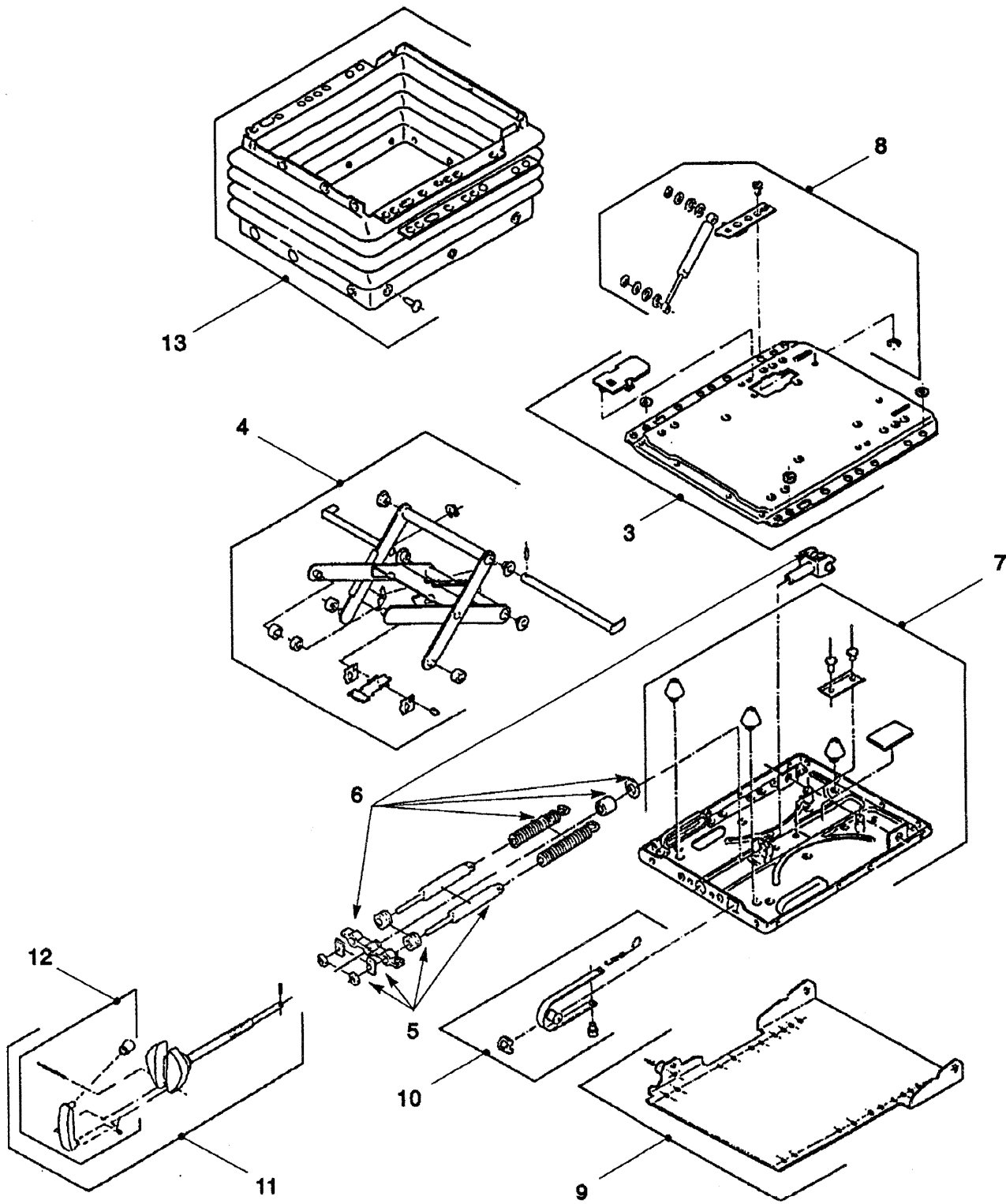
| Item | Part No | Qty | Description | Item | Part No | Qty | Description |
|------|---------------|-----|-----------------------------|------|-----------|-----|-------------|
| | R11216 | | Seat Installation | | | | |
| 1 | * R10600 | 1 | . Seat with Belt (8 - 3.10) | 3 | R13811039 | 4 | . Capscrew |
| 2 | R10763 | 2 | . Tube | 4 | R13802575 | 4 | . Washer |



Seat Assembly - Seat Top

Seat Assembly - Seat Top

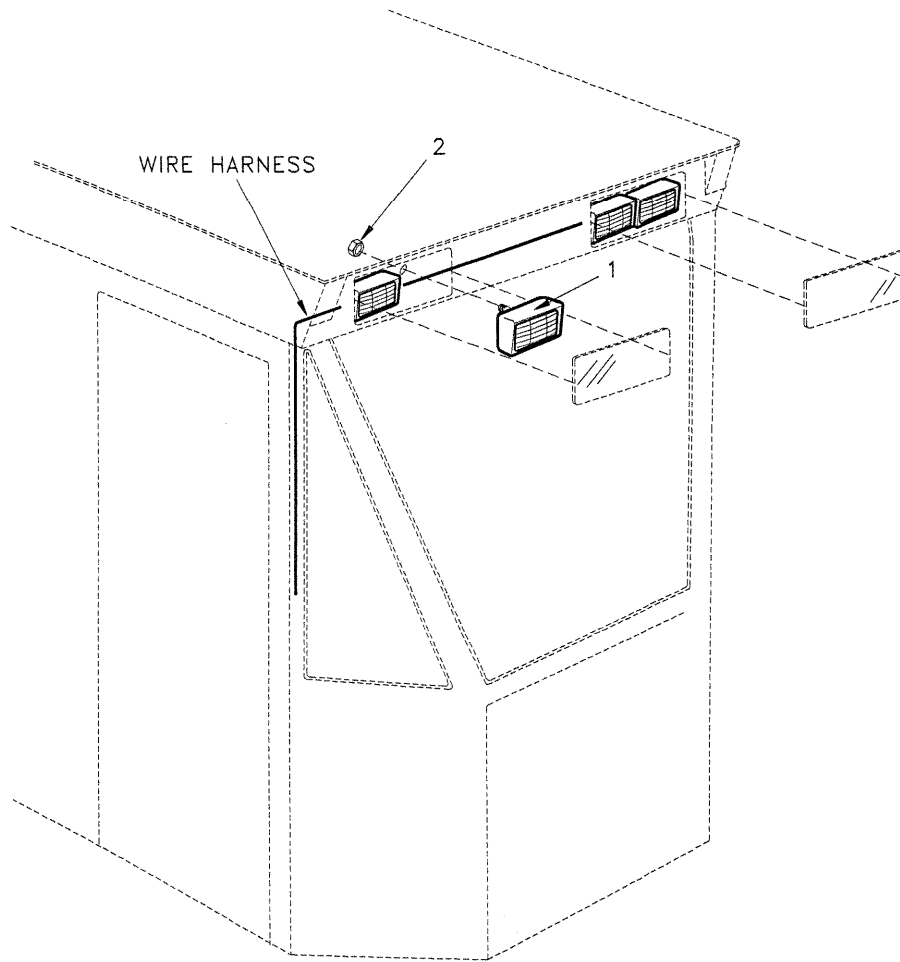
| Item | Part No | Qty | Description | Item | Part No | Qty | Description |
|------|-----------------|-----|---------------------------------|------|---------|-----|-----------------------------------|
| | R10600-1 | | Seat Assembly - Seat Top | | | | |
| | R11219 | 1 | . Seat Top Sub Assembly | 14 | R11228 | 2 | .. Cover |
| 1 | R11220 | 1 | .. Kit, RH Armrest | 16 | R11229 | 2 | .. Bracket |
| 4 | R11222 | 1 | .. Backrest Pan | 17 | R11230 | 1 | .. Cross Bar |
| 5 | R11223 | 1 | .. Backrest Cushion | 18 | R11231 | 1 | .. Seat Pan |
| 6 | R11224 | 1 | .. Seat Cushion | 19 | R11232 | 1 | .. Kit, Backrest Angle Adjustment |
| 7 | R11225 | 1 | .. Kit, Lumbar | 20 | R11465 | 1 | .. Seat Belt, Retractable |
| 10 | R11226 | 1 | .. Kit, LH Armrest | 22 | R11233 | 1 | .. Tether Belt |
| 12 | R11227 | 1 | .. Kit, Fore-Aft Adjustment | | | | |



Seat Assembly - Suspension

Seat Assembly - Suspension

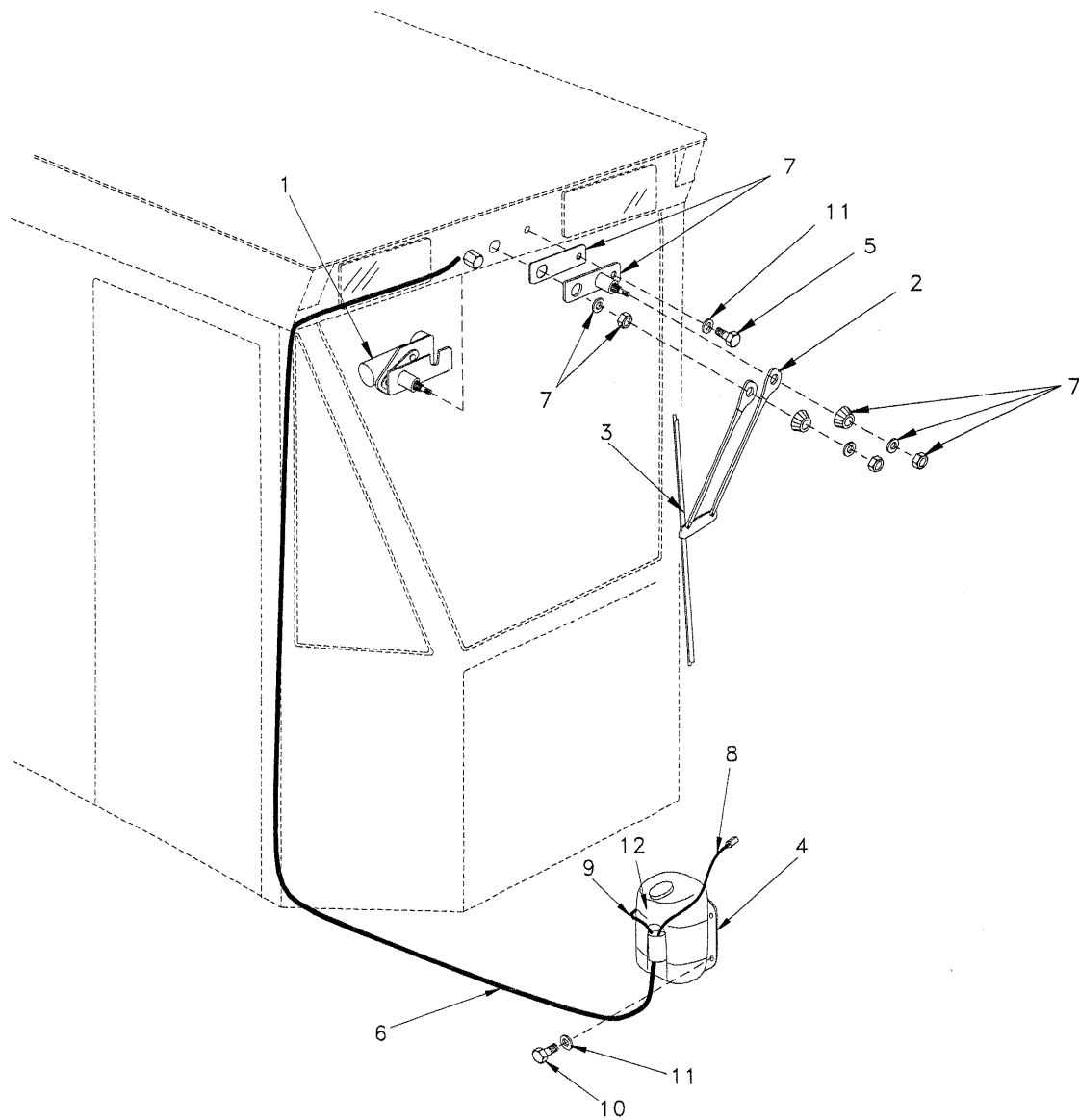
| Item | Part No | Qty | Description | Item | Part No | Qty | Description |
|------|-----------------|-----|-----------------------------------|------|---------|-----|----------------------------------|
| | R10600-2 | | Seat Assembly - Suspension | | | | |
| 1 | R10631 | 1 | . Suspension Sub Assembly | 8 | R11240 | 1 | .. Kit, Shock Absorber |
| 3 | R11235 | 1 | .. Kit, Upper Plate | 9 | R11241 | 1 | .. Plate |
| 4 | R11236 | 1 | .. Kit, Swing Arm | 10 | R11242 | 1 | .. Kit, Weight Indicator |
| 5 | R11237 | 1 | .. Kit, Shock Absorber | 11 | R11243 | 1 | .. Kit, Weight Adjustment |
| 6 | R11238 | 1 | .. Kit, Weight Adjustment Hwd. | 12 | R11244 | 1 | ... Kit, Weight Adjustment Crank |
| 7 | R11239 | 1 | .. Kit, Bottom Plate | 13 | R11245 | 1 | .. Bellows |



Headlight Installation

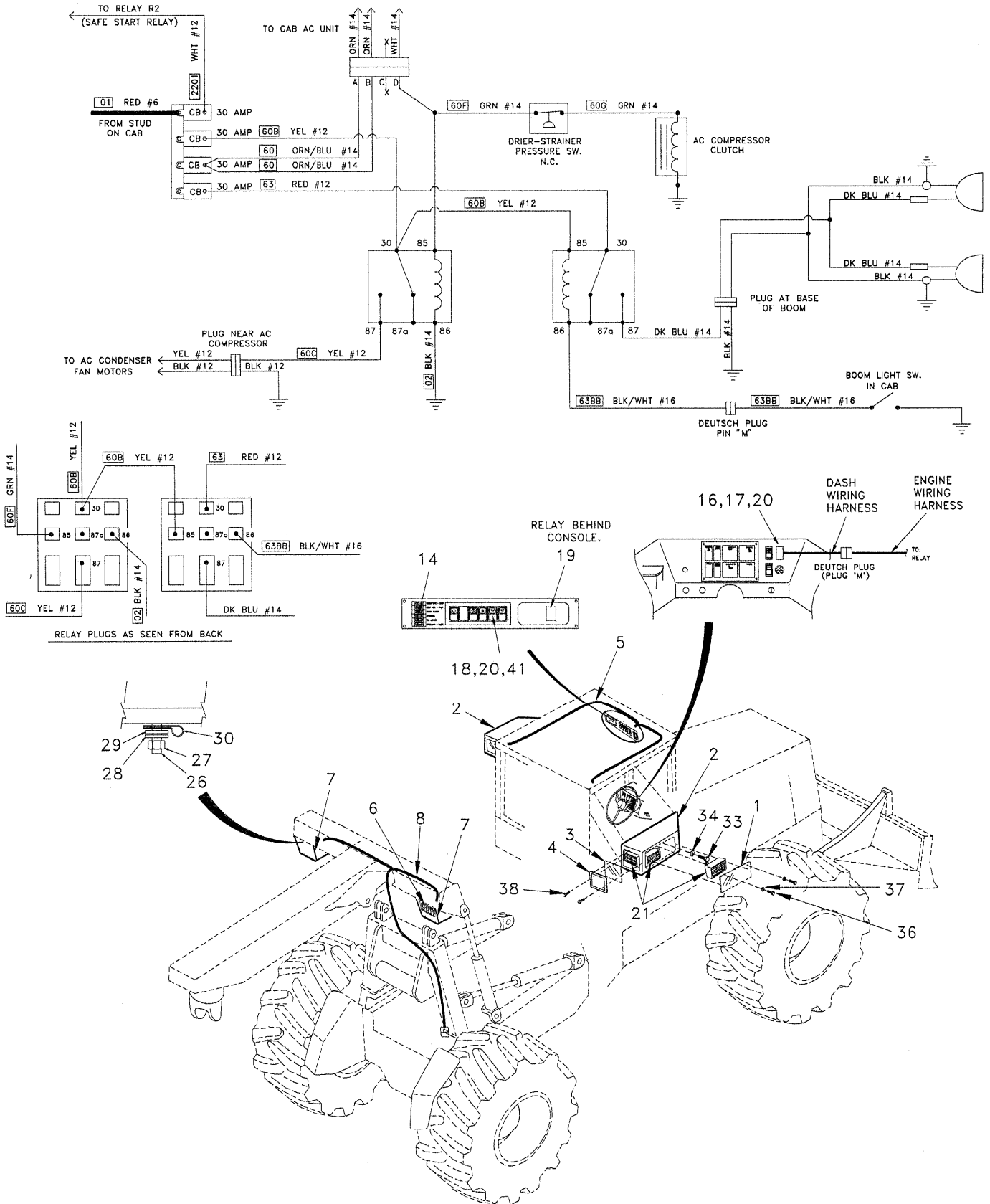
| Item | Part No | Qty | Description |
|------|---------------|-----|-------------------------------|
| | R11168 | | Headlight Installation |
| 1 | R10816 | 1 | . Light |
| 2 | R11499 | 1 | . Nut |

| Item | Part No | Qty | Description |
|------|---------|-----|-------------|
|------|---------|-----|-------------|



Wiper & Washer Installation

| Item | Part No | Qty | Description | Item | Part No | Qty | Description |
|------|---------------|-----|--|------|-----------|-----|-------------------|
| | R11191 | | Wiper & Washer Installation | | | | |
| 1 | R10707 | 1 | . Motor & Drive | 7 | R1811441 | 1 | . Slave Pivot Kit |
| 2 | R10708 | 1 | . Arm,wiper | 8 | R11165 | 1 | . Wire Asm |
| 3 | R10709 | 1 | . Blade, Wiper | 9 | R11670 | 1 | . Wire Asm |
| 4 | R10820 | 1 | . Washer Bottle/Pump | 10 | R13811189 | 4 | . Nut |
| 5 | R13810814 | 1 | . Capscrew | 11 | R13800826 | 5 | . Washer |
| 6 | R300086 | 1 | . Hose | 12 | R11671 | 1 | . Decal |



Auxiliary Lighting

Auxiliary Lighting

| Item | Part No | Qty | Description | Item | Part No | Qty | Description |
|------|---------------|-----|-------------------------------|------|-----------|-----|-------------------------------|
| | R11162 | | Auxiliary Lighting | | | | |
| 1 | R10782 | 2 | . Window | 23 | R11144 | 1 | . Elec Schem, A/C, Boom Light |
| 2 | R10785 | 2 | . Box Wldmt | 24 | R740821 | 1 | . Circuit Breaker |
| 3 | R10787 | 4 | . Window | 26 | R4016120 | 4 | . Stud, Weld |
| 4 | R10788 | 4 | . Weld, Cap | 27 | R13804175 | 4 | . Nut |
| 5 | R10795 | 2 | . Wire Harness | 28 | R13806995 | 4 | . Washer |
| 6 | R10816 | 2 | . Light | 29 | R13806869 | 4 | . Washer |
| 7 | R11159 | 2 | . Light Box Wldmt | 30 | R13803025 | 4 | . Clip |
| 8 | R12578491 | 1 | . Wire Harness | 31 | R11499 | 8 | . Nut |
| 13 | R740722 | 7 | . Clip, Cable | 32 | R13811447 | 8 | . Washer |
| 14 | R740765 | 1 | . Fuse | 33 | R13811075 | 4 | . Capscrew |
| 16 | R4510152 | 1 | . Switch, Light | 34 | R13811449 | 4 | . Washer |
| 17 | R11176 | 1 | . Symbol, Light | 35 | R552914 | 4 | . Spacer |
| 18 | R4510187 | 1 | . Switch, Light | 36 | R13804165 | 12 | . Mach Screw |
| 19 | R4510234 | 2 | . Relay | 37 | R13122 | 12 | . Washer |
| 20 | R4510235 | 2 | . Lamp, 12v | 38 | R13810991 | 4 | . Capscrew |
| 21 | R4610400 | 6 | . Light, work | 41 | R11175 | 1 | . Symbol |
| 22 | R11145 | 1 | . Wiring Harness, Boom Lights | | | | |

Intentionally blank

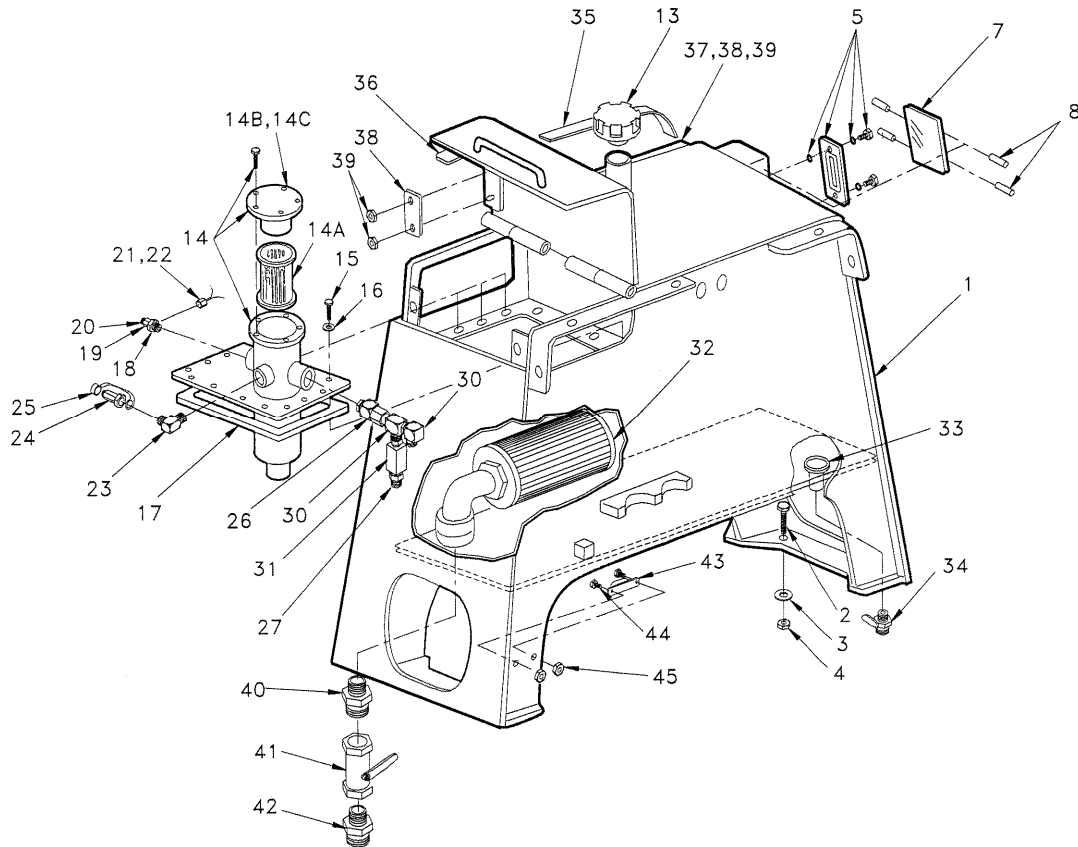
Section 9

Hydraulic System

| Page No | Description |
|--------------|---|
| 9 - 1 | Systems & Circuits |
| 9 - 1.1 | Hydraulic Tank Installation |
| 9 - 1.4 | Hydraulic Oil Cooler |
| 9 - 1.6 | Common Hydraulic Plumbing |
| 9 - 1.8 | Blade Hydraulic System |
| 9 - 1.10 | Winch Hydraulic Plumbing |
| 9 - 1.12 | Test Center |
| 9 - 1.16 | Parallelogram Hydraulic System |
| 9 - 1.20 | Hi Vis Hydraulic Plumbing |
| 9 - 1.22 | High Pressure Filter Kit Installation |
| 9 - 1.23 | High Pressure Filter Installation |
| ----- | Steering Hydraulic Plumbing - See Section 6 - 1 |
| 9 - 2 | Pumps |
| 9 - 2.1 | Hydraulic Pump Installation |
| 9 - 2.2 | Hydraulic Pump |
| ----- | Hydraulic Motor - See Section 1 - 3 |
| 9 - 3 | Valves |
| 9 - 3.1 | Parallelogram Main Hydraulic Control Installation |
| 9 - 3.2 | Parallelogram Main Hydraulic Control Valve |
| 9 - 3.7 | Hi Vis Hydraulic Control Valve Installation |
| 9 - 3.8 | Hi Vis Hydraulic Control Valve |
| 9 - 3.12 | Hydraulic Control Valve Lever Assembly |
| 9 - 3.13 | Hydraulic Control Valve Lever Assembly |
| ----- | Priority Valve - See Section 6 - 3 |
| ----- | Steering Valve - See Section 6 - 2 |
| 9 - 4 | Cylinders |
| 9 - 4.1 | Hydraulic Cylinder Locations |
| 9 - 4.2 | Hydraulic Cylinder - Blade |
| 9 - 4.3 | Hydraulic Cylinder - Steering |
| 9 - 4.4 | Hydraulic Cylinder - Parallelogram Arch/Boom |
| 9 - 4.5 | Hydraulic Cylinder - Parallelogram Grapple |
| 9 - 5 | Filters |
| ----- | Hydraulic Tank Filters - See Page 9 - 1 |
| 9 - 5.1 | Hydraulic Return Filter Assembly |
| 9 - 5.2 | High Pressure Filter Assembly |
| 9 - 6 | Miscellaneous |
| 9 - 6.1 | Hydraulic Hand Pump Installation |
| 9 - 6.2 | Hydraulic Hand Pump Assembly |

Intentionally blank

Last Used on Unit S/N 268

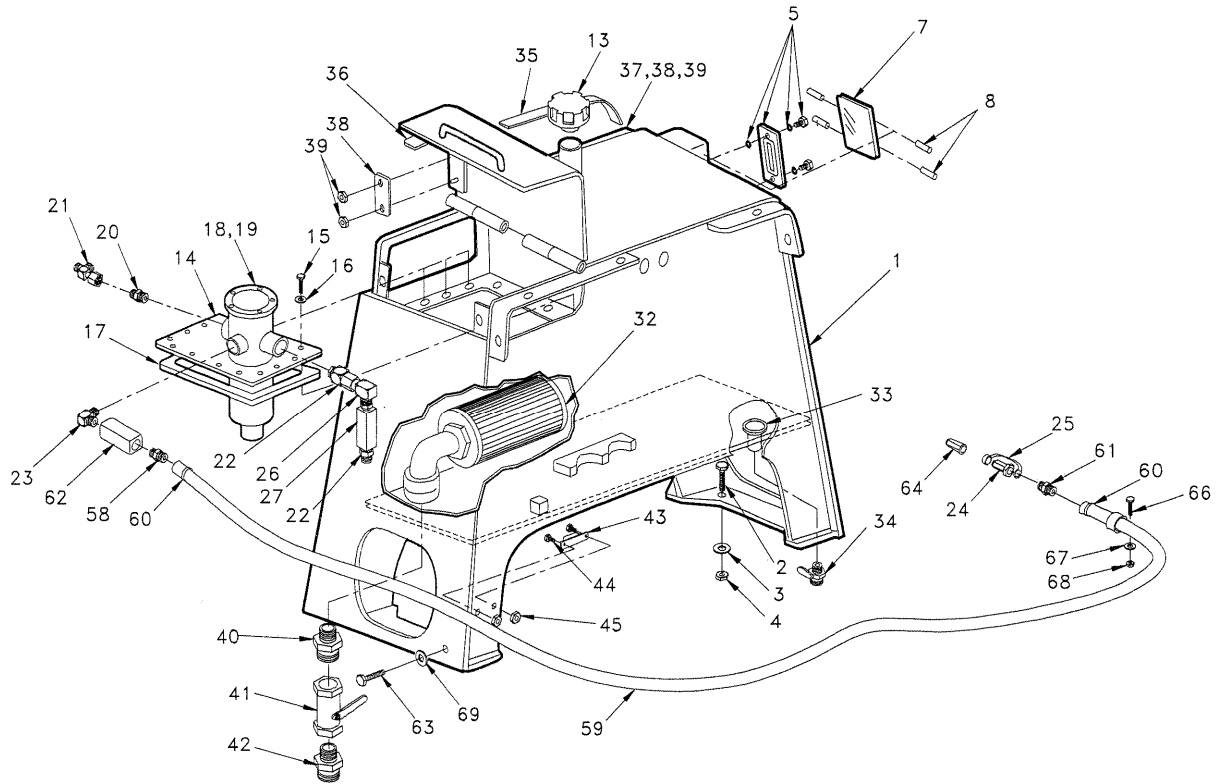


Hydraulic Tank Installation

| Item | Part No | Qty | Description | Item | Part No | Qty | Description |
|--|-----------|-----|------------------------|------|-----------|-----|-----------------------|
| *a R11582 Hydraulic Tank Installation | | | | | | | |
| 1 | R10507 | 1 | . Tank | 22 | R10412068 | 1 | . Sending Unit Rework |
| 2 | R13811124 | 4 | . Capscrew | 23 | R290155 | 1 | . Fitting |
| 3 | R10815 | 4 | . Washer | 24 | R330306 | 1 | . Coupler |
| 4 | R13811195 | 4 | . Nut | 25 | R330328 | 1 | . Cap, Dust |
| 5 | R31010012 | 1 | . Gauge, Sight | 26 | R833134 | 1 | . Fitting |
| | R11319 | 1 | . . Seal Kit | 27 | R833135 | 1 | . Fitting |
| 6 | R11320 | 2 | . Ring | 28 | R833270 | 1 | . Fitting |
| 7 | R10594 | 1 | . Window | 30 | R11595 | 1 | . Fitting Rework |
| 8 | R13809742 | 4 | . Pin | 31 | R11022 | 1 | . Valve, Check |
| 9 | R833456 | 1 | . Fitting | 32 | R1916053 | 1 | . Filter, Suction |
| 10 | R834051 | 1 | . Fitting | 33 | R525293 | 1 | . Magnet |
| 11 | R833801 | 1 | . Fitting | 34 | R4400409 | 1 | . Valve, Drain |
| 12 | R833557 | 1 | . Fitting | 35 | R10590 | 1 | . Trim, Neoprene |
| 13 | R10606 | 1 | . Breather Asm | 36 | R10591 | 1 | . Trim, Neoprene |
| 14 | R10527 | 1 | . Filter / Cover Wldmt | 37 | R10592 | 1 | . Bar |
| 14A | R12968390 | 1 | . . Filter | 38 | R10593 | 3 | . Bar |
| 14B | R11042 | 1 | . . Cover | 39 | R228301 | 10 | . Nut |
| 14C | R11073 | 1 | . . O-Ring | 40 | R11567 | 1 | . Fitting |
| 15 | R13810814 | 16 | . Capscrew | 41 | R11565 | 1 | . Valve, Ball |
| 16 | R720154 | 16 | . Seal | 42 | R11568 | 1 | . Fitting |
| 17 | R10525 | 1 | . Gasket | 43 | R740821 | 1 | . Circuit Breaker |
| 18 | R10762 | 1 | . Fitting Rework | 44 | R13813182 | 2 | . Screw |
| 19 | R10855 | 1 | . Fitting Rework | 45 | R13803445 | 2 | . Nut |
| 20 | R833125 | 1 | . Fitting | | | | |
| 21 | R290602 | 1 | . Fitting | | | | |

*a Last Used on Unit S/N 268

First Used on Unit S/N 269

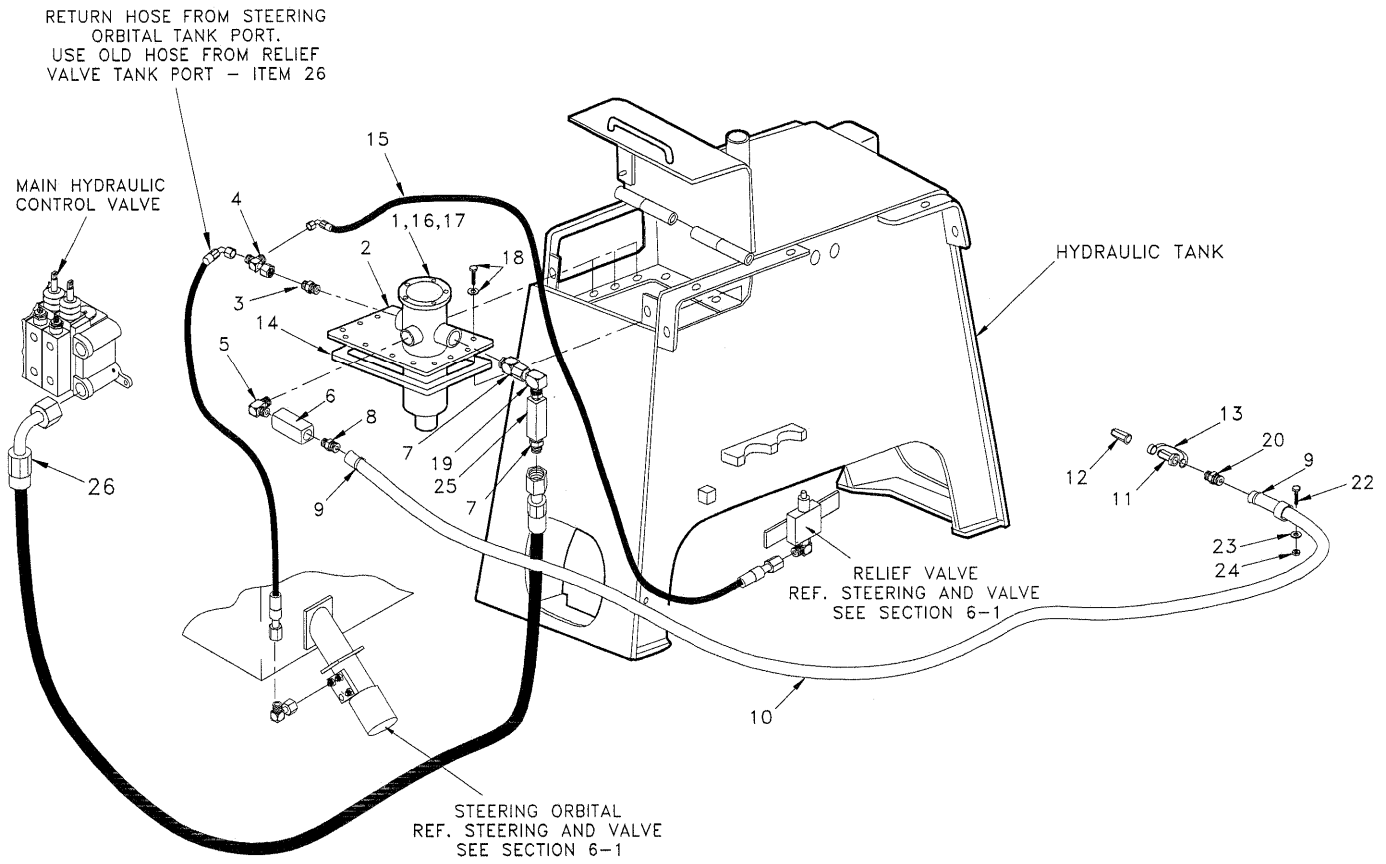


Hydraulic Tank Installation

| Item | Part No | Qty | Description | Item | Part No | Qty | Description |
|------|---------------|-----|------------------------------------|------|-----------|-----|-------------------|
| *a | R11653 | | Hydraulic Tank Installation | 32 | R1916053 | 1 | . Filter, Suction |
| 1 | R10507 | 1 | . Tank | 33 | R11686 | 1 | . Magnet |
| 2 | R13811124 | 4 | . Capscrew | 34 | R4400409 | 1 | . Valve, Drain |
| 3 | R10815 | 4 | . Washer | 35 | R10590 | 1 | . Trim, Neoprene |
| 4 | R13811195 | 4 | . Nut | 36 | R10591 | 1 | . Trim, Neoprene |
| 5 | R31010012 | 1 | . Gauge, Sight | 37 | R10592 | 1 | . Bar |
| | R11319 | 1 | . Seal Kit | 38 | R10593 | 3 | . Bar |
| 6 | R11320 | 2 | . Ring | 39 | R228301 | 10 | . Nut |
| 7 | R10594 | 1 | . Window | 40 | R11567 | 1 | . Fitting |
| 8 | R13809742 | 4 | . Pin | 41 | R11565 | 1 | . Valve, Ball |
| 9 | R833456 | 1 | . Fitting | 42 | R11568 | 1 | . Fitting |
| 10 | R834051 | 1 | . Fitting | 43 | R740821 | 1 | . Circuit Breaker |
| 11 | R833801 | 1 | . Fitting | 44 | R13813182 | 2 | . Screw |
| 12 | R833557 | 1 | . Fitting | 45 | R13803445 | 2 | . Nut |
| 13 | R10606 | 1 | . Breather Asm | 58 | R11877 | 1 | . Fitting |
| 14 | R11654 | 1 | . Filter / Cover Plate | 59 | R13408 | A/R | . Hose |
| 15 | R13810814 | 16 | . Capscrew | 60 | R13803306 | 2 | . Clamp |
| 16 | R720154 | 16 | . Seal | 61 | R11878 | 1 | . Fitting |
| 17 | R10525 | 1 | . Gasket | 62 | R11873 | 1 | . Check Valve |
| 18 | * R11862 | 1 | . Filter Asm (9 - 5.1) | 63 | R1915267 | 2 | . Capscrew |
| 19 | R13806273 | 4 | . Capscrew | 64 | R330307 | 1 | . Coupler |
| 20 | R833127 | 1 | . Fitting | 65 | R13803059 | 1 | . Clip |
| 21 | R834055 | 1 | . Fitting | 66 | R13811012 | 1 | . Capscrew |
| 22 | R833135 | 1 | . Fitting | 67 | R13812513 | 1 | . Washer |
| 23 | R13409 | 1 | . Fitting | 68 | R13811190 | 1 | . Nut |
| 24 | R330306 | 1 | . Coupler | 69 | R13811431 | 2 | . Washer |
| 25 | R330328 | 1 | . Cap, Dust | | | | |
| 26 | R11658 | 1 | . Fitting | | | | |
| 27 | R11022 | 1 | . Valve, Check | | | | |

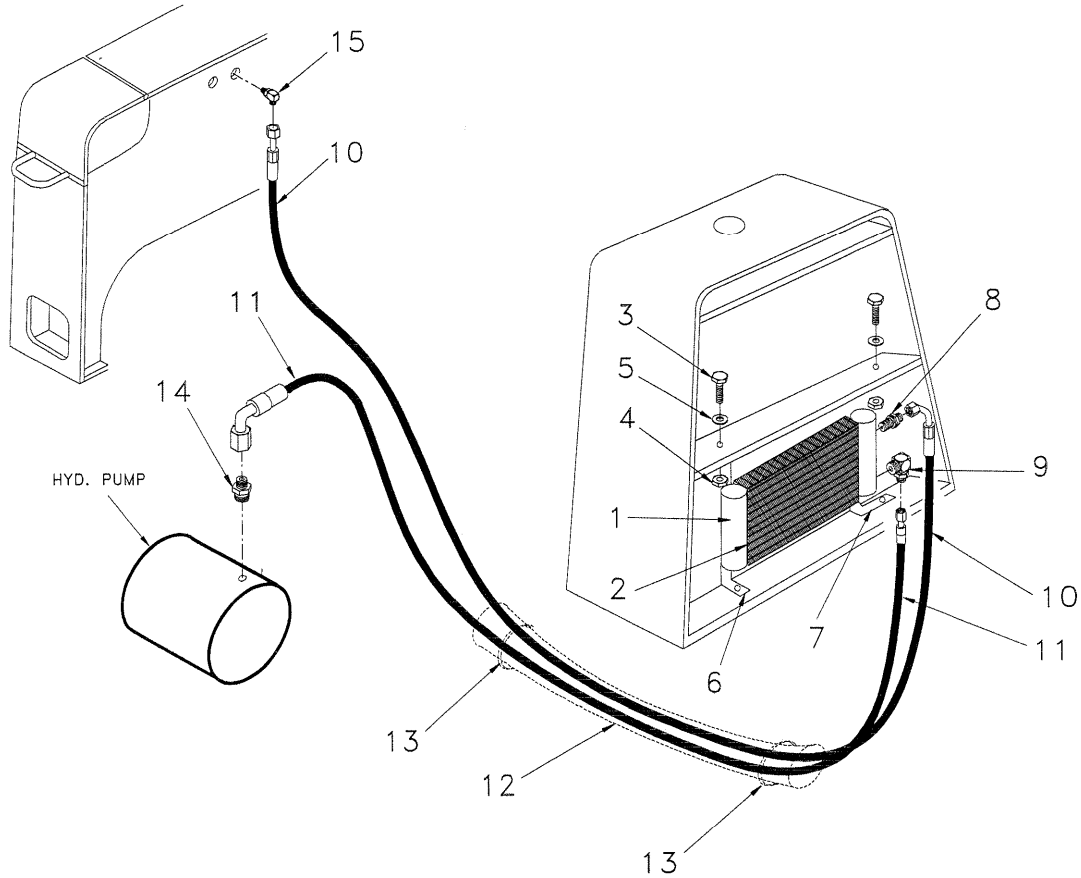
*a First Used on Unit S/N 269

Return Filter Upgrade Kit - For Units Prior to S/N 269



Hydraulic Return Filter Kit Installation

| Item | Part No | Qty | Description | Item | Part No | Qty | Description |
|---|---------------|-----|------------------------|------|--|-----|-------------|
| Hydraulic Return Filter Installation | | | | | | | |
| *b | R13776 | | | | | | |
| 1 | * R11862 | 1 | . Filter Asm (9 - 5.1) | 16 | R13811074 | 4 | . Capscrew |
| 2 | R11654 | 1 | . Filter / Cover Plate | 17 | R13812516 | 4 | . Washer |
| 3 | R833127 | 1 | . Fitting | 18 | R720154 | 16 | . Seal |
| 4 | R834055 | 1 | . Fitting | *a | R13810814 | 16 | . Capscrew |
| 5 | R13409 | 1 | . Fitting | 19 | R11658 | 1 | . Fitting |
| 6 | R11873 | 1 | . Check Valve | 20 | R11878 | 1 | . Fitting |
| 7 | R833135 | 1 | . Fitting | 21 | R13803059 | 1 | . Clip |
| 8 | R11877 | 1 | . Fitting | 22 | R13811012 | 1 | . Capscrew |
| 9 | R13803306 | 2 | . Clamp | 23 | R13812513 | 1 | . Washer |
| 10 | R13408 | A/R | . Hose | 24 | R13811190 | 1 | . Nut |
| 11 | R330306 | 1 | . Coupler | 25 | *a R12700 | 1 | . Hose Asm |
| 12 | R330307 | 1 | . Coupler | 26 | *a R12303 | 1 | . Hose Asm |
| 13 | R330328 | 1 | . Cap, Dust | | | | |
| 14 | R10525 | 1 | . Gasket | | | | |
| 15 | R11857 | 1 | . Hose | | | | |
| | | | | *a | Use existing Components - Not part of Kit | | |
| | | | | *b | Return Filter Upgrade Kit - For Units Prior to S/N 269 | | |

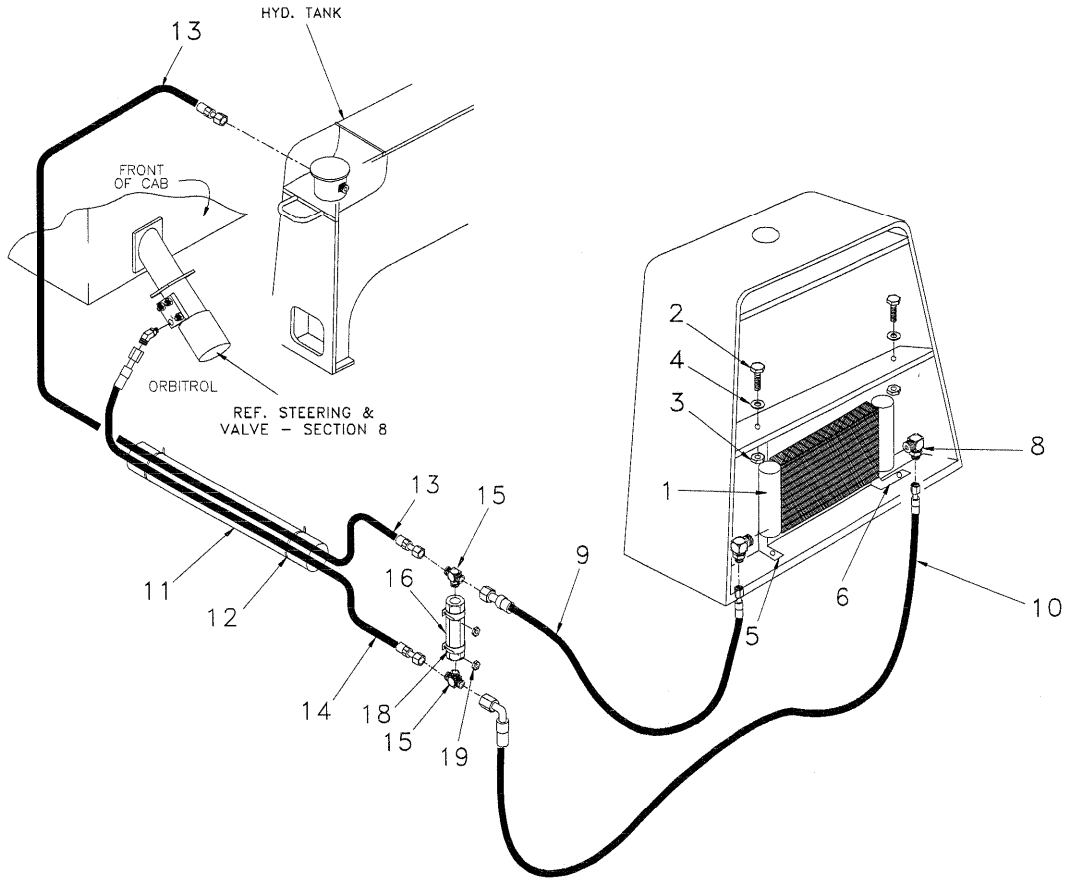


Hydraulic Oil Cooler

| Item | Part No | Qty | Description | Item | Part No | Qty | Description |
|------|---------------|-----|-----------------------------|------|-----------|-----|-------------|
| *a | R11712 | | Hydraulic Oil Cooler | | | | |
| 1 | R10770 | 1 | . Oil Cooler | 10 | R12223 | 1 | . Hose Asm |
| 2 | R10771 | 1 | . Kit, Oil Cooler Mtg | 11 | R12224 | 1 | . Hose Asm |
| 3 | R13805980 | 4 | . Capscrew | 12 | R12577880 | A/R | . Sleeve |
| 4 | R13811189 | 4 | . Nut | 13 | R1736910 | 2 | . Strap |
| 5 | R13811443 | 4 | . Washer | 14 | R833112 | 1 | . Fitting |
| 6 | R10768 | 1 | . Bar | 15 | R833557 | 1 | . Fitting |
| 7 | R10767 | 1 | . Oil Cooler Mt Wldmt | | | | |
| 8 | R833113 | 1 | . Fitting | | | | |
| 9 | R833262 | 1 | . Fitting | | | | |

*a Last used on Unit S/N 268

First used on Unit S/N 270

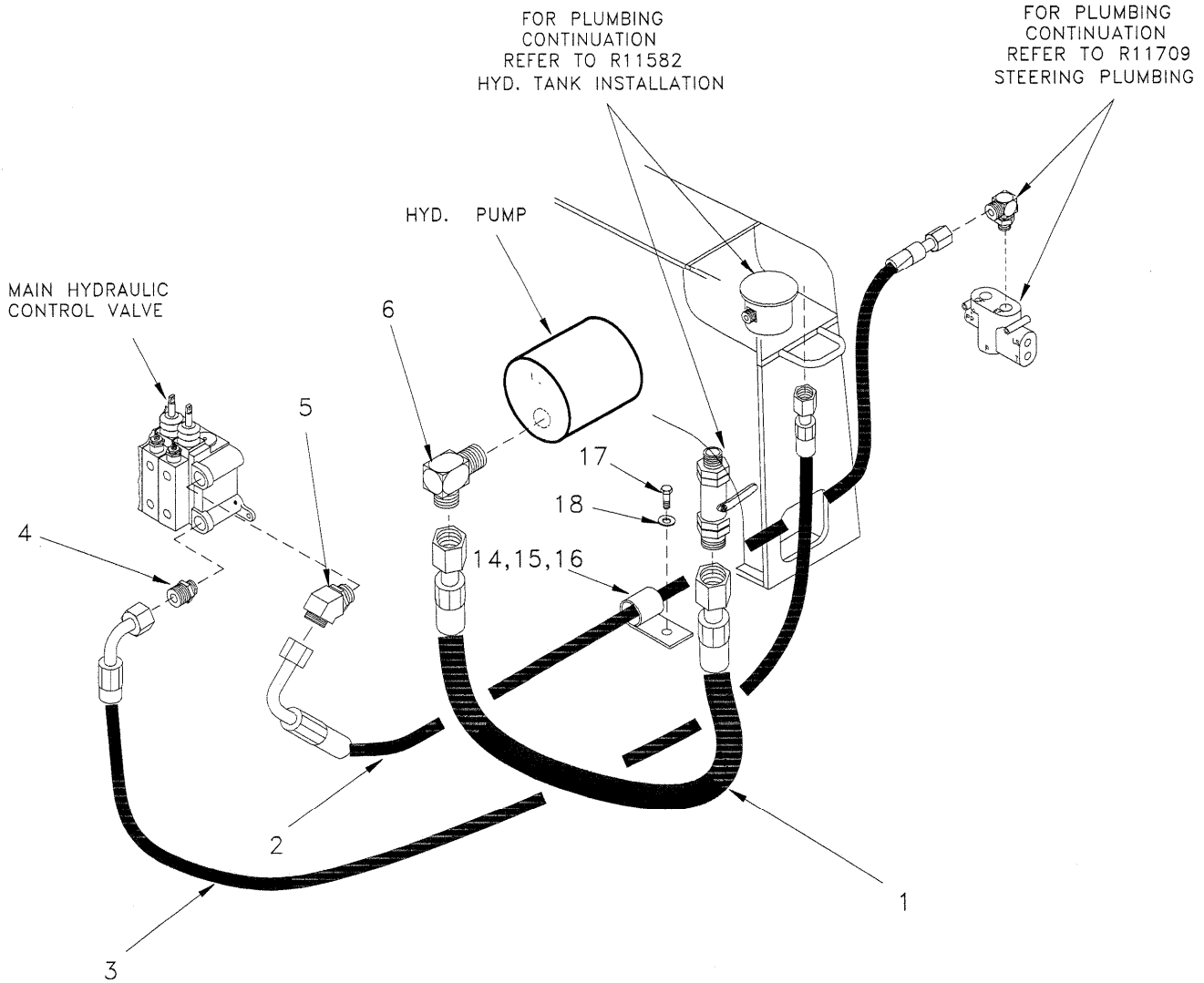


Hydraulic Oil Cooler

| Item | Part No | Qty | Description |
|------|---------------|-----|-----------------------------|
| *a | R13429 | | Hydraulic Oil Cooler |
| 1 | R11872 | 1 | . Oil Cooler |
| 2 | R13805980 | 4 | . Capscrew |
| 3 | R13811189 | 4 | . Nut |
| 4 | R13811443 | 4 | . Washer |
| 5 | R10768 | 1 | . Bar |
| 6 | R10767 | 1 | . Oil Cooler Mt Wldmt |
| 8 | R833270 | 1 | . Fitting |
| 9 | R13534 | 1 | . Hose Asm |
| 10 | R12326 | 1 | . Hose Asm |
| 11 | R12577880 | A/R | . Sleeve |

| Item | Part No | Qty | Description |
|------|-----------|-----|---------------|
| 12 | R1736910 | 2 | . Tie Strap |
| 13 | R1736910 | 2 | . Strap |
| 14 | R833112 | 1 | . Fitting |
| 15 | R833557 | 1 | . Fitting |
| 16 | R13430 | 1 | . Check Valve |
| 18 | R13808110 | 2 | . Clamp |
| 19 | R13803675 | 2 | . Nut |

*a First used on Unit S/N 270

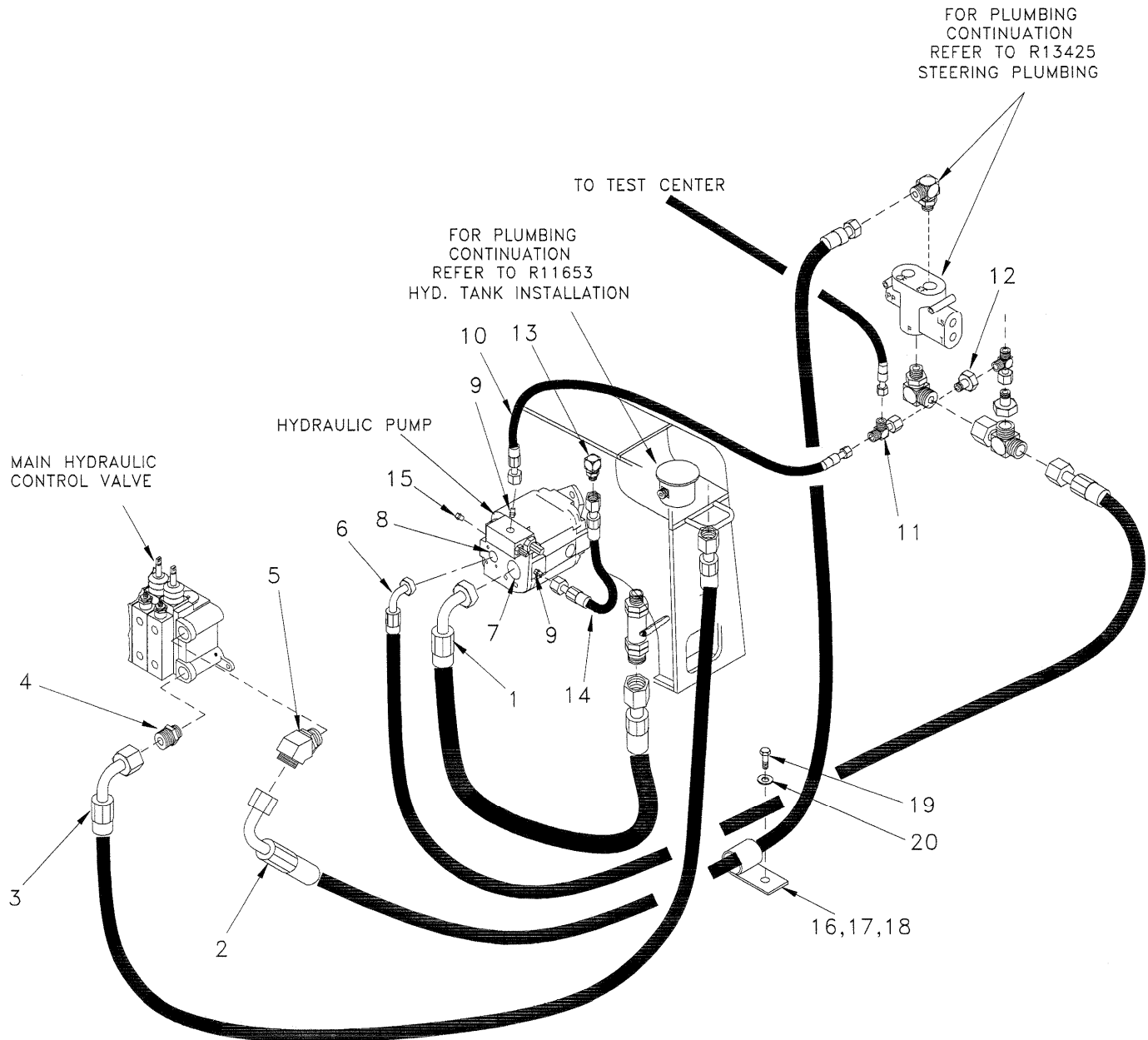


Common Hydraulic Hose Installation

| Item | Part No | Qty | Description | Item | Part No | Qty | Description |
|---|----------|-----|-------------|------|-----------|-----|-------------|
| *a R11438 Common Hydraulic Hose Installation | | | | | | | |
| 1 | R11579 | 1 | . Hose Asm | 15 | R4075492 | 1 | . Clamp |
| 2 | R12501 | 1 | . Hose Asm | 16 | R4075493 | 1 | . Clamp |
| 3 | R12700 | 1 | . Hose Asm | 17 | R13810856 | 1 | . Capscrew |
| 4 | R833134 | 1 | . Fitting | 18 | R13812514 | 1 | . Washer |
| 5 | R833217 | 1 | . Fitting | | | | |
| 6 | R833281 | 1 | . Fitting | | | | |
| 14 | R4075497 | 1 | . Grommet | | | | |

*a Last Used on Unit S/N 268

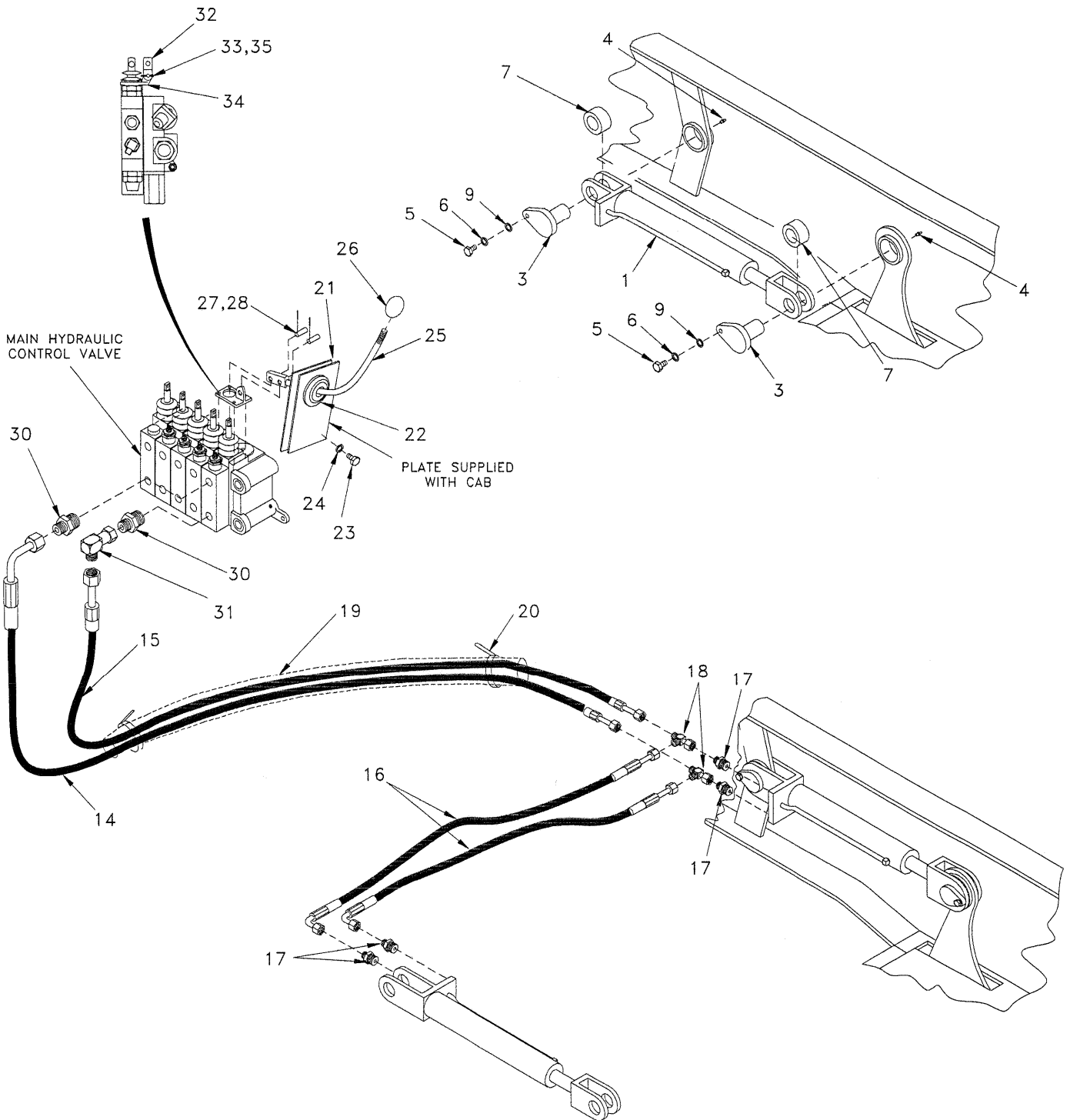
First Used on Unit S/N 269



Common Hydraulic Hose Installation

| Item | Part No | Qty | Description | Item | Part No | Qty | Description |
|---|---------|-----|--------------------|------|-----------|-----|-------------|
| *a R11859 Common Hyd. Hose Installation | | | | | | | |
| 1 | R11598 | 1 | . Hose Asm | 12 | R833704 | 1 | . Fitting |
| 2 | R12501 | 1 | . Hose Asm | 13 | R833557 | 1 | . Fitting |
| 3 | R12700 | 1 | . Hose Asm | 14 | R12209 | 1 | . Hose Asm |
| 4 | R833134 | 1 | . Fitting | 15 | R13807547 | 1 | . Fitting |
| 5 | R833217 | 1 | . Fitting | 16 | R4075497 | 1 | . Grommet |
| 6 | R13536 | 1 | . Hose Asm | 17 | R4075492 | 1 | . Clamp |
| 7 | R11597 | 1 | . Split Flange Kit | 18 | R4075493 | 1 | . Clamp |
| 8 | R11596 | 1 | . Split Flange Kit | 19 | R13810856 | 1 | . Capscrew |
| 9 | R833114 | 2 | . Fitting | 20 | R13812514 | 1 | . Washer |
| 10 | R13536 | 1 | . Hose Asm | | | | |
| 11 | R834055 | 1 | . Fitting | | | | |

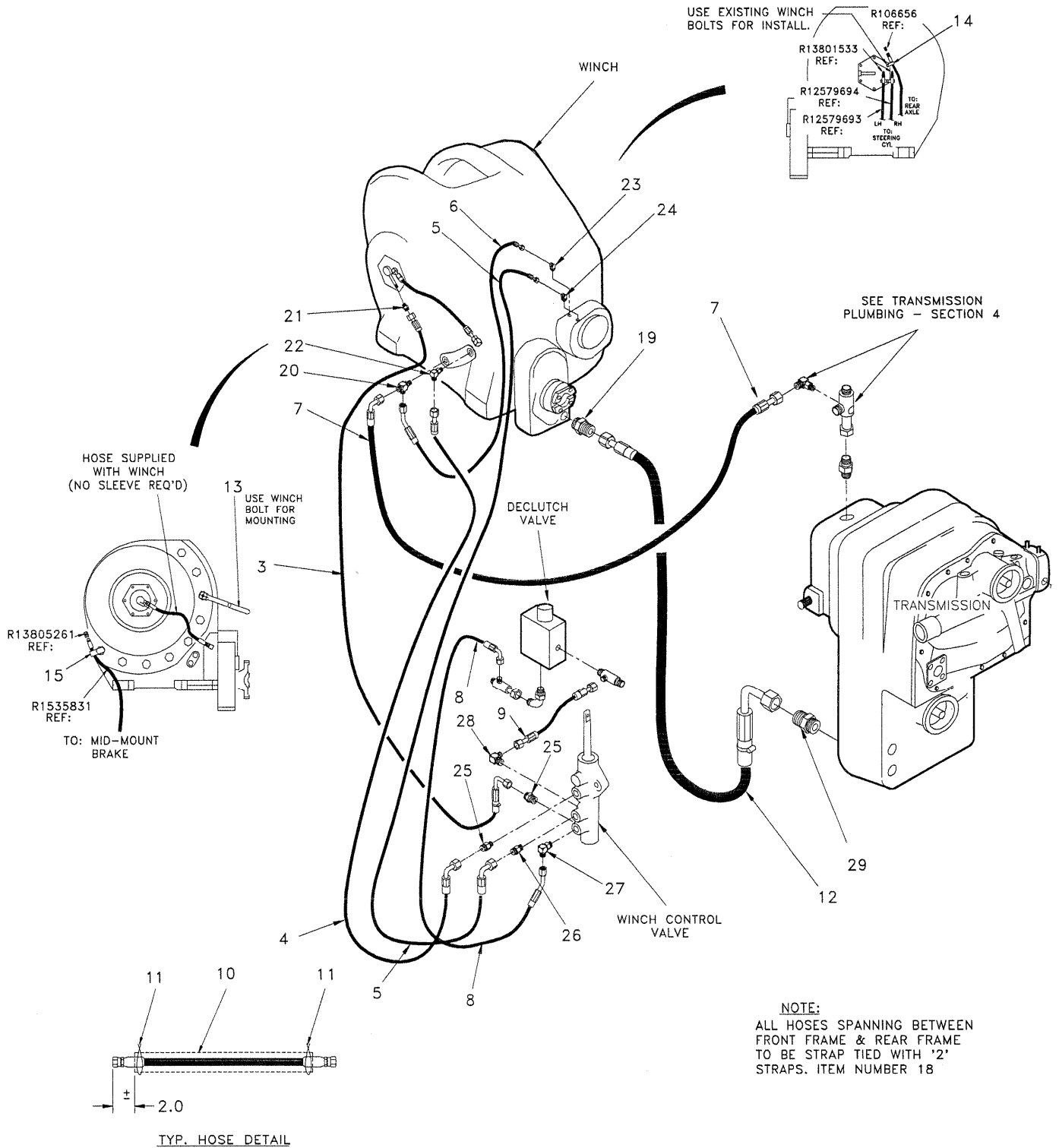
*a First Used on Unit S/N 269



Blade Hydraulics

Blade Hydraulics

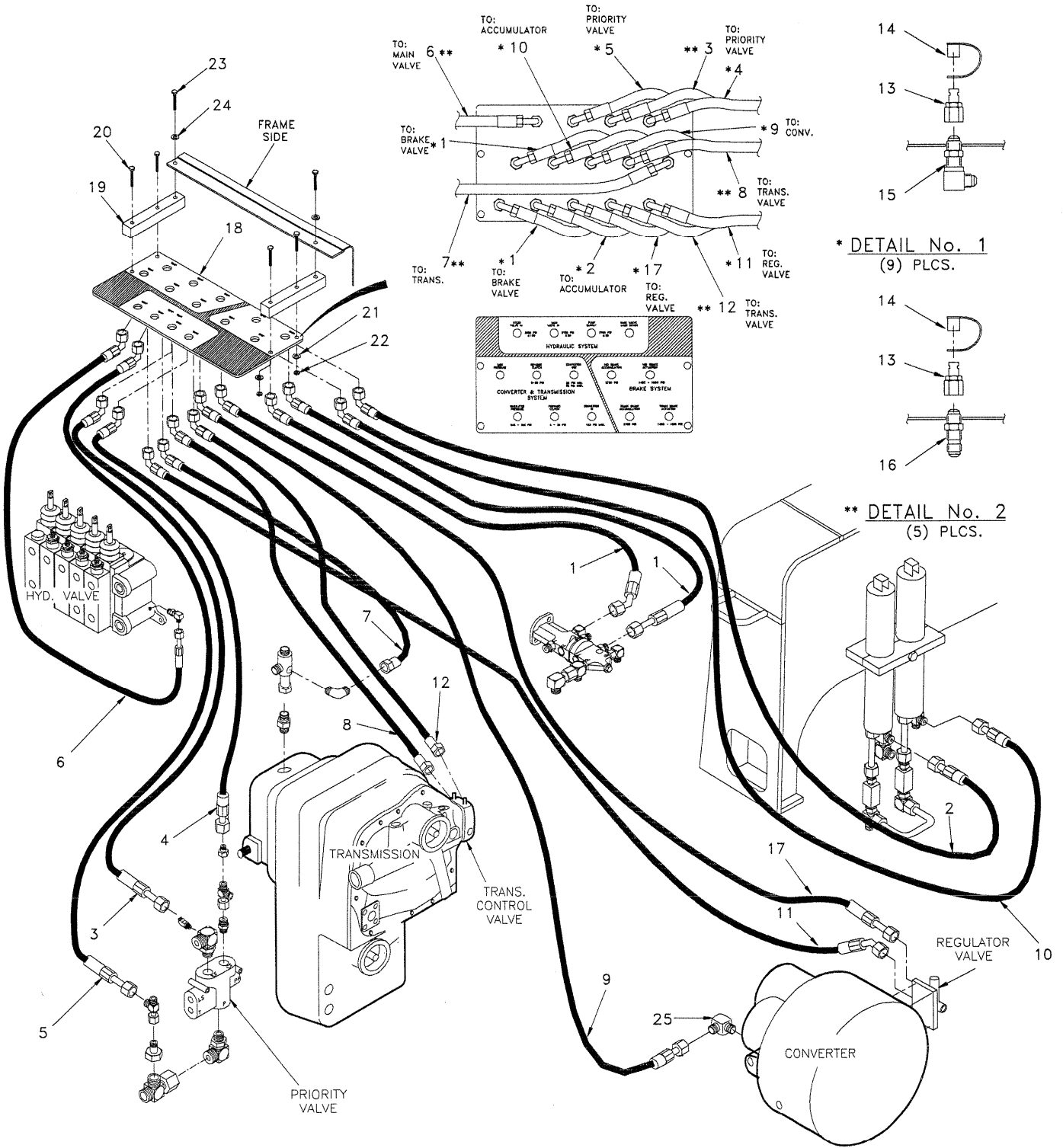
| Item | Part No | Qty | Description | Item | Part No | Qty | Description |
|--------------------------------|------------|-----|--------------------------------|------|-----------|-----|--------------------------|
| R11763 Blade Hydraulics | | | | | | | |
| 1 | * R10081 | 2 | . Hydraulic Cylinder (9 - 4.2) | 21 | R10772 | 1 | . Plate |
| 2 | * R1937838 | 1 | . Blade Asm (1 - 2.1) | 22 | R1933522 | 1 | . Bellows |
| 3 | R12574706 | 4 | . Pin Asm | 23 | R13810993 | 8 | . Capscrew |
| 4 | R13801339 | 4 | . Fitting, Lube | 24 | R13811429 | 8 | . Washer |
| 5 | R13811074 | 4 | . Capscrew | 25 | R13627 | 1 | . Blade Ctrl Wldmt |
| 6 | R13811433 | 4 | . Washer | 26 | R10410233 | 1 | . Knob, Black |
| 7 | R1574466 | 4 | . Bearing | 27 | R13809920 | 2 | . Pin, Clevis |
| 9 | R2529808 | 4 | . Spacer | 28 | R13800364 | 2 | . Pin, Cotter |
| 14 | R12201 | 1 | . Hose Asm | 30 | R833115 | 2 | . Fitting |
| 15 | R12202 | 1 | . Hose Asm | 31 | R833802 | 1 | . Fitting |
| 16 | R12203 | 2 | . Hose Asm | 32 | R10410720 | 1 | . Retainer, Lever |
| 17 | R833115 | 4 | . Fitting | 33 | R10410721 | 1 | . Pin, Clevis |
| 18 | R834052 | 2 | . Fitting | 34 | R10410724 | 1 | . Plate - Linkage, Shift |
| 19 | R12577881 | A/R | . Sleeve | 35 | R13800351 | 1 | . Pin, Cotter |
| 20 | R1539058 | 4 | . Strap, Tie | | | | |



Winch Hydraulics

Winch Hydraulics

| Item | Part No | Qty | Description | Item | Part No | Qty | Description |
|------|---------------|-----|-------------------------|------|---------|-----|-------------|
| | R11477 | | Winch Hydraulics | | | | |
| 3 | R12114 | 1 | . Hose Asm | 18 | R11212 | 2 | . Strap |
| 4 | R12106 | 1 | . Hose Asm | 19 | R833469 | 1 | . Fitting |
| 5 | R12002 | 1 | . Hose Asm | 20 | R833403 | 1 | . Fitting |
| 6 | R12109 | 1 | . Hose Asm | 21 | R833108 | 1 | . Fitting |
| 7 | R12107 | 1 | . Hose Asm | 22 | R833257 | 1 | . Fitting |
| 8 | R12211 | 1 | . Hose Asm | 23 | R833204 | 1 | . Fitting |
| 9 | R12104 | 1 | . Hose Asm | 24 | R833201 | 1 | . Fitting |
| 10 | R12577882 | A/R | . Sleeve | 25 | R833107 | 2 | . Fitting |
| 11 | R1539058 | 14 | . Strap | 26 | R833102 | 1 | . Fitting |
| 12 | R12602 | 1 | . Hose Asm | 27 | R833262 | 1 | . Fitting |
| 13 | R12577865 | 1 | . Guide, Hose | 28 | R833256 | 1 | . Fitting |
| 14 | R13801359 | 3 | . Clip | 29 | R833419 | 1 | . Fitting |
| 15 | R13803049 | 1 | . Clip | | | | |



Test Center

Test Center

| Item | Part No | Qty | Description |
|------|------------------|-----|--------------------|
| | *a R11847 | | Test Center |
| 1 | R12008 | 2 | . Hose Asm |
| 2 | R12020 | 1 | . Hose Asm |
| 3 | R12000 | 1 | . Hose Asm |
| 4 | R12010 | 1 | . Hose Asm |
| 5 | R12014 | 1 | . Hose Asm |
| 6 | R12015 | 1 | . Hose Asm |
| 7 | R12003 | 1 | . Hose Asm |
| 8 | R12009 | 1 | . Hose Asm |
| 9 | R12011 | 1 | . Hose Asm |
| 10 | R12021 | 1 | . Hose Asm |
| 11 | R12006 | 1 | . Hose Asm |
| 12 | R12018 | 1 | . Hose Asm |
| 13 | R330325 | 14 | . Coupler |
| 14 | R330334 | 14 | . Cover, Dust |

| Item | Part No | Qty | Description |
|------|-----------|-----|---------------------|
| 15 | R830281 | 9 | . Fitting |
| 16 | R830082 | 5 | . Fitting |
| 17 | R12007 | 1 | . Hose Asm |
| 18 | R10781 | 1 | . Test Center Plate |
| 19 | R10667 | 1 | . Bar |
| 20 | R13810997 | 4 | . Capscrew |
| 21 | R13800826 | 4 | . Washert |
| 22 | R13811463 | 4 | . Nut |
| 23 | R13801805 | 2 | . Capscrew |
| 24 | R13800828 | 2 | . Washer |
| 25 | R833550 | 1 | . Fitting |

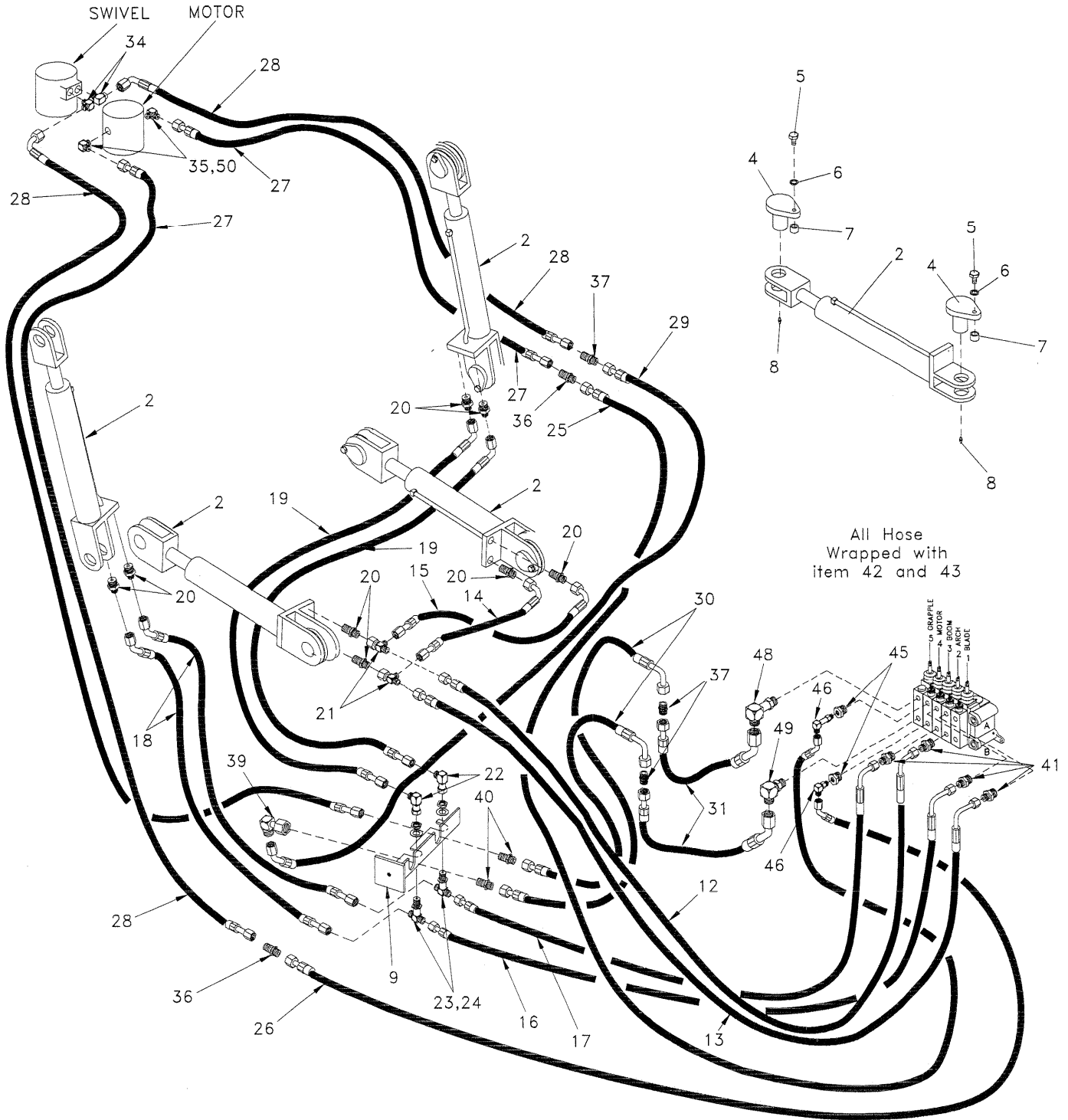
*a Last used on Unit S/N 268

Test Center

| Item | Part No | Qty | Description |
|------|------------------|-----|--------------------|
| | *a R11599 | | Test Center |
| 1 | R11600 | 2 | . Hose Asm |
| 2 | R11601 | 1 | . Hose Asm |
| 3 | R11602 | 2 | . Hose Asm |
| 4 | R11603 | 1 | . Hose Asm |
| 5 | R11604 | 1 | . Hose Asm |
| 6 | R11605 | 1 | . Hose Asm |
| 7 | R11606 | 1 | . Hose Asm |
| 8 | R11607 | 1 | . Hose Asm |
| 9 | R11608 | 14 | . Coupler |
| 10 | R11885 | 1 | . Hose Asm |
| 11 | R11610 | 1 | . Hose Asm |
| 12 | R11611 | 1 | . Hose Asm |

| Item | Part No | Qty | Description |
|------|-----------|-----|---------------------|
| 13 | R11612 | 1 | . Hose Asm |
| 14 | R10781 | 1 | . Test Center Plate |
| 15 | R13810997 | 4 | . Capscrew |
| 16 | R13812512 | 4 | . Washer |
| 17 | R13811463 | 4 | . Nut |
| 18 | R13801805 | 2 | . Capscrew |
| 19 | R13800828 | 2 | . Washer |
| 20 | R10667 | 2 | . Bar |
| 21 | R833550 | 1 | . Fitting |

*a First used on Unit S/N 269



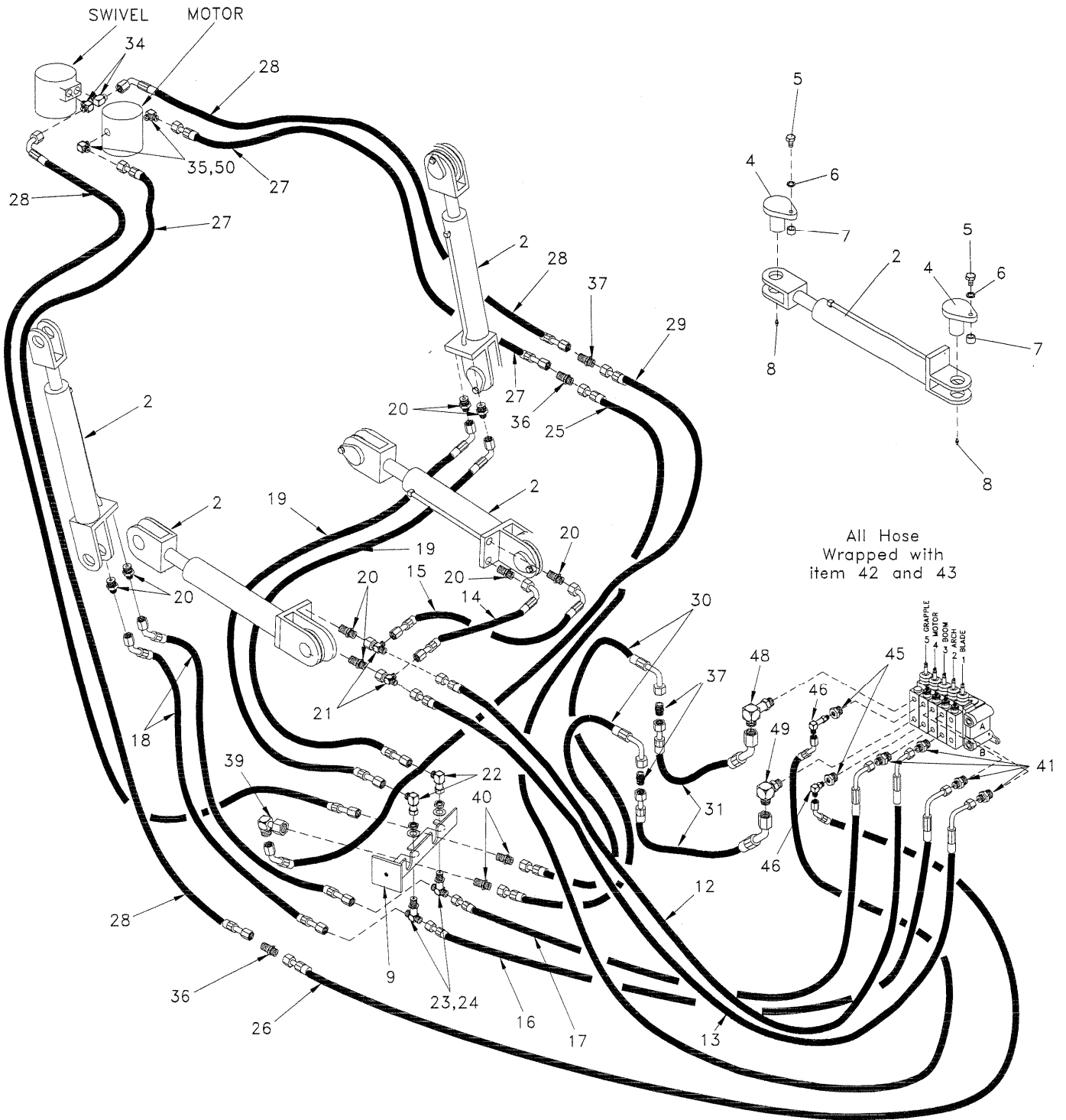
Parallelogram Hydraulic System

Parallelogram Hydraulic System

| Item | Part No | Qty | Description | Item | Part No | Qty | Description |
|------|------------------|-----|---------------------------------------|------|-----------|-----|-------------|
| | *a R11485 | | Parallelogram Hydraulic System | | | | |
| 2 | * R2552115 | 4 | . Cylinder (9 - 4.4) | 26 | R12028 | 1 | . Hose Asm |
| 4 | R12574706 | 8 | . Pin Asm | 27 | R12025 | 2 | . Hose Asm |
| 5 | R13801842 | 8 | . Capscrew | 28 | R12354 | 2 | . Hose Asm |
| 6 | R13802917 | 8 | . Washer | 29 | R12355 | 1 | . Hose Asm |
| 7 | R2529808 | 8 | . Spacer | 30 | R12356 | 2 | . Hose Asm |
| 8 | R13801339 | 8 | . Fitting, Lube | 31 | R12350 | 2 | . Hose Asm |
| 9 | R10742 | 1 | . Bulkhead Mtg Wldmt | 34 | R833269 | 2 | . Fitting |
| 10 | R13811073 | 1 | . Capscrew | 35 | R833253 | 2 | . Fitting |
| 11 | R13802628 | 2 | . Washer | 36 | R833650 | 2 | . Fitting |
| 12 | R12215 | 1 | . Hose Asm | 37 | R833659 | 3 | . Fitting |
| 13 | R12216 | 1 | . Hose Asm | 39 | R833804 | 1 | . Fitting |
| 14 | R12217 | 1 | . Hose Asm | 40 | R834106 | 2 | . Fitting |
| 15 | R12218 | 1 | . Hose Asm | 42 | R12577880 | A/R | . Sleeve |
| 16 | R12219 | 1 | . Hose Asm | 43 | R1736910 | 6 | . Strap |
| 17 | R12220 | 1 | . Hose Asm | 44 | R833115 | 6 | . Fitting |
| 18 | R12221 | 2 | . Hose Asm | 45 | R832154 | 2 | . Fitting |
| 19 | R12222 | 2 | . Hose Asm | 46 | R833301 | 1 | . Fitting |
| 20 | R833115 | 8 | . Fitting | 47 | R833257 | 1 | . Fitting |
| 21 | R834052 | 2 | . Fitting | 48 | R833304 | 1 | . Fitting |
| 22 | R833802 | 2 | . Fitting | 49 | R833270 | 1 | . Fitting |
| 23 | R834103 | 2 | . Fitting | 50 | R832154 | 2 | . Fitting |
| 24 | R834002 | 2 | . Fitting | | | | |
| 25 | R12027 | 1 | . Hose Asm | | | | |

*a Last used on Unit S/N 268

First used on Unit S/N 270

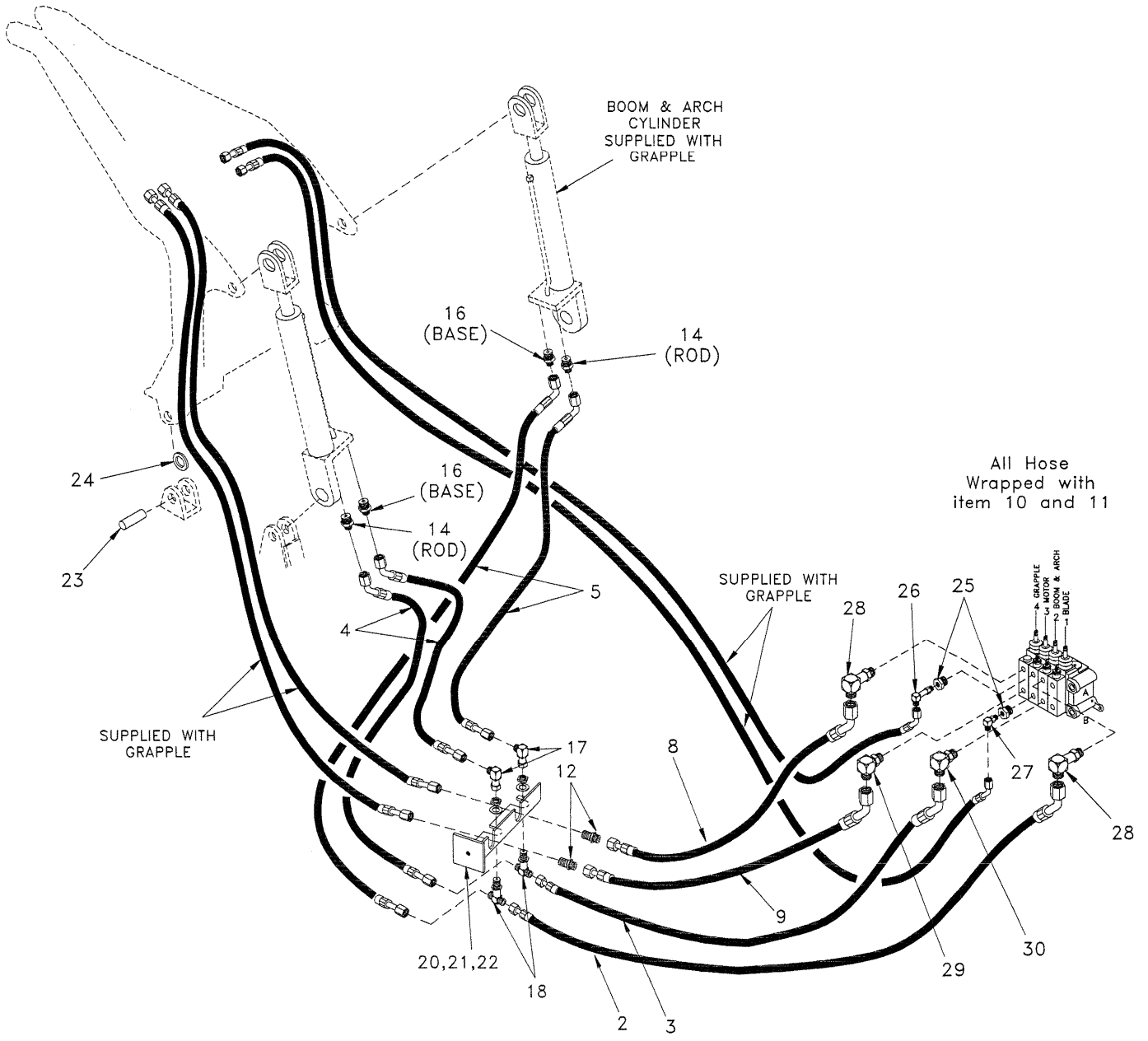


Parallelogram Hydraulic System

Parallelogram Hydraulic System

| Item | Part No | Qty | Description | Item | Part No | Qty | Description |
|------|------------------|-----|---------------------------------------|------|----------|-----|-------------|
| | *a R11811 | | Parallelogram Hydraulic System | | | | |
| 2 | * R2552115 | 4 | . Cylinder (9 - 4.4) | 26 | R12024 | 1 | . Hose Asm |
| 4 | R12574706 | 8 | . Pin Asm | 27 | R12025 | 2 | . Hose Asm |
| 5 | R13801842 | 8 | . Capscrew | 28 | R12354 | 2 | . Hose Asm |
| 6 | R13802917 | 8 | . Washer | 29 | R12355 | 1 | . Hose Asm |
| 7 | R2529808 | 8 | . Spacer | 30 | R12356 | 2 | . Hose Asm |
| 8 | R13801339 | 8 | . Fitting, Lube | 31 | R12350 | 2 | . Hose Asm |
| 9 | R10742 | 1 | . Bulkhead Mtg Bracket | 34 | R833269 | 2 | . Fitting |
| 10 | R13811073 | 1 | . Capscrew | 35 | R833253 | 2 | . Fitting |
| 11 | R13802628 | 2 | . Washer | 36 | R833650 | 2 | . Fitting |
| 12 | R12215 | 1 | . Hose Asm | 37 | R833659 | 3 | . Fitting |
| 13 | R12216 | 1 | . Hose Asm | 39 | R833804 | 1 | . Fitting |
| 14 | R12217 | 1 | . Hose Asm | 40 | R834106 | 2 | . Fitting |
| 15 | R12218 | 1 | . Hose Asm | 42 | R13469 | A/R | . Sleeve |
| 16 | R12219 | 1 | . Hose Asm | 43 | R1736910 | 6 | . Strap |
| 17 | R12220 | 1 | . Hose Asm | 44 | R833115 | 6 | . Fitting |
| 18 | R12221 | 2 | . Hose Asm | 45 | R832154 | 2 | . Fitting |
| 19 | R12222 | 2 | . Hose Asm | 46 | R833253 | 2 | . Fitting |
| 20 | R833115 | 8 | . Fitting | 48 | R833304 | 1 | . Fitting |
| 21 | R834052 | 2 | . Fitting | 49 | R833270 | 1 | . Fitting |
| 22 | R833802 | 2 | . Fitting | 50 | R832154 | 2 | . Fitting |
| 23 | R834103 | 2 | . Fitting | | | | |
| 24 | R834002 | 2 | . Fitting | | | | |
| 25 | R12029 | 1 | . Hose Asm | | | | |

*a First used on Unit S/N 270

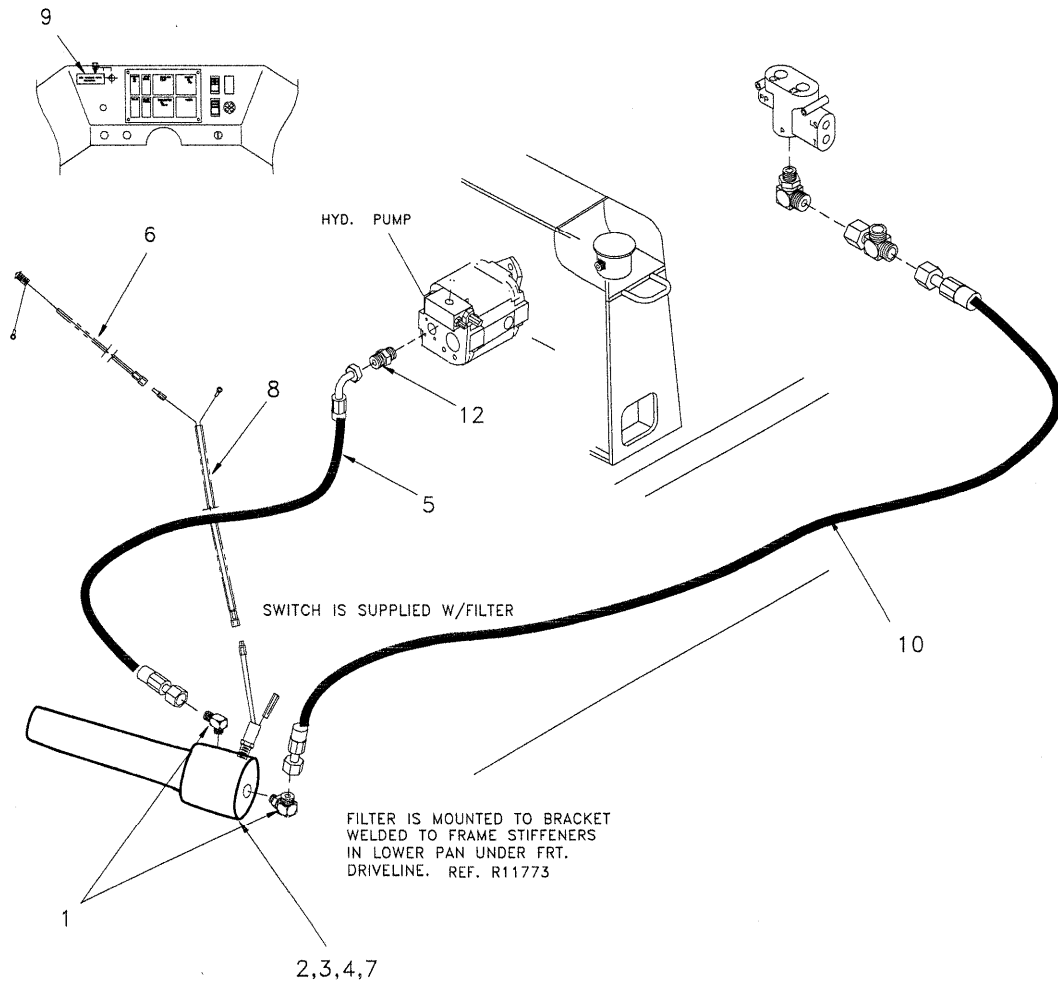


Hi-Vis Hydraulic Plumbing

Hi-Vis Hydraulic Plumbing

| Item | Part No | Qty | Description | Item | Part No | Qty | Description |
|------|-------------|-----|----------------------------------|------|-----------|-----|-----------------------------|
| | R013 | | Hi-Vis Hydraulic Plumbing | | | | |
| 1 | R10598 | 1 | . 100" Hi-Vis Grapple | 16 | R833115 | 2 | . Fitting |
| | R10599 | 1 | . 104" Hi-Vis Grapple | 17 | R833804 | 2 | . Fitting |
| 2 | R12325 | 1 | . Hose Asm | 18 | R834703 | 2 | . Fitting |
| 3 | R12326 | 1 | . Hose Asm | 19 | * R11516 | 1 | . Main Hyd. Valve (9 - 3.7) |
| 4 | R12214 | 2 | . Hose Asm | 20 | R10798 | 1 | . Bulkhead |
| 5 | R12213 | 2 | . Hose Asm | 21 | R13811073 | 1 | . Capscrew |
| 6 | R12351 | 1 | . Hose Asm | 22 | R13802628 | 1 | . Washer |
| 7 | R12350 | 1 | . Hose Asm | 23 | R1939296 | 2 | . Pin |
| 8 | R12353 | 1 | . Hose Asm | 24 | R1905176 | 2 | . Shim |
| 9 | R12352 | 1 | . Hose Asm | 25 | R832154 | 2 | . Fitting |
| 10 | R12577881 | A/R | . Sleeve | 26 | R833301 | 1 | . Fitting |
| 11 | R1736910 | 12 | . Strap, Tie | 27 | R833257 | 1 | . Fitting |
| 12 | R834106 | 2 | . Fitting | 28 | R833304 | 2 | . Fitting |
| 13 | R833659 | 2 | . Fitting | 29 | R833270 | 1 | . Fitting |
| 14 | R1938565 | 2 | . Plate, Orifice | 30 | R833214 | 1 | . Fitting |
| 15 | R10803 | 2 | . Fitting | | | | |

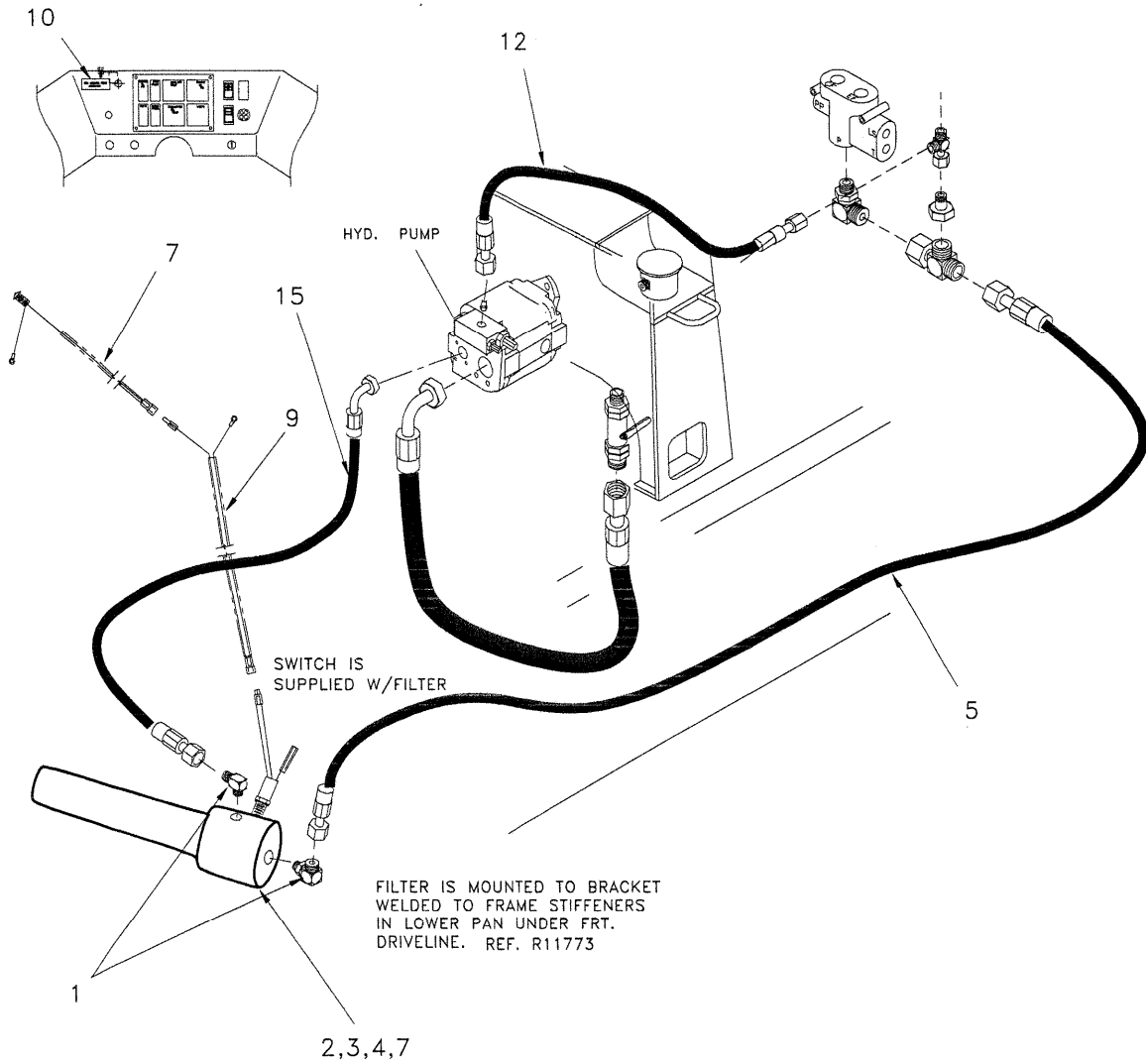
Kit for Units prior to S/N 269



High Pressure Filter Kit Installation

| Item | Part No | Qty | Description | Item | Part No | Qty | Description |
|---|-----------|-----|-------------------------|------|---------|-----|------------------------|
| R13586 High Pressure Filter Installation | | | | | | | |
| 1 | R833275 | 2 | . Fitting | 7 | R11774 | 1 | . Plate |
| 2 | * R13775 | 1 | . Filter Asm (9 - 5.2) | 8 | R11770 | 1 | . Wire Harness, Switch |
| 3 | R13811054 | 4 | . Capscrew | 9 | R11777 | 1 | . Decal |
| 4 | R13800829 | 4 | . Washer | 10 | R13512 | 1 | . Hose Asm |
| 5 | R13511 | 1 | . Hose Asm | 12 | R833132 | 1 | . Fitting |
| 6 | R11771 | 1 | . Wiring Harness, Light | | | | |

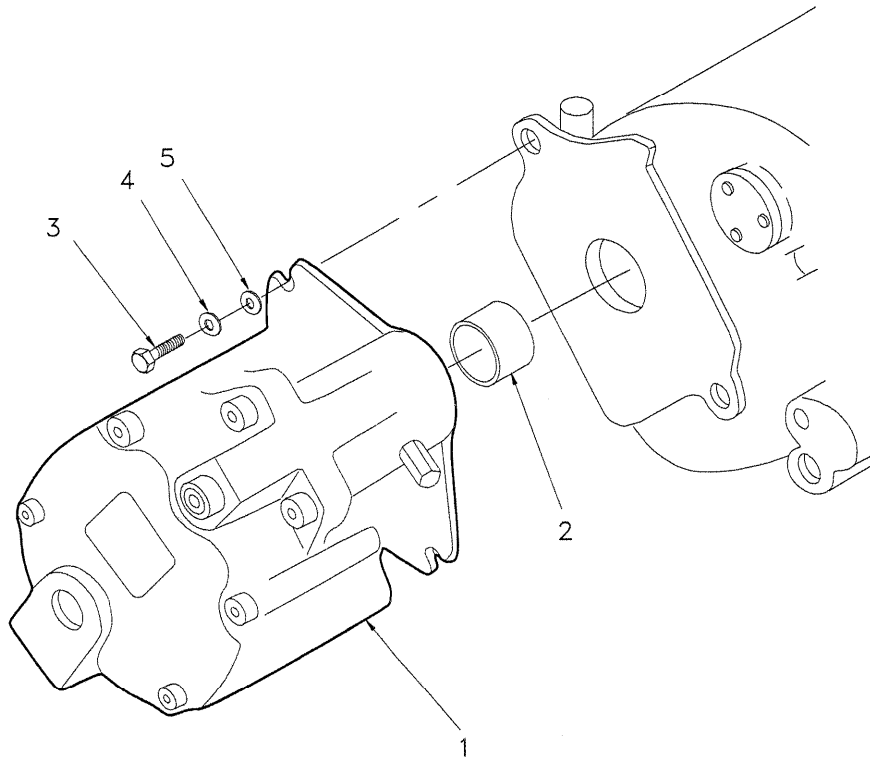
First used on Unit S/N 269



High Pressure Filter Installation

| Item | Part No | Qty | Description | Item | Part No | Qty | Description |
|------|---------------|-----|--|------|---------|-----|------------------------|
| | R11590 | | High Pressure Filter Installation | | | | |
| 1 | R833275 | 2 | . Fitting | 9 | R11770 | 1 | . Wire Harness, switch |
| 2 | * R13775 | 1 | . Filter Asm (9 - 5.2) | 10 | R11777 | 1 | . Decal |
| 3 | R13811054 | 4 | . Capscrew | 11 | R834050 | 1 | . Fitting |
| 4 | R13800829 | 4 | . Washer | 12 | R11607 | 1 | . Hose Asm |
| 5 | R12500 | 1 | . Hose Asm | 13 | R11819 | 1 | . Dry Start Procedure |
| 6 | R11580 | 1 | . Bypass Plug, switch | 14 | R11773 | 1 | . Filter Brkt Instl |
| 7 | R11771 | 1 | . Wiring Harness, light | 15 | R11589 | 1 | . Hose Asm |

Intentionally blank



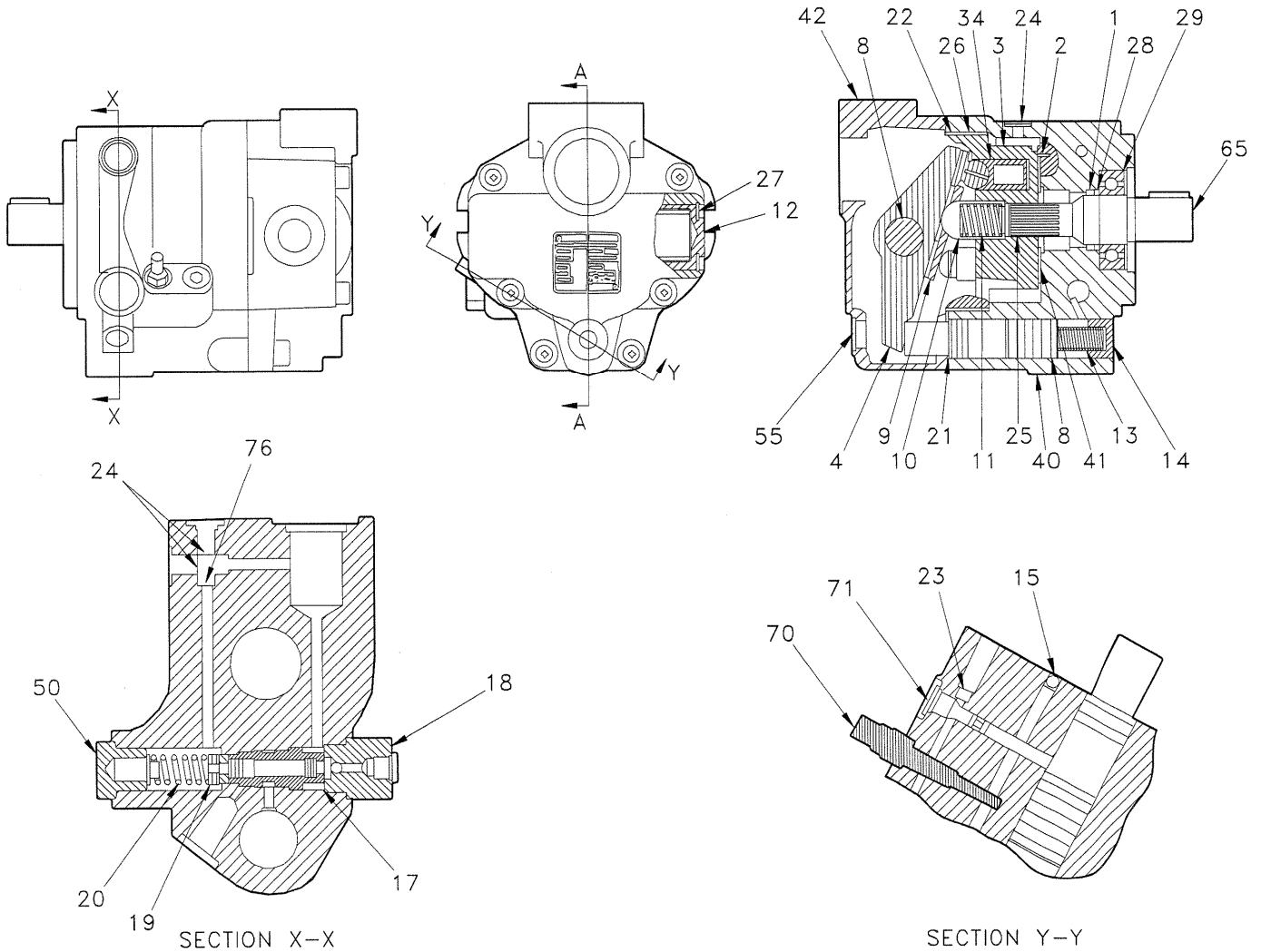
Hydraulic Pump Installation

| Item | Part No | Qty | Description | Item | Part No | Qty | Description |
|-------------|-----------|-----|----------------------------|------------------------------------|-----------|-----|-------------|
| R015 | | | | Hydraulic Pump Installation | | | |
| 1 | *a R10542 | 1 | . Hydraulic Pump (9 - 2.2) | 5 | R13802577 | 2 | . Washer |
| | *b R11586 | 1 | . Hydraulic Pump (9 - 2.3) | | | | |
| 2 | R10688 | 1 | . Sleeve | | | | |
| 3 | R10815 | 2 | . Washer | | | | |
| 4 | R13811122 | 2 | . Screw | | | | |

*a Last Used on Unit S/N 268

*b First Used on Unit S/N 269

Last Used on Unit S/N 268

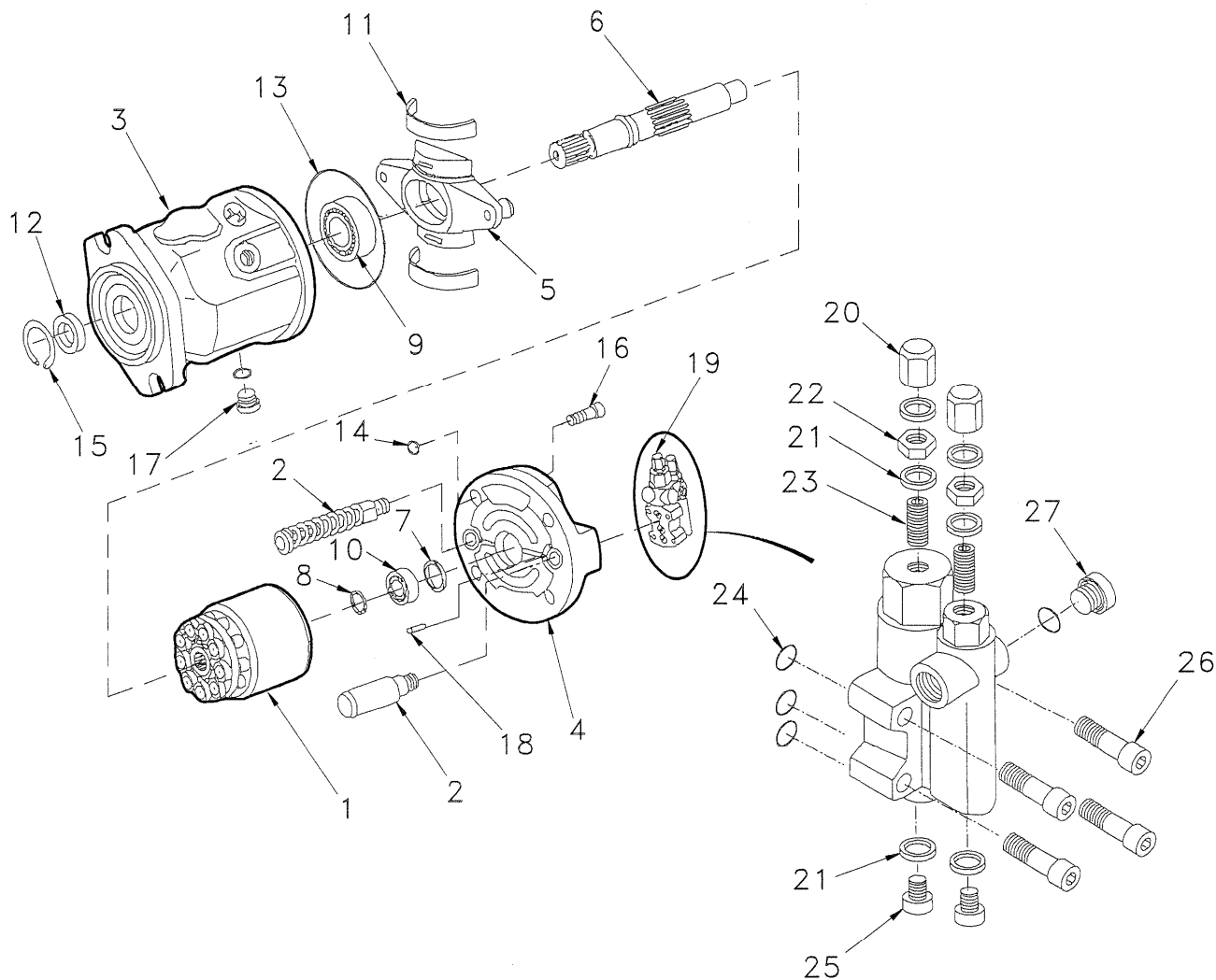


Hydraulic Pump

| Item | Part No | Qty | Description | Item | Part No | Qty | Description |
|---------------------------------|-----------|-----|-------------------------|------|-----------|-----|---------------------------|
| *a R10542 Hydraulic Pump | | | | | | | |
| 1 | R10412352 | 1 | . Seal | 24 | R11910 | 2 | . Plug |
| 2 | R11889 | 1 | . Roll Pin | 25 | R11911 | 2 | . Retainer |
| 3 | R11890 | 1 | . Barrel | 26 | R11912 | 1 | . Barrel - Bushing |
| 4 | R11891 | 1 | . Swash Plate | 27 | R11913 | 2 | . Snap Ring |
| 5 | R11892 | 1 | . Pin | 28 | R11914 | 1 | . Snap Ring |
| 8 | R11895 | 1 | . Servo Piston | 29 | R11915 | 1 | . Snap Ring |
| 9 | R11896 | 1 | . Slipper Retainer | 30 | R11916 | 4 | . Capscrew |
| 10 | R11897 | 1 | . Ball Seat | 31 | R11917 | 2 | . Capscrew |
| 11 | R11898 | 1 | . Spring | 34 | R11918 | 7 | . Piston Assembly |
| 12 | R11899 | 2 | . Trunnion Cap Assembly | 40 | R11919 | 1 | . Housing - LH |
| 13 | R11900 | 1 | . Spring | 41 | R11920 | 1 | . Port Plate - LH |
| 14 | R11901 | 1 | . Plug | 42 | R11921 | 1 | . Trunnion Housing |
| 15 | R11902 | 1 | . Ball | 50 | NSS | 1 | . Non Adj. Diff. Assembly |
| 17 | R11903 | 1 | . Spool and Sleeve Asm | 55 | R11922 | 1 | . Plug |
| 18 | R11904 | 1 | . Airbleed Assembly | 65 | R11923 | 1 | . Shaft Asm |
| 19 | R11905 | 1 | . Retainer | 70 | R10412364 | 1 | . Press Comp Asm |
| 20 | R11906 | 1 | . Spring | 71 | R11924 | 1 | . Torque Plug Asm |
| 21 | R11907 | 1 | . O-Ring | 76 | R11925 | 1 | . Orifice Plug |
| 22 | R11908 | 1 | . O-Ring | | | | |
| 23 | R11909 | 1 | . Plug | | | | |

*a Last Used on Unit S/N 268

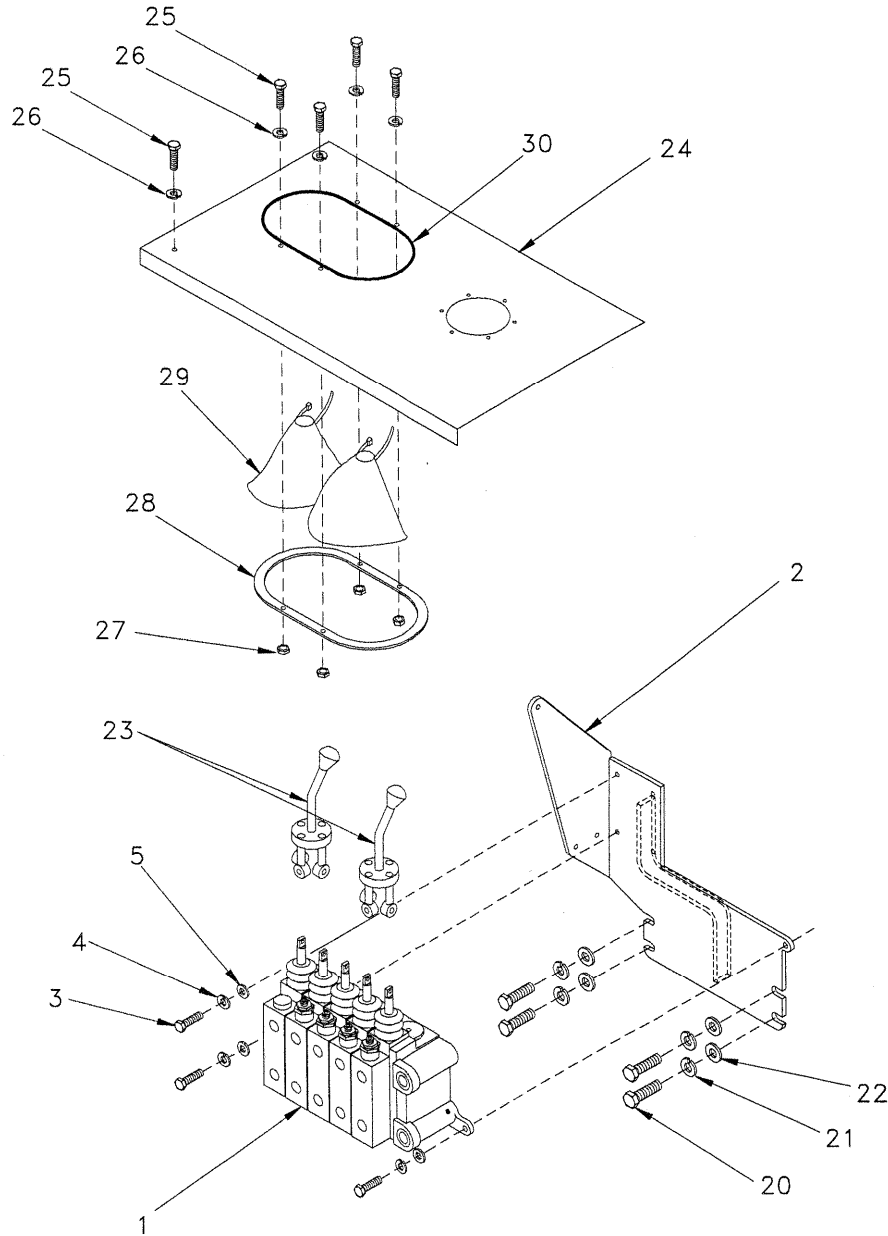
First used on Unit S/N 269



Hydraulic Pump Assembly

| Item | Part No | Qty | Description | Item | Part No | Qty | Description | |
|------|------------------|-------|--------------------------------|-----------------------|----------------------------|--------|---------------------|------------|
| | *c R11586 | | Hydraulic Pump Assembly | | | | | |
| 1 | R13869 | 1 | . Rotary Group | *b | ----- | 1 | .. O-Ring | |
| 2 | R13870 | 1 | . Control Piston | 18 | R13881 | 1 | . Dowel Pin | |
| 3 | R13871 | 1 | . Pump Housing | 19 | R13879 | 1 | . Control Valve Asm | |
| 4 | R13872 | 1 | . Port Block | 20 | R13884 | 2 | .. Acorn Nut | |
| 5 | R13873 | 1 | . Cradle Assembly | 21 | *b | ----- | 6 | .. Ring |
| 6 | R13874 | 1 | . Shaft | 22 | R13885 | 2 | .. Jam Nut | |
| 7 | R13875 | 1 | . Washer | 23 | R13886 | 2 | .. Adjusting Screw | |
| 8 | R13876 | 1 | . Adjusting Disc | 24 | *b | ----- | 3 | .. O-Ring |
| 9 | *a | ----- | 1 | . TaperRoller Bearing | 25 | R13887 | 2 | . Plug |
| 10 | *a | ----- | 1 | . TaperRoller Bearing | 26 | R13888 | 4 | . Capscrew |
| 11 | *a | ----- | 2 | . Sliding Disc | 27 | R13889 | 1 | . Plug |
| 12 | *b | ----- | 1 | . Shaft Seal | *b | ----- | 1 | .. O-Ring |
| 13 | *b | ----- | 1 | . O-Ring | | | | |
| 14 | *b | ----- | 4 | . O-Ring | | | | |
| 15 | R13877 | 1 | . V-Ring | | | | | |
| 16 | R13878 | 4 | . Capscrew | | | | | |
| 17 | R13880 | 1 | . Plug | | | | | |
| | | | | *a | Bearing Kit P/N R13882 | | | |
| | | | | *b | Seal Kit P/N R13883 | | | |
| | | | | *c | First used on Unit S/N 269 | | | |

Intentionally blank

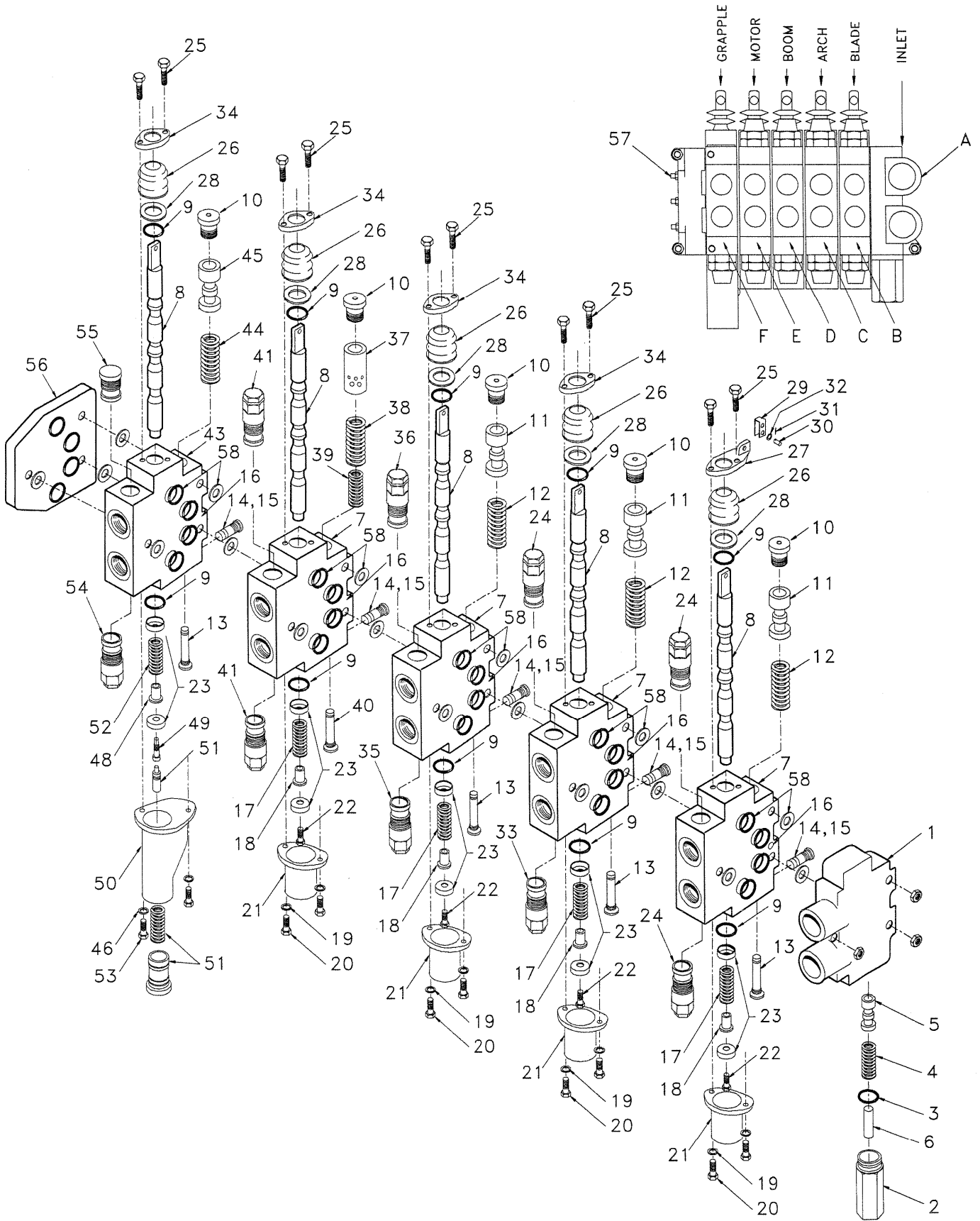


Parallelogram Main Control Valve Installation

| Item | Part No | Qty | Description | Item | Part No | Qty | Description |
|------|-----------|-----|--|------|-----------|-----|--------------|
| | R11414 | | Main Control Valve Installation | | | | |
| 1 | * R10851 | 1 | . Valve, Hyd. Control (9 - 3.2) | 24 | R10417 | 1 | . Plate |
| 2 | *a R10182 | 1 | . Control Mtg Bracket | 25 | R13810990 | 8 | . Capscrew |
| | *b R11823 | 1 | . Control Mtg Bracket | 26 | R13811433 | 8 | . Washer |
| 3 | R13811036 | 3 | . Capscrew | 27 | R13811189 | 4 | . Nut |
| 4 | R13811431 | 3 | . Washer | 28 | R10769 | 1 | . Plate |
| 5 | R13812514 | 3 | . Washer | 29 | R10809 | 1 | . Boot |
| 20 | R13811076 | 4 | . Capscrew | 30 | R12575959 | A/R | . Trim, Edge |
| 21 | R13809584 | 4 | . Washer | | | | |
| 22 | R13802628 | 4 | . Washer | | | | |
| 23 | * R10559 | 2 | . Lever Asm (9 - 3.12) | | | | |

*a Last used on Unit S/N 268

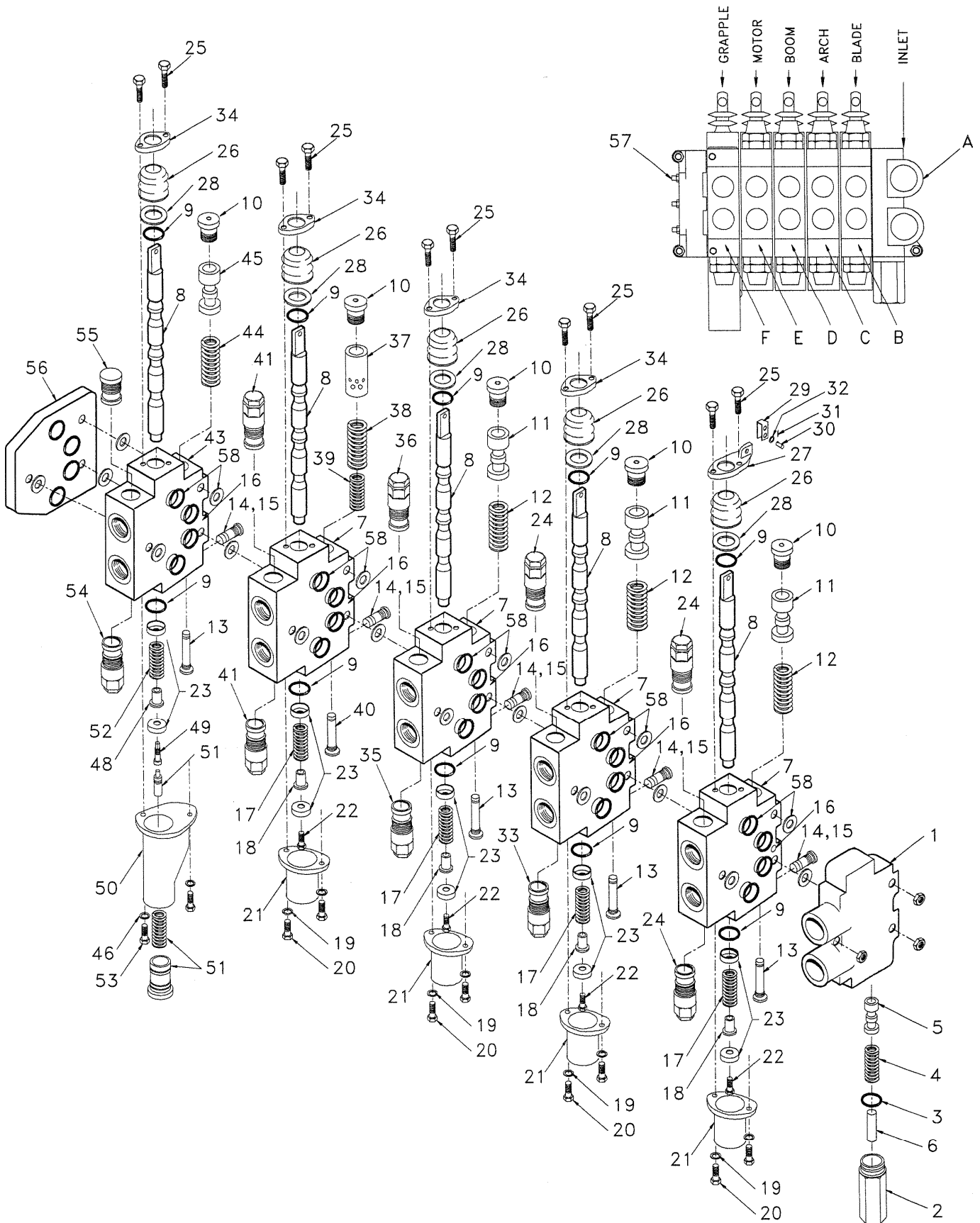
*b First used on Unit S/N 269



Parallelogram Main Hydraulic Control Valve

Parallelogram Main Hydraulic Control Valve

| Item | Part No | Qty | Description | Item | Part No | Qty | Description |
|----------|---------------|----------|-------------------------------------|----------|---------------|----------|--------------------------------|
| | R10851 | | Main Hydraulic Control Valve | | | | |
| A | R11926 | 1 | . Inlet | 24 | R11943 | 1 | .. Relief Assembly |
| 1 | R11933 | 1 | .. Body | 25 | R11963 | 2 | .. Capscrew |
| 2 | R11934 | 1 | .. Plug | 26 | R11964 | 1 | .. Dust Cover |
| 3 | R11935 | 1 | .. O-Ring | 27 | R10410720 | 1 | .. Retainer |
| 4 | R11936 | 1 | .. Spring | 28 | R11966 | 1 | .. Filter |
| 5 | R11937 | 1 | .. Spool | 33 | R11942 | 1 | .. Relief Assembly |
| 6 | R11938 | 1 | .. Pin | 34 | R10410720 | 1 | .. Retainer |
| B | R11927 | 1 | . Valve Section (Blade) | D | R11940 | 1 | . Valve Section (Boom) |
| 7 | R11946 | 1 | .. Body | 7 | R11946 | 1 | .. Body |
| 8 | R11947 | 1 | .. Spool | 8 | R11947 | 1 | .. Spool |
| 9 | R11948 | 2 | .. O-Ring | 9 | R11948 | 2 | .. O-Ring |
| 10 | R11949 | 1 | .. Plug | 10 | R11949 | 1 | .. Plug |
| 11 | R11950 | 1 | .. Spool | 11 | R11950 | 1 | .. Spool |
| 12 | R11951 | 1 | .. Spring | 12 | R11951 | 1 | .. Spring |
| 13 | R10410811 | 1 | .. Housing - Primary | 13 | R10410811 | 1 | .. Housing - Primary |
| 14 | R11952 | 1 | .. Ball Bearing | 14 | R11952 | 1 | .. Ball Bearing |
| 15 | R11953 | 1 | .. Shuttle | 15 | R11953 | 1 | .. Shuttle |
| 16 | R11954 | 1 | .. Plug | 16 | R11954 | 1 | .. Plug |
| 17 | R11955 | 1 | .. Spring | 17 | R11955 | 1 | .. Spring |
| 18 | R11956 | 1 | .. Spacer | 18 | R11956 | 1 | .. Spacer |
| 19 | R11957 | 2 | .. Washer | 19 | R11957 | 2 | .. Washer |
| 20 | R11958 | 2 | .. Capscrew | 20 | R11958 | 2 | .. Capscrew |
| 21 | R11959 | 1 | .. Housing | 21 | R11959 | 1 | .. Housing |
| 22 | R11960 | 1 | .. Capscrew | 22 | R11960 | 1 | .. Capscrew |
| 23 | R11961 | 2 | .. Retainer | 23 | R11961 | 2 | .. Retainer |
| 24 | R11943 | 2 | .. Relief Assembly | 24 | R11943 | 2 | .. Relief Assembly |
| 25 | R11963 | 2 | .. Capscrew | 25 | R11963 | 2 | .. Capscrew |
| 26 | R11964 | 1 | .. Dust Cover | 26 | R11964 | 1 | .. Dust Cover |
| 27 | R10410720 | 1 | .. Retainer | 27 | R10410720 | 1 | .. Retainer |
| 28 | R11966 | 1 | .. Filter | 28 | R11966 | 1 | .. Filter |
| 29 | R10410724 | 1 | .. Linkage | 34 | R10410720 | 1 | .. Retainer |
| 30 | R11968 | 1 | .. Cotter Pin | 35 | R11944 | 1 | .. Relief Assembly |
| 31 | R10410721 | 1 | .. Clevis Pin | 36 | R11945 | 1 | .. Relief Assembly |
| 32 | R11969 | 1 | .. Washer | E | R11929 | 1 | . Valve Section (Motor) |
| C | R11939 | 1 | . Valve Section (Arch) | 7 | R11946 | 1 | .. Body |
| 7 | R11946 | 1 | .. Body | 8 | R11947 | 1 | .. Spool |
| 8 | R11947 | 1 | .. Spool | 9 | R11948 | 2 | .. O-Ring |
| 9 | R11948 | 2 | .. O-Ring | 10 | R11949 | 1 | .. Plug |
| 10 | R11949 | 1 | .. Plug | 11 | R11950 | 1 | .. Spool |
| 11 | R11950 | 1 | .. Spool | 12 | R11951 | 1 | .. Spring |
| 12 | R11951 | 1 | .. Spring | 14 | R11952 | 1 | .. Ball Bearing |
| 13 | R10410811 | 1 | .. Housing - Primary | 15 | R11953 | 1 | .. Shuttle |
| 14 | R11952 | 1 | .. Ball Bearing | 16 | R11954 | 1 | .. Plug |
| 15 | R11953 | 1 | .. Shuttle | 17 | R11955 | 1 | .. Spring |
| 16 | R11954 | 1 | .. Plug | 18 | R11956 | 1 | .. Spacer |
| 17 | R11955 | 1 | .. Spring | 19 | R11957 | 2 | .. Washer |
| 18 | R11956 | 1 | .. Spacer | 20 | R11958 | 2 | .. Capscrew |
| 19 | R11957 | 2 | .. Washer | 21 | R11959 | 1 | .. Housing |
| 20 | R11958 | 2 | .. Capscrew | 22 | R11960 | 1 | .. Capscrew |
| 21 | R11959 | 1 | .. Housing | 23 | R11961 | 2 | .. Retainer |
| 22 | R11960 | 1 | .. Capscrew | 25 | R11963 | 2 | .. Capscrew |
| 23 | R11961 | 2 | .. Retainer | 26 | R11964 | 1 | .. Dust Cover |

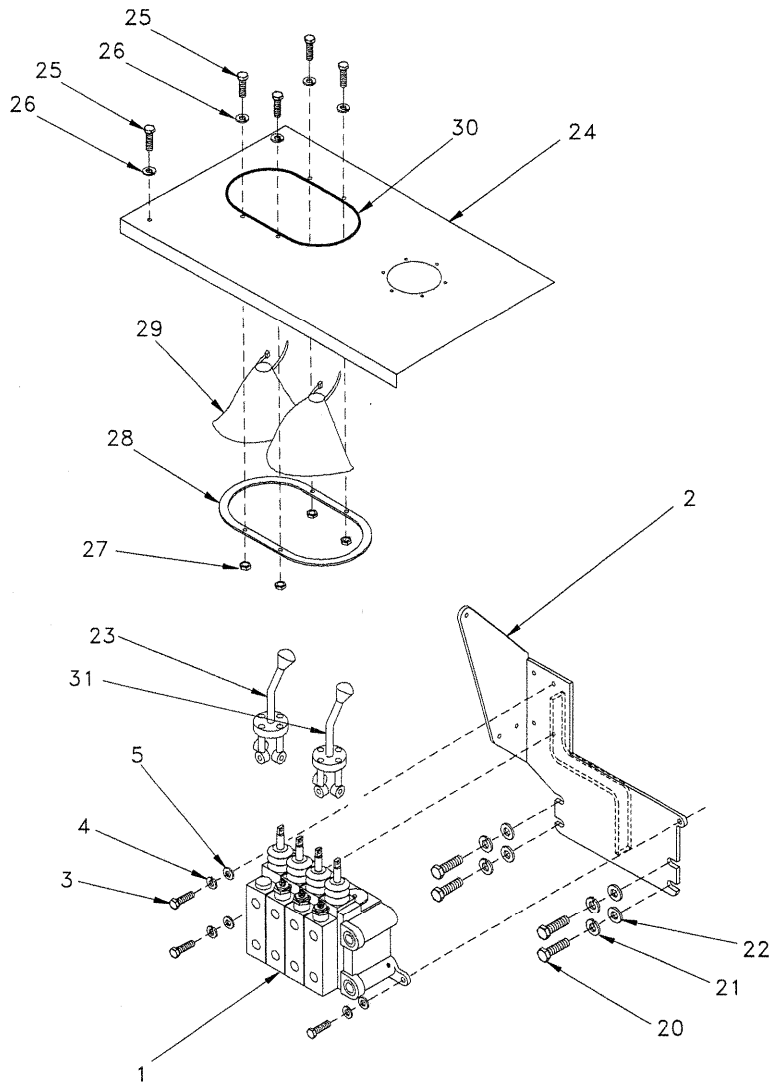


Parallelogram Main Hydraulic Control Valve

Parallelogram Main Hydraulic Control Valve

| Item | Part No | Qty | Description | Item | Part No | Qty | Description |
|----------|---------------|----------|----------------------------------|------|---------|-----|-----------------------|
| 27 | R10410720 | 1 | .. Retainer | 23 | R11961 | 2 | .. Retainer |
| 28 | R11966 | 1 | .. Filter | 24 | R11943 | 2 | .. Relief Assembly |
| 37 | R11971 | 1 | .. Spool, Compensator | 25 | R11963 | 2 | .. Capscrew |
| 38 | R11972 | 1 | .. Spring, Outer | 26 | R11964 | 1 | .. Dust Cover |
| 39 | R11973 | 1 | .. Spring, Inner | 28 | R11966 | 1 | .. Filter |
| 40 | R11974 | 1 | .. Housing - Primary | 34 | R11988 | 1 | .. Retainer |
| 41 | R11975 | 2 | .. Relief Assembly | 43 | R10847 | 1 | .. Body |
| F | R11627 | 1 | . Valve Section (Grapple) | 44 | R11976 | 1 | .. Spring |
| 8 | R11947 | 1 | .. Spool | 45 | R11977 | 1 | .. Poppet |
| 9 | R11948 | 2 | .. O-Ring | 46 | R11978 | 1 | .. O-Ring |
| 10 | R11949 | 1 | .. Plug | 47 | R11979 | 3 | .. Washer |
| 11 | R11950 | 1 | .. Spool | 48 | R11980 | 1 | .. Spacer |
| 12 | R11951 | 1 | .. Spring | 49 | R11981 | 1 | .. Coupling, Detent |
| 13 | R10410811 | 1 | .. Housing - Primary | 50 | R11982 | 1 | .. Detent Housing Asm |
| 14 | R11952 | 1 | .. Ball Bearing | 51 | R11983 | 1 | .. Shaft |
| 15 | R11953 | 1 | .. Shuttle | 52 | R11984 | 2 | .. Spring |
| 16 | R11954 | 1 | .. Plug | 53 | R11985 | 3 | .. Capscrew |
| 17 | R11955 | 1 | .. Spring | 54 | R11986 | 1 | .. Relief Assembly |
| 18 | R11956 | 1 | .. Spacer | 55 | R11987 | 1 | .. Plug |
| 19 | R11957 | 2 | .. Washer | 56 | R11930 | 1 | .. End Cover |
| 20 | R11958 | 2 | .. Capscrew | 57 | R11941 | 1 | .. Bolt Kit |
| 21 | R11959 | 1 | .. Housing | 58 | R11932 | | .. Sectional Seal Kit |
| 22 | R11960 | 1 | .. Capscrew | | | | |

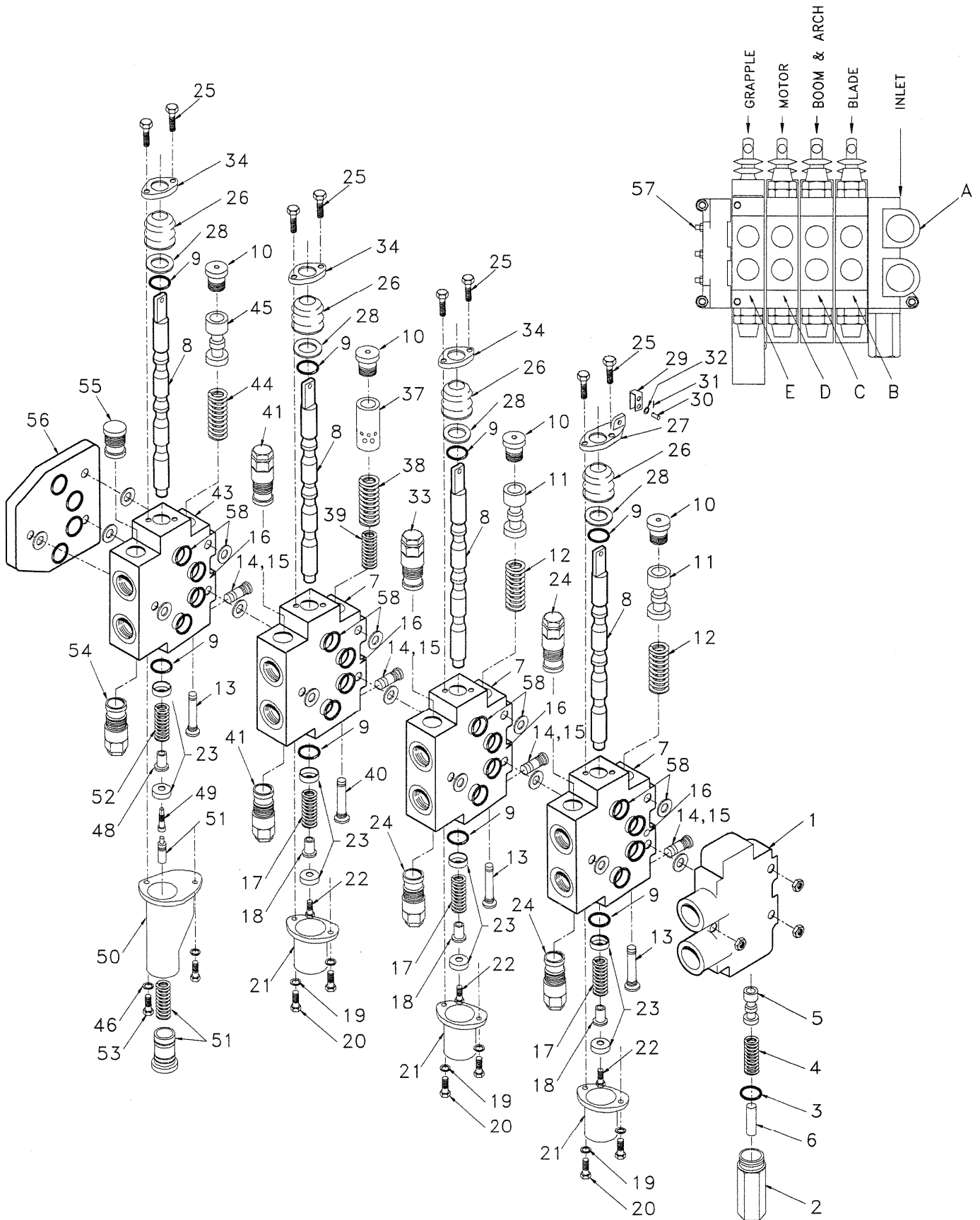
Intentionally blank



Hi-Vis Main Control Valve Installation

| Item | Part No | Qty | Description | Item | Part No | Qty | Description |
|--|-----------|-----|--------------------------------|------|-----------|-----|------------------------|
| Main Control Valve Installation | | | | | | | |
| 1 | * R10850 | 1 | . Valve, Hyd Control (9 - 3.8) | 25 | R13810990 | 8 | . Capscrew |
| 2 | *a R10182 | 1 | . Control Mtg Bracket | 26 | R13811433 | 8 | . Washer |
| | *b R11823 | 1 | . Control Mtg Bracket | 27 | R13811189 | 4 | . Nut |
| 3 | R13811036 | 3 | . Capscrew | 28 | R10769 | 1 | . Plate |
| 4 | R13811431 | 3 | . Washer | 29 | R10809 | 1 | . Boot |
| 5 | R13812514 | 3 | . Washer | 30 | R12575959 | 2 | . Trim |
| 20 | R13811076 | 4 | . Capscrew | 31 | * R10842 | 1 | . Lever Asm (9 - 3.13) |
| 21 | R13809584 | 4 | . Washer | | | | |
| 22 | R13802628 | 4 | . Washer | | | | |
| 23 | * R10559 | 1 | . Lever Asm (9 - 3.12) | | | | |
| 24 | R10683 | 1 | . Plate | | | | |

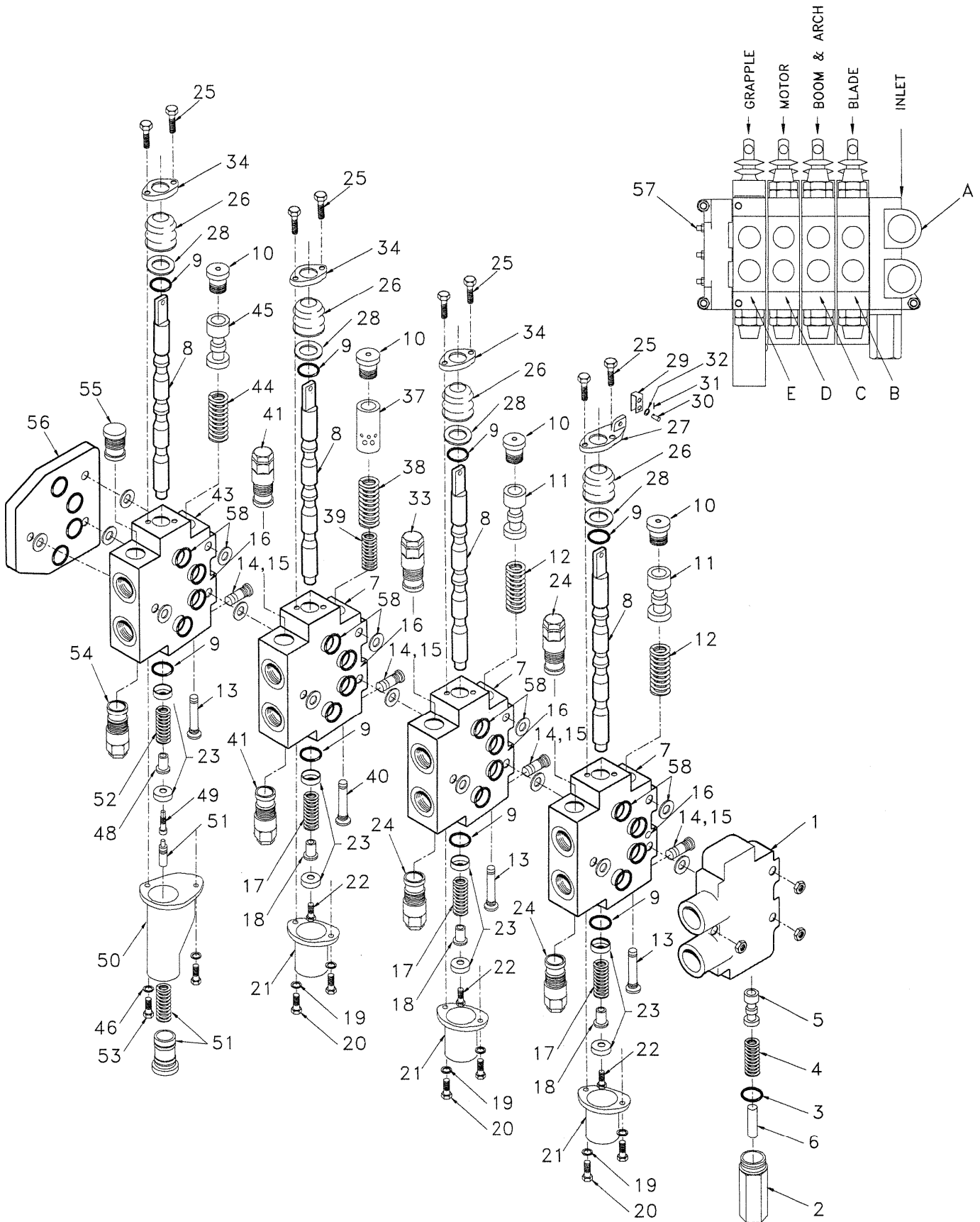
*a Last used on Unit S/N 268
*b First used on Unit S/N 269



Hi-Vis Main Hydraulic Control Valve

Hi-Vis Hydraulic Control Valve

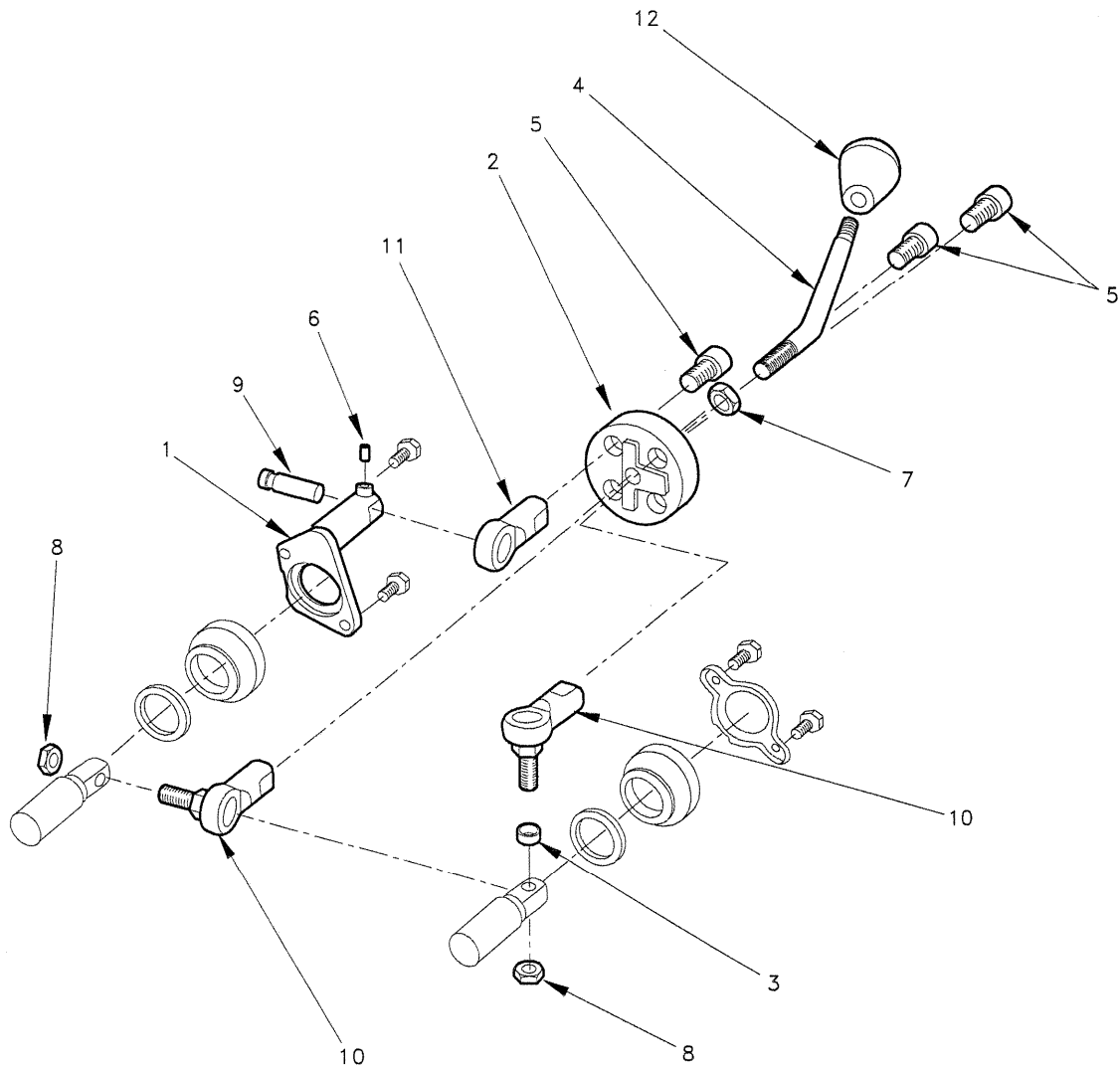
| Item | Part No | Qty | Description | Item | Part No | Qty | Description |
|----------|---------------|----------|---|----------|---------------|----------|-----------------------------------|
| | R10850 | | Main Hydraulic Control Valve | | | | |
| A | R11926 | 1 | .. Inlet | 24 | R11943 | 1 | .. Relief Assembly |
| 1 | R11933 | 1 | .. Body | 25 | R11963 | 2 | .. Capscrew |
| 2 | R11934 | 1 | .. Plug | 26 | R11964 | 1 | .. Dust Cover |
| 3 | R11935 | 1 | .. O-Ring | 27 | R10410720 | 1 | .. Retainer |
| 4 | R11936 | 1 | .. Spring | 28 | R11966 | 1 | .. Filter |
| 5 | R11937 | 1 | .. Spool | 33 | R11970 | 1 | .. Relief Assembly |
| 6 | R11938 | 1 | .. Pin | 34 | R10410720 | 1 | .. Retainer |
| B | R11927 | 1 | .. Valve Section (Blade) | D | R11929 | 1 | .. Valve Section (Motor) |
| 7 | R11946 | 1 | .. Body | 7 | R11946 | 1 | .. Body |
| 8 | R11947 | 1 | .. Spool | 8 | R11947 | 1 | .. Spool |
| 9 | R11948 | 2 | .. O-Ring | 9 | R11948 | 2 | .. O-Ring |
| 10 | R11949 | 1 | .. Plug | 10 | R11949 | 1 | .. Plug |
| 11 | R11950 | 1 | .. Spool | 11 | R11950 | 1 | .. Spool |
| 12 | R11951 | 1 | .. Spring | 12 | R11951 | 1 | .. Spring |
| 13 | R10410811 | 1 | .. Housing - Primary | 14 | R11952 | 1 | .. Ball Bearing |
| 14 | R11952 | 1 | .. Ball Bearing | 15 | R11953 | 1 | .. Shuttle |
| 15 | R11953 | 1 | .. Shuttle | 16 | R11954 | 1 | .. Plug |
| 16 | R11954 | 1 | .. Plug | 17 | R11955 | 1 | .. Spring |
| 17 | R11955 | 1 | .. Spring | 18 | R11956 | 1 | .. Spacer |
| 18 | R11956 | 1 | .. Spacer | 19 | R11957 | 2 | .. Washer |
| 19 | R11957 | 2 | .. Washer | 20 | R11958 | 2 | .. Capscrew |
| 20 | R11958 | 2 | .. Capscrew | 21 | R11959 | 1 | .. Housing |
| 21 | R11959 | 1 | .. Housing | 22 | R11960 | 1 | .. Capscrew |
| 22 | R11960 | 1 | .. Capscrew | 23 | R11961 | 2 | .. Retainer |
| 23 | R11961 | 2 | .. Retainer | 25 | R11963 | 2 | .. Capscrew |
| 24 | R11943 | 2 | .. Relief Assembly | 26 | R11964 | 1 | .. Dust Cover |
| 25 | R11963 | 2 | .. Capscrew | 27 | R10410720 | 1 | .. Retainer |
| 26 | R11964 | 1 | .. Dust Cover | 28 | R11966 | 1 | .. Filter |
| 27 | R10410720 | 1 | .. Retainer | 37 | R11971 | 1 | .. Spool, Compensator |
| 28 | R11966 | 1 | .. Filter | 38 | R11972 | 1 | .. Spring, Outer |
| 29 | R10410724 | 1 | .. Linkage | 39 | R11973 | 1 | .. Spring, Inner |
| 30 | R11968 | 1 | .. Cotter Pin | 40 | R11974 | 1 | .. Housing - Primary |
| 31 | R10410721 | 1 | .. Clevis Pin | 41 | R11975 | 2 | .. Relief Assembly |
| 32 | R11969 | 1 | .. Washer | E | R11627 | 1 | .. Valve Section (Grapple) |
| C | R11928 | 1 | .. Valve Section (Arch & Boom) | 8 | R11947 | 1 | .. Spool |
| 7 | R11946 | 1 | .. Body | 9 | R11948 | 2 | .. O-Ring |
| 8 | R11947 | 1 | .. Spool | 10 | R11949 | 1 | .. Plug |
| 9 | R11948 | 2 | .. O-Ring | 11 | R11950 | 1 | .. Spool |
| 10 | R11949 | 1 | .. Plug | 12 | R11951 | 1 | .. Spring |
| 11 | R11950 | 1 | .. Spool | 13 | R10410811 | 1 | .. Housing - Primary |
| 12 | R11951 | 1 | .. Spring | 14 | R11952 | 1 | .. Ball Bearing |
| 13 | R10410811 | 1 | .. Housing - Primary | 15 | R11953 | 1 | .. Shuttle |
| 14 | R11952 | 1 | .. Ball Bearing | 16 | R11954 | 1 | .. Plug |
| 15 | R11953 | 1 | .. Shuttle | 17 | R11955 | 1 | .. Spring |
| 16 | R11954 | 1 | .. Plug | 18 | R11956 | 1 | .. Spacer |
| 17 | R11955 | 1 | .. Spring | 19 | R11957 | 2 | .. Washer |
| 18 | R11956 | 1 | .. Spacer | 20 | R11958 | 2 | .. Capscrew |
| 19 | R11957 | 2 | .. Washer | 21 | R11959 | 1 | .. Housing |
| 20 | R11958 | 2 | .. Capscrew | 22 | R11960 | 1 | .. Capscrew |
| 21 | R11959 | 1 | .. Housing | 23 | R11961 | 2 | .. Retainer |
| 22 | R11960 | 1 | .. Capscrew | 24 | R11943 | 2 | .. Relief Assembly |
| 23 | R11961 | 2 | .. Retainer | 25 | R11963 | 2 | .. Capscrew |



Hi-Vis Main Hydraulic Control Valve

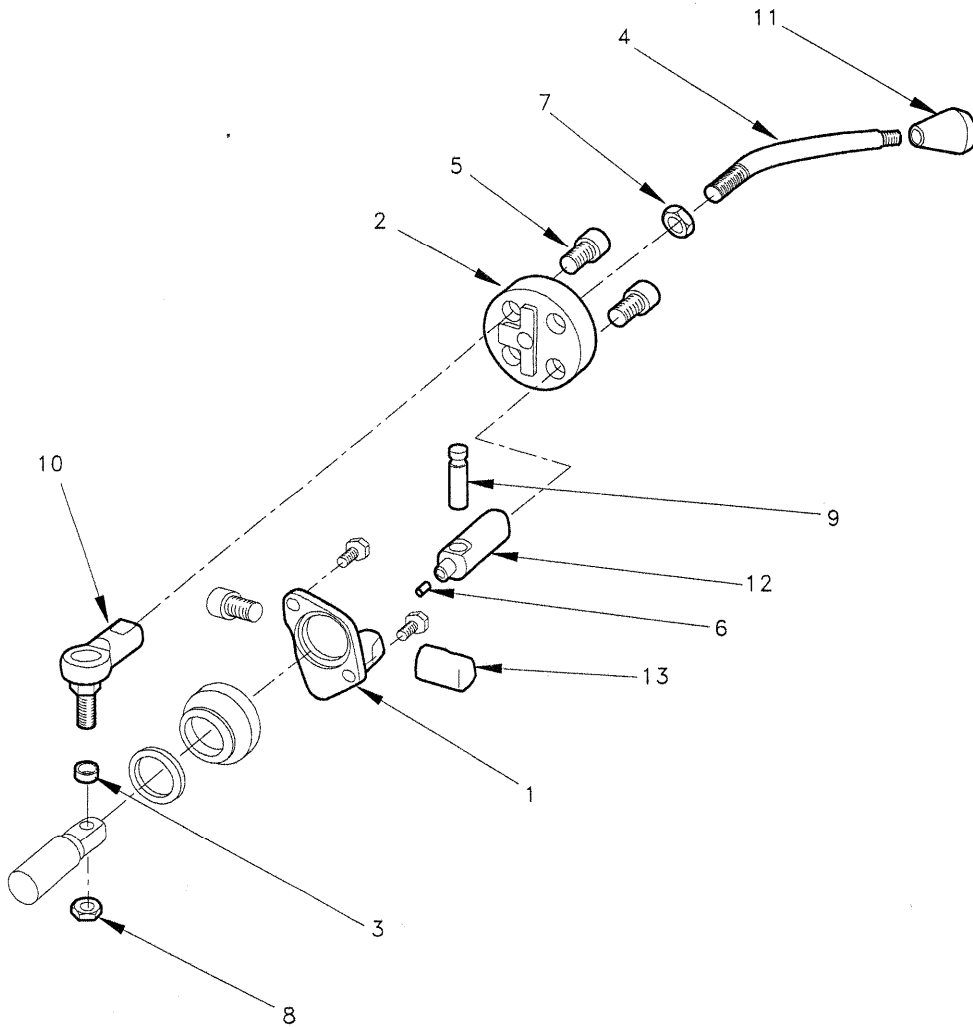
Hi-Vis Main Hydraulic Control Valve

| Item | Part No | Qty | Description | Item | Part No | Qty | Description |
|------|---------|-----|---------------------|------|---------|-----|-----------------------|
| 26 | R11964 | 1 | .. Dust Cover | 50 | R11982 | 1 | .. Detent Housing Asm |
| 28 | R11966 | 1 | .. Filter | 51 | R11983 | 1 | .. Shaft |
| 34 | R11988 | 1 | .. Retainer | 52 | R11984 | 2 | .. Spring |
| 43 | R10847 | 1 | .. Body | 53 | R11985 | 3 | .. Capscrew |
| 44 | R11976 | 1 | .. Spring | 54 | R11986 | 1 | .. Relief Assembly |
| 45 | R11977 | 1 | .. Poppet | 55 | R11987 | 1 | .. Plug |
| 46 | R11978 | 1 | .. O-Ring | 56 | R11930 | 1 | .. End Cover |
| 47 | R11979 | 3 | .. Washer | 57 | R11941 | 1 | .. Bolt Kit |
| 48 | R11980 | 1 | .. Spacer | 58 | R11932 | | .. Sectional Seal Kit |
| 49 | R11981 | 1 | .. Coupling, Detent | | | | |



Hydraulic Control Valve Lever Assembly

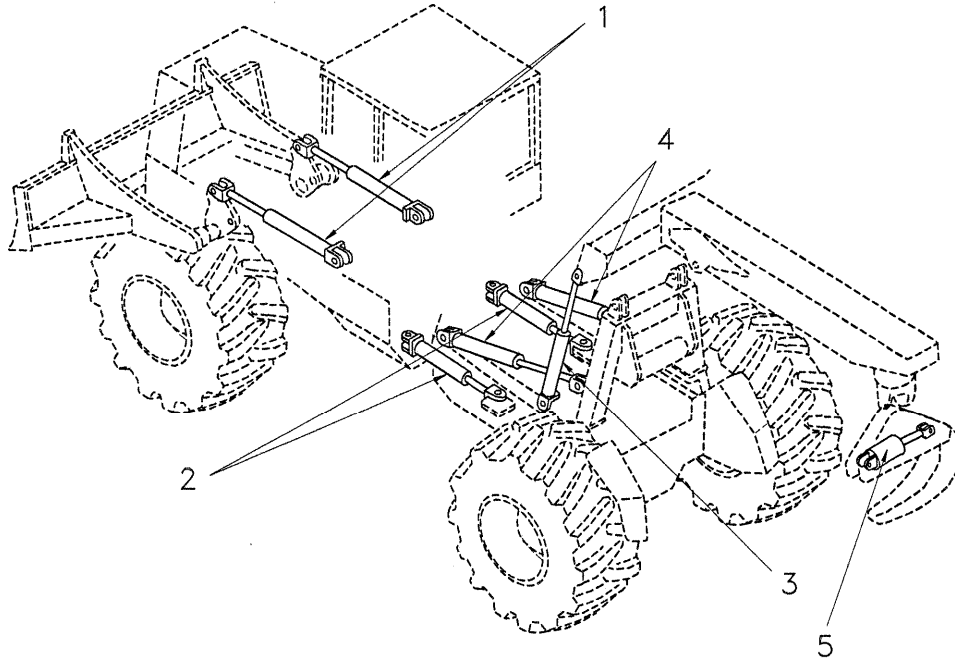
| Item | Part No | Qty | Description | Item | Part No | Qty | Description |
|------|---------------|-----|--|------|---------|-----|-------------|
| | R10559 | | Hydraulic Control Valve Lever Asm | | | | |
| 1 | R11457 | 1 | . Retainer | 7 | R11469 | 1 | . Nut |
| 2 | R11458 | 1 | . Retainer | 8 | R11470 | 1 | . Nut |
| 3 | R11466 | 1 | . Spacer | 9 | R11454 | 1 | . Pin |
| 4 | R11467 | 1 | . Handle | 10 | R11417 | 2 | . Rod End |
| 5 | R11468 | 3 | . Capscrew | 11 | R11471 | 1 | . Rod End |
| 6 | R11453 | 1 | . Setscrew | 12 | R11472 | 1 | . Knob |



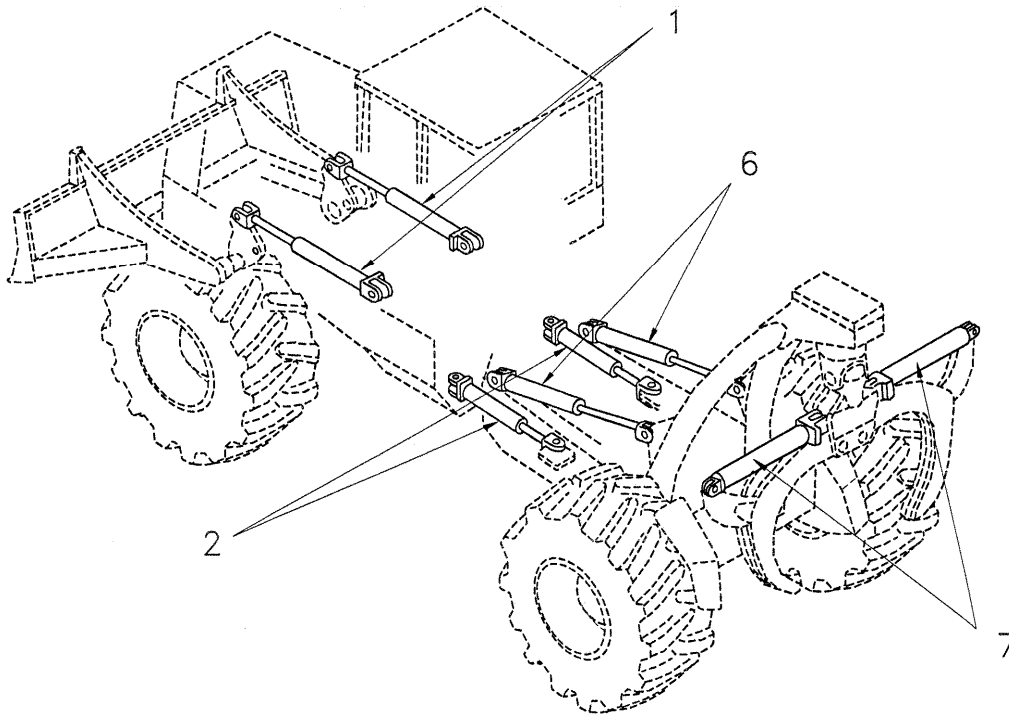
Hydraulic Control Valve Lever Asm

| Item | Part No | Qty | Description | Item | Part No | Qty | Description |
|------|---------------|-----|--|------|---------|-----|-------------|
| | R10842 | | Hydraulic Control Valve Lever Asm | | | | |
| 1 | R11457 | 1 | . Retainer | 8 | R11470 | 1 | . Nut |
| 2 | R11458 | 1 | . Retainer | 9 | R11454 | 1 | . Pin |
| 3 | R11466 | 1 | . Spacer | 10 | R11417 | 2 | . Rod End |
| 4 | R11467 | 1 | . Handle | 11 | R11472 | 1 | . Knob |
| 5 | R11468 | 3 | . Capscrew | 12 | R11473 | 1 | . Coupling |
| 6 | R11453 | 1 | . Setscrew | 13 | R11474 | 1 | . Coupling |
| 7 | R11469 | 1 | . Nut | | | | |

Intentionally blank



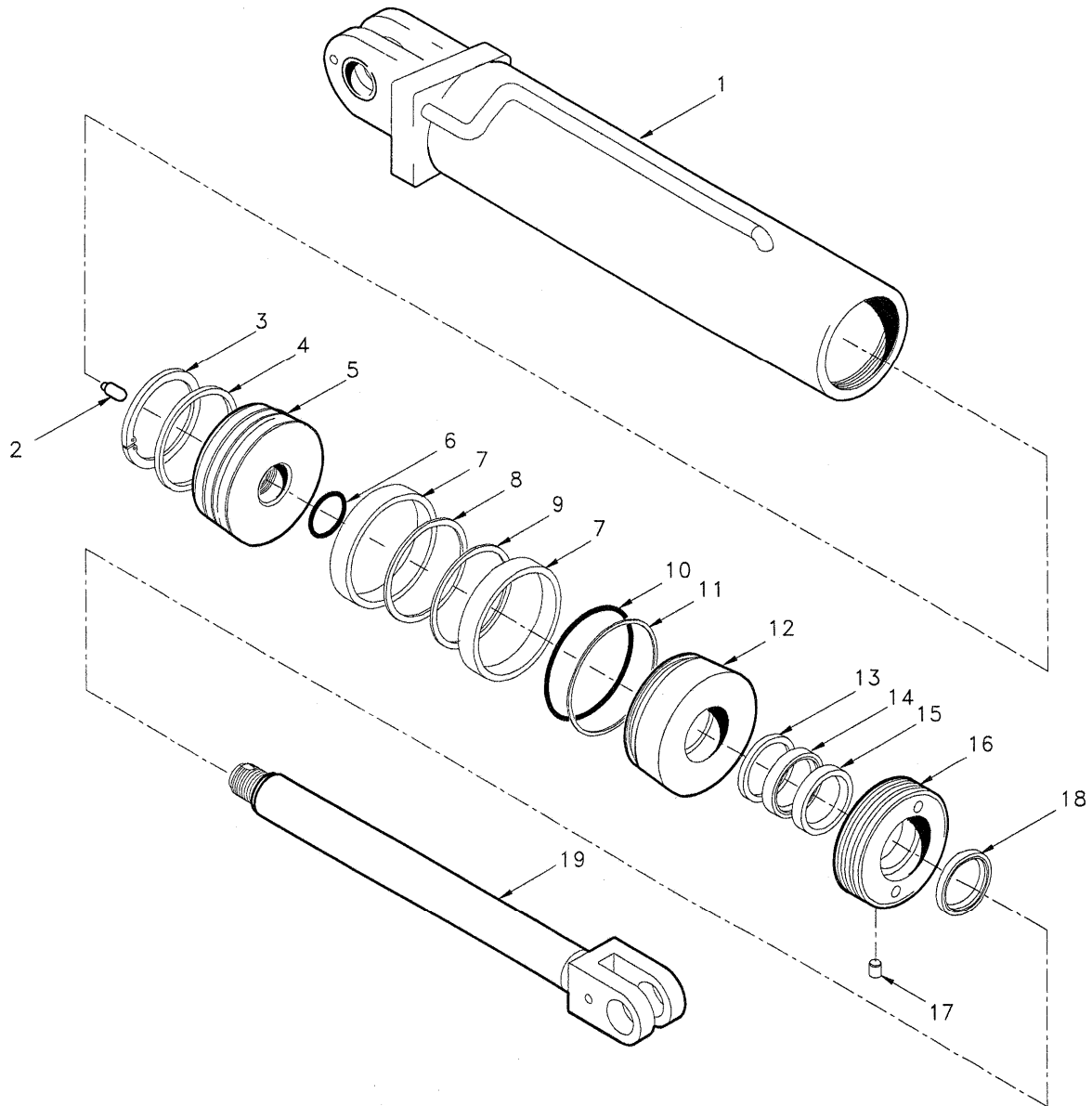
G67P - PARALLELOGRAM



G67H - HI-VIS

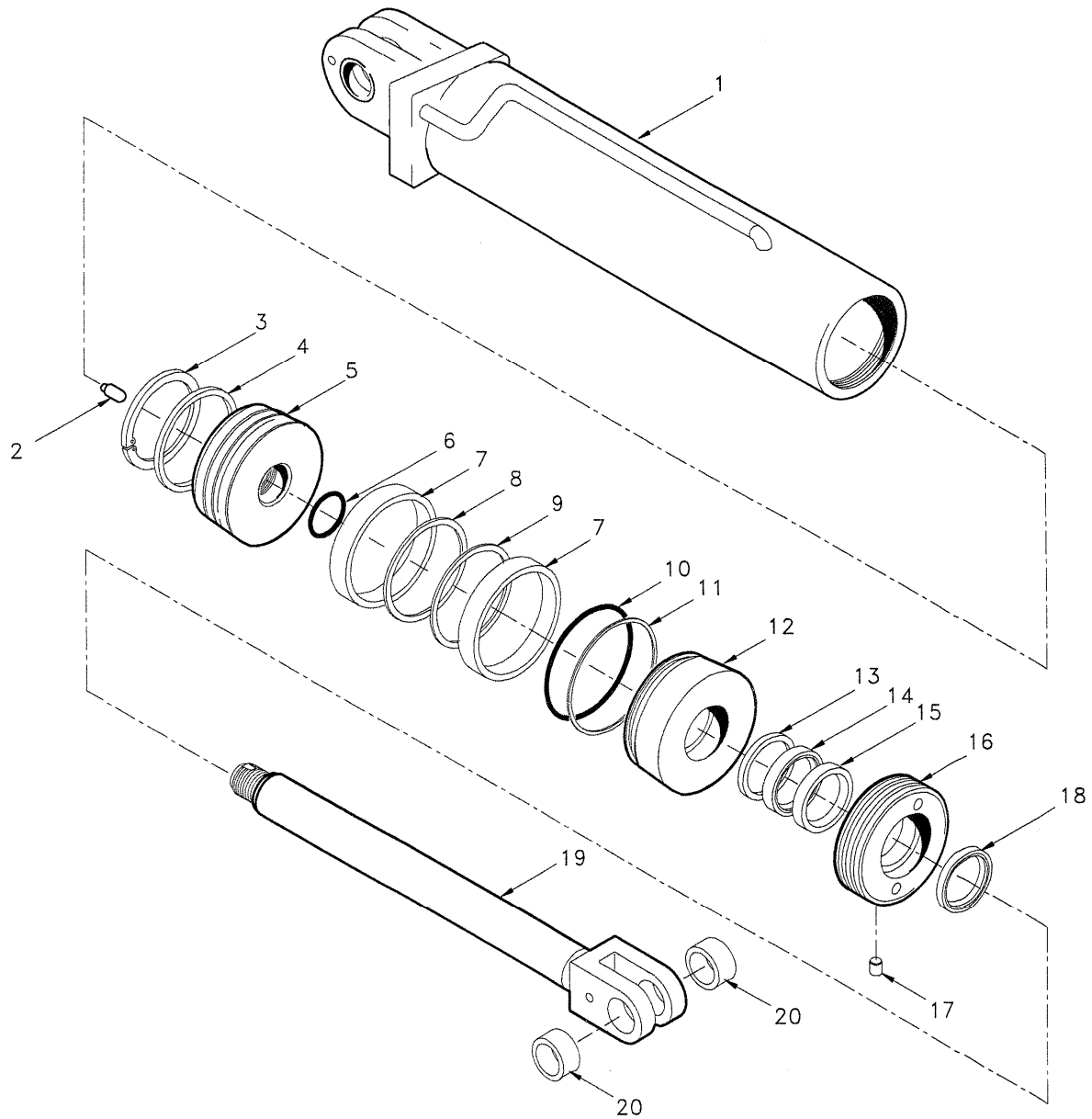
G67 Hydraulic Cylinder Locations

| Item | Part No | Qty | Description | Item | Part No | Qty | Description |
|--|----------|-----|--------------------------------------|------|---------|-----|-------------------------------------|
| R001 G67 Hydraulic Cylinder Locations | | | | | | | |
| 1 | R10081 | 2 | . Blade Cylinder - See Pg 9 - 4.2 | 5 | R10113 | 1 | . Grapple Cylinder - See Pg 9 - 4.5 |
| 2 | R2552361 | 2 | . Steering Cylinder - See Pg 9 - 4.3 | 6 | ----- | NSS | . Arch Cylinder |
| 3 | R2552115 | 2 | . Boom Cylinder - See Pg 9 - 4.4 | 7 | ----- | NSS | . Grapple Cylinder |
| 4 | R2552115 | 2 | . Arch Cylinder - See Pg 9 - 4.4 | | | | |



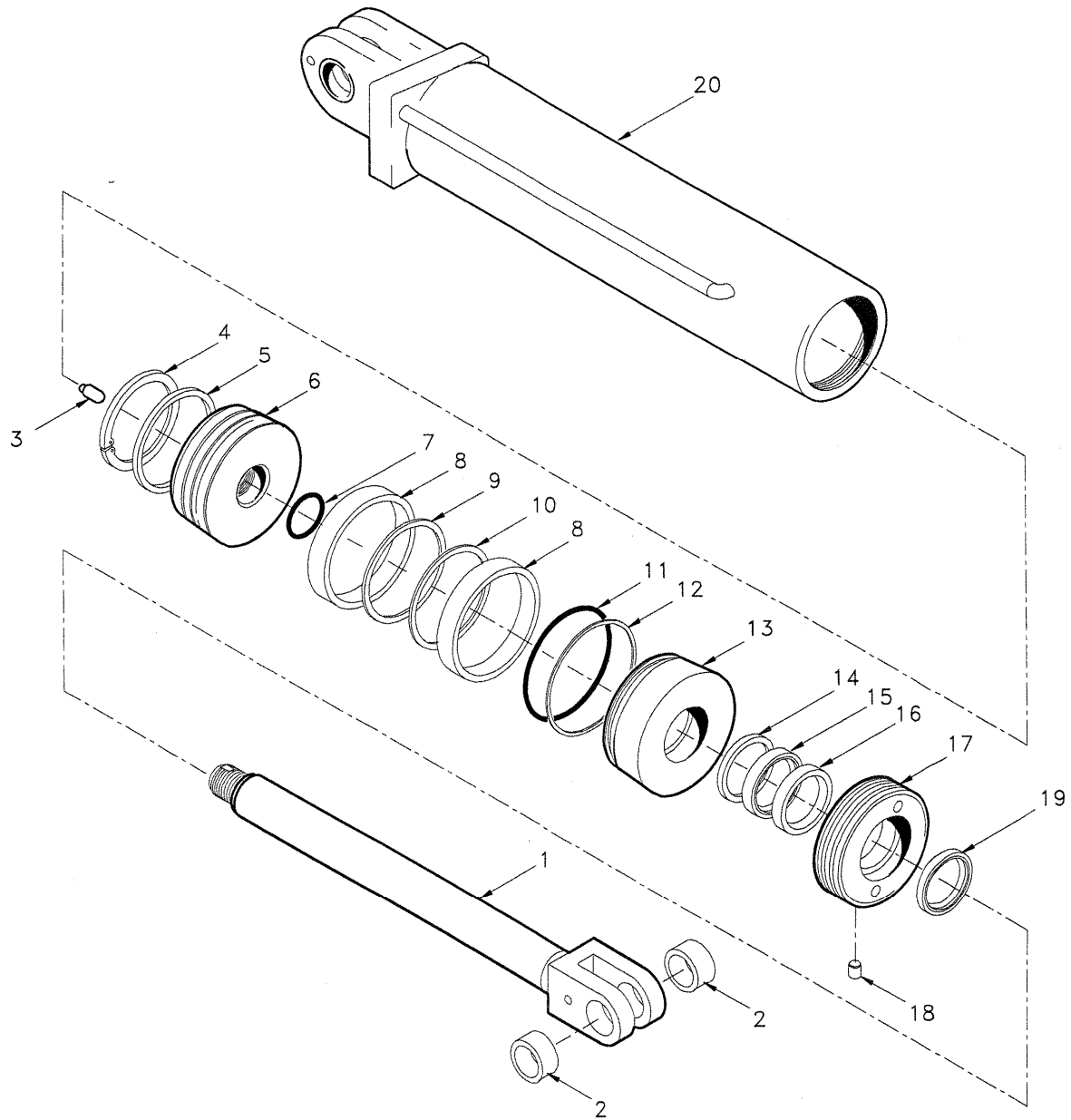
Blade Hydraulic Cylinder

| Item | Part No | Qty | Description | Item | Part No | Qty | Description |
|------|---------------|-----|---------------------------------|------|--|-----|-------------------|
| | R10081 | | Blade Hydraulic Cylinder | | | | |
| 1 | R10082 | 1 | . Barrel & Base Asm | 13 | *a ----- | 1 | . Ring |
| 2 | R2552116 | 1 | . Dowel Pin | 14 | *a ----- | 1 | . Seal |
| 3 | R10103 | 1 | . Snap Ring | 15 | *a ----- | 1 | . . Bearing |
| 4 | R10104 | 1 | . Washer | 16 | R2552354 | 1 | . Retainer, Gland |
| 5 | R10095 | 1 | . Piston | 17 | *a ----- | 1 | . . Plug |
| 6 | *a ----- | 1 | . O-Ring | 18 | *a ----- | 1 | . Wiper |
| 7 | *a ----- | 2 | . Ring | 19 | R10089 | 1 | . Stem & Eye Asm |
| 8 | *a ----- | 1 | . Ring | | | | |
| 9 | *a ----- | 1 | . Ring | | | | |
| 10 | *a ----- | 1 | . O-Ring | | | | |
| 11 | *a ----- | 1 | . Ring | | | | |
| 12 | R10093 | 1 | . Packing Gland | | | | |
| | | | | *a | Seal Kit P/N R12607136 | | |
| | | | | *b | Seal Kit P/N R12607155 - For use with Snap Ring Style Cylinders - Not Illustrated | | |



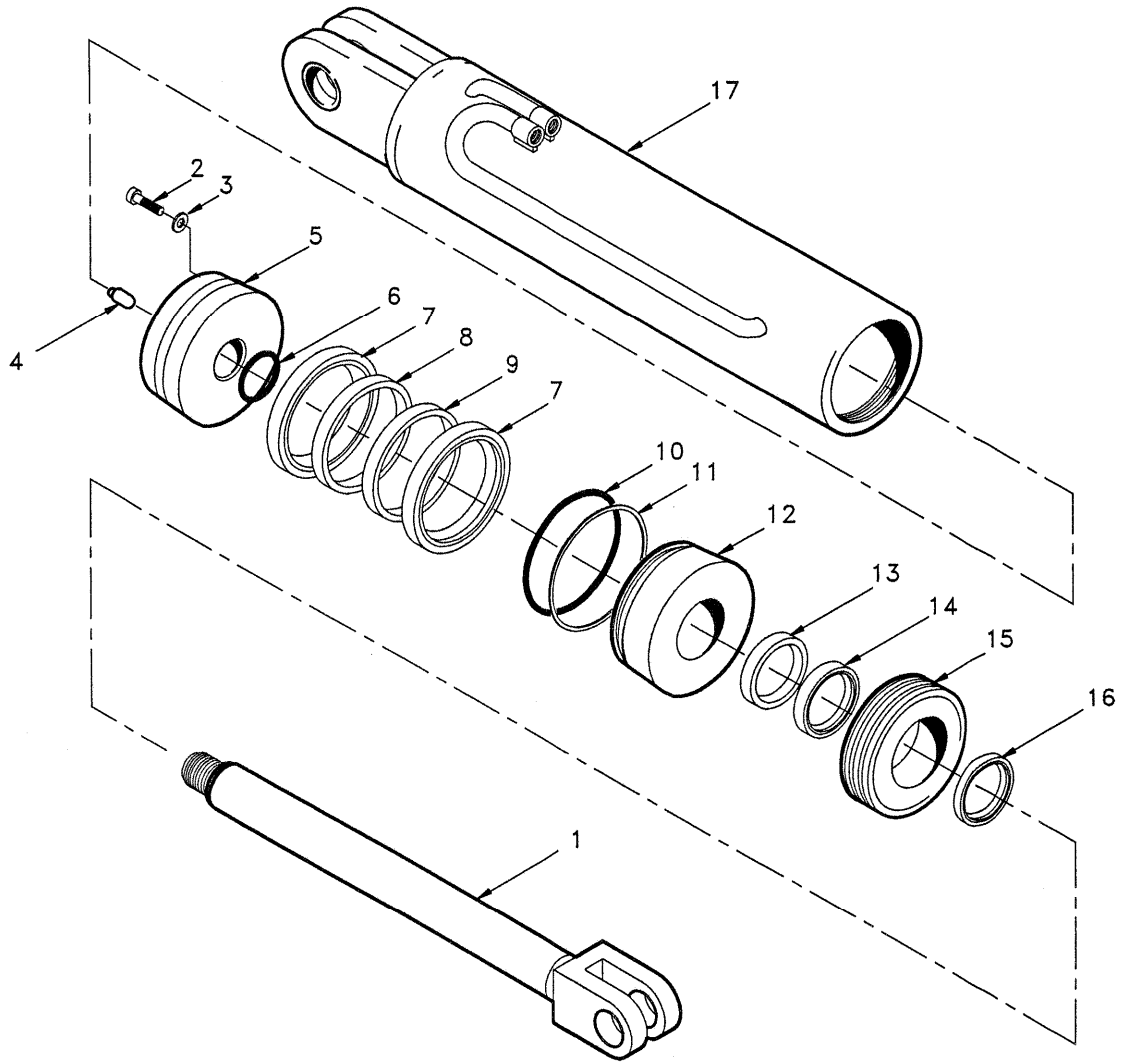
Steering Hydraulic Cylinder

| Item | Part No | Qty | Description | Item | Part No | Qty | Description |
|------|-----------------|-----|------------------------------------|------|-----------------------|-----|-------------------|
| | R2552361 | | Steering Hydraulic Cylinder | | | | |
| 1 | R2535815 | 1 | . Barrel & Base Asm | 12 | R2552360 | 1 | . Packing Gland |
| 2 | R2552116 | 1 | . Dowel Pin | 13 | *a | 1 | . Ring |
| 3 | R661312 | 1 | . Snap Ring | 14 | *a | 1 | . Seal |
| 4 | R2553562 | 1 | . Washer | 15 | *a | 1 | .. Bearing |
| 5 | R2552356 | 1 | . Piston | 16 | R2552354 | 1 | . Retainer, Gland |
| 6 | *a | 1 | . O-Ring | 17 | *a | 1 | .. Plug |
| 7 | *a | 2 | . Ring | 18 | *a | 1 | . Wiper |
| 8 | *a | 1 | . Ring | 19 | R2552358 | 1 | . Stem & Eye Asm |
| 9 | *a | 1 | . Ring | 20 | R1574466 | 2 | .. Bushing |
| 10 | *a | 1 | . O-Ring | | | | |
| 11 | *a | 1 | . Ring | | | | |
| | | | | *a | Seal Kit P/N R2542570 | | |



Parallelogram Arch/Boom Cylinder

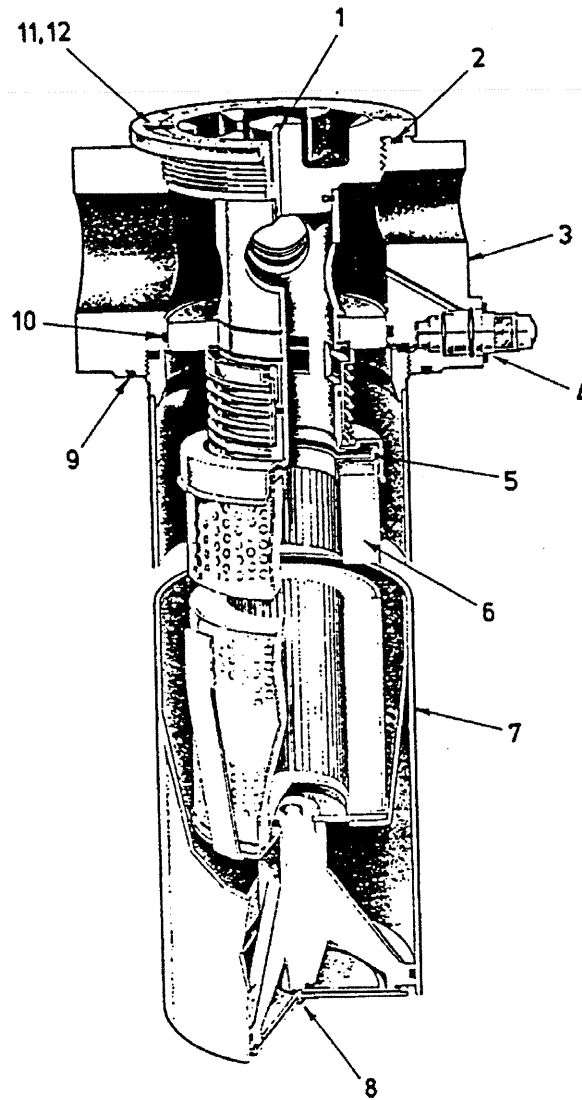
| Item | Part No | Qty | Description | Item | Part No | Qty | Description |
|------|-----------------|-----|---|------|--------------------------|-----|----------------------|
| | R2552115 | | Parallelogram Arch/Boom Cylinder | | | | |
| 1 | R255211 | 1 | .. Stem & Eye Asm | 12 | *a ----- | 1 | .. Ring |
| 2 | R1573309 | 2 | .. Bearing | 13 | R2552108 | 1 | .. Packing Gland |
| 3 | R2552116 | 1 | .. Dowel Pin | 14 | *a ----- | 1 | .. Ring |
| 4 | R12577380 | 1 | .. Retainer Ring | 15 | *a ----- | 1 | .. Seal |
| 5 | R2553563 | 1 | .. Washer | 16 | *a ----- | 1 | .. Bearing |
| 6 | R2552113 | 1 | .. Piston | 17 | R2552109 | 1 | .. Retainer, Gland |
| 7 | R13805321 | 2 | .. O-Ring | 18 | *a ----- | 1 | .. Plug |
| 8 | R12002971 | 1 | .. Ring | 19 | *a ----- | 1 | .. Wiper |
| 9 | R2553206 | 1 | .. Ring | 20 | R25526177 | 1 | .. Barrel & Base Asm |
| 10 | R1503463 | 1 | .. Ring | | | | |
| 11 | R13805282 | 1 | .. O-Ring | | *a Seal Kit P/N R2551403 | | |



Parallelogram Grapple Hydraulic Cylinder

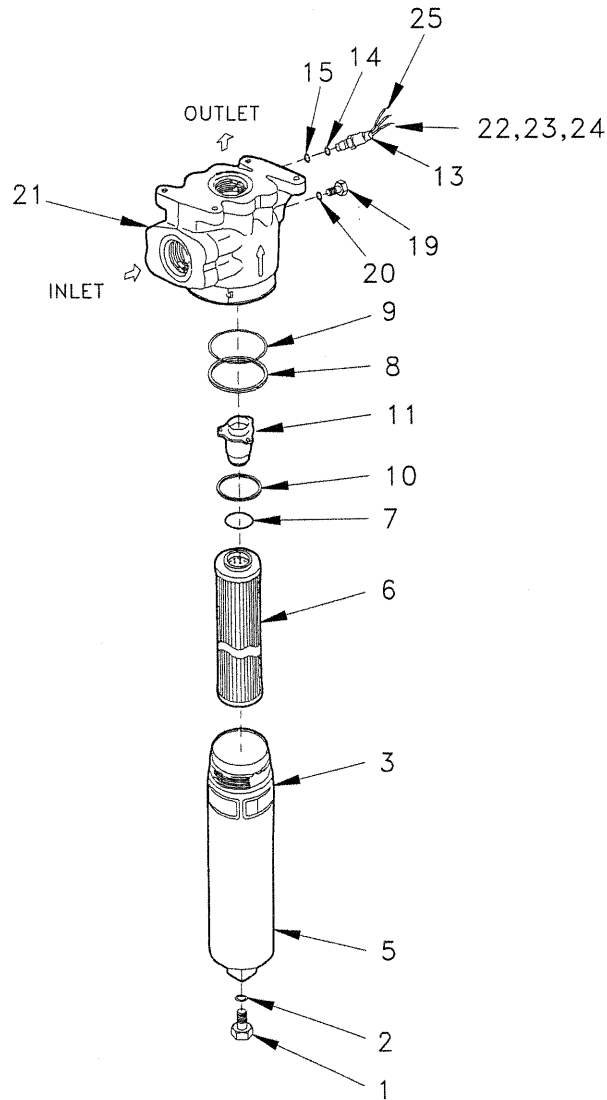
| Item | Part No | Qty | Description | Item | Part No | Qty | Description |
|------|---------------|-----|--|------|------------------------|-----|---------------------|
| | R10113 | | Parallelogram Grapple Hyd. Cylinder | | | | |
| 1 | R2552532 | 1 | . Stem & Eye Asm | 11 | *a ----- | 1 | . Ring |
| 2 | R13809407 | 1 | . Bolt | 12 | R10123 | 1 | . Packing Gland |
| 3 | R626787 | 1 | . Washer | 13 | *a ----- | 1 | . Ring |
| 4 | R2552116 | 1 | . Dowell Pin | 14 | *a ----- | 1 | . Seal |
| 5 | R10125 | 1 | . Piston | 15 | R10121 | 1 | . Retainer, Gland |
| 6 | *a ----- | 2 | . O-Ring | 15A | *a ----- | 1 | . Plug |
| 7 | *a ----- | 1 | . Ring | 16 | *a ----- | 1 | . Wiper |
| 8 | *a ----- | 1 | . Ring | 17 | R10114 | 1 | . Barrel & Base Asm |
| 9 | *a ----- | 1 | . Ring | | | | |
| 10 | *a ----- | 1 | . O-Ring | | | | |
| | | | | *a | Seal Kit P/N R12607139 | | |

Intentionally blank



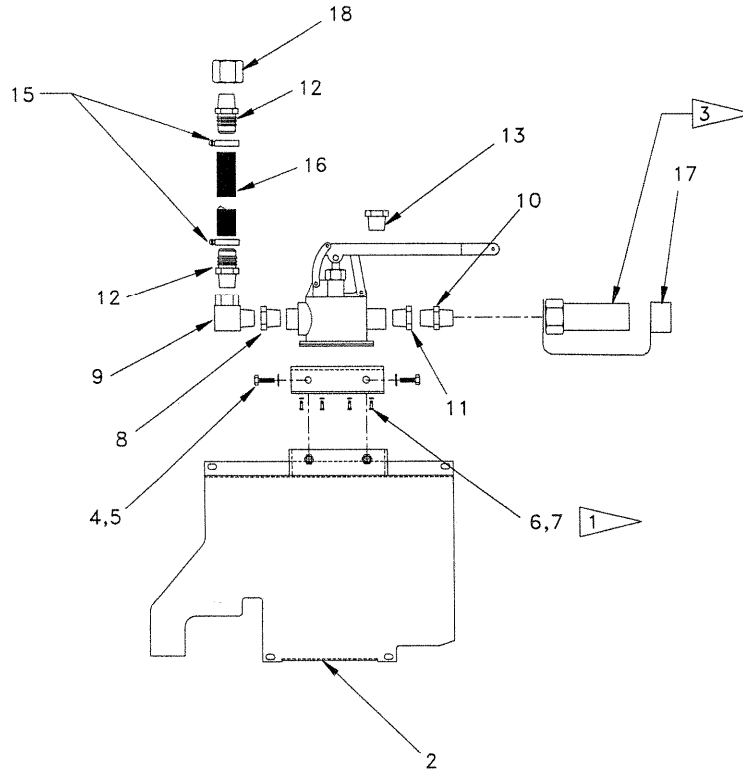
Hydraulic Return Filter

| Item | Part No | Qty | Description | Item | Part No | Qty | Description |
|------|---------------|-----|--------------------------------|------|------------------------|-----|-----------------|
| | R11862 | | Hydraulic Return Filter | | | | |
| 1 | R13909 | 1 | . Cover Assembly | 7 | R13911 | 1 | . Housing |
| 2 | *a ----- | 1 | . O-Ring | 8 | R13912 | 1 | . Housing Valve |
| 3 | R13910 | 1 | . Head | 9 | *a ----- | 1 | . O-Ring |
| 4 | R13791 | 1 | . Differential Pressure Device | 10 | *a ----- | 1 | . O-Ring |
| 5 | *a ----- | 1 | . O-Ring | | | | |
| 6 | R11689 | 1 | . Element | *a | Service Kit P/N R13913 | | |



High Pressure Filter Assembly

| Item | Part No | Qty | Description | Item | Part No | Qty | Description |
|------|---------------|-----|---------------------------------------|------|---------------------|-----|---------------|
| | R13775 | | Filter Assembly, High Pressure | | | | |
| | R11593 | 1 | . Filter Assembly | 14 | *a ----- | 1 | .. O-Ring |
| 1 | R13914 | 1 | .. Bleed Plug | 15 | *a ----- | 1 | .. O-Ring |
| 2 | *a ----- | 1 | .. O-Ring | 19 | R13919 | 1 | .. Bleed Plug |
| 3 | R13915 | 1 | .. Bowl | 20 | *a ----- | 1 | .. O-Ring |
| 5 | R13917 | 1 | .. Label | 21 | NSS | 1 | .. Head |
| 6 | R11775 | 1 | .. Filter Element | 22 | R740886 | 1 | . Connector |
| 7 | *a ----- | 1 | .. O-Ring | 23 | R740874 | 2 | . Pin, Female |
| 8 | *a ----- | 1 | .. Backup Ring | 24 | R740867 | 2 | . Seal, Wire |
| 9 | *a ----- | 1 | .. O-Ring | 25 | R740009 | A/R | . Tube |
| 10 | R13918 | 1 | .. Bypass Valve | | | | |
| 11 | NSS | 1 | .. . Retaining Ring | *a | Seal Kit P/N R13920 | | |
| 13 | R11781 | 1 | .. Differential Pressure Device | | | | |



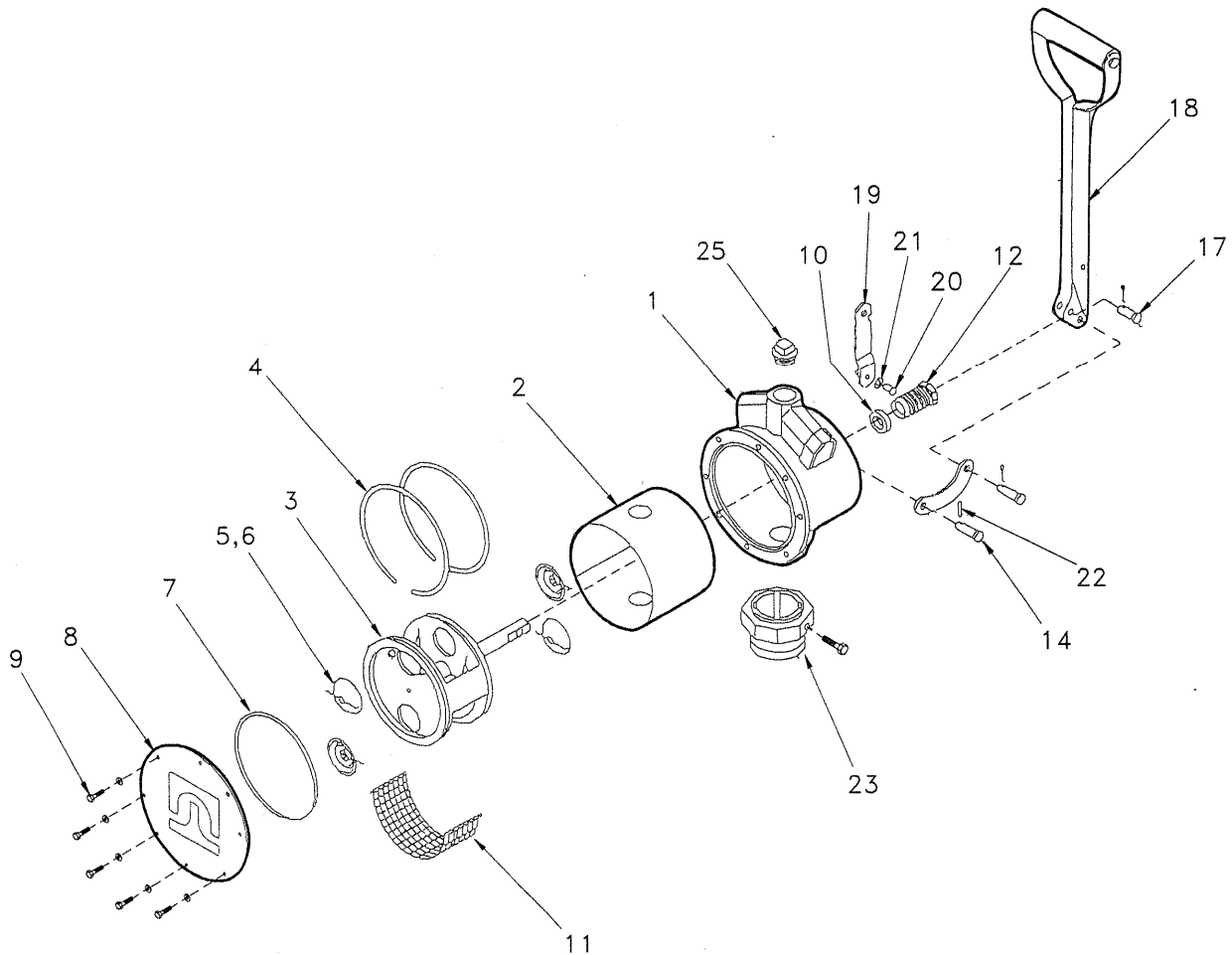
1 NOTE: REMOVE (8) CAPSCREWS SUPPLIED W/PUMP
LEAVE PUMP COVER PLATE IN PLACE
AND SECURE TO BRACKET USING
ITEMS #'S 6 & 7.

2 NOTE: COIL HOSE AT REAR OF ENGINE AND
SECURE W/STRAP TIE ITEM #20.

3 NOTE: USE MALE COUPLER SUPPLIED
WITH LOOSE HARDWARE.
SEE R11653
DRAWING FOR PART NUMBER

Hydraulic Fill Pump Installation

| Item | Part No | Qty | Description | Item | Part No | Qty | Description |
|------|---------------|-----|---|------|-----------|-----|---------------|
| | R11843 | | Hydraulic Fill Pump Installation | | | | |
| 1 | * R11858 | 1 | . Pump (9 - 6.2) | 10 | R13410 | 1 | . Fitting |
| 2 | R11870 | 1 | . Guard Rework, Blade Cylinder | 11 | R290416 | 1 | . Fitting |
| 3 | R11844 | 1 | . Pate | 12 | R11877 | 1 | . Fitting |
| 4 | R13807781 | 2 | . Capscrew | 13 | R13801764 | 1 | . Fitting |
| 5 | R13800830 | 2 | . Washer | 15 | R13803306 | 2 | . Clamp, Hose |
| 6 | R13801781 | 8 | . Capscrew | 16 | R13408 | A/R | . Hose, Bulk |
| 7 | R13800826 | 8 | . Washer | 17 | R330328 | 1 | . Cap, Dust |
| 8 | R13802224 | 1 | . Fitting | 18 | R11880 | 1 | . Fitting |
| 9 | R13802972 | 1 | . Fitting | 19 | R1736910 | 2 | . Strap |



Hydraulic Fill Hand Pump

| Item | Part No | Qty | Description |
|------|---------------|-----|---------------------------------|
| | R11858 | | Hydraulic Fill Hand Pump |
| 1 | R13921 | 1 | . Body |
| 2 | R13922 | 1 | . Body Liner |
| 3 | R13923 | 1 | . Piston Liner |
| 4 | *a ----- | 2 | . Piston Ring |
| 5 | *a ----- | 4 | . Valve Asm |
| 6 | *a ----- | 4 | . Spring Holder |
| 7 | *a ----- | 1 | . Cover Gasket |
| 8 | R13924 | 1 | . Cover |
| 9 | *b R13801781 | 8 | . Capscrew |
| | *b R13800826 | 8 | . Washer |
| 10 | *a ----- | 1 | . Packing |
| 11 | *a ----- | 1 | . Screen |
| 12 | *a ----- | 1 | . Bearing Nut |

| Item | Part No | Qty | Description |
|------|----------|-----|----------------|
| 13 | R13925 | 2 | . Link |
| 14 | R13926 | 2 | . Clevis Pin |
| 17 | R13927 | 1 | . Clevis Pin |
| 18 | R13928 | 1 | . Handle Asm |
| 19 | R13929 | 1 | . Locking Link |
| 20 | R13930 | 1 | . Rivet |
| 21 | R13931 | 1 | . Tension Nut |
| 22 | R13932 | 3 | . Cotter Pin |
| 23 | R13933 | 1 | . Barrel Bung |
| 25 | *a ----- | 1 | . Bearing Nut |

*a Repair Kit P/N R13934

*b Original Fasteners replaced with item 9 for installation.