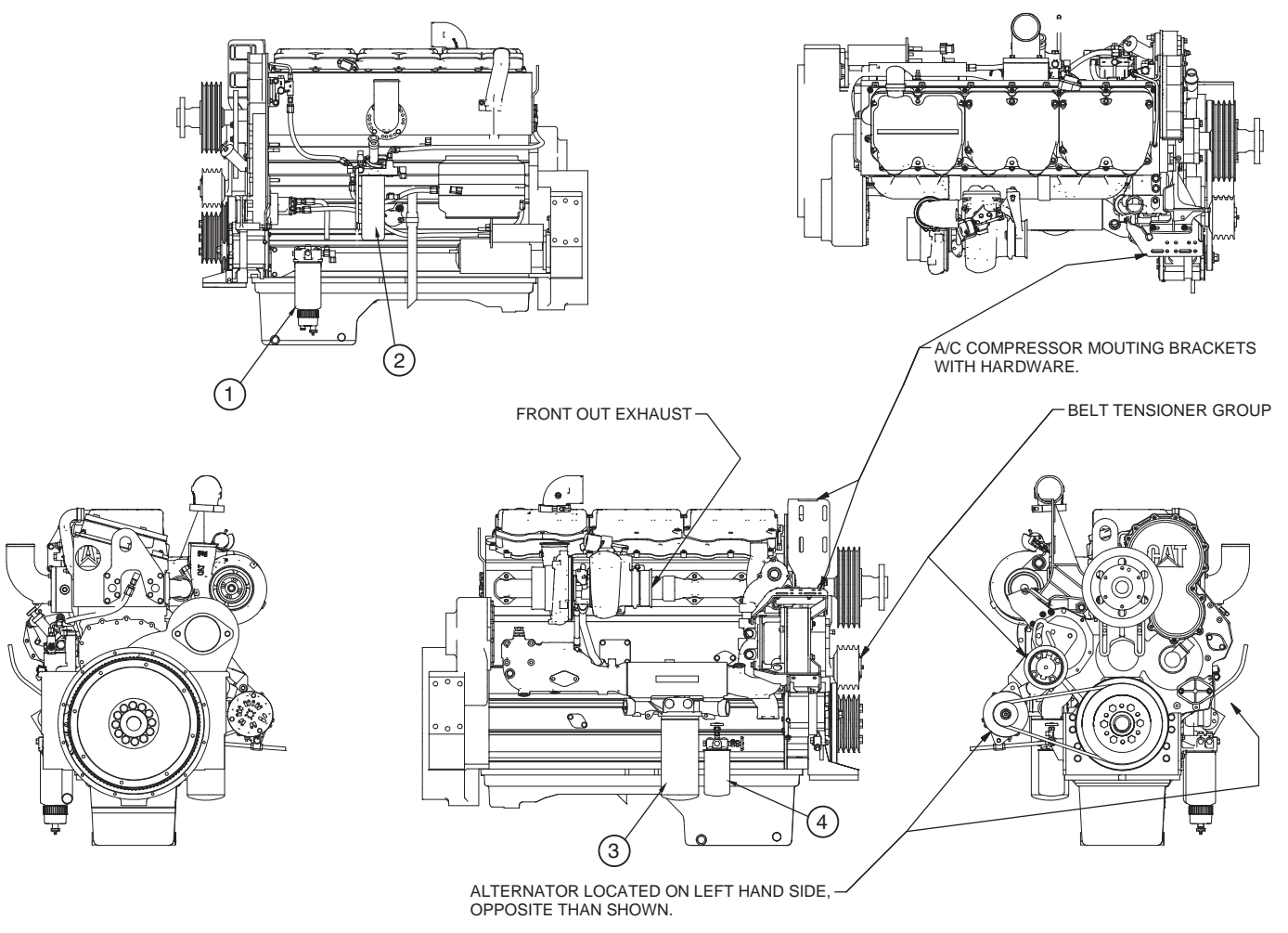


Engine, CAT C15 440HP

DESCRIPTION: ENGINE, CAT C15 440 HP

SPECIFICATIONS: ELECTRONIC CONTROL, 440 BHP, 2100 RPM, INDUSTRIAL "C"  
 SAE #1 FLYWHEEL HSG W/ FLEX PLATE INTERFACE & SINGLE 1:1 RATIO REPTO "C" DRIVE  
 24VDC, LOWER LEFT SIDE MOUNTED 95 AMP ALTERNATOR, PORTED THERMOSTAT BYPASS  
 AUXILLARY PRESSURE & TEMPERATURE SENSORS AND COOLANT LEVER SENSORS  
 0.681:1 FAN DRIVE @ 21" WITH BELT TENSIONER GROUP .



Item	Part No.	Qty	Description	Item	Part No.	Qty	Description
	<b>258748</b>		<b>Engine</b>				
1	587624	1	. Primary Fuel Filter Element				
2	587568	1	. Secondary Fuel Filter Element				
3	587565	1	. Engine Oil Filter				
4	587622	1	. Water Treatment Element				