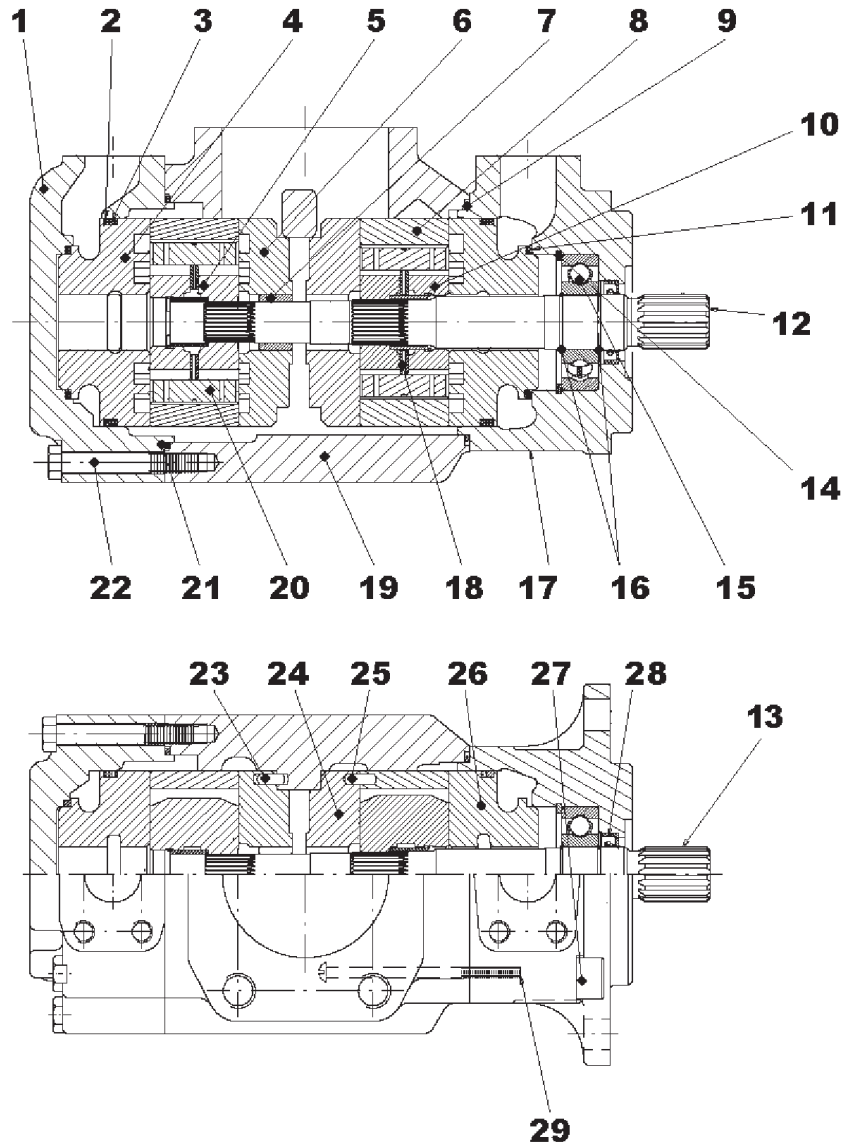


Cooling System Vane Pump



Item	Part No.	Qty	Description	Item	Part No.	Qty	Description
250864 Cooling System Vane Pump							
1	-----	1	. End Cap	18	*b -----	20	. Vane Holdout Pin
2	*a -----	2	. Section Seal	19	-----	1	. Housing
3	*a -----	2	. Backup Ring	20	*c -----	20	. Vane
4	*c -----	1	. Port Plate-Pressure	21	*a -----	1	. Section Seal
5	*c -----	1	. Rotor Insert Assy	22	-----	7	. Screw
6	*c -----	1	. Port Plate-Rear	23	*c -----	2	. Dowel Pin
7	*c -----	1	. Bushing	24	*b -----	1	. Port Plate-Rear
8	*b -----	2	. Cam Ring	25	*b -----	4	. Dowel Pin
9	*a -----	1	. O-Ring	26	*b -----	1	. Port Plate-Pressure
10	*b -----	1	. Rotor Insert Assy	27	-----	4	. Screw
11	*a -----	2	. Section Seal	28	*a -----	1	. Shaft Seal
12	-----	1	. Key	29	-----	4	. Screw
13	*d -----	1	. Shaft				
14	*a -----	1	. Retaining Ring				
15	*d -----	1	. Ball Bearing				
16	*a -----	2	. Round Section Ring				
17	-----	1	. Mounting Cap				

*a Available in Seal Kit 252097
 *b Use Front Cartridge Kit 252095
 *c Use Rear Cartridge Kit 252096
 *d Use Shaft & Bearing Kit 252098