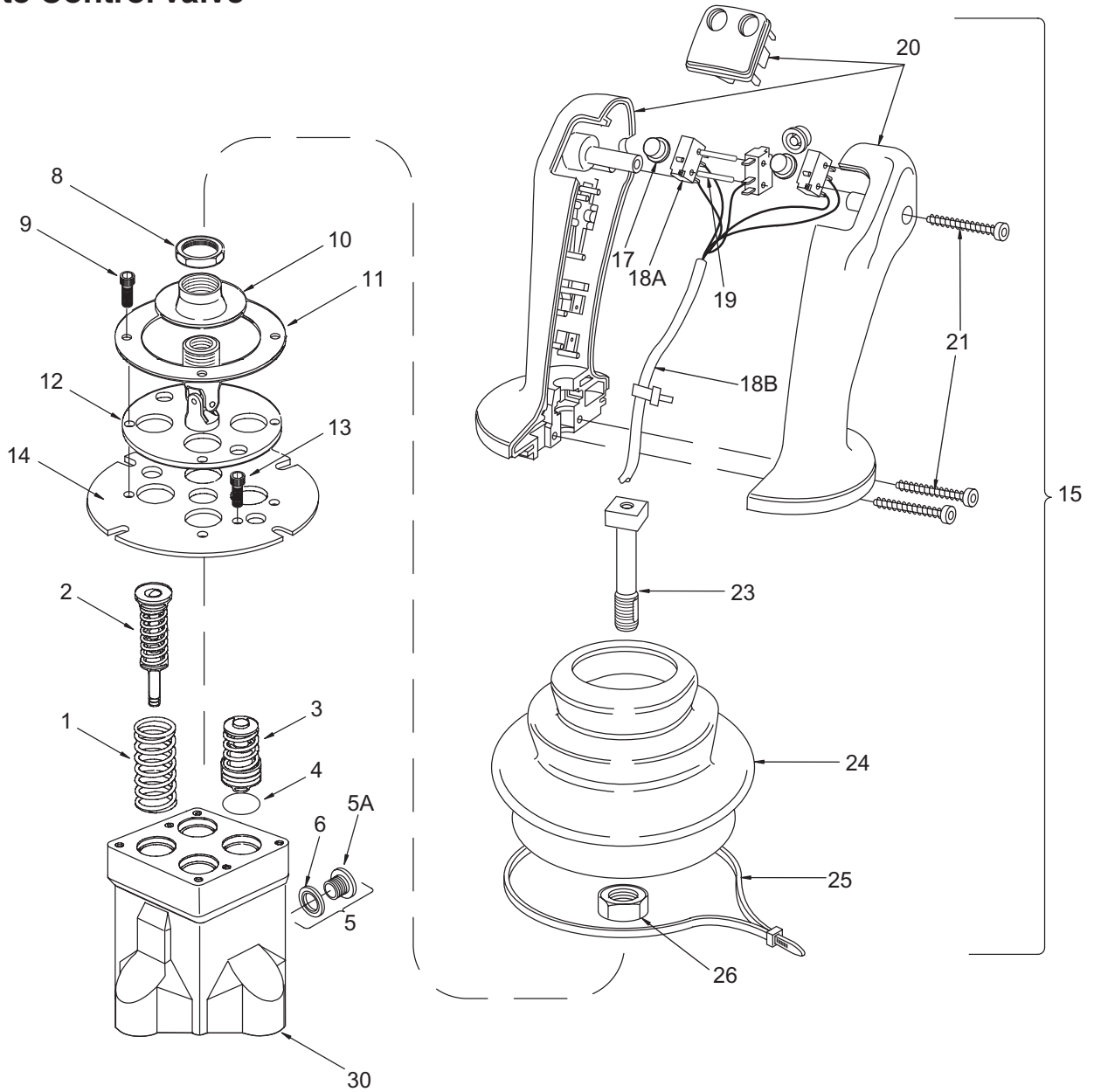


Remote Control Valve



Item	Part No.	Qty	Description	Item	Part No.	Qty	Description
	249361		Remote Control Valve				
1	237783	4	.. Return Spring	17	249613	2	.. Push Button
2	240455	4	.. Spring Cartridge	18	* 249614	1	.. Cable & Switch Assembly
3	230397	4	.. Pin Set	18A	* - - - - -	2	... Switch
4	240456	4	.. O-Ring	18B	* - - - - -	1	... Cable
5	240457	1	.. Plug Kit	19	* 249615	2	.. Pin
5A	- - - - -	1	.. Plug	20	249616	1	.. Handle
6	237786	1	.. O-Ring	21	- - - - -	3	.. Screw
7	230394	1	.. Mounting Plate Kit	23	- - - - -	1	.. Lever
8	- - - - -	1	.. Nut	24	249617	1	.. Bellows
9	- - - - -	4	.. Screw	25	228436	1	.. Lock Strip
10	228438	1	.. Power Disc	26	- - - - -	1	.. Nut
11	- - - - -	1	.. Mounting Disc	30	NSS	1	.. Valve Body
12	- - - - -	1	.. Disc w/Joint				
13	- - - - -	2	.. Screw				
14	- - - - -	1	.. Mounting Disc				
15	248419	1	.. Handlever Assembly				

* Included in 580381 Microswitch Kit
 NSS Not Sold Separately