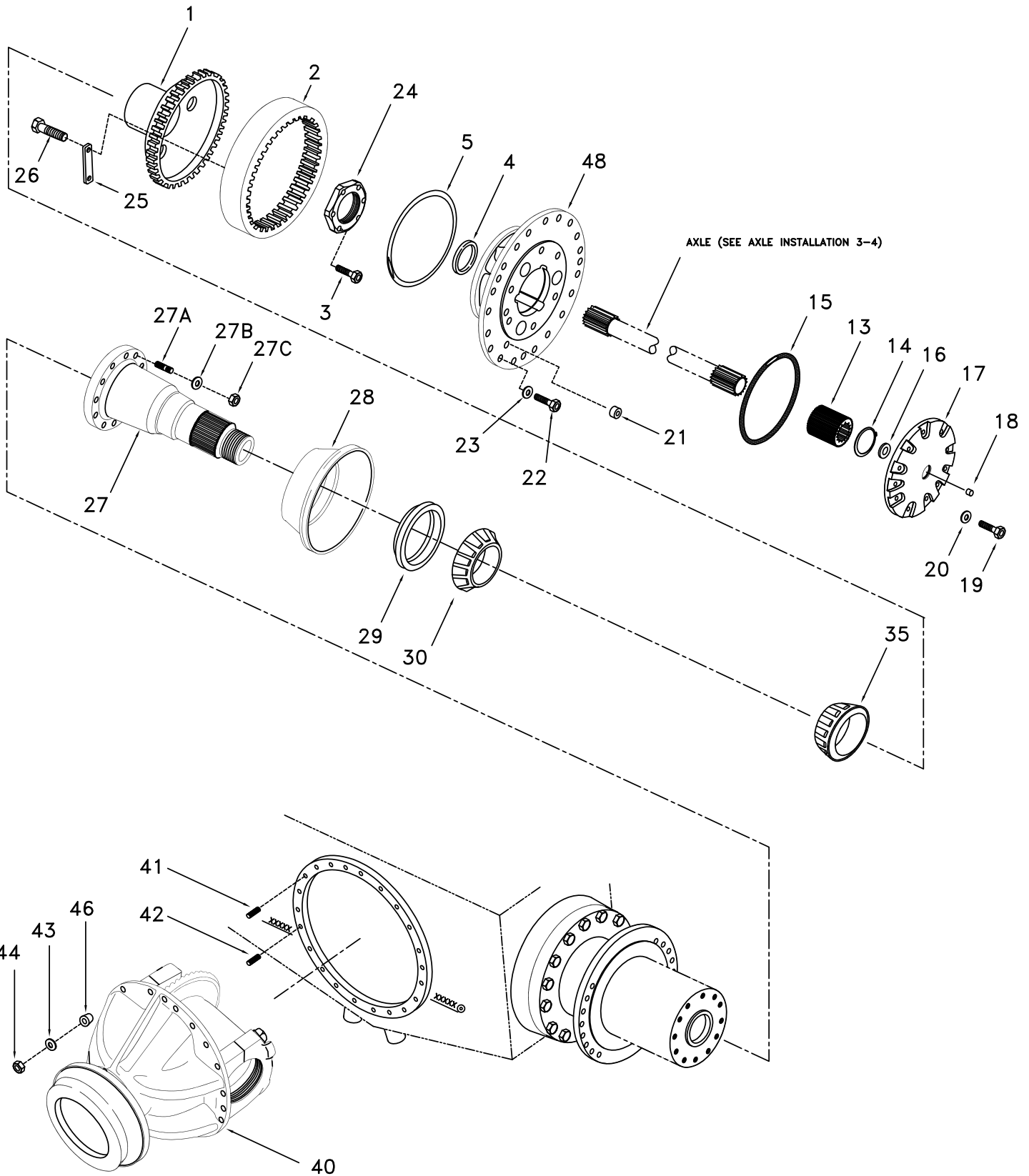

Wheel End And Differential Kit



Item	Part No.	Qty	Description	Item	Part No.	Qty	Description
	249162		Wheel End And Differential Kit				
1	*a 216149	2	. Internal Gear Hub	27	248619	2	. Spindle
2	*a 212114	2	. Internal Gear	27A	219246	24	. Stud
3	201634	6	. Capscrew	27B	*d -----	24	. Washer
4	200970	2	. Thrust Washer	27C	*d -----	24	. Nut
5	200968	2	. O-Ring	28	*c 216157	2	. Oil Catcher
13	200963	2	. Sun Gear	29	216156	2	. Oil Seal
14	201093	2	. Snap Ring	30	216146	2	. Bearing Cone
15	211821	2	. O-Ring	35	201148	2	. Bearing Cone
16	*b 201231	2	. Thrust Washer	40	* 580700	1	. Differential & Carrier Assembly
17	211820	2	. Cover Assembly	41	214145	18	. Stud
18	211954	2	. Plug	42	214146	4	. Stud
19	221616W	18	. Capscrew	43	207488	22	. Washer
20	200762	18	. Washer	44	223615	22	. Nut
21	205722	2	. Plug	46	217874	12	. Dowel
22	211960	36	. Capscrew	48	* 211953	2	. Planet Carrier Assembly
23	204882	36	. Washer				
24	230705	2	. Nut				
25	*a 212121	12	. Plate				
26	*a 232340	24	. Capscrew				

*a Included In 214939 Internal Gear & Hub Assembly.

*b Included In 211820 Cover Assembly.

*c Not Used on Machines with Dual Wheels. See Axle Parts Page.

*d Not Included. See Axle Parts Page and Order Separately.

* See Separate Coverage.