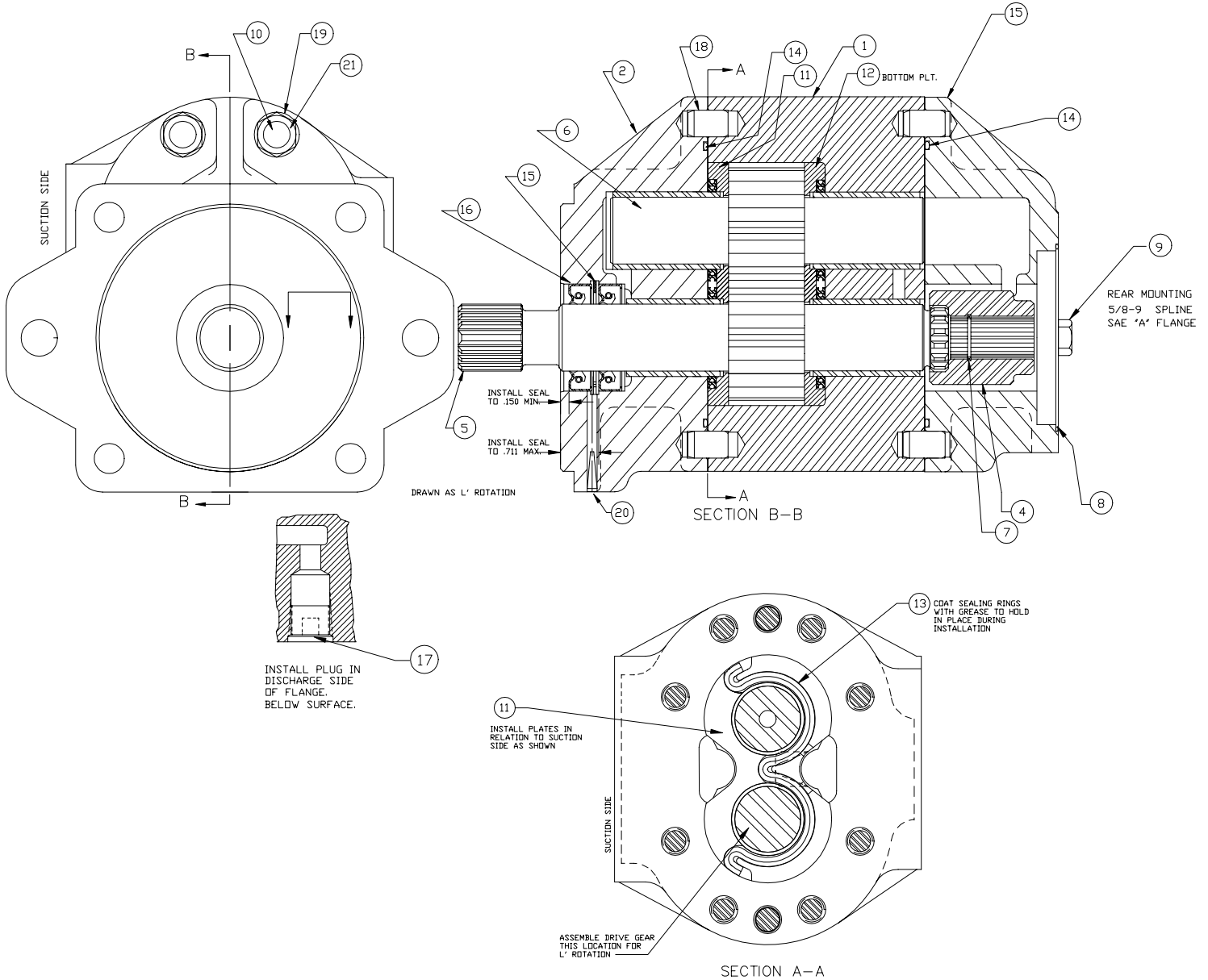


Pump, Front



| Item | Part No. | Qty | Description | Item | Part No. | Qty | Description |
|------|---------------|-----|---------------------------|------|----------|-----|-------------------------------------|
| | 245520 | | Pump, Front | | | | |
| 1 | NSS | 1 | . Body | 13 | * ----- | 4 | . Sealing Strip |
| 2 | NSS | 1 | . Flange | 14 | * ----- | 2 | . O-Ring |
| 3 | NSS | 1 | . Adapter Plate | 15 | * ----- | 1 | . Snap Ring |
| 4 | 248188 | 1 | . Coupling | 16 | * ----- | 2 | . Seal |
| 5 | NSS | 1 | . Drive Gear | 17 | 246767 | 1 | . Plug |
| 6 | NSS | 1 | . Idler Gear | 18 | 246768 | 4 | . Dowels |
| 7 | 246775 | 1 | . Snap Ring | 19 | 246781 | 16 | . Washer |
| 8 | 246776 | 1 | . O-Ring | 20 | * ----- | 1 | . Plug |
| 9 | 246777 | 2 | . Capscrew | 21 | 246782 | 16 | . Nut |
| 10 | 246778 | 8 | . Stud | | | | |
| 11 | NSS | 1 | . Pressure Plate (Top) | | | | * Included in 246783 Soft Goods Kit |
| 12 | NSS | 1 | . Pressure Plate (Bottom) | | | | NSS Not Sold Separately |