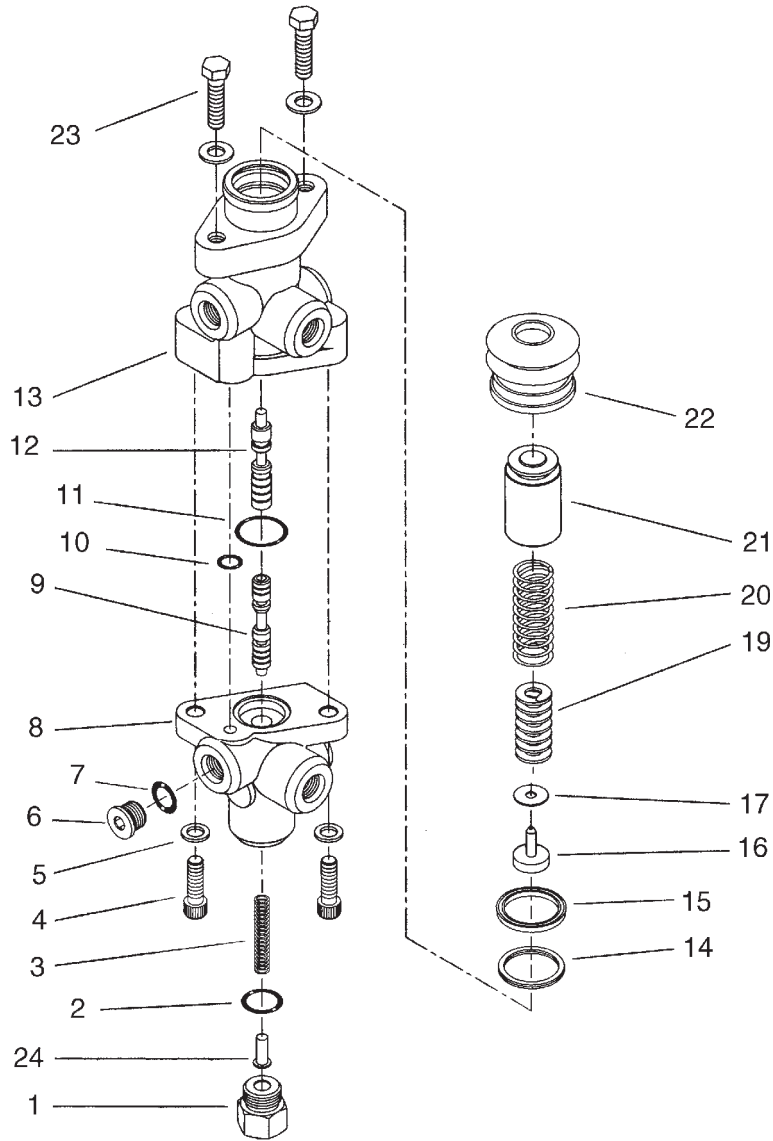


Brake Valve



| Item | Part No. | Qty | Description | Item | Part No. | Qty | Description |
|------|---------------|-----|--------------------|------|----------|-----|---------------------|
| | 244868 | | Brake Valve | | | | |
| 1 | ----- | 1 | . End Plug | 14 | * ----- | 1 | . Seal |
| 2 | * ----- | 1 | . O-Ring | 15 | * ----- | 1 | . Cup |
| 3 | ----- | 1 | . Spring | 16 | ----- | 1 | . Retainer Assembly |
| 4 | ----- | 2 | . Capscrew | 17 | ----- | A/R | . Shim |
| 5 | ----- | 2 | . Washer | 19 | ----- | 1 | . Spring |
| 6 | * ----- | 1 | . Plug | 20 | ----- | 1 | . Spring |
| 7 | * ----- | 1 | . O-Ring | 21 | ----- | 1 | . Piston |
| 8 | ----- | 1 | . Housing | 22 | * ----- | 1 | . Boot |
| 9 | ----- | 1 | . Spool | 23 | ----- | 2 | . Capscrew |
| 10 | * ----- | 1 | . O-Ring | 24 | ----- | 1 | . Retainer |
| 11 | * ----- | 1 | . O-Ring | | | | |
| 12 | ----- | 1 | . Spool | | | | |
| 13 | ----- | 1 | . Housing | | | | |

* Included in Repair Kit, P/N 245369