
Transmission

Transmission

Item	Part No.	Qty	Description	Item	Part No.	Qty	Description
	244179		Transmission				
1	*a 204774	1	. Disc Hub Snap Ring	76	*a R238535	1	. Air Breather
2	-----	1	. Input Clutch - See Page 6	77	*a 217002	1	. Gasket
3	*a 591548	2	. Ring, Seal	78	*a 238093	1	. Snap Ring
4	237295	1	. Capscrew	79	-----	1	. 1st Clutch Assembly - See P. 7
5	228701	1	. Clutch Support & Plug Assembly	80	*a 221129	2	. Clutch Support Piston Ring
6	234556	1	. Nut	81	*a 221130	2	. Piston Ring Expander Spring
9	*a 228702	1	. Bearing	82	237295	8	. Screw
10	212358	1	. Lock Ball	83	238094	1	. Clutch Support and Plug Assy
11	238089	1	. Spacer	84	240523	1	. Shaft, 1st & 3rd
12	216971	1	. Gear	85	*a 228726	1	. Bearing
13	*a 216972	1	. Gasket	86	*a 212355	1	. Snap Ring
14	200602	1	. Lockwasher	87	-----	1	. Transmission Case - See Page 5
15	212138	4	. Capscrew	88	217006	1	. Spacer
15A	216973	2	. Capscrew	89	*a 212254	1	. Washer, Flange
16	-----	1	. Ctrl Valve Assy - See Page 9	90	*a 217008	1	. Bearing
17	216974	6	. Screw	91	234556	1	. Locknut
18	200602	6	. Lockwasher	93	200604	2	. Lockwasher
19	*a 15862W	6	. O-Ring	95	212251	2	. Capscrew
21	216971	1	. Gear	96	227833	1	. Clutch Support and Plug Assy
22	216977	1	. Spacer	97	237295	8	. Screw
23	238091	1	. Shaft	98	*a 591548	2	. Ring, Seal
24	*a 216979	1	. Bearing	99	-----	1	. 3rd Clutch Assembly - See P. 8
25	*a 216980	1	. Gasket	100	*a 204774	1	. Snap Ring
26	234559	1	. Cap, Bearing	101	*a 204774	1	. Snap Ring
27	*a 208547	1	. Seal	102	-----	1	. 4th Clutch Assembly - See P. 8
28	200604	4	. Lockwasher	103	*a 591548	2	. Ring, Seal
29	212251	4	. Capscrew	104	237295	1	. Screw
31	216795	1	. Flange	105	227833	1	. Clutch Support and Plug Assy
32	*a Y060600-325	1	. O-Ring	106	234556	1	. Nut, Lock
33	216983	1	. Washer	109	*a 217008	1	. Bearing
34	245567	1	. Nut	110	*a 212254	1	. Washer
36	212251	4	. Capscrew	111	228716	1	. Gear
37	200604	4	. Lockwasher	112	228717	1	. Gear
38	234560	1	. Cap, Bearing	113	217006	1	. Spacer
39	*a 216980	1	. Gasket	114	*a 212355	1	. Spacer
40	221420	1	. Nut	115	*a 228726	1	. Bearing
41	234561	1	. Spacer	116	238096	1	. Lock Pin
42	*a 216979	1	. Bearing	117	240523	1	. Shaft, 2nd & 4th
43	238091	1	. Shaft	118	238094	1	. Clutch Support and Plug Assy
44	216977	1	. Spacer	119	237295	8	. Screw
45	238089	1	. Spacer	120	*a 221130	2	. Clutch Support Piston Ring
46	*a 228702	1	. Bearing	121	*a 221129	2	. Clutch Support Piston Ring Exp.
47	212358	1	. Lock Ball	123	-----	1	. 2nd Clutch Assembly - See P. 7
48	234556	1	. Nut	124	*a 238093	1	. Snap Ring
51	228701	1	. Clutch Support & Plug Assembly	127	223218	20	. Washer
52	237295	8	. Screw	128	223217	20	. Capscrew
53	*a 591548	2	. Ring, Seal	132	218486	1	. Locknut
54	-----		. Reverse Clutch - See Page 6	133	*a 212254	1	. Washer, Flange
55	*a 204774	1	. Snap Ring	134	*a 212253	1	. O-Ring
56	238092	3	. Bolt	135	228722	1	. Flange
57	228704	1	. Plate	136	212251	6	. Capscrew
58	*a 228705	A/R	. Shim	137	200604	6	. Lockwasher
58A	*a 228706	A/R	. Shim	138	217025	1	. Bearing Cap & Seal
58B	*a 228707	A/R	. Shim	139	*a 15887W	1	. O-Ring
58C	*a 228708	A/R	. Shim	140	*a 212250	1	. Seal
59	228709	1	. Gear	141	*a 217013	1	. Cap, Bearing
60	228710	1	. Plate	142	*a 217014	1	. Cone, Bearing
61	*a 228711	1	. Cone, Bearing	143	217015	1	. Shaft
62	*a 228712	1	. Cup, Bearing	144	228719	1	. Gear
63	228713	1	. Oil Baffle, Bearing	145	200622	2	. Plug
64	228723	1	. Oil Baffle, Bearing	146	223218	18	. Washer, Belleville
65	*a 228724	1	. Cup, Bearing	147	223217	18	. Capscrew
66	*a 228725	1	. Cone, Bearing	148	234566	1	. Oil Sump Assembly
67	228728	1	. Shaft	149	227839	2	. Sump Magnet
69	591586	1	. Speed Sensor - See Page 11	150	*a 217018	1	. Gasket
74	245568	1	. Cover, 1st & 2nd Clutch	151	217019	3	. Screw
75	217011	1	. Elbow, Street	152	200602	3	. Lockwasher

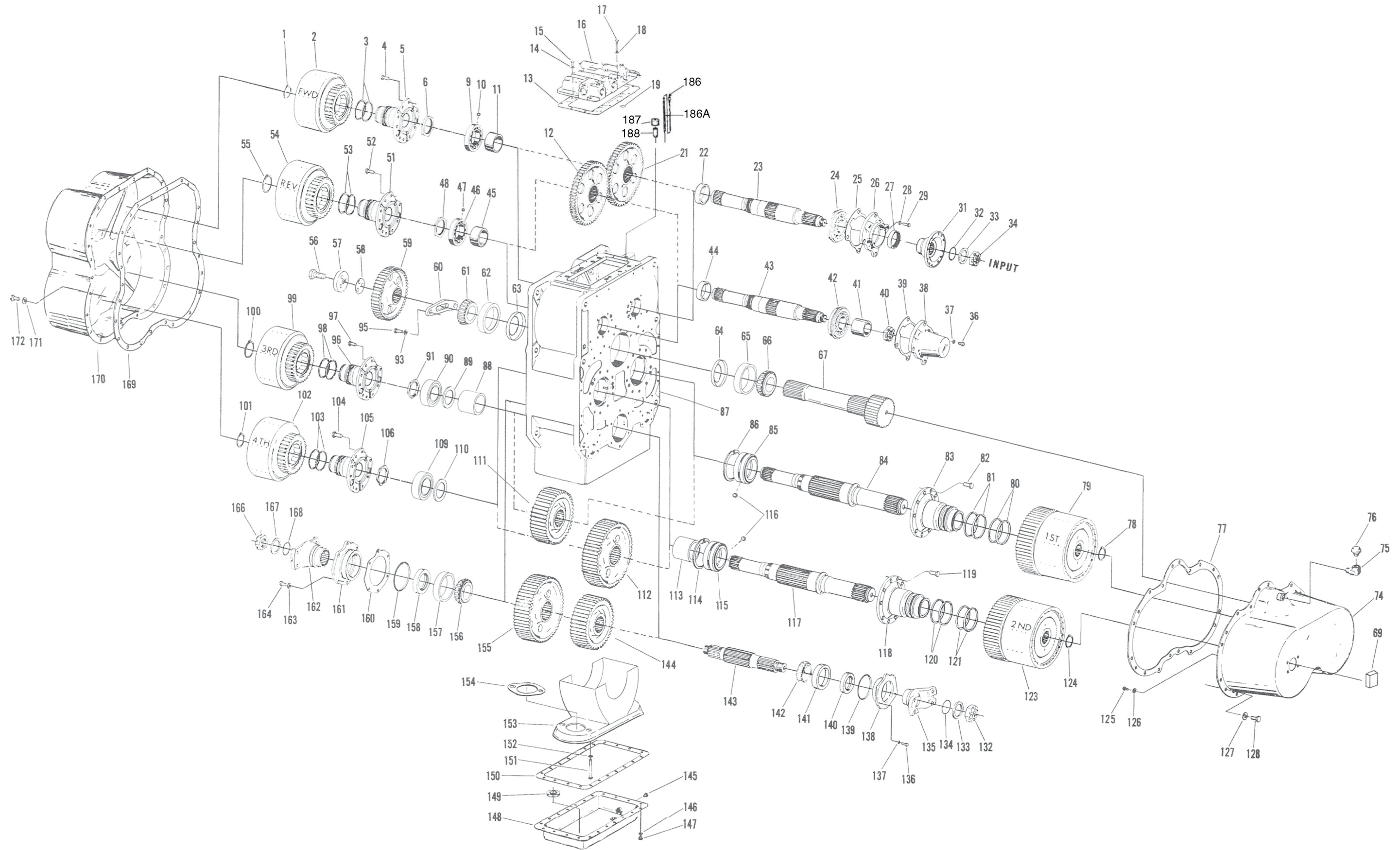
Transmission

Item	Part No.	Qty	Description	Item	Part No.	Qty	Description
153	228720	1	. Oil Sump Frame & Screen Assy				
154	*a 214778	1	. Gasket				
155	228718	1	. Gear				
156	*a 217014	1	. Bearing Cone				
157	*a 217013	1	. Bearing Cup				
158	*a 212250	1	. Seal				
159	*a 15887W	1	. O-Ring				
160	*a 217022	A/R	. Shim				
160A	*a 217023	A/R	. Shim				
160B	*a 217024	A/R	. Shim				
161	217025	1	. Brg Cap & Oil Seal - Inc. 158				
162	228722	1	. Flange				
163	200604	6	. Lockwasher				
164	212251	6	. Capscrew				
166	218486	1	. Nut				
167	*a 212254	1	. Washer, Flange				
168	*a 212253	1	. O-Ring				
169	*a 217027	1	. Gasket				
170	228700	1	. Clutch Cover				
171	223218	26	. Lockwasher				
172	223217	26	. Screw				
186	216975	1	. Dipstick				
186A	217527	1	. Dipstick Housing				
187	214768	1	. Cap, Pipe				
188	214769	1	. Fitting				

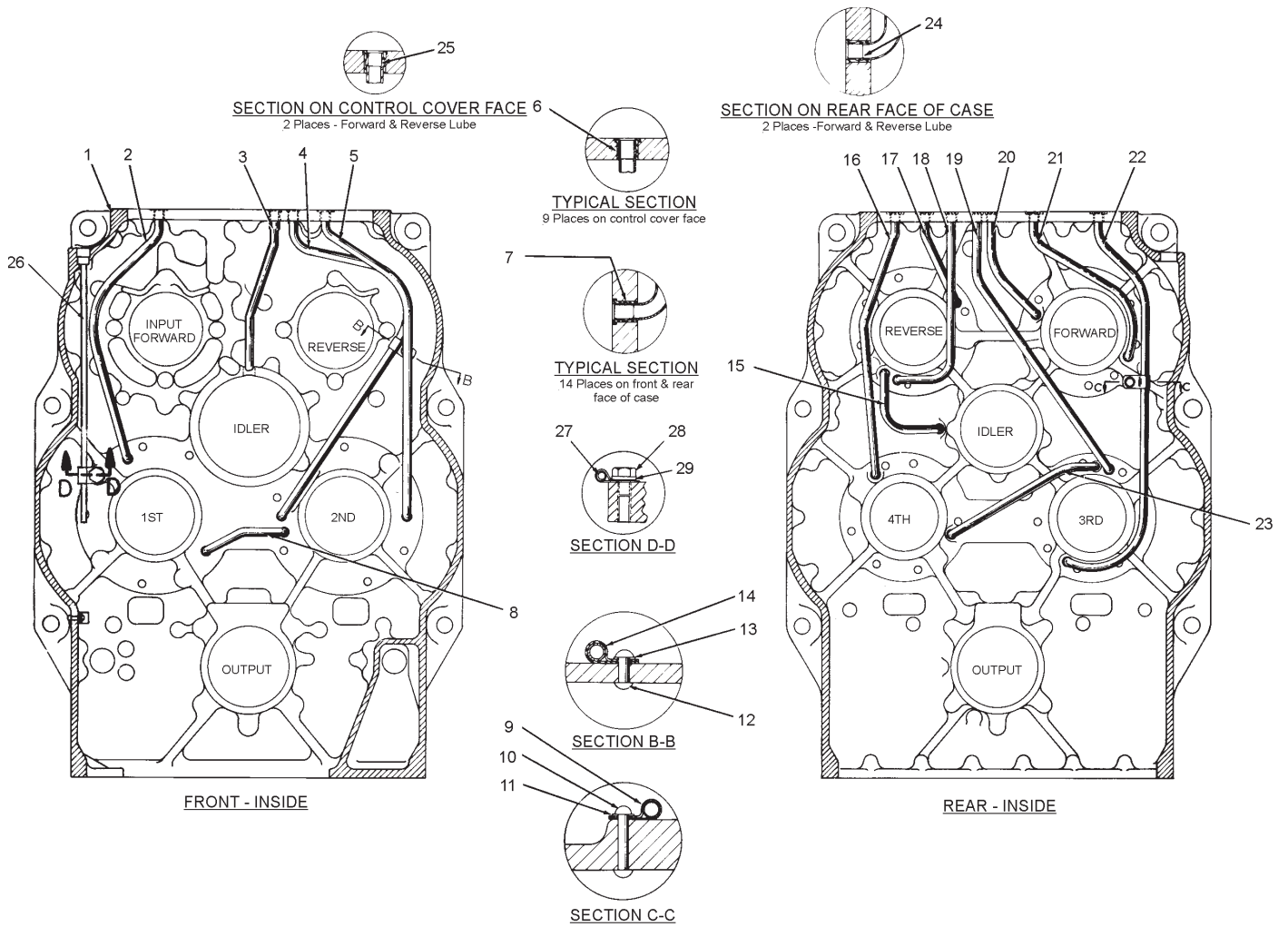
*a Included in 587623 Service Kit

A/R As Required

N/I Not Illustrated



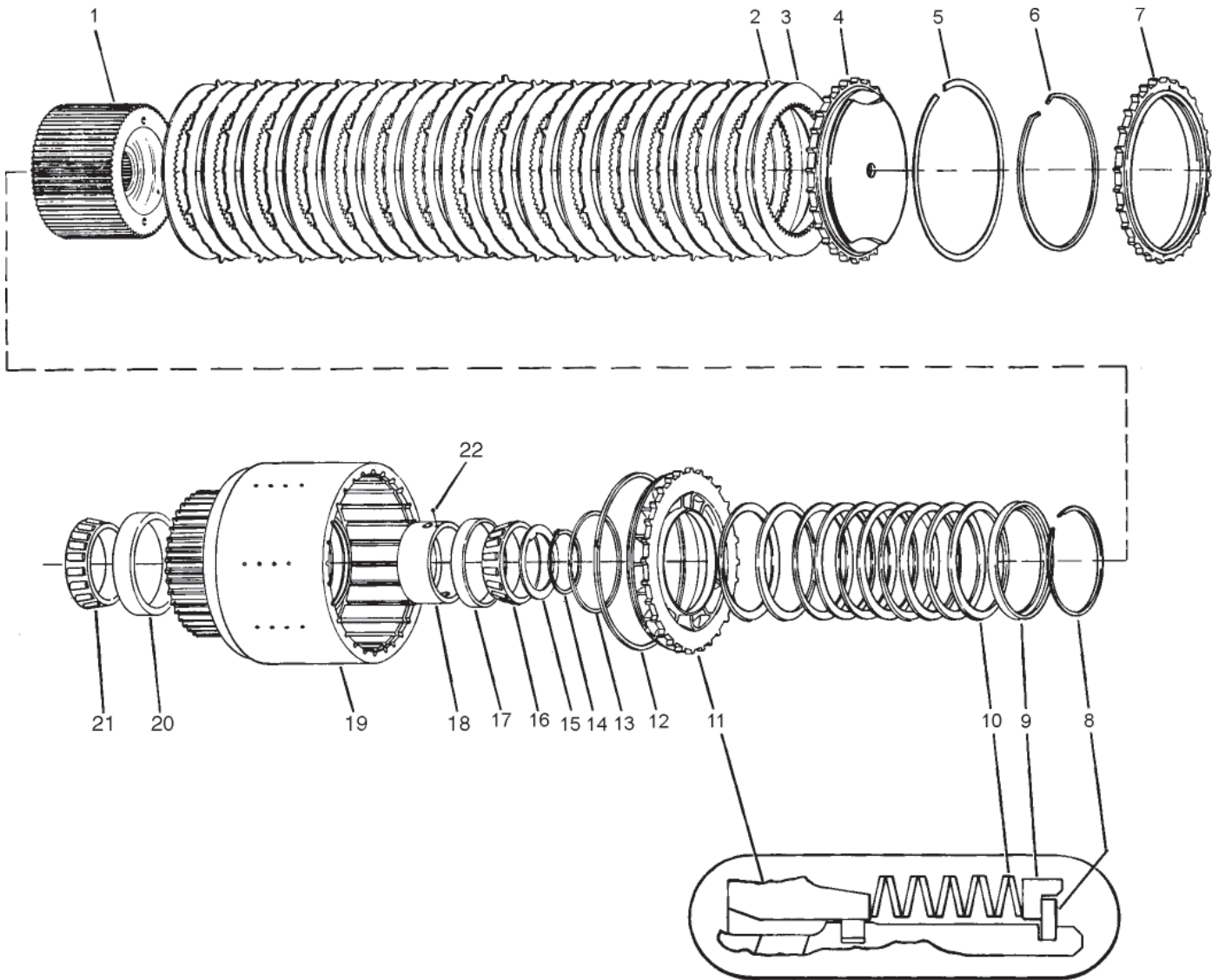
Transmission Case Assembly



Item	Part No.	Qty	Description	Item	Part No.	Qty	Description
228715 Transmission Case Assembly							
1	NSS	1	. Case	17	216958	1	. Tube
2	216948	1	. Tube	18	227844	1	. Tube
3	228730	1	. Tube	19	227845	1	. Tube
4	216950	1	. Tube	20	228732	1	. Tube
5	216951	1	. Tube	21	216962	1	. Tube
6	212320	9	. Tube Sleeve	22	216963	1	. Tube
7	212320	14	. Tube Sleeve	23	216964	1	. Tube
8	216952	1	. Tube	24	219757	2	. Tube Sleeve
9	212323	1	. Tube Clip	25	219757	2	. Tube Sleeve
10	216953	1	. Rivet	26	245569	1	. Tube
11	223221	2	. Washer	27	238098	1	. Tube Clip
12	591502	1	. Rivet	28	222449	1	. Screw
13	223221	1	. Washer	29	200604	1	. Lockwasher
14	212323	1	. Tube Clip				
15	228731	1	. Tube				
16	216957	1	. Tube				

NSS Not Sold Separately

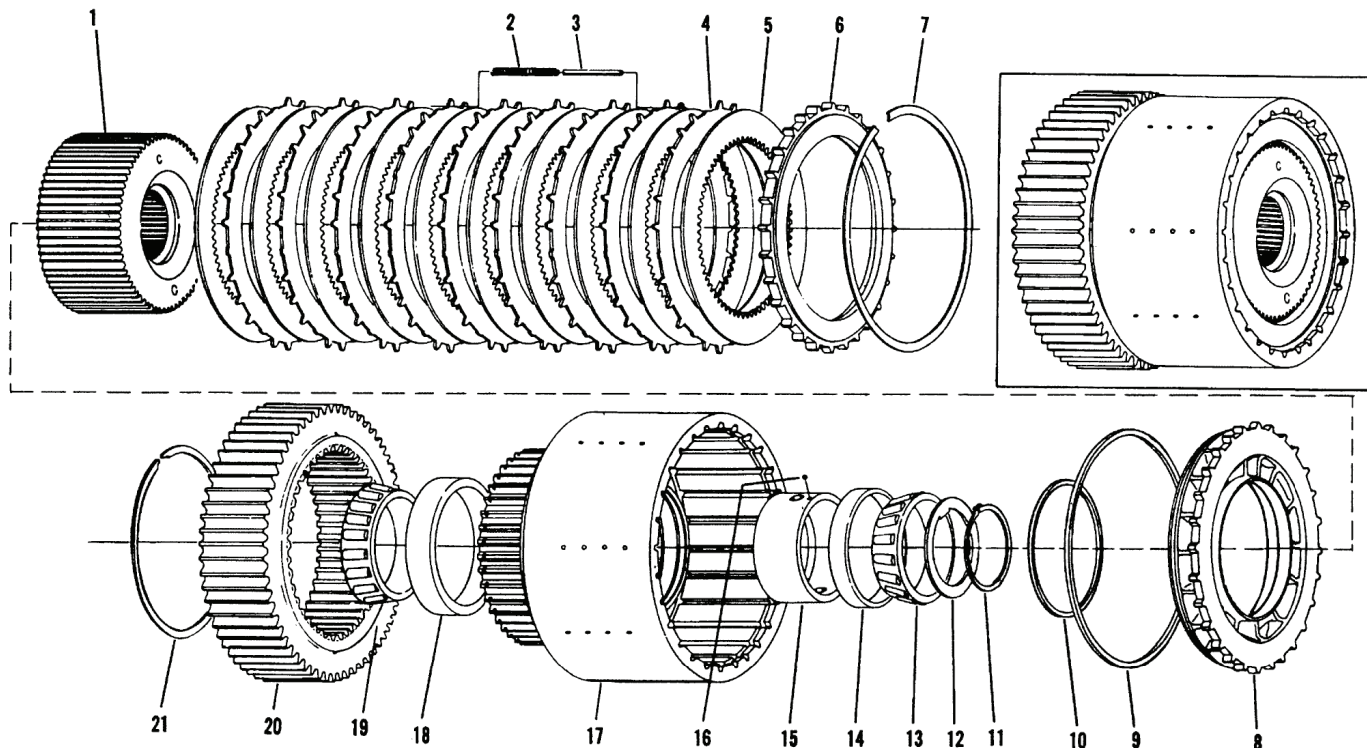
Input (Forward), Reverse Clutch Group



Item	Part No.	Qty	Description	Item	Part No.	Qty	Description
Input (Fwd.), Rev. Clutch Group							
1	228734	1	. Disc Hub & Washer Assembly	14C	*a 248628	A/R	. Ring, Retaining
2	228735	15	. Outer Disc	15	*a 234570	A/R	. Washer, Keyed
3	*b 591579	16	. Inner Disc	15A	*a 248630	A/R	. Washer, Keyed
4	228737	1	. End Plate	15B	*a 234571	A/R	. Washer, Keyed
5	*a 228738	1	. Snap Ring	15C	*a 248631	A/R	. Washer, Keyed
6	*a 228739	1	. Snap Ring	15D	*a 234572	A/R	. Washer, Keyed
7	228740	1	. Retainer	16	*a 228746	1	. Bearing
8	228741	1	. Snap Ring	17	*a 228747	1	. Bearing Cup
9	228742	1	. Retainer	18	217045	1	. Piston Ring Outer Race
10	228743	1	. Kit, Belleville Washer	19	238101	1	. Clutch Drum Assembly
11	228744	1	. Piston	20	*a R238483	1	. Bearing Cup
12	*a 238099	1	. Piston Ring	21	*a 228750	1	. Bearing
12A	*a 238100	1	. Expander Spring	22	212358	1	. . Ball
13	*a 212282	1	. Piston Ring				
14	*a 234568	A/R	. Snap Ring				
14A	*a 234569	A/R	. Snap Ring				
14B	*a 248629	A/R	. Ring, Retaining				

*a Included in 587623 Service Kit
 *b 591579 Inner Disc replaces obsolete 228736 Inner Disk.
 Do not combine different discs in assembly.

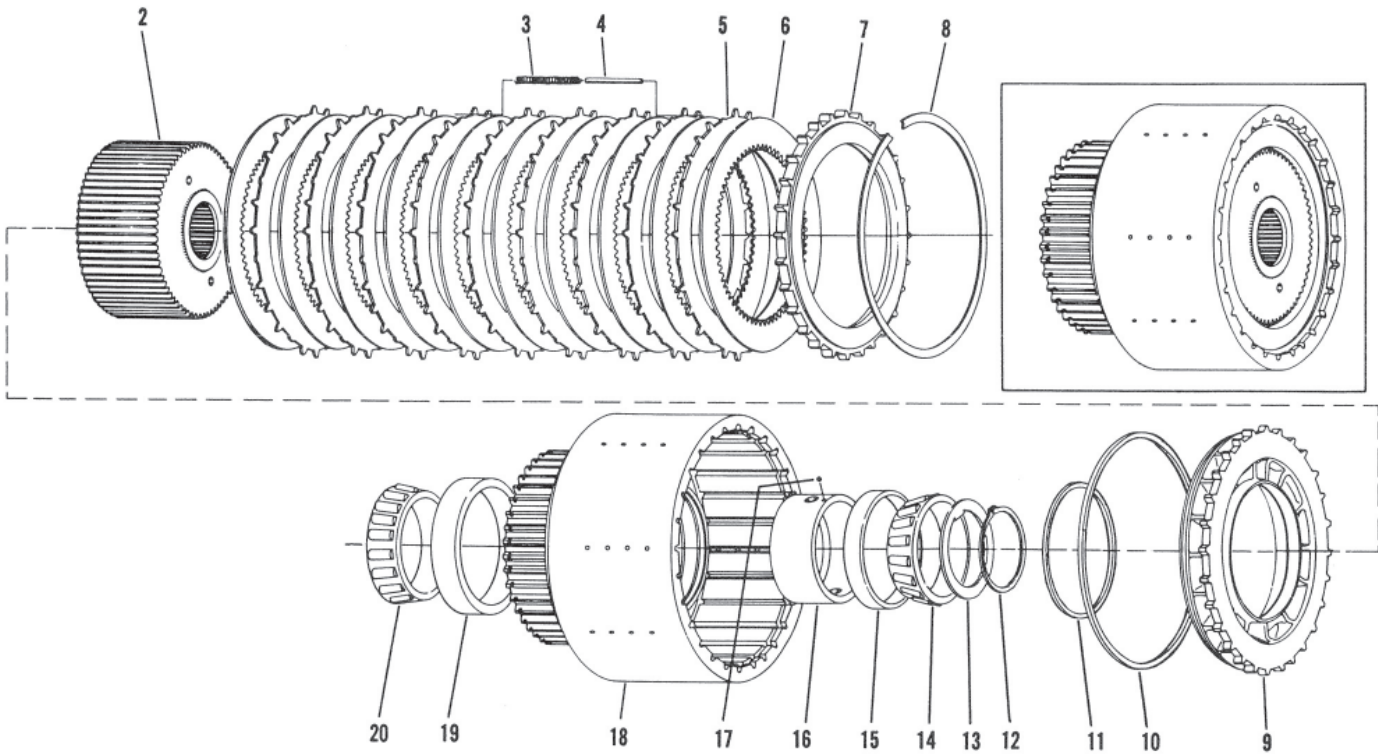
1st & 2nd Clutch Group



Item	Part No.	Qty	Description	Item	Part No.	Qty	Description
1st & 2nd Clutch Group							
1	238103	1	. Disc Hub Assembly	12	*a 238106	A/R	. Washer, Keyed
2	228752	8	. Spring	12A	*a 238107	A/R	. Washer, Keyed
3	228753	8	. Spring Pin	12B	*a 238108	A/R	. Washer, Keyed
4	R4095310	11	. Outer Disc	12C	*a 591573	A/R	. Washer, Keyed
5	591498	12	. Inner Disc	13	*a 228750	1	. Bearing Cone
6	212343	1	. End Plate	14	*a R238483	1	. Bearing Cup
7	*a 212348	1	. Snap Ring	15	228759	1	. Race, Piston Ring
8	228754	1	. Piston	16	228759	1	. . Ball
9	*a 228755	1	. Seal	17	212358	1	. Clutch Drum Asm
10	*a 228756	1	. Seal	18	*a 222872	1	. Bearing Cup
11	*a 238104	A/R	. Snap Ring	19	*a 222871	1	. Bearing Cone
11A	*a 238105	A/R	. Snap Ring	20	228761	1	. Gear
				21	*a 217032	1	. Snap Ring

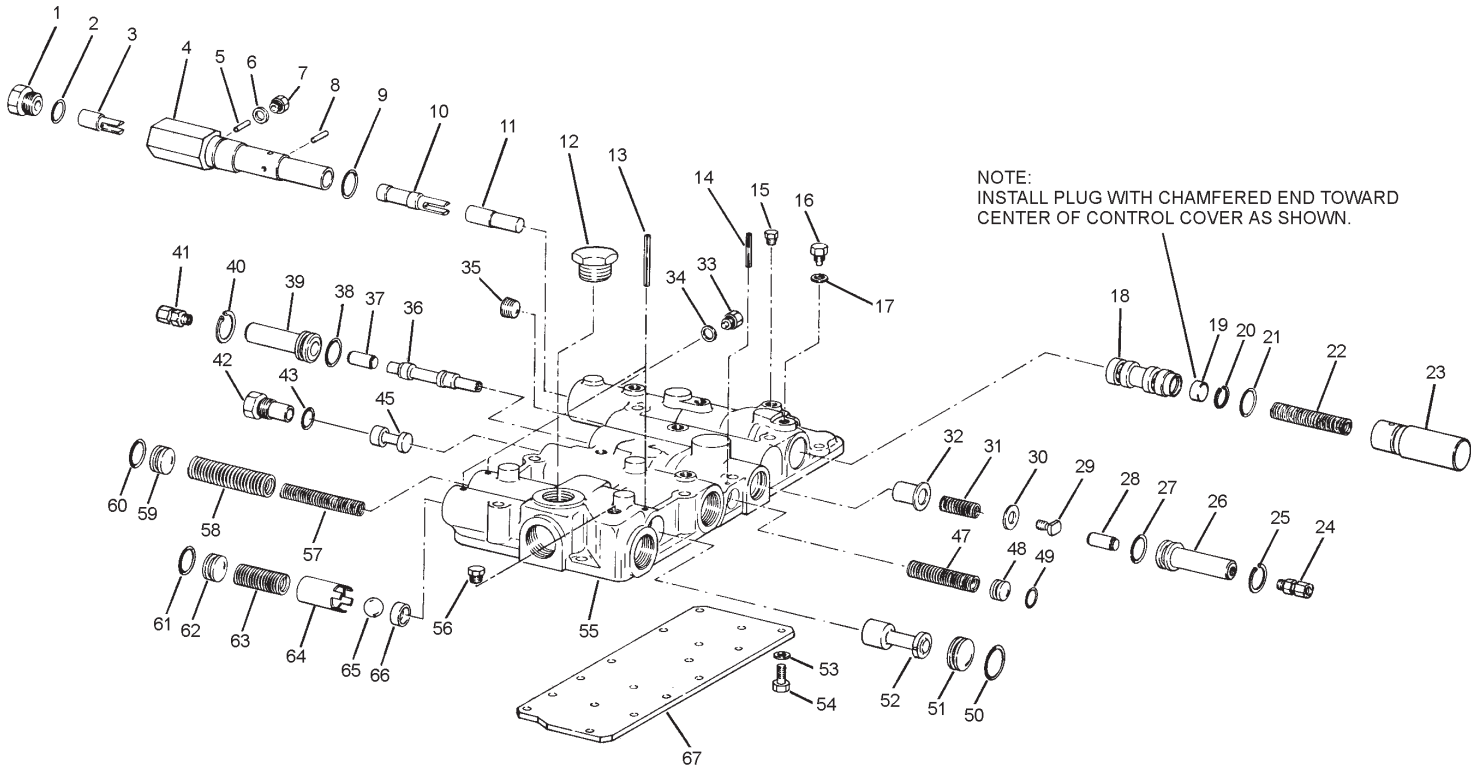
*a Included in 587623 Service Kit
 *b 591498 Inner Disc replaces obsolete 212342 Inner Disk.
 Do not combine different discs in assembly.

3rd & 4th Clutch Group



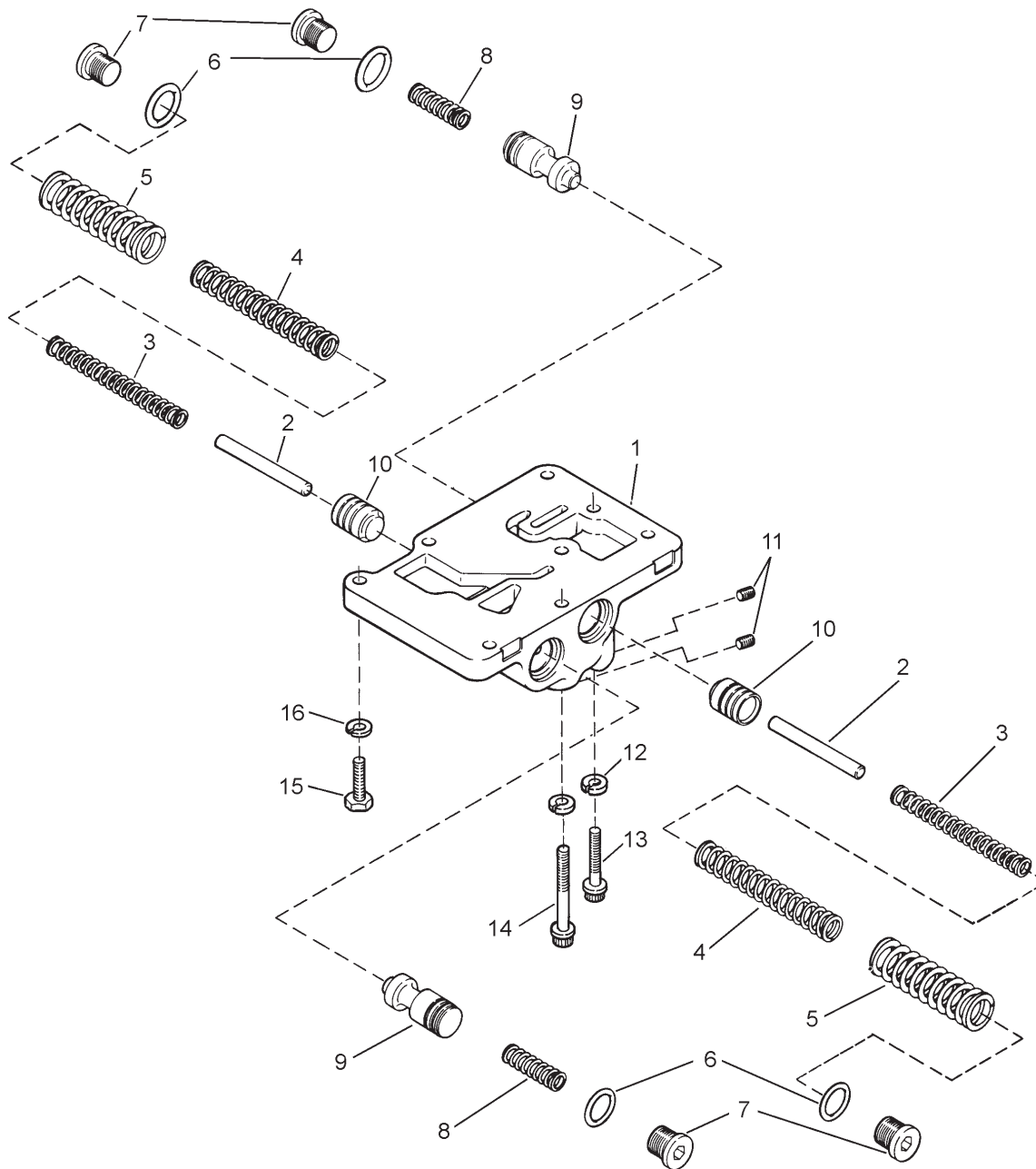
Item	Part No.	Qty	Description	Item	Part No.	Qty	Description
3rd & 4th Clutch Group							
2	234567	1	. Hub Assy, Disc	13B	*a 234571	AR	. Washer, Keyed, .146/.145 Thick
3	212339	6	. Spring, Disc	13C	*a 248631	AR	. Washer, Keyed
4	212340	6	. Pin	13D	*a 234572	AR	. Washer, Keyed
5	R4095205	9	. Disc, Outer	13E	*a 248632	AR	. Washer, Keyed
6	217036	10	. Disc, Inner	14	*a 228746	1	. Bearing Cone
7	217037	1	. Plate, End	15	*a 228747	1	. Bearing Cup
8	*a 217038	1	. Ring, Snap	16	*b 217045	1	. Race
9	217039	1	. Piston	17	*b 212358	1	. Ball, Steel
10	*a 217040	1	. Ring, Snap	18	238111	1	. Drum Assy, Clutch
11	*a 212282	1	. Ring, Piston	19	*a R238483	1	. Bearing Cup
12	*a 234568	AR	. Ring, Snap, .123/.122 Thick	20	*a 228750	1	. Bearing Cone
12A	*a 234569	AR	. Ring, Snap, .117/.116 Thick				
12B	*a 248629	AR	. Ring, Retaining				*a Included in 587623 Service Kit
12C	*a 248628	AR	. Ring, Retaining				*b Included in Item 18, 238111
13	*a 234570	AR	. Washer, Keyed, .150/.149 Thick				AR As Required
13A	*a 248630	AR	. Washer, Keyed, .148/.147 Thick				

Control Valve Assembly



Item	Part No.	Qty	Description	Item	Part No.	Qty	Description
238090 Control Valve Assembly							
1	219817	1	. Plug	38	*a 232257	1	. O-Ring
2	*a 16485W	1	. O-Ring	39	232256	1	. Fwd & Rev Piston Guide
3	234574	1	. 3rd Speed Valve	39A	N/I 243313	1	. Spacer
4	234575	1	. Shift Cylinder Housing	40	*a 212395	1	. Snap Ring
5	200824	1	. Valve Stop Pin	41	219839	1	. Adapter Union
6	*a 219821	1	. Washer	42	212383	1	. Valve Spool Stop Plug
7	219822	1	. Plug	43	*a 16485W	1	. O-Ring
8	200824	1	. Valve Stop Pin	45	217061	1	. Valve Spool
9	*a 217897	1	. O-Ring	47	212414	1	. Valve Spring
10	234576	1	. 2nd Speed Valve	48	212411	1	. Valve Stop
11	234577	1	. 1st Speed Valve	49	*a 203430	1	. O-Ring
12	234578	1	. Plug	50	*a 100153W	1	. O-Ring
13	201097	3	. Pin	51	212546	1	. Stop
14	212402	1	. Pin	52	227828	1	. Valve Spool
15	212401	3	. Plug	53	*b 200601	8	. Lockwasher
16	219826	1	. Plug	54	*b 200562	8	. Screw
17	*a 219827	1	. Washer	55	234587	1	. Control Cover
18	*c -----	1	. Selector Valve	56	209512	2	. Plug
19	*c -----	1	. Plug	57	*a 217076	1	. Spool Spring - Inner
21	*a 232257	1	. O-Ring	58	*a 217060	1	. Spool Spring - Outer
22	*a 234582	1	. Spring	59	212546	1	. Stop
23	234583	1	. End Plug Housing	60	*a 100153W	1	. O-Ring
24	219839	1	. Adapter Union	61	*a 100153W	1	. O-Ring
25	*a 212395	1	. Snap Ring	62	212546	1	. Stop
26	232256	1	. Fwd & Rev Piston Guide	63	*a 227829	1	. Spring
27	*a 232257	1	. O-Ring	64	217080	1	. Spacer
28	232258	1	. Fwd & Rev Piston	65	217078	1	. Ball
29	232259	1	. Cap Stop	66	217077	1	. Seat
30	232260	1	. Spacer	67	*b 228767	1	. Control Cover Plate
31	*a 232261	1	. Spring	68	N/I 217654	1	. Plug
32	234584	1	. Valve Spool Sleeve	69	N/I 227825	1	. Plug
33	219826	1	. Plug				
34	219827	1	. Washer				
35	212399	1	. Plug				
36	238113	1	. Valve Spool				
37	232258	1	. Fwd & Rev Piston				
				*a	Included in 587623 Service Kit		
				*b	Items 53, 54, 67 not included in Assembly		
				*c	Included in 591632 Selector Valve Kit		
				N/I	Not Illustrated		

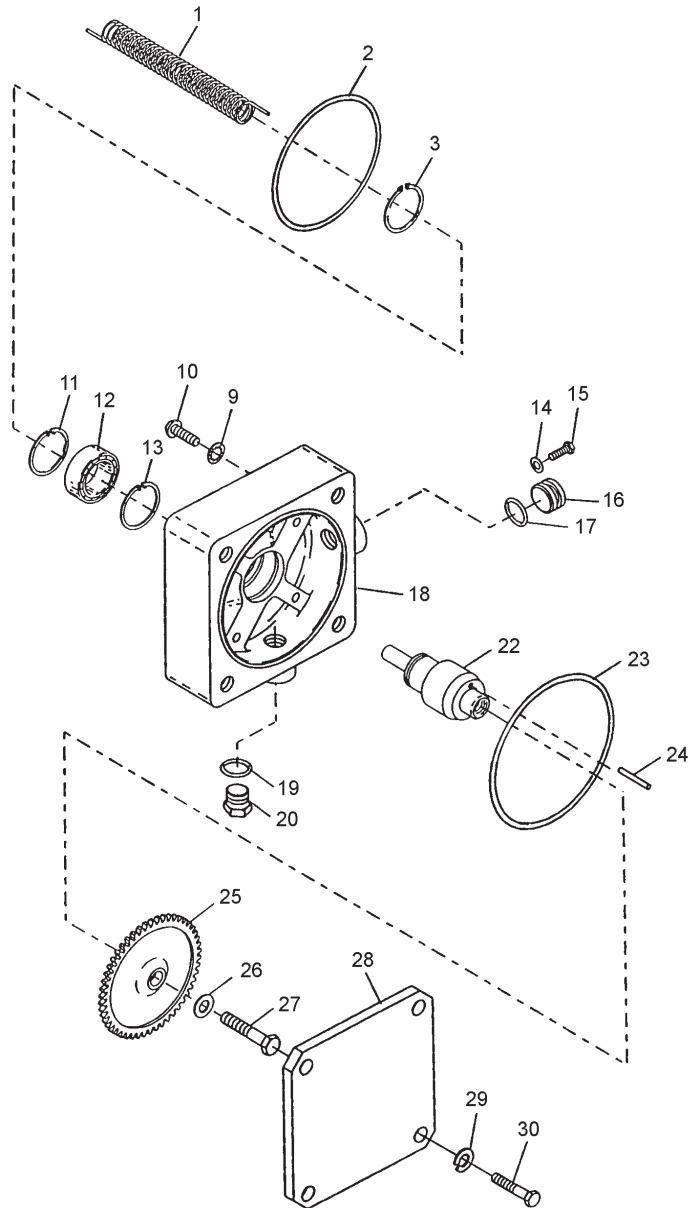
Modulator Valve Installation



Item	Part No.	Qty	Description	Item	Part No.	Qty	Description
Modulator Valve Installation							
1	228768	2	.. Modulator Valve Assembly	10	NSS	2	.. Accumulator Valve
2	228769	2	.. Stop Pin	11	R239243	2	.. Plug
3	228770	2	.. Spring, Inner	12	238114	3	.. Lockwasher
4	228771	2	.. Spring, Middle	13	238115	1	.. Screw
5	228772	2	.. Spring, Outer	14	238116	2	.. Screw
6	*a 16485W	4	.. O-Ring	15	238117	6	.. Screw
7	228773	4	.. Plug	16	238111	6	.. Lockwasher
8	228774	2	.. Spring				
9	NSS	2	.. Spool				

*a Included in 587623 Service Kit
 NSS Not Sold Separately

Speed Sensor Assembly



Item	Part No.	Qty	Description	Item	Part No.	Qty	Description
	*b 591586		Speed Sensor Assembly				
1	021-0294	1	. Spring, Bearing Drive	22	245076	1	. Drive Shaft
2	*a 15887W	1	. O-Ring	23	*a 57597W	1	. O-Ring
3	*a 245072	1	. Snap Ring	24	245077	1	. Pin, Spring
9	217798	4	. Lockwasher	25	245078	1	. Gear
10	245073	4	. Capscrew	26	218433	1	. Lockwasher
11	*a 241548	1	. Snap Ring	27	R13810856	1	. Capscrew
12	*a 241547	1	. Bearing	28	212492	1	. Cover
13	*a 241548	1	. Snap Ring	29	200604	4	. Lockwasher
14	248043	1	. Lockwasher	30	00179879	4	. Capscrew
15	R13802619	1	. Capscrew				
16A	*d 240531	1	. Plug				
16B	*e 228773	1	. Plug				
17A	*d 203430	1	. O-Ring				
17B*a,e	16485W	1	. O-Ring				
18A	*d 245074	1	. Housing				
18B*c,e	248044	1	. Housing				
19	*a 63105W	1	. O-Ring				
20	245075	1	. Plug				

*a Included in 587623 Service Kit
 *b 591586 replaces obsolete 245750 Speed Sensor Assy
 *c 248044 replaces obsolete 245074 Housing
 *d Used on all models except: L90F-622, L90C-326, L90C-327
 *e Used on: L90F-622, L90C-326, L90C-327