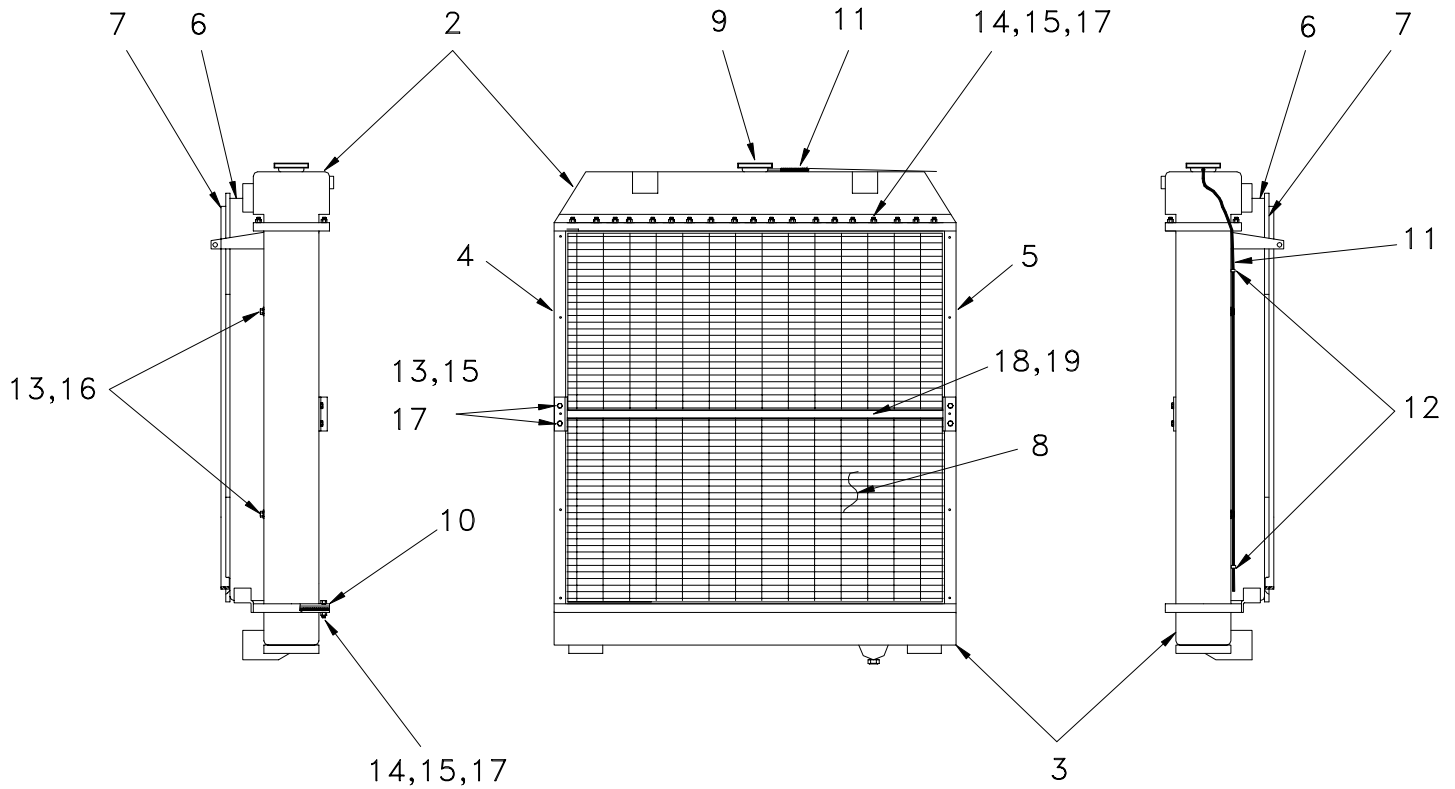
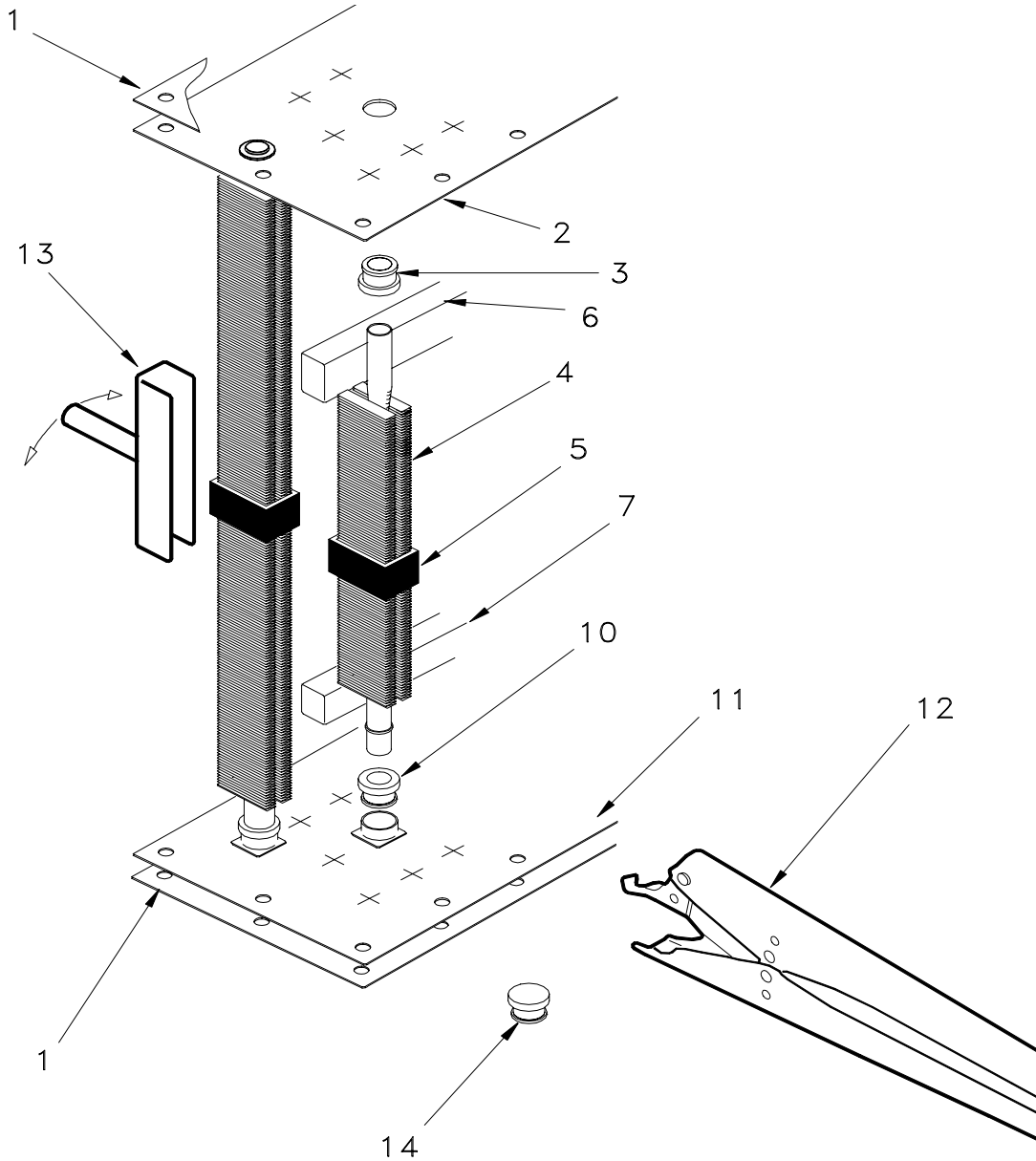


Radiator



Item	Part No.	Qty	Description	Item	Part No.	Qty	Description
239917 Radiator							
2	232975	1	. Inlet Tank	12	235405	2	. Hose Clip
3	227501	1	. Outlet Tank	13	201604	36	. Capscrew
4	227502	1	. Side Member, RH	14	222600	104	. Capscrew
5	227503	1	. Side Member, LH	15	201567	124	. Lockwasher
6	227504	1	. Shroud	16	230282	16	. Flat Washer
7	227505	1	. Fan Ring	17	231106	104	. Nut
8	240349	1	. Core Assembly (See Page 2)	18	-----	1	Support Bar, Front
9	235402	1	. Cap	19	-----	1	Support Bar, Rear Items 18 & 19 included on Core Asm, Pg 2, Items 8 & 9.
10	235403	4	. Strap				
11	235404	1	. Overflow Hose				

Core Assembly



Item	Part No.	Qty	Description	Item	Part No.	Qty	Description
	240349		Core Assembly				
1	227507	2	. Gasket	10	*a 226664	196	. Grommet, Bottom
2	-----	1	. Header Plate, Top	11	-----	1	. Header Plate, Bottom
3	*a 226663	196	. Grommet, Top				
4	*a 235409	196	. Tube				
5	241161	1	. . Tube Support	12	226671	A/R	. Installation Tool
6	227510	1	. Felt Baffle, Upper	13	226672	A/R	. Breaker Tool
7	227511	1	. Felt Baffle, Lower	14	226670	A/R	. Temporary Repair Plug
8	235406	1	. Support Bar - Frnt, Illustrated on Pg 1				
9	235407	1	. Support Bar - Rear on Pg 1				
							The Following Items Must Be Purchased Separately
							A/R As Required
							*a See Parts Marketing Bulletin PMB 9702